

GOVAL

FRANCE



DESIGN & MANUFACTURING



Valve

Butterfly, Gate, Ball & Check Valves



Overmeasures

Projects, Tenders, design office, engineering



Protection

Check Valve, filters, Air Release & Fittings



Motorization

Hydraulic, Pneumatic, Electrical, Assembly

Internal API / Custom tests & controls

CONTACT US



+33 (0)4 69 31 01 03



www.goval.fr



goval@goval.fr

BALL VALVE (Boisseau Sphérique)



MATERIAL POSSIBILITIES :

Body:

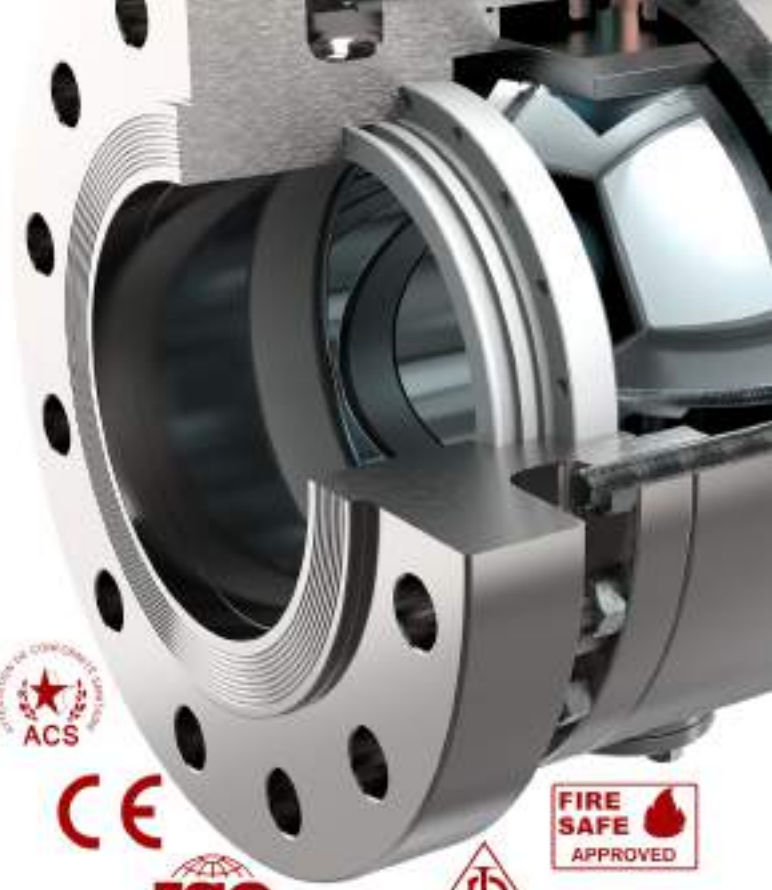
- A216 WCB / WCC
- Steel A105 / Allied
- SST 304L / 316L / Allied

Seal:

- PTFE
- EPDM
- Nylon
- Peek
- Metal/metal

Ball:

- Steel A105 ENP / Allied
- SST 304L / 316L / 410 / Allied



BUTTERFLY VALVE (Papillon)



Waffer Butterfly
PN10 - PN40



Wafer Double Excentric
PN10 - PN40
CL 150 - 300 Lbs



Double Flanged
PN10 - PN25



Double Excentric Double Flanged
PN10 - PN40



Forged Steel Gate
PN10 - PN100
CL 150 - 2500 Lbs



Cast Steel Gate
PN10 - PN100
CL 150 - 2500 Lbs



Cast Iron Gate
F4 - F5
PN10 - PN40



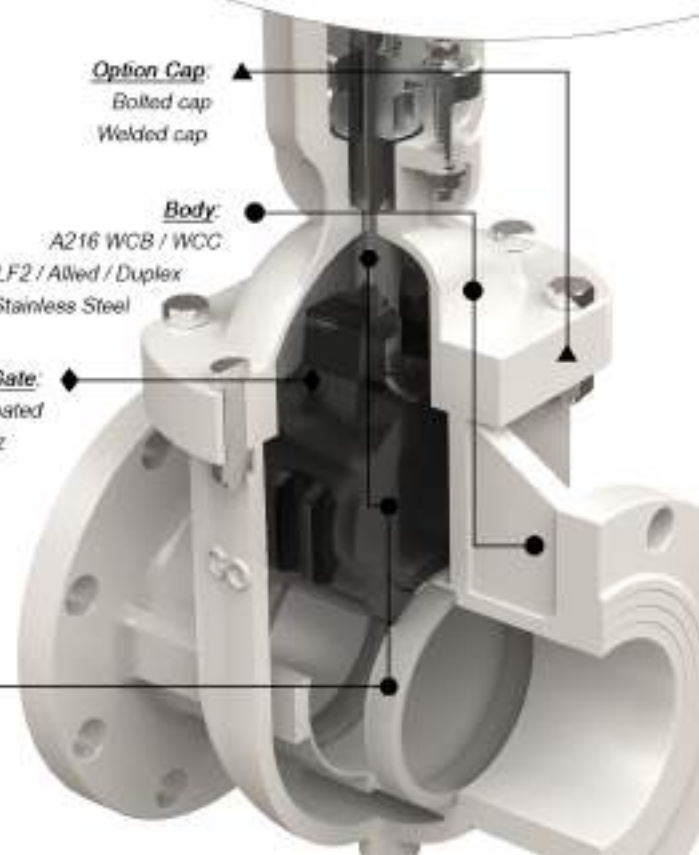
Body:
Cast Iron
A216 WCB / WCC
Stainless steel

Seal:
EPDM
PTFE
NBR
Hypalon
Nylon
Metal

Command:
Gearbox
Motorized
Manual Lever

Butterfly:
Uranus
Cast Iron
SST 304 / 316
A216 WCB / WCC

Type:
Centering lugs
Threaded ears



Option Cap:
Bolted cap
Welded cap

Body:
A216 WCB / WCC
Steel A105 / LF2 / Allied / Duplex
Stainless Steel

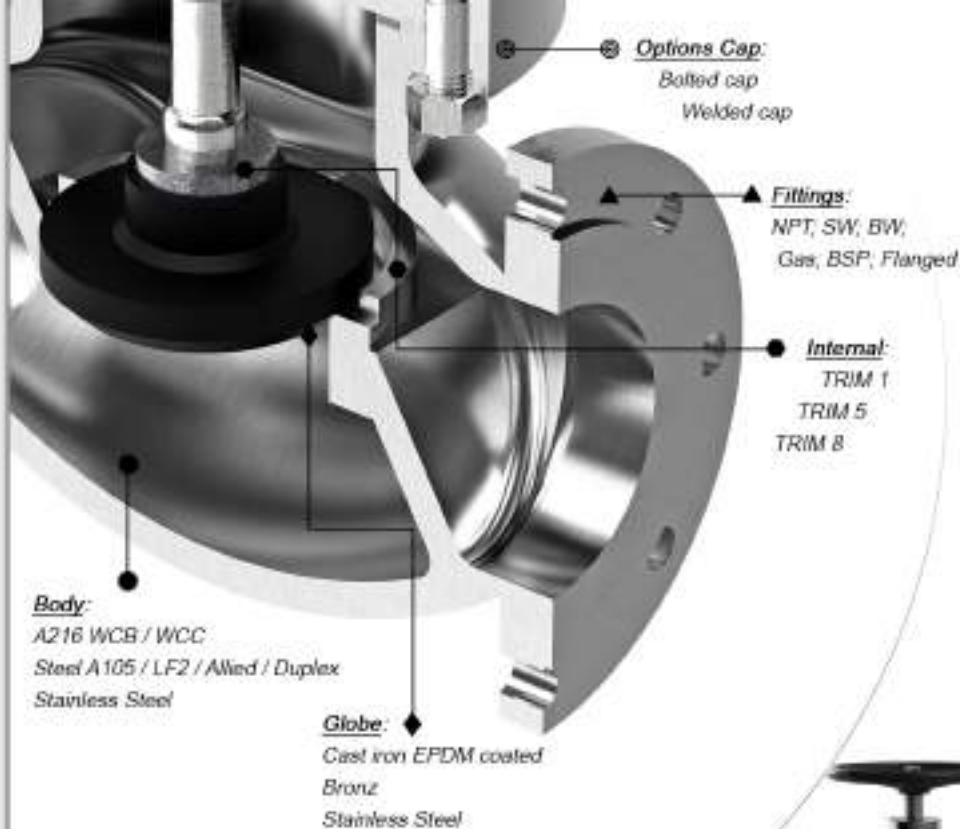
Gate:
Cast iron EPDM coated
Bronz
Stainless Steel

Fittings:
NPT, SW, BW,
Gas, BSP, ...

Internal:
- TRIM 1
- TRIM 5
- TRIM 8

GATE VALVE (Opercule)

GLOBE VALVE (Soupape)



Standards:



Fittings:
NPT, BSP, SW, BW,
Flanged, Gas, BSP

Body:
Cast iron
A216 WCB / WCC
Steel A105 / Allied
Stainless steel



Internal:
TRIM 1
TRIM 5
TRIM 8



***Ball :**
GGG50 + EPDM

***Plate :**
SST 316/304
Cast Iron

***Seal :**
EPDM
NBR



CHECK VALVE (Clapet Anti retour)

Y STRAINER (Filtre)

Cast Iron Strainer



PN10 - PN40
CL 150 - 300 Lbs

Forged Steel Strainer



PN10 - PN40

Connexions:
SW, BW, Flange,
BSP, Gas, NPT

Sieves:
SST 304L / 316L
Allied Stainless steel

Body:
A216 WCB / WCC
Steel A105 / LF2 / Allied / Duplex
Stainless Steel Allied / Unalloyed



AIR RELEASE (Ventouse)

Single Function



Dual Function



Triple Function



PN10 - PN40 + Body CI GGG50 + Ball Cast Iron EPDM Coated

CONNEXION (Raccordement)

Rubber Expansion



PN10 - PN40

Dismantling Joint



PN10 - PN40

Flange Adaptor



PN10 - PN40



CAST IRON FITTING

Tee (Reducing / Equal)
Elbow 45° / 90°
Reducing
Cross
Coupling

OUR
STANDARDS



WHO WE ARE ? ———

Located in the Rhône-Alpes region since 2011, Goval France stands out among the major players in the industry and supply sectors of water. Present in a majority of countries internationally, our brand and our production quality allows us to meet most of the constraints of our partners.

——— OUR SERVICES



Technical Valuation



Reactivity



Standards & Certifications



Export



Disponibility



Internal Tests & Controls

OUR SECTORS :



Chemistry



Energy



Fire



Hydraulic

FRENCH VALVES MANUFACTURER

COMPANY OF
GROUP
GOTREX

CONTACT US

goval@goval.fr
+33 (0)4 69 31 01 03

DOWNLOAD ME : [HD](#) / [BD](#)

WWW.GOVAL.FR