

April 2009

Types P650, P163A, and P164A Cable Actuators

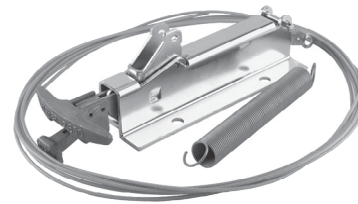


WARNING

Failure to follow these instructions or to properly install and maintain this equipment could result in an explosion, fire, and/or chemical contamination causing property damage and personal injury or death.

Fisher® equipment must be installed, operated, and maintained in accordance with federal, state, and local codes and manufacturer's instructions.

Only personnel trained in the proper procedures, codes, standards, and regulations of the applicable industrial service should install and service this equipment.



TYPE P650



TYPE P163A OR P164A

Figure 1. Types P650, P163A, and P164A Cable Actuators

Introduction

Scope of the Manual

This manual covers instructions for installation and maintenance of Types P650, P163A, and P164A cable actuators.

Description

Type P650 – Primary cable control for remote operation of all NPS 1-1/4, 2, and 3 (DN 32, 50, and 80) size Fisher internal valves. Assembly includes two fusible links, a return spring, a 20-foot (6,1-meter) cable, two cable clamps, a connector, and a machine screw.

Types P163A and P164A – Auxiliary remote release assemblies that permit closing the internal valve from a point other than at the primary cable control (Type P650). Identical except for cable length, the Type P163A is 25 feet (7,6 meters) and the Type P164A is 50 feet (15 meters). Both can be installed through mounting brackets up to 3/8-inch (9,5 mm) thick. Also included are casing and inner cable clamps.

Operation

There are three notches on the Type P650 control to give a travel of 4, 5, or 6-inches (102, 127, or 152 mm). All NPS 1-1/4 (DN 32) size Fisher internal valves require the Type P650 be set in the first notch (4-inch (102 mm) travel), and all NPS 2 and 3 (DN 50 and 80) size valves require the Type P650 be set in the third notch (6-inch (152 mm) travel) to assure adequate valve operating lever travel. To open the internal valve, pull the Type P650 handle to the correct notch. To close the valve, hold the handle and push in on the release knob.

In emergencies, the release knob on the Type P650 can be pushed to close the valve, but this procedure is not recommended for everyday usage. The internal valve can be closed from the auxiliary remote release points by pulling the Type P163A or P164A tee handle. After the auxiliary release has been operated and the internal valve has closed, push the Type P163A or P164A tee handle to its original position to reset the latching mechanism of the Type P650.

Fusible elements at the internal valve, primary cable control, and auxiliary remote release provide thermal release.



Types P650, P163A, and P164A

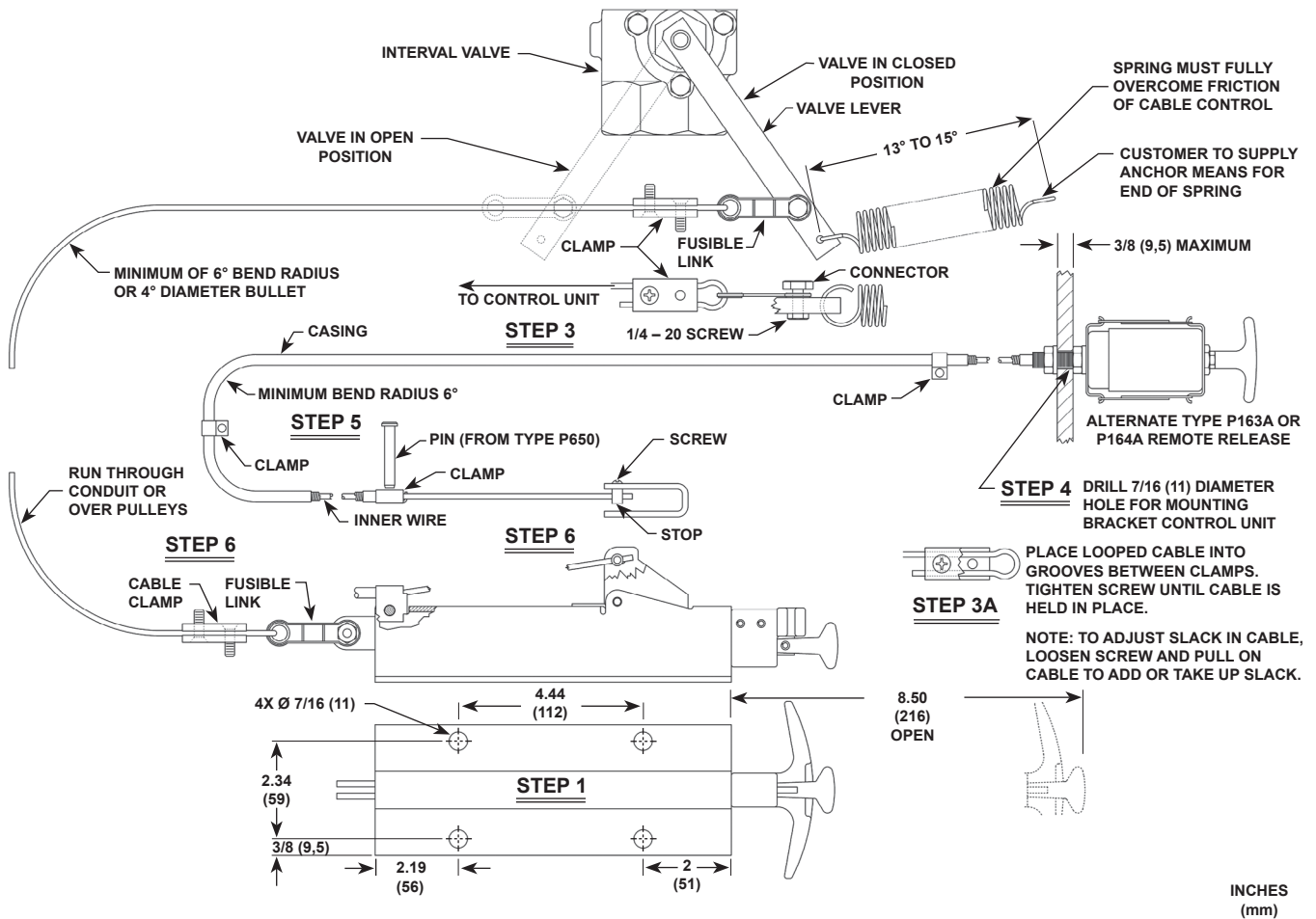


Figure 2. Installation Drawing

Installation

Refer to the installation drawing.

Step 1: Mount the Type P650 primary control at the desired location using four metal screws (not furnished) in the 7/16-inch (11 mm) diameter holes. Allow 8.5-inch (216 mm) additional space to permit full extension of the operating handle.

Step 2: Connect the cable and the fusible link to the Type P650 primary control as shown, and run the cable through conduit and/or pulleys to the operating lever on the internal valve.

Note

Minimum conduit bend radius of 6-inches (152 mm) and minimum pulley diameter of 4-inches (102 mm).

Step 3: Connect the fusible link and the cable to the internal valve's operating lever as shown. The cable slack must be adjusted as shown in Step 3A of the drawing in order to get the proper operating lever travel on the internal

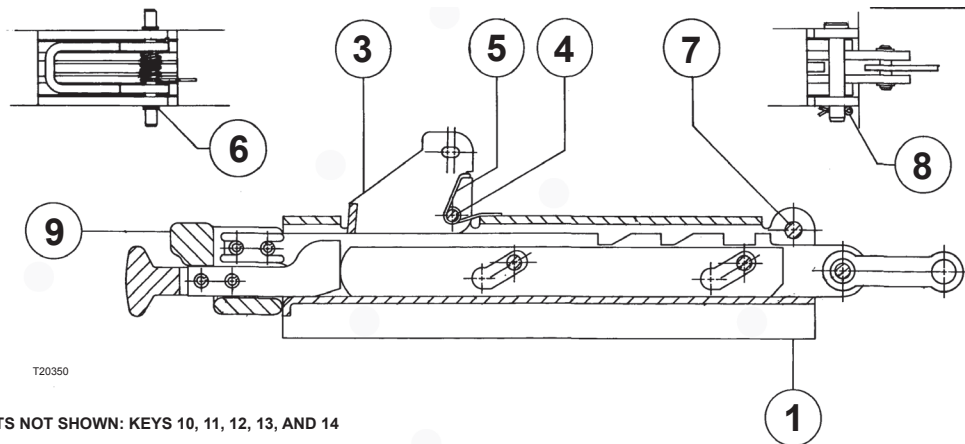
valve. The internal valve lever swings through a 70° arc (90° on the NPS 1-1/4 (DN 32) size valves) from the closed to the open position.

CAUTION

Make sure the Type P650 moves the operating lever to within 5° of the fully open position. Failure to adjust the opening correctly can cause premature excess flow closure during operation.

Check to see if the internal valve is open the required amount by manually moving the operating lever with the Type P650 latched in the required notch (see "Operation"). If the valve operating lever can be rotated further than 5° toward the open position, the cable must be tightened. The internal valve will close prematurely if sufficient operating lever travel is not obtained, but in all cases leave a small amount of travel from the full open position. The cable should be taut with the internal valve operating lever in the open position and the Type P650 latch in the required notch. There should be slack in the cable when the operating lever is in the closed position.

Types P650, P163A, and P164A



PARTS NOT SHOWN: KEYS 10, 11, 12, 13, AND 14

Figure 3. Type P650 Primary Cable Control Assembly

Attach the return spring to the operating lever as shown. The return spring must overcome the cable drag and close the internal valve when the control is released.

Step 4: To mount the Type P163A or P164A release, first select a location that meets DOT, NFPA Pamphlet 58, and/or state regulations. A 7/16-inch (11 mm) diameter hole is required to mount the assembly.

Step 5: Run the release cable to the Type P650 latch, making sure to secure the cable with clamps and keep a minimum bend radius of 6-inches (152 mm) in the cable.

Step 6: Pull the release handle (Type P163A or P164A) out about 1 foot (0,3 meter) so that inner cable will not be cut too short.

Step 7: Attach the casing clamp to the Type P650 rear pin as shown. Cut the Type P163A or P164A cable and housing to the proper length to reach through the casing clamp.

Step 8: Pull the inner wire back through the casing (push in the release handle). Remove about 1-inch (25 mm) of vinyl casing cover from the end of the housing. Thread the cable through the casing clamp and fit the housing into the clamp.

Step 9: Assemble the inner cable clamp and screw through the Type P650 latch as shown. Thread the inner cable through the clamp and tighten the screw.

Leave only enough slack in the cable to allow the Type P650 latch to engage the slide.

Check the following after completing the assembly:

1. The internal valve operating lever should be in the open position when the Type P650 handle is in the required notch.
2. The release assemblies (Type P163A or 164A) must be capable of deactivating the Type P650 primary control, closing the internal valve.
3. The internal valve must be completely closed with the primary control (Type P650) in the closed position.

Maintenance



Do not use internal valves and cable controls if they leak, fail to work properly or have been damaged or have missing parts. Prompt repairs should be made by a properly trained serviceman. Continued use without repair can create a hazardous or injurious situation.

A simple preventative maintenance program for the valve and its controls will eliminate a lot of potential problems.

Fisher recommends these steps be conducted once a month:

1. Inspect the operating lever and cable controls to see that they operate freely and that there is no leakage around the retainer nut. If there is sticking or leakage, replace the packing and bushings. Refer to internal valve instruction manual.
2. Check for tight closure of the internal valve seat disks regularly. Any leakage indicates a defect in the seat caused by wear or from dirt or scale lodging and embedding in the disks. To check for leakage, close the valve and exhaust downstream pressure. Close the first valve downstream from the internal valve, and note any pressure buildup between the closed valve and the internal valve by means of a pressure gauge. If leakage is indicated, both disks should be replaced. If piping is cold allow it to warm to ambient temperature.
3. All operating controls should be inspected, cleaned and oiled. Rust, corrosion, and dirt can make the controls inoperable. The controls should be checked to see that they fully open—but not over-travel—the internal valve operating lever and operates freely to close the valve.

Types P650, P163A, and P164A

INNER CABLE LENGTH:
 TYPE P163A: 25 FEET (7,6 METERS)
 TYPE P164A: 50 FEET (15 METERS)

CABLE HOUSING LENGTH:
 TYPE P163A: 24 FEET (7,4 METERS)
 TYPE P164A: 49 FEET (14 METERS)

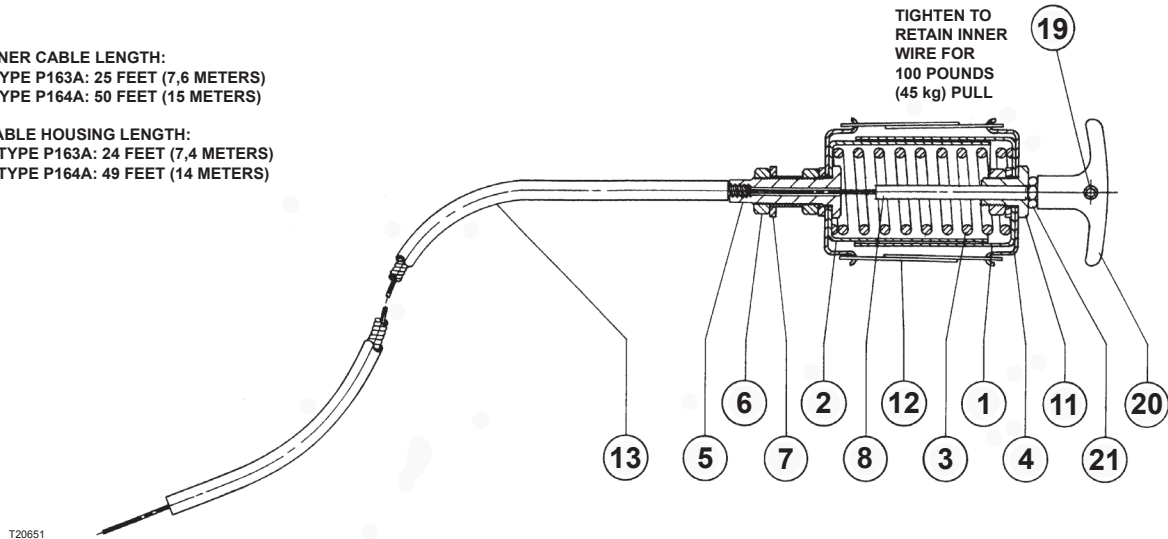


Figure 4. Types P163A and P164A Auxiliary Remote Release Assembly

Parts List

Types P650 and P651

Key	Description	Part Number
1	Body assembly, Plated steel	T1146799012
3	Latch, Steel	T1146948322
4	Pin, Steel	T1147048322
5	Spring, 302 Stainless steel	T1147137022
6	Retaining ring, 18-8 Stainless steel (2 required)	17A3038X012
7	Clevis pin, Steel	T1147328982
8	Cotter pin, Stainless steel	T1147428982
9	Control assembly, Plated steel	T20351000A2
10 ⁽¹⁾	Cable, Stainless steel [20 feet (6,1 meters)]	T1148899012
11 ⁽¹⁾	Clamps, Steel (2 required)	T1136928982
12	Connector, Steel	1K443324102
13	Machine screw, Steel	1B290524052
14	Spring, Stainless steel	1K443438992

1. Applicable for Type P650 only.

LP-Gas Equipment

Emerson Process Management Regulator Technologies, Inc.

USA - Headquarters
 McKinney, Texas 75070 USA
 Tel: 1-800-558-5853
 Outside U.S. 1-972-548-3574

For further information visit www.emersonprocess.com/regulators/lp

The Emerson logo is a trademark and service mark of Emerson Electric Co. All other marks are the property of their prospective owners. Fisher is a mark owned by Fisher Controls, Inc., a business of Emerson Process Management.

The contents of this publication are presented for informational purposes only, and while every effort has been made to ensure their accuracy, they are not to be construed as warranties or guarantees, express or implied, regarding the products or services described herein or their use or applicability. We reserve the right to modify or improve the designs or specifications of such products at any time without notice.

Emerson Process Management does not assume responsibility for the selection, use or maintenance of any product. Responsibility for proper selection, use and maintenance of any Emerson Process Management product remains solely with the purchaser.

Types P613A and P164A

Key	Description	Part Number
1	Upper spring guide, Aluminum	T1022110042
2	Lower spring guide, Aluminum	T1022210042
3	Spring, 302 Stainless steel	T1022337022
4	Fuse link retainer, Steel (2 required)	T1022425192
5	Mounting screw, Steel	T1022524102
6	Hex Jam nut, Steel (3 required)	1A680324122
7	lockwasher, Steel (3 required)	T1022628982
8	Stem, Stainless steel	T1022924102
11	Stem guide, Stainless steel	T1022835032
12	Fusible link (2 required)	1J157443992
13	Cable assembly	
	Type P163A	T13508T0012
	Type P164A	T13509T0012
14	Intermediate clamp (12 required)	1L267406992
15	Machine screw, Steel	1A954828992
16	Casing clamp, Steel	T12684T0012
17	Wire swivel stamp	T12686T0012
19	Set screw, Stainless steel	1C629828992
20	T-handle	T12564T0012
21	Machine screw nut	T1022724122