

June 2020

6350 and 6360 Series Pilot Construction

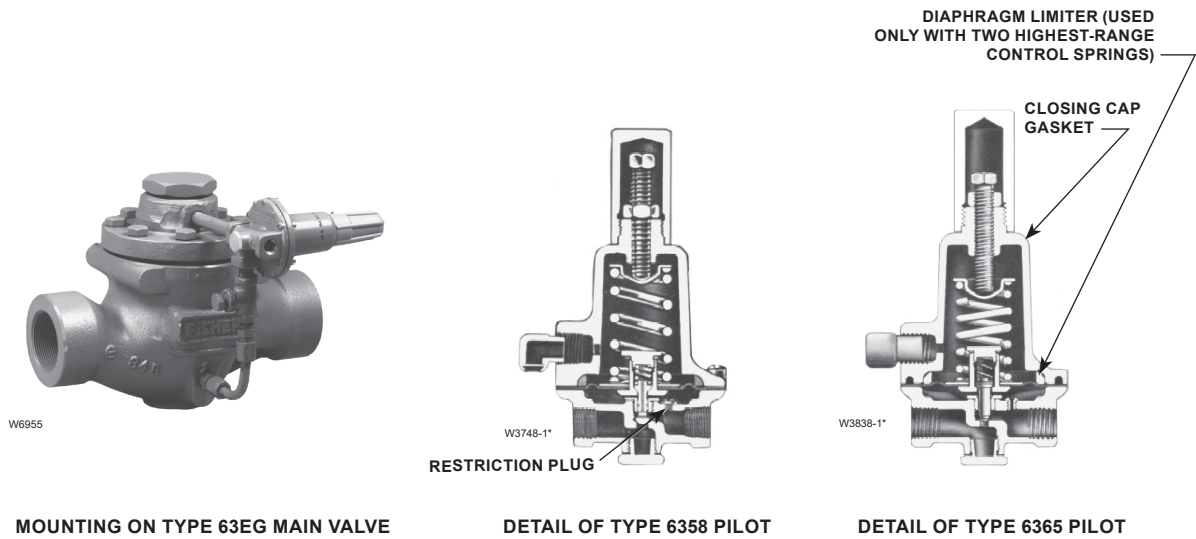


Figure 1. Typical Pressure Relief or Backpressure Pilot Constructions

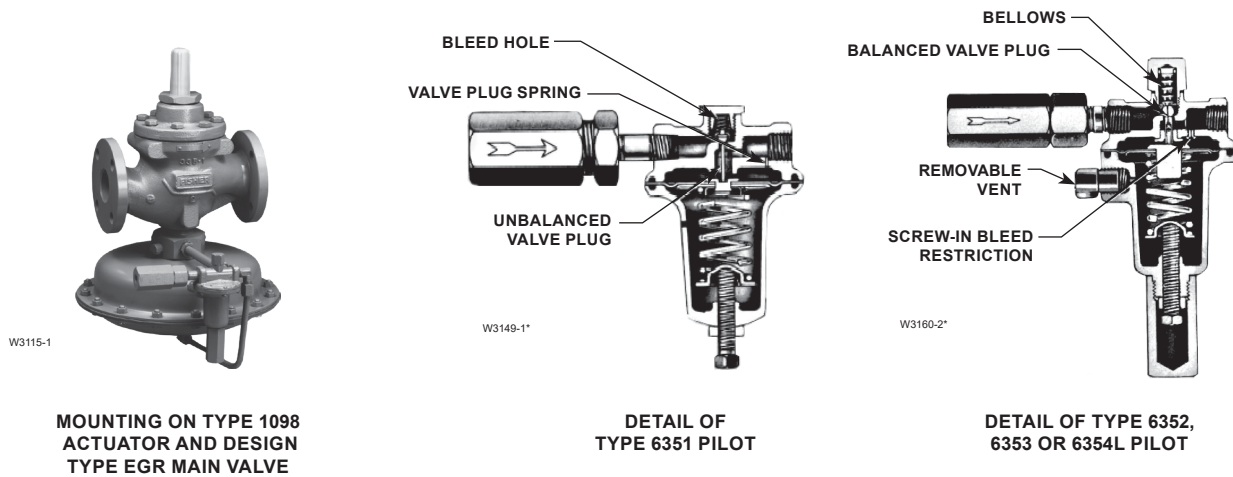


Figure 2. Typical Pressure Reducing Pilot Constructions

6350 and 6360 Series

Specifications

The Specifications section on this page provides the ratings and other specifications for the 6350 and 6360 Series. Factory specifications are stamped on the pilot spring case at the factory.

Available Configurations

See Table 1

Maximum Inlet Pressure⁽¹⁾

See Table 2 or 3, but cannot exceed maximum inlet pressure for complete regulator or relief valve, whichever is less

Outlet (Control) Pressure Ranges For Pressure Reducing Pilots

See Table 2

Set Pressure Ranges For Relief or Backpressure Pilots

See Table 3

Construction Materials

Type 6351 Pilot

Body, Body Plug and Spring Case: Aluminum
Valve Plug Stem: Brass (**standard**) or Stainless steel
Diaphragm, O-rings and Gaskets: Nitrile (NBR) (**standard**), Fluorocarbon (FKM) or Composition

Type 6352, 6353, 6354L, 6354M or 6354H Pilot

Body, Body Plug, Spring Case and Closing Cap: Aluminum (**standard**) or Stainless steel
Diaphragm: Nitrile (NBR), Fluorocarbon (FKM) or Ethylenepropylene (EPR)
Types 6354M and 6354H
Diaphragm Limiter: Aluminum
O-rings and Soft Parts: Nitrile (NBR) (**standard**) or Fluorocarbon (FKM)

Construction Materials (continued)

6358 Series Pilot

Body, Body Plug, Spring Case and Closing Cap: Aluminum (**standard**) or Stainless steel
Valve Plug and Stem: Nitrile (NBR) (**standard**) or Fluorocarbon (FKM) plug and stainless steel stem
Diaphragm: Nitrile (NBR) (**standard**) or Fluorocarbon (FKM)
Stem Guide and Valve Spring: Stainless steel
O-rings and Gaskets: Nitrile (NBR) (**standard**), Fluorocarbon (FKM) or Composition

Type 6365 Pilot

Body and Spring Case: Aluminum
Valve Plug and Stem: Polyethylene
Diaphragm: Nitrile (NBR)
Stem Guide and Valve Spring: Stainless steel
Control Spring: Plated steel

Filter (if used): Brass (Type P594-1 **standard**) or aluminum (Type P593-1)

Vents: Plastic

Process Temperature Capabilities⁽¹⁾

Standard Elastomers: -20 to 150°F / -29 to 66°C

High-Temperature Elastomers: 0 to 300°F / -18 to 149°C, except 0 to 180°F / -18 to 82°C for water service

Connections⁽²⁾

NPS 1/4 female

Approximate Weight

2 lbs / 1 kg

Additional Options

See Table 1

1. The pressure/temperature limits in this Bulletin and any applicable standard or code limitations should not be exceeded.

2. Connections threaded to various national or international standards can usually be supplied. Contact your local Sales Office.

Introduction

A 6350 or 6360 Series pilot (Figure 1 or 2) is typically used with one of several different main valves in a pressure reducing, pressure relief or backpressure application (see Table 1). All of these pilots can be used in gas service, and all except the Type 6351 pilot can be used in liquid service. All pilots described in this bulletin have an easily-installed valve plug that can be removed without removing the valve plug stem guide.

Construction

Refer to the Specifications section on this page. Review the description to the right of each specification and in the referenced tables; specify the desired selection wherever there is a choice to be made.

Always specify the type number of other desired equipment as well as the pilot. The standard-gain pilot restriction will be provided automatically unless an optional-gain restriction is ordered.

6350 and 6360 Series

Table 1. Available Configurations

CONSTRUCTION FEATURE		TYPE NUMBER				
		6351	6352, 6353, 6354L, 6354M, 6354H	6365	6358	6358B, 6358EB, 6358EBH
Unbalanced valve plug		X		X	X	X
Balanced valve plug (specify when rapidly changing loads or varying supply pressures are anticipated)			X			
Standard gain (will be provided unless otherwise specified)	Fixed restriction and no letter code on body	X				
	Field-changeable green-coded restriction screw and S stamped on body		X			
	Field-changeable yellow-coded restriction screw and H stamped on body			X		X
	Plugged restriction with bleed through valve plug				X	
Optional lower gain (field-changeable red-coded restriction screw and S stamped on body)				X		X
Optional low gain for liquid service and/or broader proportional bands	Threaded restriction without screw and with L stamped on body		X			X
Optional high gain for narrower proportional bands (such as with low-differential boiler fuel service)	Field-changeable red-coded restriction screw and H on body		X			
P590 Series filter	Standard	X	X			
	Optional			X	X	X
Standard spring case	Drilled no vent or closing cap	X				
	1/4 in. / 6.4 mm tapped with removable vent and gasketed closing cap for remote venting or for pressure loading applications		X	X	X	X
Handwheel	Optional		X			
Sour gas service constructions			X	X	X	X

Table 2. Outlet (Control) Pressure Ranges for Pressure Reducing Pilots

TYPE NUMBER		MAXIMUM INLET PRESSURE ⁽¹⁾		OUTLET (CONTROL) PRESSURE RANGE		PILOT CONTROL SPRING DATA	
		psig	bar	psig	bar	Color Code	Part Number
Without diaphragm limiter	6351	600	41.4	3 to 20	0.21 to 1.4	Green	1B986027212
	6352			5 to 35	0.34 to 2.4	Cadmium	1B788327022
				35 to 100	2.4 to 6.9	Red	1K748527202
	6353			14 in. w.c. to 2 psig	35 mbar to 0.14 bar	Yellow	14A9672X012
6354L	2 to 10			0.14 to 0.69	Black	14A9673X012	
With diaphragm limiter	6354M			3 to 40	0.21 to 2.8	Yellow	1E392527022
	6354H	35 to 100	2.4 to 6.9	Red	1K748527202		
		85 to 200	5.9 to 13.8	Blue	1L346127142		
	175 to 220	12.1 to 15.2	Blue	1L346127142			
	200 to 300	13.8 to 20.7	Green	15A9258X012			

1. Maximum inlet pressure for complete regulator, if less than this value, cannot be exceeded.

6350 and 6360 Series

Table 3. Set Pressure Ranges for Relief or Backpressure Pilots

PILOT TYPE	MAXIMUM INLET PRESSURE		SPRING RANGE ⁽¹⁾		PART NUMBER	SPRING COLOR
	psig	bar	psig	bar		
6365	50	3.45	14 in. w.c. to 2 psig	35 mbar to 0.14 bar	14A9672X012	Yellow
6358	150	10.3	3 to 18	0.21 to 1.24	1B986027212	Green
			10 to 40	0.69 to 2.76	1E392527022	Yellow
			20 to 125	1.4 to 8.62	1K748527202	Red
6358B			2 to 10	0.14 to 0.69	14A9673X012	Black
			3 to 18	0.21 to 1.24	1B986027212	Green
			10 to 30	0.69 to 2.07	1B788327022	Silver
			15 to 40	1.03 to 2.76	1E392527022	Yellow
			30 to 60	2.07 to 4.14	1B788427022	Blue
			10 to 125	0.69 to 8.62	1K748527202	Red
			6358EB	650	44.8	75 to 140
130 to 200	8.96 to 13.8	17B1263X012				Blue
180 to 350	12.4 to 24.1	17B1264X012				Red
6358EBH	250 to 450	17.2 to 31.0	17B1263X012			Blue
	400 to 600	27.6 to 41.4	17B1264X012			Red

1. Main valve may limit advertised spring range.

✉ Webadmin.Regulators@emerson.com

Facebook.com/EmersonAutomationSolutions

🔍 Fisher.com

LinkedIn.com/company/emerson-automation-solutions

Twitter.com/emr_automation

Emerson Automation Solutions

Americas

McKinney, Texas 75070 USA
T +1 800 558 5853
+1 972 548 3574

Europe

Bologna 40013, Italy
T +39 051 419 0611

Asia Pacific

Singapore 128461, Singapore
T +65 6777 8211

Middle East and Africa

Dubai, United Arab Emirates
T +971 4 811 8100

D100178X012 © 1983, 2020 Emerson Process Management Regulator Technologies, Inc. All rights reserved. 06/20.

The Emerson logo is a trademark and service mark of Emerson Electric Co. All other marks are the property of their prospective owners.

Fisher™ is a mark owned by Fisher Controls International LLC, a business of Emerson Automation Solutions.

The contents of this publication are presented for informational purposes only, and while every effort has been made to ensure their accuracy, they are not to be construed as warranties or guarantees, express or implied, regarding the products or services described herein or their use or applicability. All sales are governed by our terms and conditions, which are available upon request. We reserve the right to modify or improve the designs or specifications of such products at any time without notice.

Emerson Process Management Regulator Technologies, Inc does not assume responsibility for the selection, use or maintenance of any product. Responsibility for proper selection, use and maintenance of any Emerson Process Management Regulator Technologies, Inc. product remains solely with the purchaser.

