

October 2016

Vent Assemblies for Service Regulators and Miscellaneous Applications



TYPE Y602-1 (UMBRELLA TYPE)



TYPE Y602-13 (ANGLE TYPE)

Figure 1. Y602 Series Vent Assemblies

Introduction

Y602 Series vent assemblies help to prevent the obstruction of vent openings, allowing proper air or gas flow for regulator spring cases, remote vent lines, actuator diaphragm casings and miscellaneous applications. These vent assemblies are available in either angle or umbrella styles (Figures 2 and 3, respectively). Typically, angle vent assemblies protect vent openings that face sideways and umbrella type vent assemblies protect vent openings that face either up or down. Both styles provide protection to vent openings when carefully selected, installed and oriented so that the opening in the vent assembly faces downward.

Features

- **Weather-Resistant**—Double-lip moisture deflector of Y602 Series vents resists water bridging across vent opening. Vents resist plugging due to inclement weather such as rain, sleet and snow.

- **Bug-Resistant**—All Y602 Series vents have screened vent openings to resist insect entry and resultant clogging. Screened opening is larger than that of other available vents.
- **Stabilizer Helps Prevent Cycling**—Spring opposed stabilizer in vent outlet of selected Y602 Series vents restricts vent breathing rate, providing stability under normal conditions. Force of rapid discharge opens stabilizer when such discharges occur.

Ordering Information

When ordering a Y602 Series vent, specify the type number of the required vent and where the vent is to be used.

Y602 Series

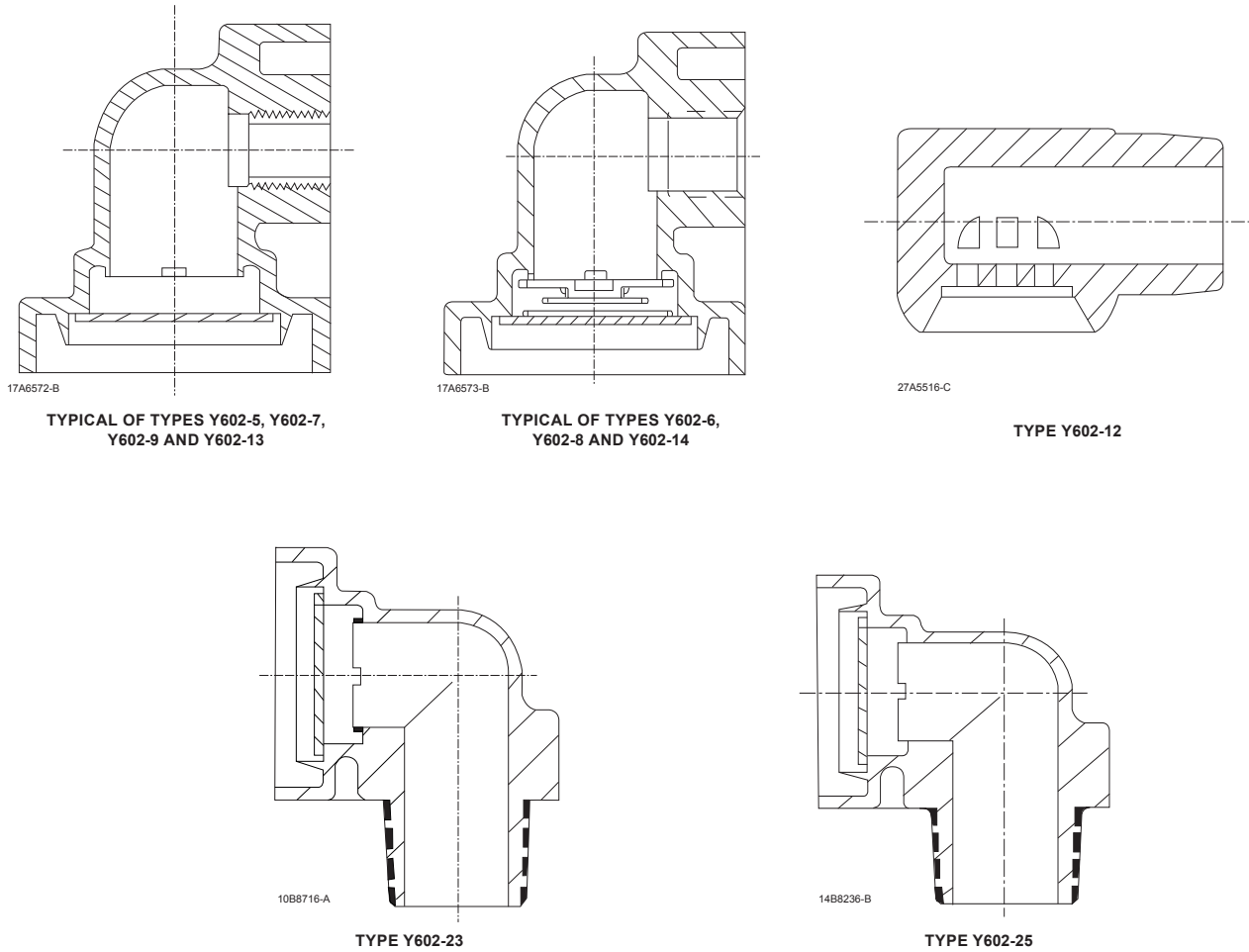


Figure 2. Y602 Series Angle Type Vent Assemblies

Table 1. Y602 Series Angle Type Vent Assemblies

VENT TYPE	END CONNECTION SIZES AND STYLES	VENT MATERIAL	STABILIZER ⁽¹⁾	BUG-RESISTANT	WEATHER-RESISTANT
Y602-5	3/8 NPT internal	Plastic	No	Yes	Yes
Y602-6	3/8 NPT internal	Plastic	Yes	Yes	Yes
Y602-7	1/2 NPT internal	Plastic	No	Yes	Yes
Y602-8	1/2 NPT internal	Plastic	Yes	Yes	Yes
Y602-9	3/4 NPT internal	Plastic	No	Yes	Yes
Y602-12	Drive fit in 1/4 NPT internal	Plastic	No	Yes	Yes
Y602-13	1/4 NPT internal	Plastic	No	Yes	Yes
Y602-14	1/4 NPT internal	Plastic	Yes	Yes	Yes
Y602-23	3/4 NPT external	Plastic	No	Yes	Yes
Y602-25	1 NPT external	Plastic	No	Yes	Yes

1. Stabilizer spring and stabilizer are stainless steel.

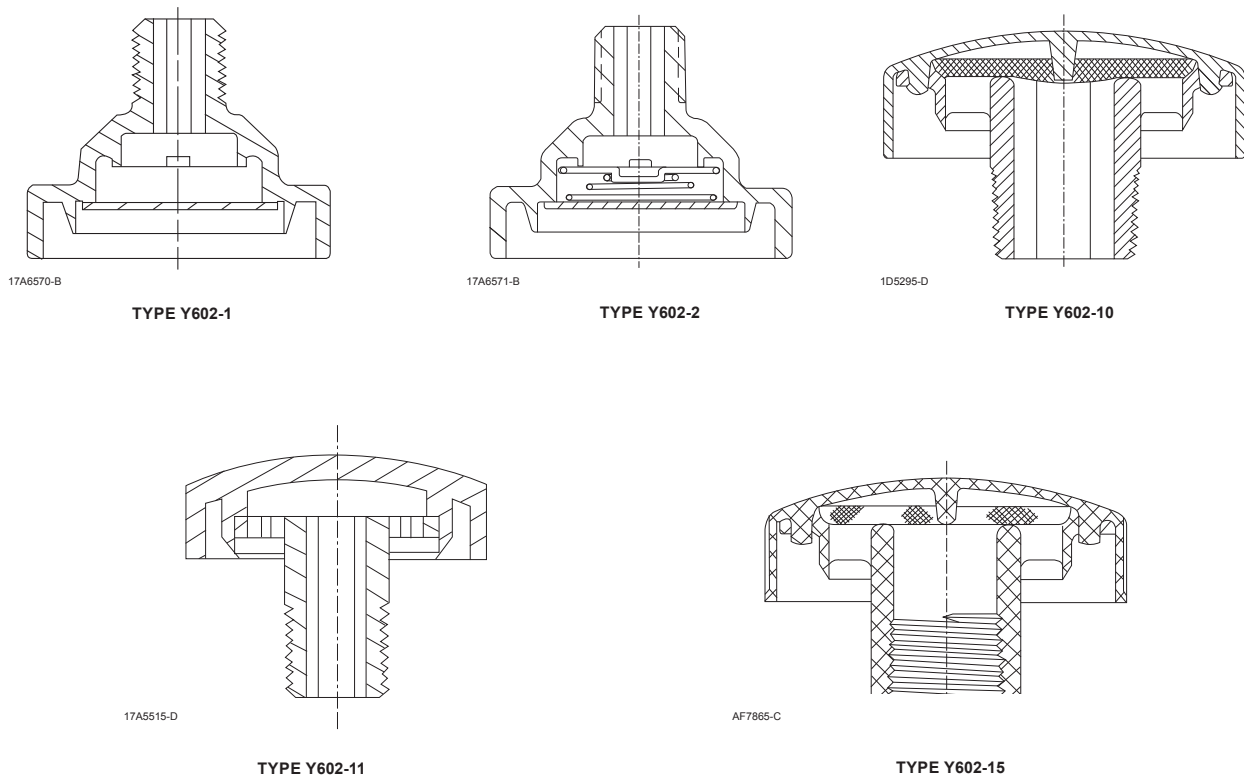


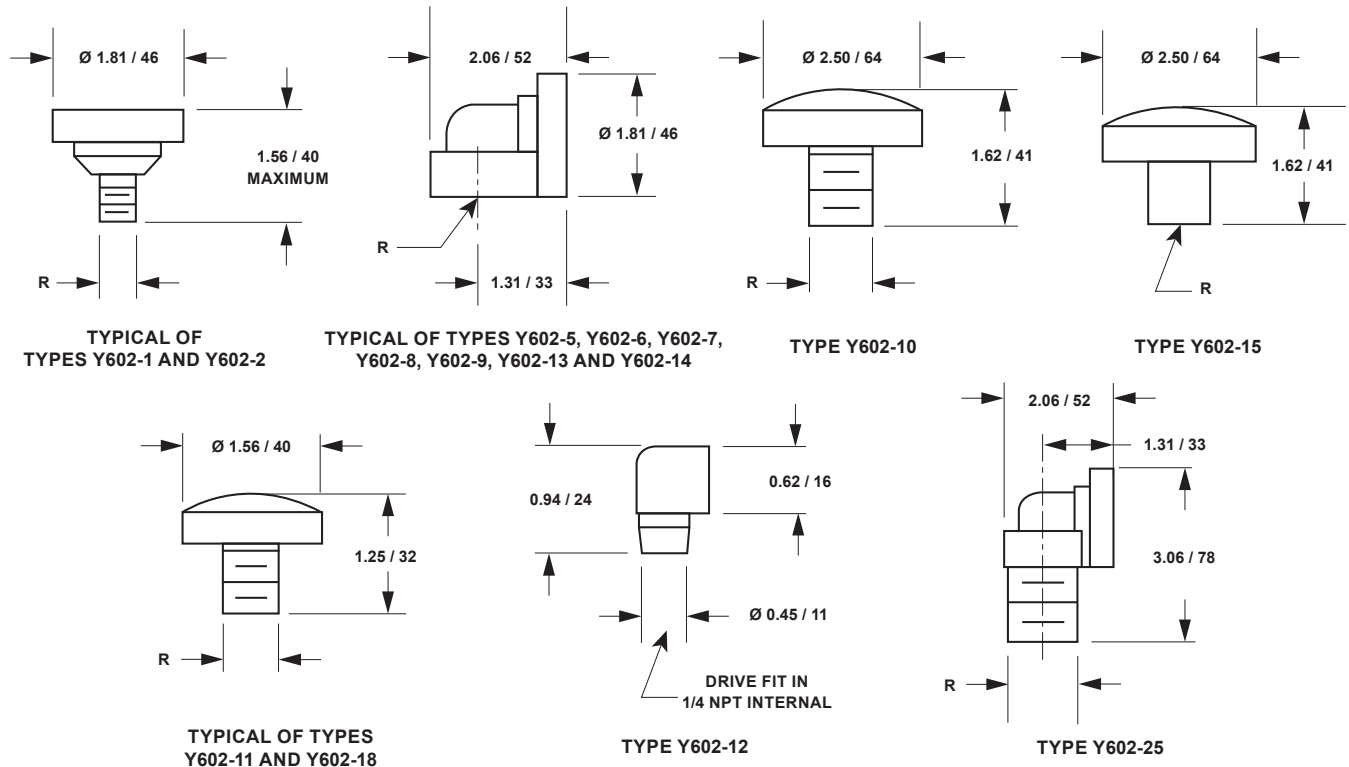
Figure 3. Y602 Series Umbrella Type Vent Assemblies

Table 2. Y602 Series Umbrella Type Vent Assemblies

VENT TYPE	END CONNECTION SIZES AND STYLES	VENT MATERIAL	STABILIZER ⁽¹⁾	BUG-RESISTANT	WEATHER-RESISTANT
Y602-1	1/4 in. NPT external	Delrin® 107 plastic	No	Yes	Yes
Y602-2	1/4 in. NPT external	Delrin® 107 plastic	Yes	Yes	Yes
Y602-10	3/4 in. NPT external	Zinc	No	Yes	Yes
Y602-11	1/4 in. NPT external	Plastic	No	Yes	Yes
Y602-15	1/2 in. NPT internal	Zinc	No	Yes	Yes

1. Stabilizer spring and stabilizer are stainless steel.

Y602 Series



15A6373-E

Note: R signifies end connections sizes. Refer to Figures 2 and 3 for the end connection sizes (R).

IN. / mm

Figure 4. Y602 Series Vent Assemblies Dimensions

✉ Webadmin.Regulators@emerson.com

Facebook.com/EmersonProcessManagement

🔍 Fisher.com

LinkedIn.com/company/emerson-automation-solutions

Twitter.com/emersonprocess

Emerson Automation Solutions Regulator Technologies

Americas

McKinney, Texas 75070 USA
T +1 800 558 5853
+1 972 548 3574

Europe

Bologna 40013, Italy
T +39 051 419 0611

Asia Pacific

Singapore 128461, Singapore
T +65 6770 8337

Middle East and Africa

Dubai, United Arab Emirates
T +971 4 811 8100

D100180X012 © 1982, 2016 Emerson Process Management Regulator Technologies, Inc. All rights reserved. 10/16.
The Emerson logo is a trademark and service mark of Emerson Electric Co. All other marks are the property of their prospective owners. Fisher™ is a mark owned by Fisher Controls International LLC, a business of Emerson Process Management.

The contents of this publication are presented for information purposes only, and while effort has been made to ensure their accuracy, they are not to be construed as warranties or guarantees, express or implied, regarding the products or services described herein or their use or applicability. All sales are governed by our terms and conditions, which are available on request. We reserve the right to modify or improve the designs or specifications of our products at any time without notice.

Emerson Process Management Regulator Technologies, Inc does not assume responsibility for the selection, use or maintenance of any product. Responsibility for proper selection, use and maintenance of any Emerson Process Management Regulator Technologies, Inc. product remains solely with the purchaser.

