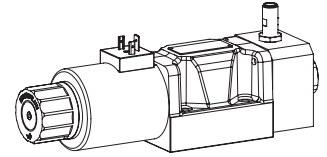


Solenoid operated spool valve with inductive switching position monitoring

NG10
ISO 4401-05

Flange construction

- ◆ 4/2-way impulse execution, detented
- ◆ 4/3-way with spring centered mid position
- ◆ 4/2-way with spring reset
- ◆ $Q_{max} = 160 \text{ l/min}$
- ◆ $p_{max} = 350 \text{ bar}$



DESCRIPTION

Spool valve according to data sheet 1.2-76 with additional inductive switching position monitoring. The contactless sensor transmits the spool position to a step signal.

TYPE CODE

	WD M F A10 - <input style="width: 100px;" type="text"/> <input style="width: 30px;" type="text"/> <input style="width: 30px;" type="text"/> # <input style="width: 30px;" type="text"/>
Spool valve, direct operated	<div style="border-left: 1px solid black; border-right: 1px solid black; border-bottom: 1px solid black; height: 100px; margin: 0 auto;"></div>
Slip-on coil Medium	
Flange construction	
International standard interface ISO NG10	
Other type designation according to type code data sheet 1.2-76	
Polarity /Signal output /Monitoring	
PNP / NO or NC	<input type="checkbox"/> P1
NPN / NO	<input type="checkbox"/> P2
Sensor side:	
4/2-way, only a-side	<input type="checkbox"/> a
4/2-way, only b-side	<input type="checkbox"/> b
4/2-way, both sides	<input type="checkbox"/> ab
4/3-way	<input type="checkbox"/> ab
Design index (subject to change)	

1.2-78

GENERAL SPECIFICATIONS

Weight	1,30 kg single flange
	2,60 kg double flange

Sensor Specifications:	
Operating voltage	10...36 VDC
Signal current	max. 200 mA
Protection class	IP 68 According to the connection type, the protection class of the valve can be lower, see data sheet 1.2-76
Dimensions	M12 x 1
Ambient temperature	-25...+70 °C
Fastening torque	15 Nm
Peak pressure	500 bar

Note! Other specifications, see data sheet 1.2-76


ACCESSORIES

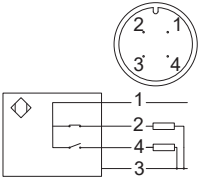
Mating connector (plug female)	
straight, screw terminal	Article no. 219.2978
90°, screw terminal	Article no. 219.3003

SURFACE TREATMENT

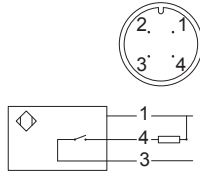
- ◆ The valve body is painted with a two component paint
- ◆ All the other parts are zinc-nickel coated

ELECTRICAL CONNECTION

Type:	PNP, NO (Normally open) or NC (Normally closed)
Designation:	P1
Article no.:	205.5028
Device receptacle	M12, 4 pole male 1 = Supply voltage + 2 = Signal NC 3 = Supply voltage 0 VDC 4 = Signal NO Plus switched
Mating connector (not included in delivery)	M12, 4 pole female



Type:	NPN, NO (Normally open)
Designation:	P2
Article no.:	205.5027
Device receptacle	M12, 4 pole male 1 = Supply voltage + 2 = Reserved for extensions 3 = Supply voltage 0 VDC 4 = Signal Minus switched
Mating connector (not included in delivery)	M12, 4 pole female

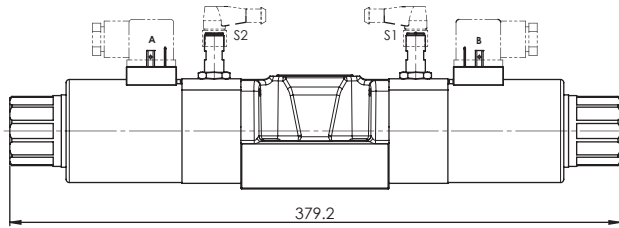

Signal characteristics

Signal of the actuator		Signal of the sensor			
		NO Normally open		NC Normally closed	
A	B	S1	S2	S1	S2
0*	0*	0*	0*	1*	1*
0	1	0	1	1	0
1	0	1	0	0	1

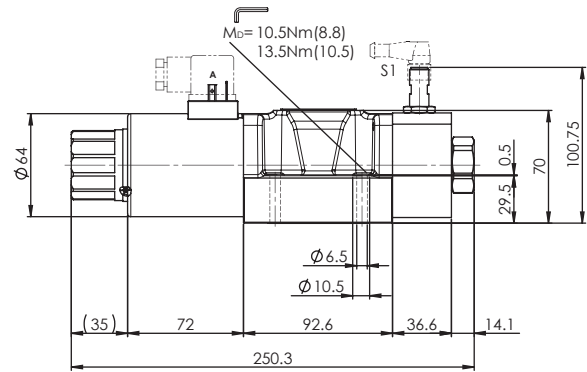
*Middle position 4/3-way

DIMENSIONS / SINGLE MONITORING

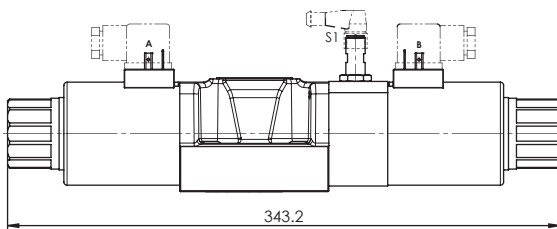
4/3-way spool valve (spring centred)



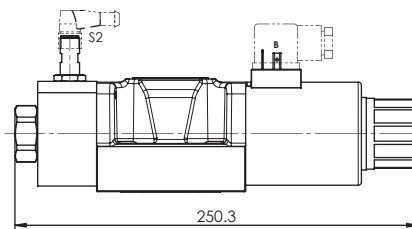
4/2-way spool valve (spring reset) operation A-side



4/2-way spool valve (impulse)

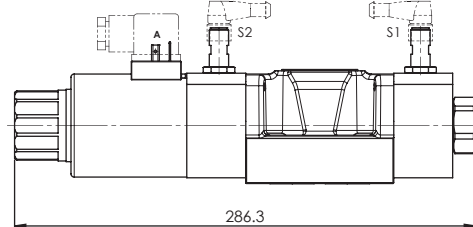


4/2-way spool valve (spring reset) operation B-side

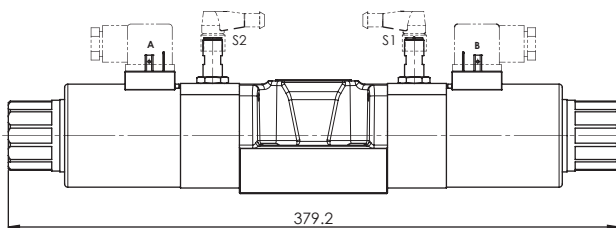


DIMENSIONS / DOUBLE MONITORING

4/2-way spool valve (spring reset) operation A-side



4/2-way spool valve (impulse)



4/2-way spool valve (spring reset) operation B-side

