

SK - SQ limit switch box series

Compact limit switch box for hazardous areas, with explosionproof protection method.

Features

- Twin shaft design
- Metallic self lubricant bushings
- Aluminium or 316L stainless steel housing option for maximum corrosion protection
- Two cable entries, either metric or imperial
- Adjustable mounting kit for NAMUR actuators available on request
- Easy wiring through the terminal PCB board
- Suitable for arctic environments

Approvals

ATEX, IECEx, EAC, CCOE, INMETRO:

Ex II 2GD Ex db IIC T4/T5/T6 Gb
 Ex tb IIIC T135/T100/T85°C Db
 Ta: -55 °C ≤ Ta ≤ 105 °C / 80 °C / 60 °C

UL (available on SK series only):

Class I Division 1 Groups A, B, C, D Division 2 Groups A, B, C, D
 Class II Division 1 Groups E, F, G Division 2 Groups F, G

SIL certificate: Up to SIL 3 certified by TÜV

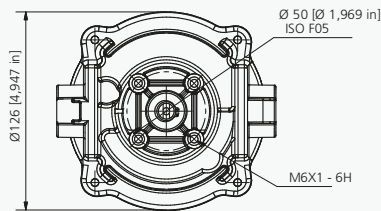
Protection rating: IP 66/68 15 m for 100 hours
 NEMA 4 X on request

Temperature:

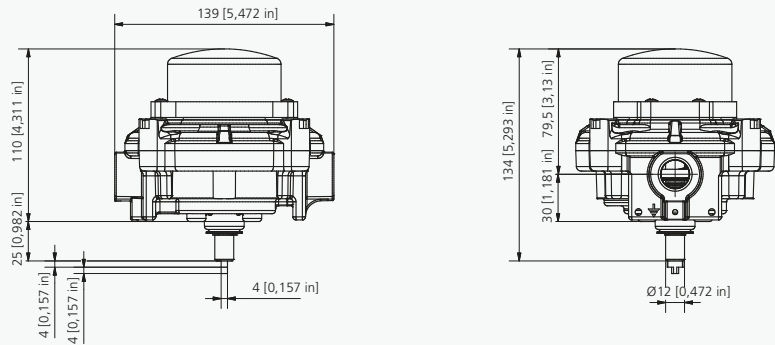
-40 to +80 °C (-40 to +176 °F) standard temperature range
 -55 to +105 °C (67 to +221 °F) available on request



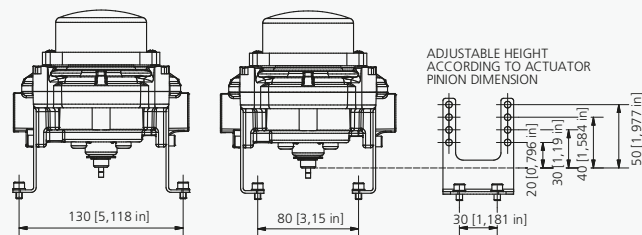
SK limit switch box



SQ limit switch box



Optional adjustable mounting kit for NAMUR actuators



SK - SQ limit switch box series

Nomenclature

SK N1 2 0 0 - 1 1 X 2 1 A 3

Box

SK = Die-cast aluminium enclosure
SQ = 316L stainless steel enclosure

Switch

01 = Electro mec. switch, SPDT, silver contacts, up to SIL3 (Switch qty: 2; Terminal digit: 0; temp digit: L)
03 = Electro mec. switch, SPDT, gold contacts, up to SIL3, Exia ready, (Switch qty: 1,2; Terminal digit: 0; temp digit: L)
06 = Electro mec. switch, SPDT, gold contacts, up to SIL3, Exia ready, (Switch qty: 1,2; Terminal digit: A; temp digit: L)
1F = Electro mec. switch, DPDT, silver contacts, up to SIL3 (Switch qty: 1,2; Terminal digit: A; temp digit: L)
C4 = Magnetic reed SPDT, hermetically sealed, up to SIL3, Exia ready, (Switch qty: 1,2; Terminal digit: 0; temp digit: L, M, N)
N1 = Mag. proximity SPDT silver hermetically sealed up to SIL3, (Switch qty: 1,2; Terminal digit: 0; temp digit: L, M)
N3 = Mag. proximity SPDT gold hermetically sealed up to SIL3, Exia ready, (Switch qty: 1,2; Terminal digit: 0; temp digit: L, M)
70 = Inductive NAMUR proximity NJ2-V3-N, 2 wire, up to SIL3, Exia ready, (Switch qty: 1,2; Terminal digit: 0; temp digit: E)
73 = Inductive proximity NBB2-V3-E2, PNP NO, up to SIL3, (Switch qty: 1,2; Terminal digit: 0; temp digit: F)
75 = Inductive proximity IS5026, 2 wire, NO /NC, (Switch qty: 1,2; Terminal digit: 0; temp digit: E)

See additional information and options on pages 14-19

Switch Quantity

2 = 2 switches

Terminals

0 = Prewired terminal strip with additional extra poles for solenoid valve connection (for switches 01, 03, C4, N1, N3, 70, 73, 75)
A = Prewired terminals without solenoid valve connection (for switches 1F, 06)

Coating

0 = Black powder coating (SK Series) Aluminium
E = Electro polish finishing (SQ Series) Stainless Steel

Cable Entries

1 = 2 cable entries 1/2" NPT
2 = 2 cable entries M20 x 1.5

Visual Position Indicator

0 = 3D plastic visual position indicator red and green
T = 3D stainless steel position indicator

See additional information and options on page 11

Approval

X = ATEX and IECEx certified box
G = EAC certification for Russian market
I = INMETRO certification for Brazilian market
N = NEPSI certification for Chinese market
J = CCOE certification for Indian market
U = UL certified box (only for SK series)
W = Weather proof

See additional information and options on page 13

Marking

0 = Standard location
2 = Certification marking: Ex II 2GD Exd IIC
7 = cULus Class 1/2 Div1 (only for SK series)
8 = cULus Class 1/2 Div 1/2 with switches code: C4, N1, N3. (Only for SK series)

See additional information and options on page 13

IP Protection rating

3 = Weather proof IP66/IP68
7 = NEMA 4 and 4X

Temperature

L = Ambient temperature range: -40 to +80 °C (-40 to +176 °F) standard for all switch options, excluding: 70, 73, 75
E = Ambient temperature range: -25 to +80 °C (-13 to 176 °F) standard for switch 70, 75
F = Ambient temperature range: -25 to +70 °C (-13 to +158 °F) standard for switch 73.
M = Ambient temperature range: -50 to +80 °C (-58 to +176 °F) extended temp range for switches N1, N3
N = Ambient temperature range: -55 to +80 °C (-67 to +176 °F) for switch code C4 (extended temp range for switches C4)

Material

3 = Die-cast aluminium heavy duty body and cover (on SK series)
7 = 316L stainless steel heavy duty enclosure (on SQ series)

Note: optional mounting kit for NAMUR actuators ordering code: KN07