

# Fisher™ FIELDVUE™ DVC6200 Digital Valve Controller / Magnet Assembly Dimensions

Digital Valve Controller	Configuration <sup>(1)</sup>	Mounting	Figure	Page
DVC6200 DVC6200 SIS DVC6200f DVC6200p	Integral mounting to the Fisher 657/667 size i or GX actuator Integral mounting to Fisher rotary actuators Sliding-stem linear applications Quarter-turn rotary applications	With integrally mounted filter regulator	1	1, 2
DVC6205 DVC6205 SIS DVC6205f DVC6205p	Remote mount base unit	---	2	3
DVC6215	Feedback unit	---	3	4

1. DVC6200 digital valve controllers can also be mounted on other actuators that comply with IEC 60534-6-1, IEC 60534-6-2, VDI/VDE 3845 and NAMUR mounting standards.

Magnet Assembly <sup>(1)</sup>	Figure	Page
Stem #19 19 mm / 3/4 inch	4	4
Stem #25 25 mm / 1 inch	5	4
Stem #38 38 mm / 1-1/2 inch	6	5
Stem #50 50 mm / 2 inch	7	5
SStem #110 110 mm / 4-1/8 inch	8	6
SStem #210 210 mm / 8-1/4 inch	9	6
RShaft #1 / LRC <sup>(2)</sup> Fisher 2052 Size 2 & 3, 1051/1052 Size 40-70, 1061 Size 30-100, Sliding Stem > 210 mm (8.25 inches)	10	7
RShaft #2 / LRC <sup>(2)</sup> 2052 Size 1, 1051/1052 Size 20-33	10	7
RShaft End 90 degree	11	8

1. Linear magnet assembly width dimensions are shown in figure 6.  
2. Linear Roller Cam.

Figure 1. FIELDVUE DVC6200, DVC6200 SIS, DVC6200f, and DVC6200p Digital Valve Controller with Integrally Mounted Filter Regulator

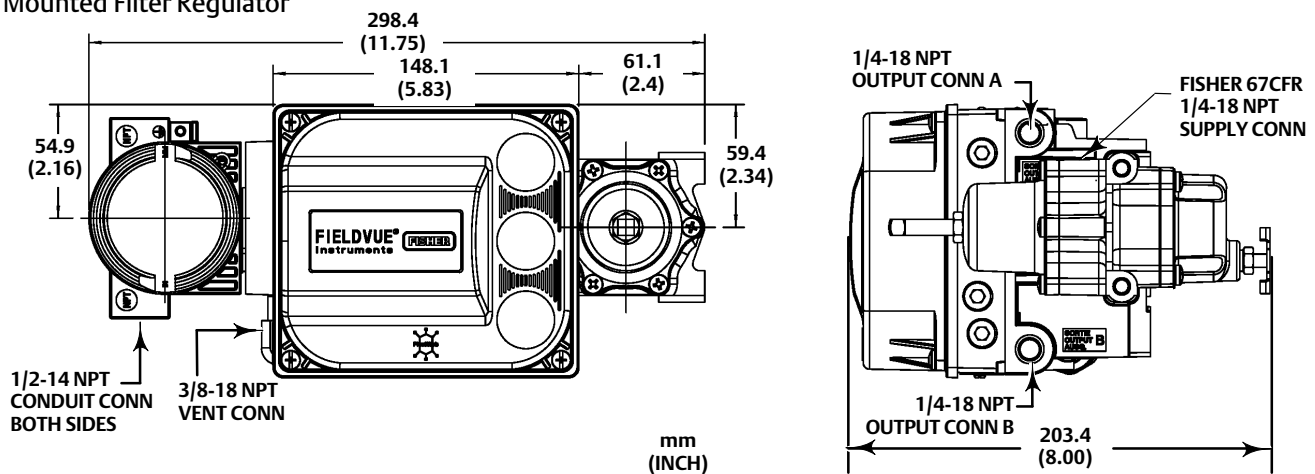
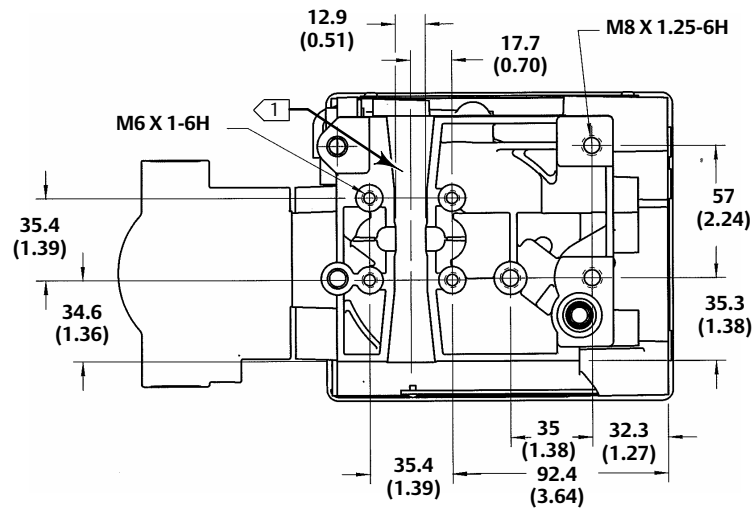
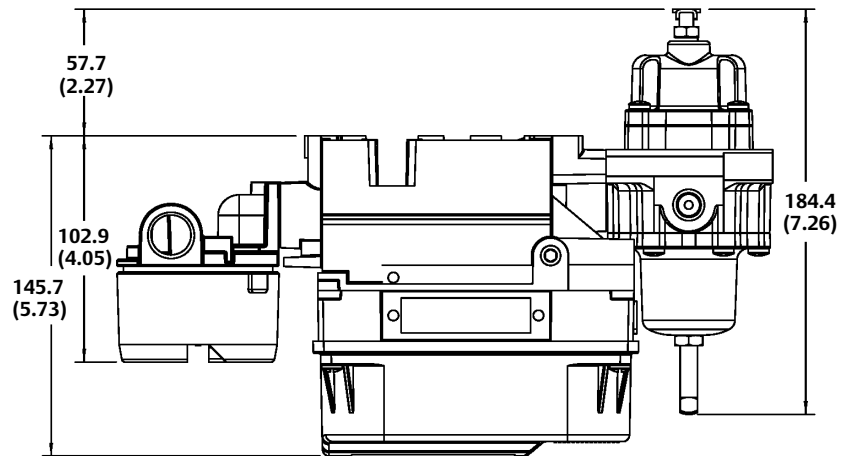


Figure 1. FIELDVUE DVC6200, DVC6200 SIS, DVC6200f, and DVC6200p Digital Valve Controller with Integrally Mounted Filter Regulator (continued)



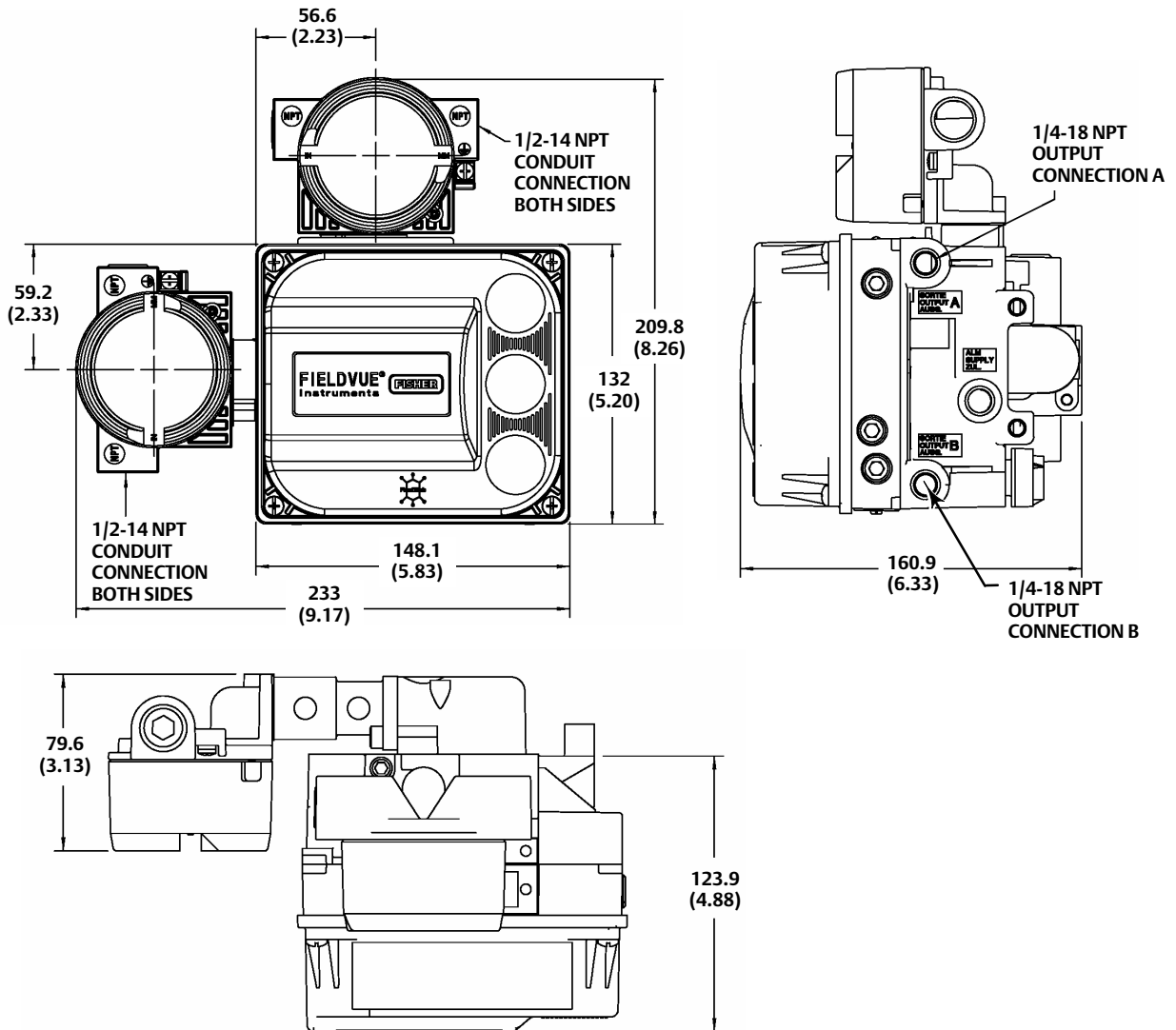
**BACK VIEW  
(REGULATOR NOT SHOWN)**

**mm  
(INCH)**

GE42896

1 Housing insert for SSTEM #210 magnet assembly (figure 9) inserted here.

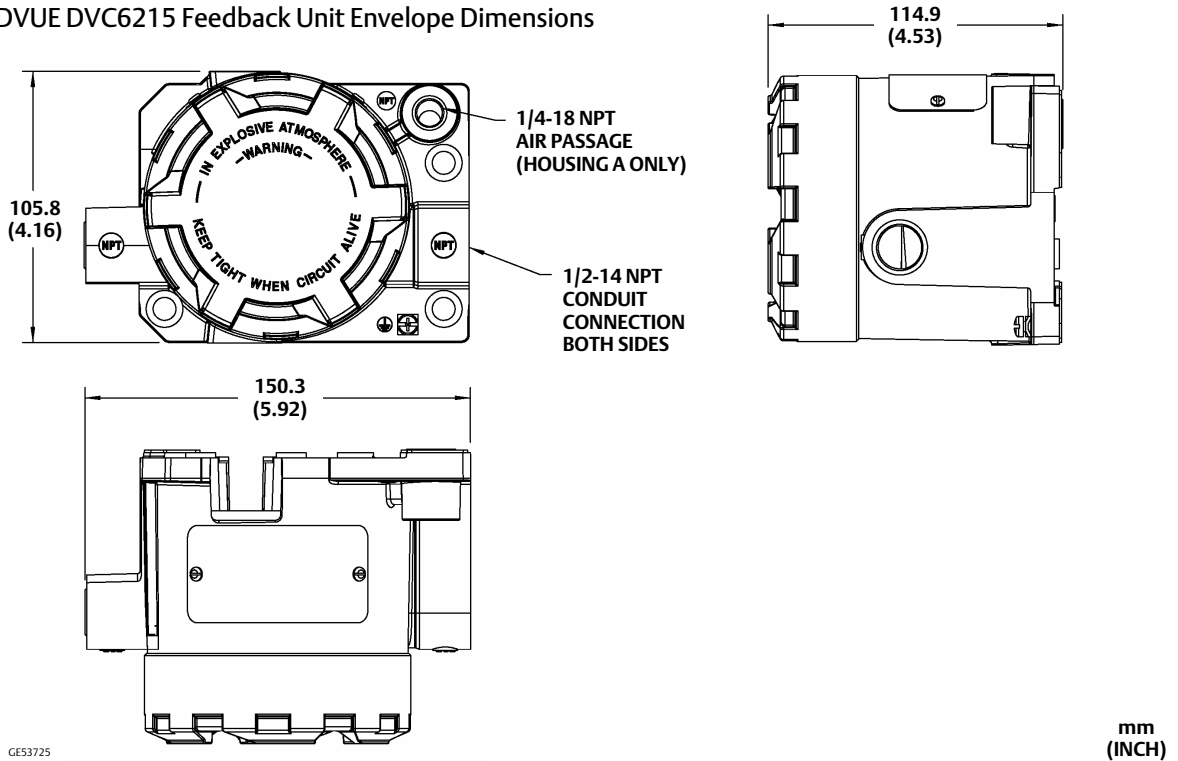
Figure 2. FIELDVUE DVC6205, DVC6205 SIS, DVC6205f, and DVC6205p Remote Mount Base Unit Envelope Dimensions



GE53722


mm  
(INCH)

Figure 3. FIELDVUE DVC6215 Feedback Unit Envelope Dimensions



Mounting hole locations for the DVC6215 feedback unit are the same as for the DVC6200, DVC6200 SIS, DVC6200f, and DVC6200p digital valve controller. Refer to the back view in figure 1.

## Magnet Assemblies

Figure 4. SStem #19 Magnet Assembly (Also see  in figure 6)

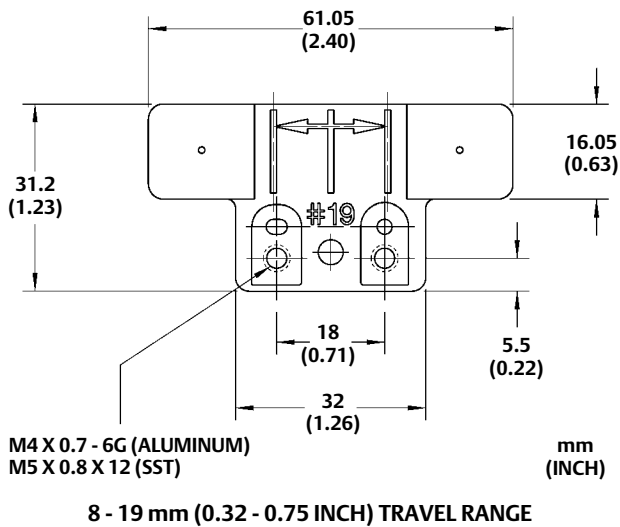
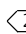


Figure 5. SStem #25 Magnet Assembly (Also see  in figure 6)

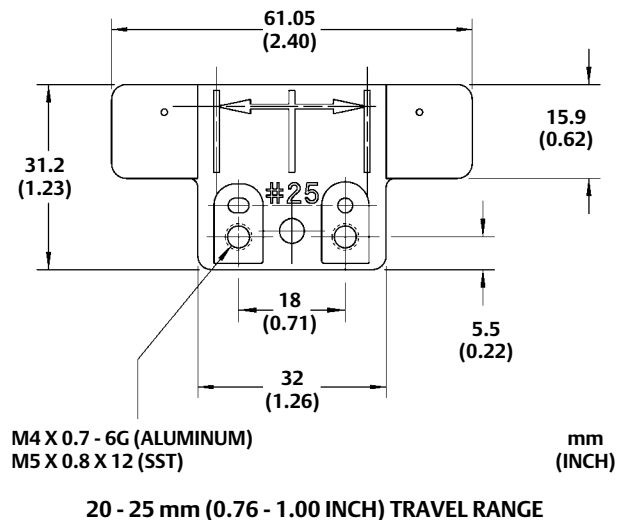


Figure 6. SStem #38 Magnet Assembly

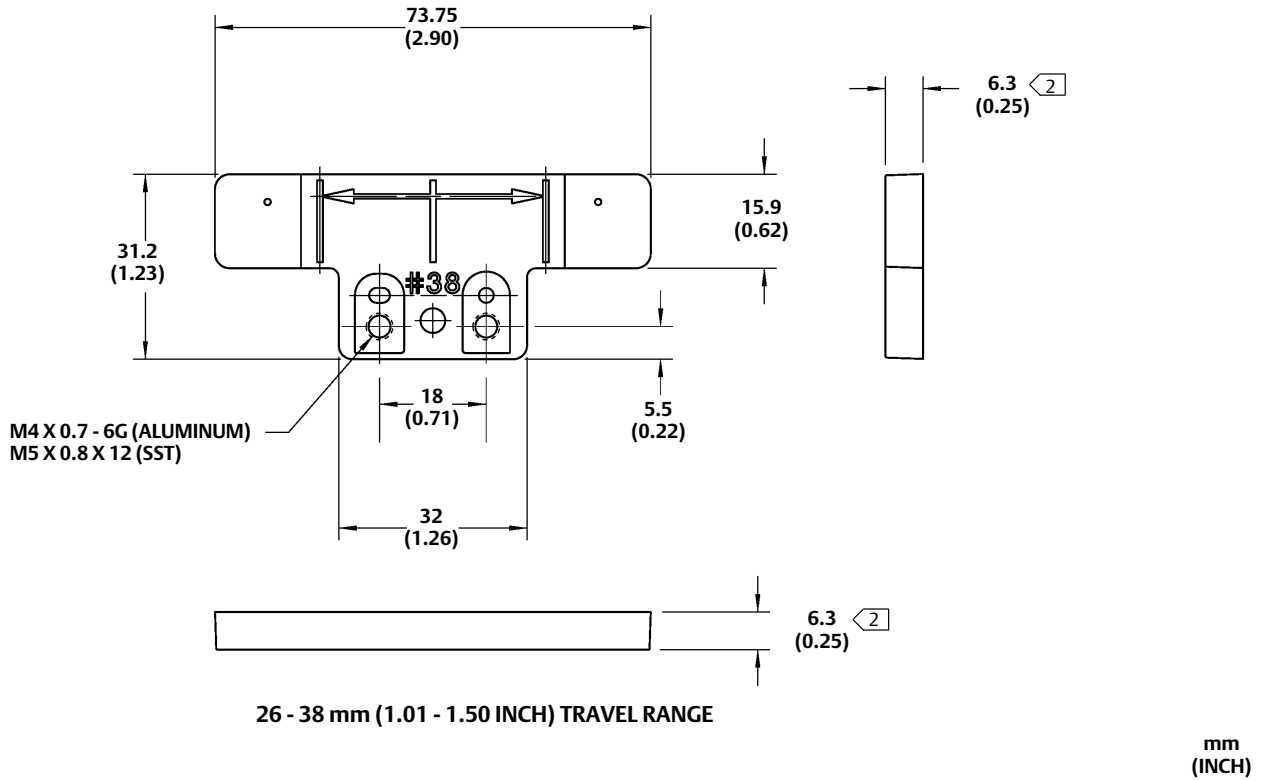


Figure 7. SStem #50 Magnet Assembly (Also see 2 in figure 6)

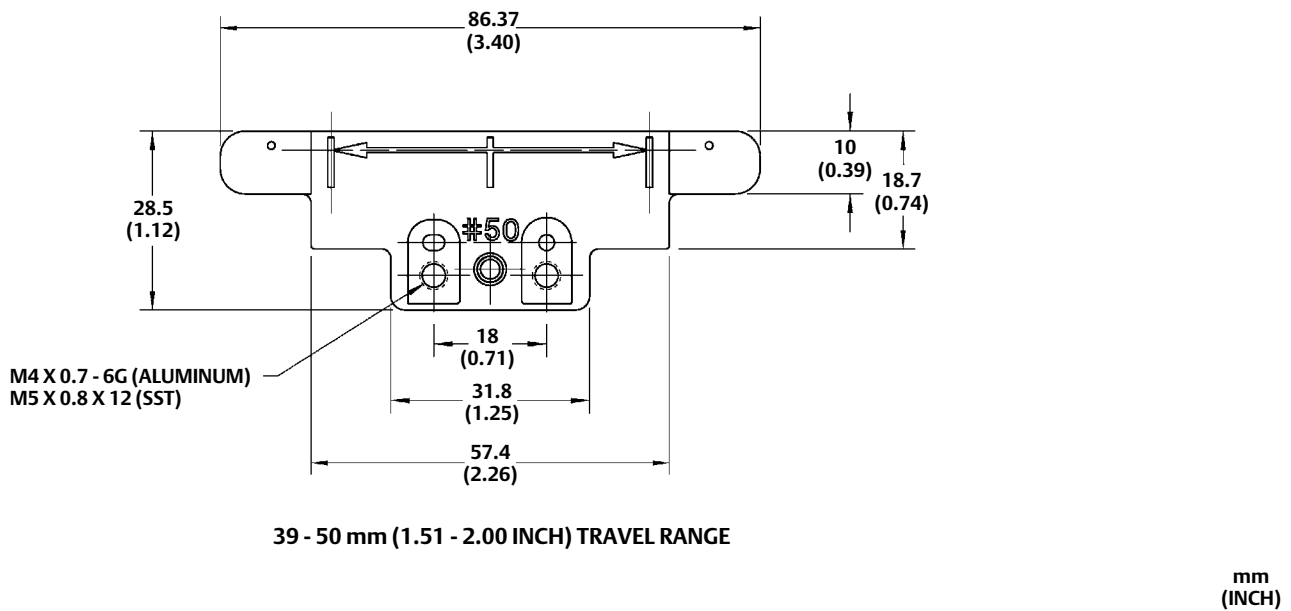


Figure 8. SStem #110 Magnet Assembly (Also see ◻2 in figure 6)

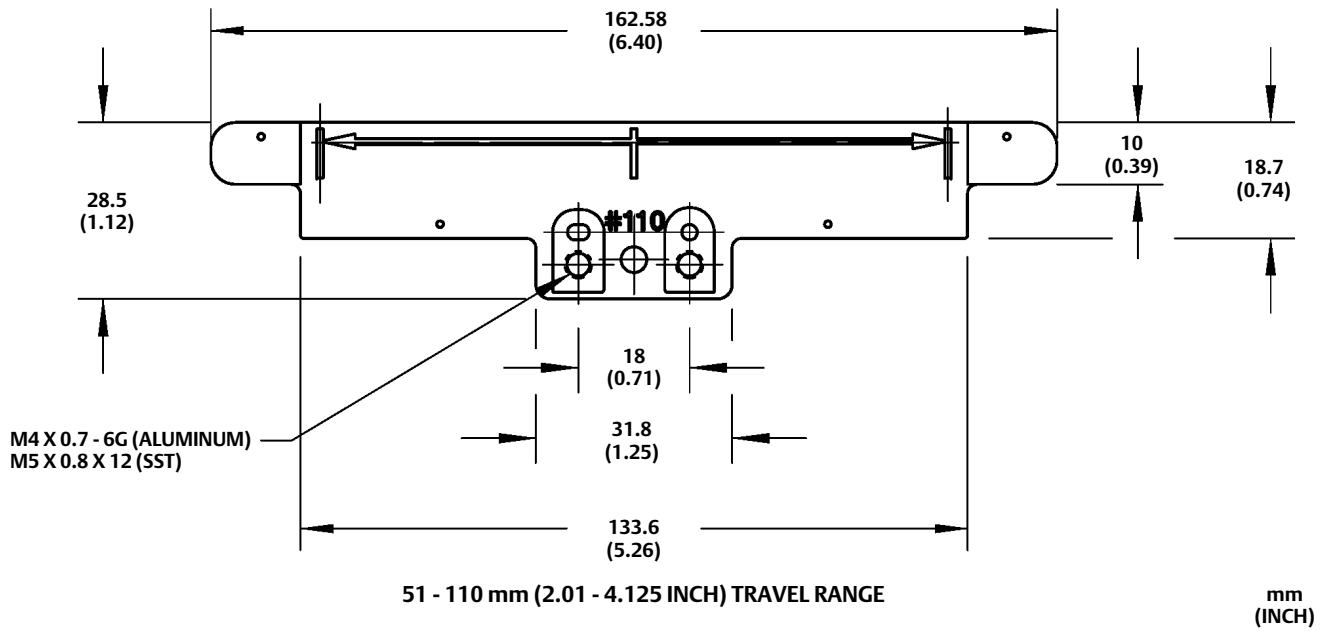
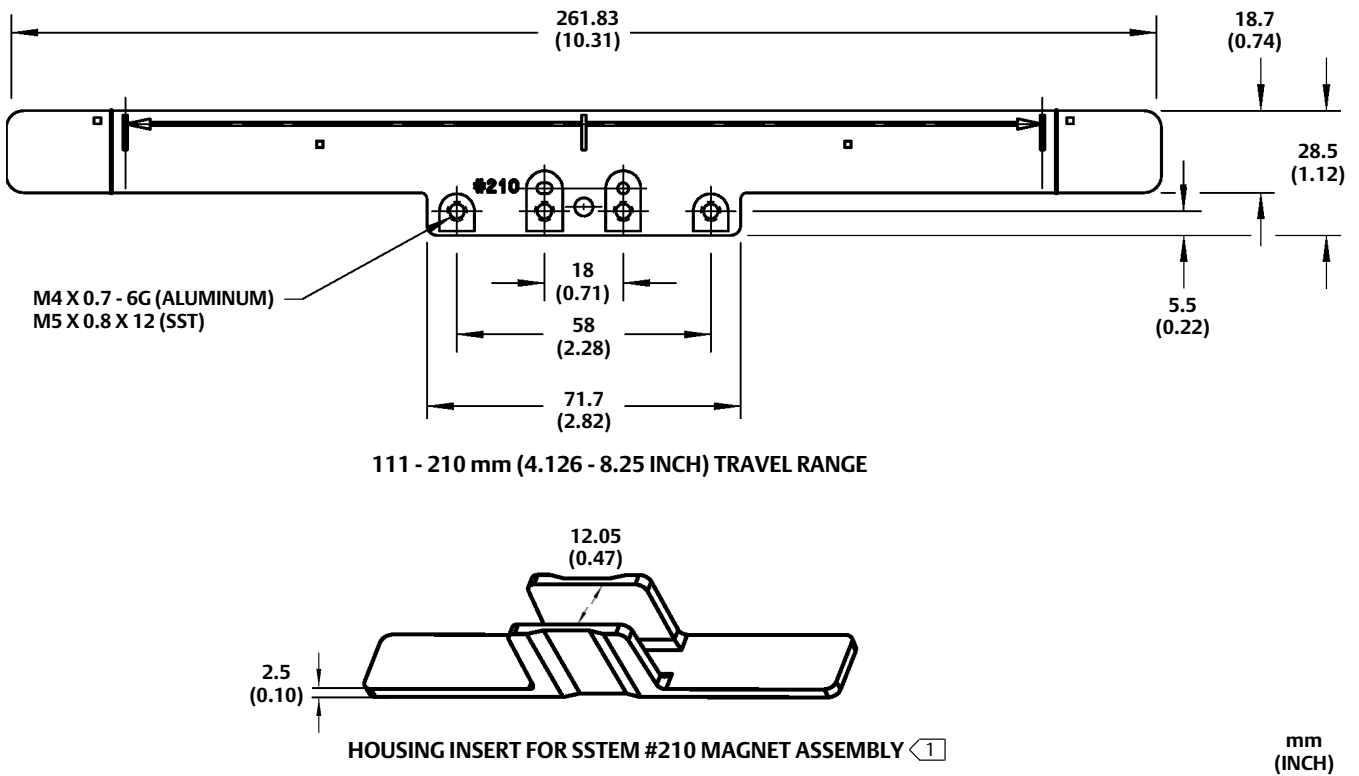
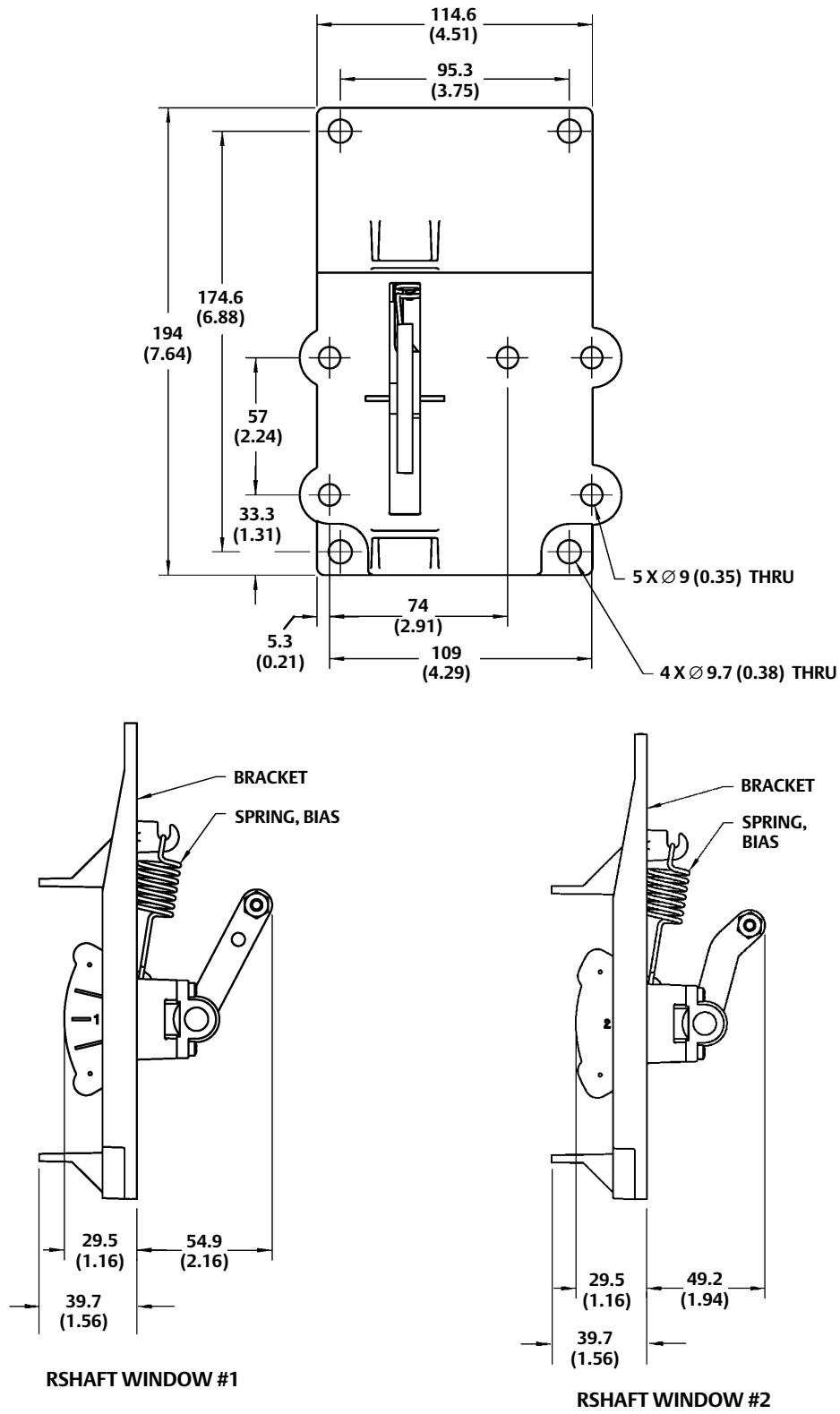


Figure 9. SStem #210 Magnet Assembly (Also see ◻2 in figure 6)



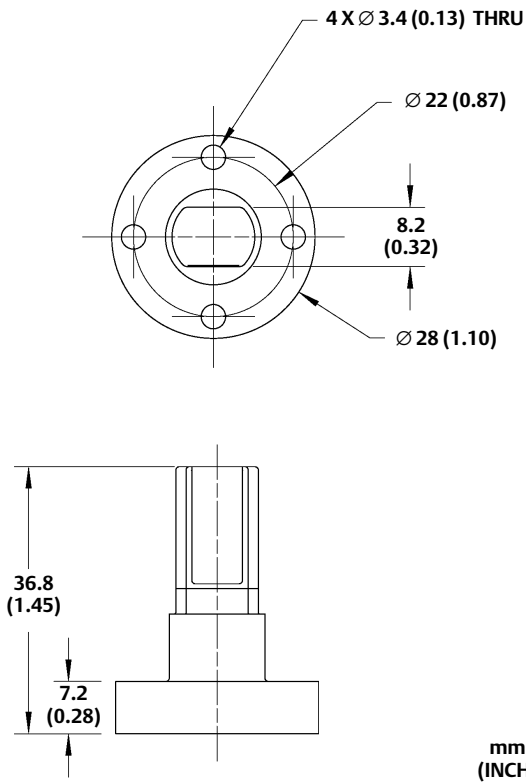
◻1 Refer to back view of figure 1 for housing insert placement.

Figure 10. RShaft Window Magnet Assemblies



mm  
(INCH)

**Figure 11. RShaft End Mount Magnet Assembly**



## Related Documents

- Bulletin 62.1:DVC6200  
DVC6200 Digital Valve Controller ([D103415X012](#))
- Bulletin 62.1:DVC6200 SIS  
DVC6200 SIS Digital Valve Controller ([D103555X012](#))
- Bulletin 62.1:DVC6200f  
DVC6200f Digital Valve Controller ([D103399X012](#))
- Bulletin 62.1:DVC6200p  
DVC6200p Digital Valve Controller ([D103564X012](#))

All documents are available from your [Emerson sales office](#) or Local Business Partner. Also visit our website at [Fisher.com](#).

Neither Emerson, Emerson Automation Solutions, nor any of their affiliated entities assumes responsibility for the selection, use or maintenance of any product. Responsibility for proper selection, use, and maintenance of any product remains solely with the purchaser and end user.

Fisher and FIELDVUE are marks owned by one of the companies in the Emerson Automation Solutions business unit of Emerson Electric Co. Emerson Automation Solutions, Emerson, and the Emerson logo are trademarks and service marks of Emerson Electric Co. All other marks are the property of their respective owners.

The contents of this publication are presented for informational purposes only, and while every effort has been made to ensure their accuracy, they are not to be construed as warranties or guarantees, express or implied, regarding the products or services described herein or their use or applicability. All sales are governed by our terms and conditions, which are available upon request. We reserve the right to modify or improve the designs or specifications of such products at any time without notice.

**Emerson Automation Solutions**  
Marshalltown, Iowa 50158 USA  
Sorocaba, 18087 Brazil  
Cernay, 68700 France  
Dubai, United Arab Emirates  
Singapore 128461 Singapore

[www.Fisher.com](http://www.Fisher.com)

