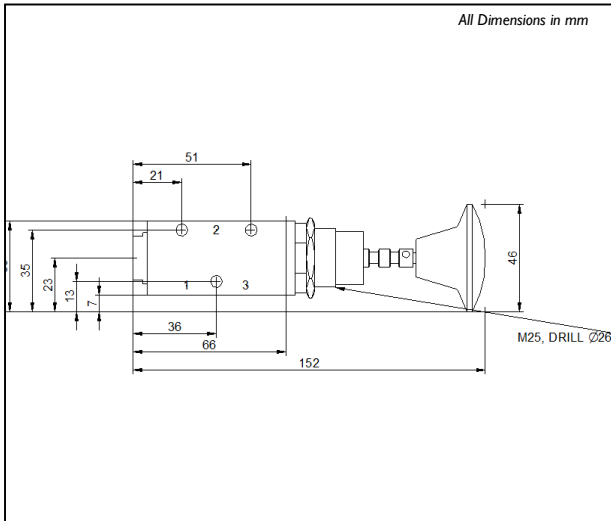
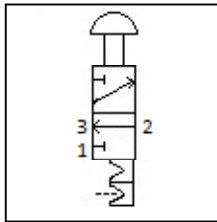


BXS-04

Dimensional Drawing



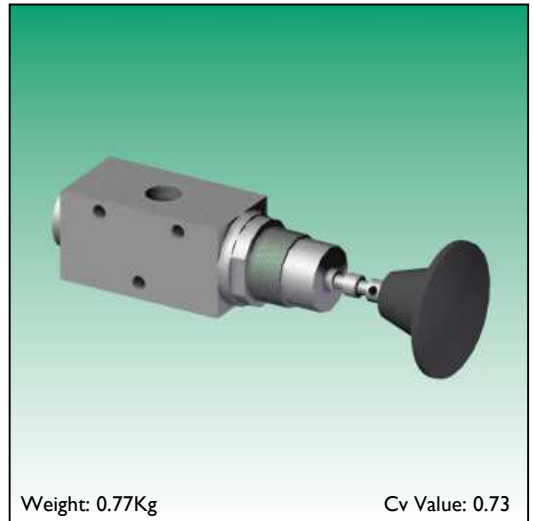
Schematic



Certification



Rendering



BXS-04-04-M3-32-NU-05-V

BXS-04	1/4" Body - Max 12 Bar Working Pressure	Model Code
04	1/4" Body Ported	Ports
M3	Push/Pull Button	Primary Operator
32	3-way, 2-position	Configuration
NU	Normally Universal	Configuration
05	2 Position Detent	Secondary Operator
V	Viton: -15C to +130C	Seals
	NPT	Thread Form
	1 off Included as Standard	Panel Mount Ring
	Black Plastic Button	Manual Button
	Block Before Bleed	Flow Characteristics
	No Identifier	Identifier
BXS-04 -04 -M3 -32 -NU -05 -V		Model Number