

# 2021 CATALOGUE is available online at [www.praherplastics.ca](http://www.praherplastics.ca)

## Table of Contents

### Ball Valves

M1 2-Way PVC True Union Ball Valves .....	1
S4 2-Way PVC, CVPC, PP, PVDF True Union Ball Valves .....	2-9
S6 2-Way PVC True Union Ball Valves .....	10-11
S4 PVC & PVDF Laboratory Valves .....	11
S4 3-Way PVC, PP, PVDF True Union Ball Valves .....	12-14
S4 & M1 True Union Ball Valve Options .....	14

### Butterfly Valves

K4 Butterfly Valve with lever handle .....	15
K4 Butterfly Valve with gear operator .....	16

### Check Valves

K4 Swing Check Valves .....	17
K6 Wafer Check Valves .....	18
S4 PVC, PP, PVDF Wafer Check Valves .....	19-23
Spacers for Wafer Check Valves .....	23
S4 PVC, CPVC, PP, PVDF Double Union Spring Check Valves .....	24-33

### Diaphragm Valves

T4 PVC, PP, PVDF Diaphragm Valves .....	34-36
Diaphragm Gaskets .....	36

### PVC Gate Valves

PVC Gate Valves .....	37
Air actuated gate valve .....	38

### Strainers

S4 PVC Inline Strainers .....	39-40
CR4 Inline Strainers with Corrosion Resistant Screen .....	41

### Flow Meters

M123 Compact flow meter .....	42
M335 Full size flow meter .....	42-43

### PP Pipe Clamps

PP Pipe Clamps .....	44
----------------------	----

# **Table of Contents**

## **Automated Ball Valves**

M1 2-Way Ball Valves Actuator Adapter Set .....	45
M1 2-Way Ball Valves with Mechanical Limit Switch.....	45
2-Way Ball Valves with Pneumatic Actuator.....	46
2-Way Ball Valves with Electric Actuator .....	47
3-Way Ball Valves with Pneumatic Actuator.....	48
3-Way Ball Valves with Electric Actuator .....	49
Pneumatic Actuators and Options for 2-Way & 3-Way ball valves.....	50-51
Electric Actuators and Options for 2-Way & 3-Way ball valves .....	52
Actuator Adapter Set for M1 ball valves.....	53
3-Way Ball Valves with actuator mounting set.....	53
PVC, CPVC, PP, PVDF ball valve brackets .....	54
Actuator mounting kits for 3-Way ball valves.....	55

## **Automated Butterfly Valves**

K4 Butterfly with MT Series Pneumatic Actuator .....	56
K4 Butterfly with J-Series Electric Actuator .....	57
Pneumatic Actuators and Options for butterfly valves.....	58
Electric Actuators and Options for butterfly valves.....	59

## **Automated Diaphragm Valves**

PVC, PP & PVDF Pneumatic Diaphragm Valves.....	60
--	----

<b>Spare Parts</b> .....	61-73
--------------------------	-------

<b>Terms &amp; Conditions of Sale</b> .....	74
---	----



**M1 Series Industrial  
PVC True Union Ball Valves with Locking Handle,  
Silicone Free & NSF-61 Approved!**

All M1 ball valves include lock-out tag-out handle at no additional charge.  
\*\*KIWA NSF/ANSI 61 Drinking Water Approval\*\*

**EPDM WITH PTFE SEATS**

SIZE	END CONN.	PART #	LIST PRICE	CARTON QTY
3/8"	Socket	12-4070	\$ 87.77	9
	Soc & Thd combo	12-4070ST	\$ 92.16	9

1/2"	Socket	12-4071	\$ 91.37	9
	Soc & Thd combo	12-4071ST	\$ 95.92	9

3/4"	Socket	12-4072	\$ 105.03	8
	Soc & Thd combo	12-4072ST	\$ 110.28	8

1"	Socket	12-4073	\$ 124.63	8
	Soc & Thd combo	12-4073ST	\$ 130.86	8

1-1/4"	Socket	12-4074	\$ 165.94	8
	Soc & Thd combo	12-4074ST	\$ 174.24	8

SIZE	END CONN.	PART #	LIST PRICE	CARTON QTY
1-1/2"	Socket	12-4075	\$ 196.50	6
	Soc & Thd combo	12-4075ST	\$ 206.33	6

2"	Socket	12-4076	\$ 242.85	4
	Soc & Thd combo	12-4076ST	\$ 256.00	4

2-1/2"	Socket	21-0494	\$ 531.60	1
--------	--------	---------	-----------	---

3"	Socket	21-0495	\$ 654.56	1
----	--------	---------	-----------	---

4"	Socket	21-0496	\$ 890.14	1
----	--------	---------	-----------	---

**VITON WITH PTFE SEATS**

SIZE	END CONN.	PART #	LIST PRICE	CARTON QTY
3/8"	Socket	12-4077	\$ 104.06	9
	Soc & Thd combo	12-4077ST	\$ 109.27	9

1/2"	Socket	12-4078	\$ 107.66	9
	Soc & Thd combo	12-4078ST	\$ 113.04	9

3/4"	Socket	12-4079	\$ 129.57	8
	Soc & Thd combo	12-4079ST	\$ 136.06	8

1"	Socket	12-4080	\$ 153.23	8
	Soc & Thd combo	12-4080ST	\$ 160.90	8

1-1/4"	Socket	12-4081	\$ 212.69	8
	Soc & Thd combo	12-4081ST	\$ 223.32	8

SIZE	END CONN.	PART #	LIST PRICE	CARTON QTY
1-1/2"	Socket	12-4082	\$ 244.51	6
	Soc & Thd combo	12-4082ST	\$ 256.73	6

2"	Socket	12-4083	\$ 279.90	4
	Soc & Thd combo	12-4083ST	\$ 281.65	4

2-1/2"	Socket	21-0497	\$ 610.53	1
--------	--------	---------	-----------	---

3"	Socket	21-0498	\$ 772.40	1
----	--------	---------	-----------	---

4"	Socket	21-0499	\$ 1,018.74	1
----	--------	---------	-------------	---



## S4 Series Industrial PVC True Union Ball Valves with Locking Handle

All S4 ball valves include lock-out tag-out handle at no additional charge.

- CRN No. 0C13843.5 & 0C13843.56

### VITON WITH PTFE SEATS

SIZE	END CONN.	PART #	LIST PRICE	CARTON QTY
1-1/2"	Socket	12-0302	\$ 118.95	10

2"	Socket	12-0300	\$ 158.99	8
----	--------	---------	-----------	---

3"	Socket	12-1490	\$ 457.52	1
----	--------	---------	-----------	---

**Note:**

All wetted materials listed on this page meet NSF61 requirements

# CRN CERTIFIED



## S4 Series Industrial CPVC True Union Ball Valves

All S4 ball valves include lock-out tag-out handle at no additional charge.

- CRN No. 0C13843.5 & 0C13843.56

### EPDM WITH PTFE SEATS

SIZE	END CONN.	PART #	LIST PRICE	CARTON QTY
1/2"	Socket	-128450	\$ 81.33	12
	Soc & Thd combd	-128450ST	\$ 85.39	12

3/4"	Socket	-128470	\$ 95.30	12
	Soc & Thd combd	-128470ST	\$ 100.08	12

1"	Socket	-128474	\$ 118.90	10
	Soc & Thd combd	-128474ST	\$ 124.86	10

SIZE	END CONN.	PART #	LIST PRICE	CARTON QTY
1-1/4"	Socket	-128478	\$ 152.76	5
	Soc & Thd combd	-128478ST	\$ 160.40	5

1-1/2"	Socket	-128482	\$ 181.27	10
	Soc & Thd combd	-128482ST	\$ 190.34	10

2"	Socket	-128486	\$ 230.39	8
	Soc & Thd combd	-128486ST	\$ 241.91	8

### VITON WITH PTFE SEATS

SIZE	END CONN.	PART #	LIST PRICE	CARTON QTY
1/2"	Socket	-128451	\$ 95.30	12
	Soc & Thd combd	128451ST	\$ 100.08	12

3/4"	Socket	-128471	\$ 113.69	12
	Soc & Thd combd	128471ST	\$ 119.40	12

1"	Socket	-128475	\$ 140.86	10
	Soc & Thd combd	128475ST	\$ 147.90	10

SIZE	END CONN.	PART #	LIST PRICE	CARTON QTY
1-1/4"	Socket	-128479	\$ 178.21	5
	Soc & Thd combd	128479ST	\$ 187.11	5

1-1/2"	Socket	-128483	\$ 210.43	10
	Soc & Thd combd	128483ST	\$ 220.95	10

2"	Socket	-128487	\$ 251.99	8
	Soc & Thd combd	128487ST	\$ 264.59	8

**Note:**

All wetted materials listed on this page meet NSF61 requirements



## M1 Series Industrial PP True Union Ball Valves (Tan) with Locking Handle Metric end connections

All M1 ball valves include lock-out tag-out handle at no additional charge.

### EPDM WITH PTFE SEATS

SIZE	END CONN.	PART #	LIST PRICE
3/8" - DN10 (d16 mm)	Socket	-124084	\$ 109.66
	Spigot	-124098	\$ 109.66

SIZE	END CONN.	PART #	LIST PRICE
1-1/2" - DN40 (d50 mm)	Socket	-124089	\$ 250.57
	Spigot	-124103	\$ 250.57

1/2" - DN15 (d20 mm)	Socket	-124085	\$ 114.06
	Spigot		

2" - DN50 (d63 mm)	Socket	-124090	\$ 322.73
	Spigot		

3/4" - DN20 (d25 mm)	Socket	-124086	\$ 137.14
	Spigot	-124100	\$ 137.14

2-1/2" - DN65 (d75 mm)	Socket	-124280	\$ 746.54
	Spigot	-124286	\$ 746.54

1" - DN25 (d32 mm)	Socket	-124087	\$ 155.18
	Spigot	-124101	\$ 155.18

3" - DN80 (d90 mm)	Socket	-124281	\$ 1,141.56
	Spigot	-124287	\$ 1,141.56

1-1/4" - DN32 (d40 mm)	Socket	-124088	\$ 198.79
	Spigot	-124102	\$ 198.79

4" - DN100 (d110 mm)	Socket	-124282	\$ 1,322.79
	Spigot	-124288	\$ 1,322.79

### VITON WITH PTFE SEATS

SIZE	END CONN.	PART #	LIST PRICE
3/8" - DN10 (d16 mm)	Socket	-124140	\$ 133.91
	Spigot	-124147	\$ 133.91

SIZE	END CONN.	PART #	LIST PRICE
1-1/2" - DN40 (d50 mm)	Socket	-124145	\$ 292.10
	Spigot		

1/2" - DN15 (d20 mm)	Socket	-124141	\$ 138.33
	Spigot	-124148	\$ 138.33

2" - DN50 (d63 mm)	Socket	-124146	\$ 367.92
	Spigot	-124153	\$ 367.92

3/4" - DN20 (d25 mm)	Socket	-124142	\$ 165.70
	Spigot	-124149	\$ 165.70

2-1/2" - DN65 (d75 mm)	Socket	-124283	\$ 829.86
	Spigot	-124289	\$ 829.86

1" - DN25 (d32 mm)	Socket	-124143	\$ 188.29
	Spigot		

3" - DN80 (d90 mm)	Socket	-124284	\$ 1,268.15
	Spigot	-124290	\$ 1,268.15

1-1/4" - DN32 (d40 mm)	Socket	-124144	\$ 236.04
	Spigot	-124151	\$ 236.04

4" - DN100 (d110 mm)	Socket	-124285	\$ 1,478.24
	Spigot	-124291	\$ 1,478.24



**M1 Series Industrial  
PP True Union Ball Valves (Tan) with  
Locking Handle IPS – Imperial end connections**

All M1 ball valves include lock-out tag-out handle at no additional charge.

**EPDM WITH PTFE SEATS**

SIZE	END CONN.	PART #	LIST PRICE
3/8"	Socket	-210240	\$ 114.43
	Threaded	-210240T	\$ 20.14

SIZE	END CONN.	PART #	LIST PRICE
1-1/2"	Socket	-210245	\$ 261.51
	Threaded	-210273	\$ 265.03

1/2"	Socket	-210241	\$ 118.83
	Threaded	-210269	\$ 120.44

2"	Socket	-210246	\$ 336.94
	Threaded	-210274	\$ 342.46

3/4"	Socket	-210242	\$ 143.23
	Threaded	-210270	\$ 145.66

1"	Socket	-210243	\$ 161.99
	Threaded	-210271	\$ 164.60

1-1/4"	Socket	-210244	\$ 207.67
	Threaded	-210272	\$ 209.66



**M1 Series Industrial  
PP True Union Ball Valves (Tan) with Locking Handle  
IPS – Imperial end connections**

All M1 ball valves include lock-out tag-out handle at no additional charge.

**VITON WITH PTFE SEATS**

SIZE	END CONN.	PART #	LIST PRICE
3/8"	Socket		
	Threaded		

1/2"	Socket	210248	\$ 145.12
	Threaded	210248T	\$ 152.37

3/4"	Socket	210249	\$ 173.99
	Threaded	210249T	\$ 182.69

1"	Socket	210250	\$ 197.73
	Threaded	210250T	\$ 207.62

1-1/4"	Socket	210251	\$ 247.87
	Threaded	210251T	\$ 260.27

SIZE	END CONN.	PART #	LIST PRICE
1-1/2"	Socket	210252	\$ 306.57
	Threaded	210252T	\$ 321.90

2"	Socket	210253	\$ 386.29
	Threaded	210253T	\$ 405.60

\* Threaded valves are IPS dimensions





## S4 Series Industrial PP True Union Ball Valves (Natural Unpigmented) with Locking Handle & Glass Filled Nut – IPS connections

All S4 ball valves include lock-out tag-out handle at no additional charge.

- CRN No. 0C13843.5 & 0C13843.56

SIZE	END CONN.	PART #	LIST PRICE
1/2"	Socket	-126617A	\$ 117.88
	Threaded	-126617ATY	\$ 140.64

SIZE	END CONN.	PART #	LIST PRICE
1-1/2"	Socket	-126621A	\$ 243.98
	Threaded	-126621ATP	\$ 290.15

3/4"	Socket	-126618A	\$ 139.80
	Threaded	-126618ATY	\$ 166.77

2"	Socket	-120310A	\$ 313.54
	Threaded	-120310ATP	\$ 373.24

1"	Socket	-126619A	\$ 154.97
	Threaded	-126619ATY	\$ 184.53

\* Threaded socket ends are PVDF

**Note: USP Class VI O-Rings available for the above valve. Please call for more information.**



## S4/M1 Series Industrial PVDF True Union Ball Valves with Locking Handle – Metric end connections

All M1 ball valves include lock-out tag-out handle at no additional charge.

### M1 SERIES - VITON WITH PTFE SEATS

SIZE	END CONN.	PART #	LIST PRICE
1/2" - DN15 (d20 mm)	Socket	-124092	\$ 292.48
	Spigot	-124106	\$ 292.48

SIZE	END CONN.	PART #	LIST PRICE
2" - DN50 (d63 mm)	Socket		
	Spigot		

3/4" - DN20 (d25 mm)	Socket	-124093	\$ 394.71
	Spigot	-124107	\$ 394.71

2-1/2" - DN65 (d75 mm)	Socket	-124292	\$ 2,394.49
	Spigot	-124295	\$ 2,394.49

1" - DN25 (d32 mm)	Socket	-124094	\$ 505.11
	Spigot	-124108	\$ 505.11

3" - DN80 (d90 mm)	Socket	-124293	\$ 3,171.78
	Spigot	-124296	\$ 3,171.78

1-1/4" - DN32 (d40 mm)	Socket	-121452	\$ 706.45
	Spigot	-121494	\$ 706.45

4" - DN100 (d110 mm)	Socket	-124294	\$ 4,704.80
	Spigot	-124297	\$ 4,704.80

1-1/2" - DN40 (d50 mm)	Socket	-124096	\$ 1,093.81
	Spigot	-124110	\$ 1,093.81

### S4 SERIES - VITON WITH PTFE SEATS

SIZE	END CONN.	PART #	LIST PRICE
2" - DN50 (d63 mm)	Socket	-121454	\$ 1,597.76
	Spigot	-121496	\$ 1,597.76

- S4 Ball valve CRN No. 0C13843.5 & 0C13843.56



**S4/M1 Series Industrial  
PVDF True Union Ball Valves with Locking Handle –  
Imperial end connections.**

All M1 ball valves include lock-out tag-out handle at no additional charge.

**M1 SERIES - VITON WITH PTFE SEATS**

SIZE	END CONN.	PART #	LIST PRICE
1/2"	Socket	-124092i	\$ 313.63
	Threaded	-210398	\$ 329.32

SIZE	END CONN.	PART #	LIST PRICE
1-1/4"	Socket	-121452i	\$ 669.68
	Threaded	-210401	\$ 704.93

3/4"	Socket	-124093i	\$ 416.90
	Threaded	-210399	\$ 437.75

1-1/2"	Socket	-124096i	\$ 1,172.94
	Threaded	-210402	\$ 1,208.19

1"	Socket	-124094i	\$ 514.23
	Threaded	-210400	\$ 539.95

2"	Socket		
	Threaded		

3"	Socket		
----	--------	--	--

**S4 SERIES - VITON WITH PTFE SEATS**

SIZE	END CONN.	PART #	LIST PRICE
2"	Socket	-126277	\$ 1,613.37
	Threaded	-121261	\$ 1,694.04

3"	Socket	-126279	\$ 3,020.54
----	--------	---------	-------------

- S4 Ball Valve CRN No. 0C13843.5 & 0C13843.56



## S6 Series Industrial PVC True Union Ball Valves with PTFE seats (Econo)

1/2" to 2" is now rated up to 230 psi



### EPDM WITH PTFE SEATS

SIZE	END CONN.	PART #	LIST PRICE	CARTON QTY
3/8"	Socket	BV6-0381TES	\$ 30.89	20
	Soc & Thd combo	BV6-0381TEST	\$ 37.97	20

1/2"	Socket	BV6-0501TES	\$ 30.89	20
	Soc & Thd combo	BV6-0501TEST	\$ 37.97	20

3/4"	Socket	BV6-0751TES	\$ 35.01	20
	Soc & Thd combo	BV6-0751TEST	\$ 42.10	20

1"	Socket	BV6-1001TES	\$ 37.68	15
	Soc & Thd combo	BV6-1001TEST	\$ 44.83	15

1-1/4"	Socket	BV6-1251TES	\$ 46.48	15
	Soc & Thd combo	BV6-1251TEST	\$ 54.57	15

SIZE	END CONN.	PART #	LIST PRICE	CARTON QTY
1-1/2"	Socket	BV6-1501TES	\$ 56.24	15
	Soc & Thd combo	BV6-1501TEST	\$ 63.22	15

2"	Socket	BV6-2001TES	\$ 76.95	10
	Soc & Thd combo	BV6-2001TEST	\$ 85.68	10

2-1/2"	Socket	12-9009	\$ 243.10	4
	Threaded	12-9009T	\$ 263.31	4

3"	Socket	12-9351	\$ 456.39	1
	Threaded	12-9351T	\$ 531.87	1

### VITON WITH PTFE SEATS

SIZE	END CONN.	PART #	LIST PRICE	CARTON QTY
3/8"	Socket	BV6-0381TVS	\$ 40.99	20
	Soc & Thd combo	BV6-0381TVST	\$ 52.27	20

1/2"	Socket	BV6-0501TVS	\$ 40.99	20
	Soc & Thd combo	BV6-0501TVST	\$ 50.28	20

3/4"	Socket	BV6-0751TVS	\$ 46.10	20
	Soc & Thd combo	BV6-0751TVST	\$ 55.58	20

1"	Socket	BV6-1001TVS	\$ 59.17	15
	Soc & Thd combo	BV6-1001TVST	\$ 70.49	15

1-1/4"	Socket	BV6-1251TVS	\$ 66.04	15
	Soc & Thd combo	BV6-1251TVST	\$ 74.92	15

SIZE	END CONN.	PART #	LIST PRICE	CARTON QTY
1-1/2"	Socket	BV6-1501TVS	\$ 73.17	15
	Soc & Thd combo	BV6-1501TVST	\$ 80.01	15

2"	Socket	BV6-2001TVS	\$ 96.59	10
	Soc & Thd combo	BV6-2001TVST	\$ 105.16	10

2-1/2"	Socket	12-9010	\$ 309.14	4
	Threaded	12-9010T	\$ 328.76	4

3"	Socket	12-9352	\$ 534.19	1
	Threaded	12-9352T	\$ 609.68	1

#### Note:

All wetted materials listed on this page meet NSF61 requirements

## S6 Series Industrial

### PVC True Union Ball Valves with Polyethylene seats (Econo)

1/2" to 2" is now rated up to 230 psi

#### EPDM WITH POLYETHYLENE SEATS

SIZE	END CONN.	PART #	LIST PRICE	CARTON QTY
1/2"	Socket	BV6-0501PES	\$ 22.83	50
3/4"	Socket	BV6-0751PES	\$ 24.04	50
1"	Socket	BV6-1001PES	\$ 30.05	40
1-1/4"	Socket	BV6-1251PES	\$ 43.27	10
1-1/2"	Socket	BV6-1501PES	\$ 44.87	20
2"	Socket	BV6-2001PES	\$ 57.17	10
2-1/2"	Socket	BV6-2501PES	\$ 227.96	4
3"	Socket	BV6-3001PES	\$ 375.73	4
4"	Socket	BV6-4001PES	\$ 693.40	4

#### EPDM WITH POLYETHYLENE SEATS

SIZE	END CONN.	PART #	LIST PRICE	CARTON QTY
1/2"	Threaded	BV6-0501PET	\$ 37.93	50
3/4"	Threaded	BV6-0751PET	\$ 39.38	50
1"	Threaded	BV6-1001PET	\$ 53.12	40
1-1/4"	Threaded	BV6-1251PET	\$ 56.69	10
1-1/2"	Threaded	BV6-1501PET	\$ 70.42	20
2"	Threaded	BV6-2001PET	\$ 88.35	10
2-1/2"	Threaded	BV6-2501PET	\$ 245.61	4
3"	Threaded	BV6-3001PET	\$ 552.25	4



### S4 PVC/PVDF Laboratory Ball Valves

SIZE	PART #	DESCRIPTION	LIST PRICE	CARTON QTY
1/4"	LC-PV	PVC / EPDM / MIP X FIP WITHOUT FTG	\$ 31.79	10
1/4"	LC-PV-1	PVC / EPDM / MIP X FIP WITH HOSE FTG	\$ 38.14	10
1/4"	LC-PV-2	PVC / VITON / MIP X FIP WITH HOSE FTG	\$ 40.23	10
1/4"	LC-VDF-2	PVDF / VITON / MIP X FIP WITH HOSE FTG	\$ 90.95	10

\* Ideal for instrumentation lines, chlorine feeder drain and general laboratory use.



**S4 Series Industrial  
3-Way PVC True Union Ball Valves with Socket Ends**

All S4 ball valves include locking handle at no additional charge.

**EPDM WITH PTFE SEATS**

SIZE	T-BALL PART #	L-BALL PART #	LIST PRICE	CTN QTY
3/8"	12-0629	12-0630	\$ 138.44	15
1/2"	12-0631	12-0633	\$ 138.44	15
3/4"	12-2995	12-2996	\$ 140.50	15
1"	12-2195	12-1897	\$ 140.50	15
1-1/4"	12-2997	12-2998	\$ 216.13	5
1-1/2"	12-2752	12-2753	\$ 228.26	5
2"	12-2754	12-2755	\$ 271.02	4

**VITON WITH PTFE SEATS**

SIZE	T-BALL PART #	L-BALL PART #	LIST PRICE	CTN QTY
3/8"	12-0674	12-0675	\$ 154.06	15
1/2"	12-0676	12-0677	\$ 154.06	15
3/4"	12-2995V	12-0672	\$ 162.94	15
1"	12-0657	12-0658	\$ 179.24	15
1-1/4"	12-0778	12-0779	\$ 246.58	5
1-1/2"	12-0773	12-0774	\$ 262.45	5
2"	12-0775	12-0776	\$ 299.25	4

Add 'T' to the end of the part number for threaded ends at an increased price of 5%.



## S4 Series Industrial 3-Way PP True Union Ball Valves with Metric End Connections

All S4 ball valves include locking handle at no additional charge.

### EPDM WITH PTFE SEATS

SIZE	END CONN.	T-BALL PART #	L-BALL PART #	LIST PRICE
3/8" - DN10 (d16 mm)	Socket	-124767	-124768	\$ 234.95
	Spigot	-124769	-124770	\$ 234.95

SIZE	END CONN.	T-BALL PART #	L-BALL PART #	LIST PRICE
1-1/4" - DN32 (d40 mm)	Socket	-125016	-125017	\$ 367.75
	Spigot	-125020	-125021	\$ 367.75

1/2" - DN15 (d20 mm)	Socket	-124771	-124772	\$ 236.92
	Spigot	-124773	-124774	\$ 236.92

1-1/2" - DN40 (d50 mm)	Socket	-124890	-124891	\$ 371.64
	Spigot	-124892	-124893	\$ 371.64

3/4" - DN20 (d25 mm)	Socket	-125014	-125015	\$ 238.92
	Spigot	-125018	-125019	\$ 238.92

2" - DN50 (d63 mm)	Socket	-124894	-124895	\$ 452.08
	Spigot	-124896	-124897	\$ 452.08

1" - DN25 (d32 mm)	Socket	-124775	-124776	\$ 240.70
	Spigot	-124777	-124778	\$ 240.70

### VITON WITH PTFE SEATS

SIZE	END CONN.	T-BALL PART #	L-BALL PART #	LIST PRICE
3/8" - DN10 (d16 mm)	Socket	-124898	-124899	\$ 275.87
	Spigot	-124900	-124901	\$ 275.87

SIZE	END CONN.	T-BALL PART #	L-BALL PART #	LIST PRICE
1-1/4" - DN32 (d40 mm)	Socket	-125024	-125025	\$ 428.99
	Spigot	-125028	-125029	\$ 428.99

1/2" - DN15 (d20 mm)	Socket	-124902	-124903	\$ 276.14
	Spigot	-124904	-124905	\$ 276.14

1-1/2" - DN40 (d50 mm)	Socket	-124910	-124911	\$ 446.40
	Spigot	-124912	-124913	\$ 446.40

3/4" - DN20 (d25 mm)	Socket	-125022	-125023	\$ 281.62
	Spigot	-125026	-125027	\$ 281.62

2" - DN50 (d63 mm)	Socket	-124914	-124915	\$ 560.82
	Spigot	-124916	-124917	\$ 560.82

1" - DN25 (d32 mm)	Socket	-124906	-124907	\$ 283.86
	Spigot	-124908	-124909	\$ 283.86



## S4 Series Industrial 3-Way PVDF True Union Ball Valves with Metric End Connections



All S4 ball valves include locking handle at no additional charge.

### VITON WITH PTFE SEATS

SIZE	END CONN.	T-BALL PART #	L-BALL PART #	LIST PRICE
3/8" - DN10 (d16 mm)	Socket	-124918	-124919	\$ 574.92
	Spigot	-124920	-124921	\$ 574.92

SIZE	END CONN.	T-BALL PART #	L-BALL PART #	LIST PRICE
1-1/4" - DN32 (d40 mm)	Socket	-125032	-125033	\$ 1,161.58
	Spigot	-125036	-125037	\$ 1,161.58

1/2" - DN15 (d20 mm)	Socket	-124922	-124923	\$ 618.71
	Spigot	-124924	-124925	\$ 618.71

1-1/2" - DN40 (d50 mm)	Socket	-124930	-124931	\$ 1,439.08
	Spigot	-124932	-124933	\$ 1,439.08

3/4" - DN20 (d25 mm)	Socket	-125030	-125031	\$ 765.17
	Spigot	-125034	-125035	\$ 765.17

2" - DN50 (d63 mm)	Socket	-124934	-124935	\$ 2,009.69
	Spigot	-124936	-124937	\$ 2,009.69

1" - DN25 (d32 mm)	Socket	-124926	-124927	\$ 959.29
	Spigot	-124928	-124929	\$ 959.29

### M1 & S4 True Union Ball Valve Options



#### M1 & S4 Labeling System

**Features:**

- \* Material: PBT (Polyester)
- \* Color: Yellow (Standard)

#### YELLOW

SIZE	PART #	LIST PRICE
3/8"	101624	\$ 5.81
1/2"	101624	\$ 5.81
3/4"	101625	\$ 6.97
1"	101625	\$ 6.97
1-1/4"	101626	\$ 6.97
1-1/2"	101627	\$ 9.30
2"	101628	\$ 10.45
2-1/2"	101629	\$ 31.35
3"	101630	\$ 38.33

#### BLUE

PART #	LIST PRICE
141861	\$ 5.81
141861	\$ 5.81
141864	\$ 6.97
141864	\$ 6.97
141867	\$ 6.97
141870	\$ 9.30
141873	\$ 10.45
141876	\$ 31.35
141879	\$ 38.33

#### GREEN

PART #	LIST PRICE
141862	\$ 5.81
141862	\$ 5.81
141865	\$ 6.97
141865	\$ 6.97
141868	\$ 6.97
141871	\$ 9.30
141874	\$ 10.45
141877	\$ 31.35
141880	\$ 38.33

#### RED

PART #	LIST PRICE
141863	\$ 5.81
141863	\$ 5.81
141866	\$ 6.97
141866	\$ 6.97
141869	\$ 6.97
141872	\$ 9.30
141875	\$ 10.45
141878	\$ 31.35
141881	\$ 38.33





## K4 Series Industrial Butterfly Valves

### Features:

- Standard glass filled Polypropylene body
- 316 Stainless Steel shaft – non wetted
- CRN No. 0C13843.5 & 0C13843.56

### PVC DISC / EPDM SEAT

SIZE	PART #	LIST PRICE
2-1/2"	125-860	\$ 448.40
3"	125-861	\$ 403.33
4"	125-862	\$ 514.24
5"	128-456	\$ 807.80
6"	125-863	\$ 841.87
8"	125-864	\$ 1,178.98

### PVC DISC / VITON SEAT

PART #	LIST PRICE
125-865	\$ 643.04
125-866	\$ 793.83
125-867	\$ 881.17
128-457	\$ 1,127.23
125-868	\$ 1,270.13
125-869	\$ 1,706.72

### K4 Butterfly PVC Flange Kits

SIZE	PART #	LIST PRICE / KIT
3"	FK4-300	\$ 254.45
4"	FK4-400	\$ 310.98
6"	FK4-600	\$ 537.16
8"	FK4-800	\$ 732.71

Kit consists of two PVC flanges plus hardware. Grade 5 steel bolt zinc plated with hex nut and two flat washers

Recommended Torque rating for flanges:  
3-4" = 25 ft. in.lbs,  
6-8" = 40ft. in lbs.

### CPVC DISC / EPDM SEAT

SIZE	PART #	LIST PRICE
2-1/2"	129-302	\$ 581.92
3"	129-303	\$ 682.17
4"	129-304	\$ 744.53

### CPVC DISC / VITON SEAT

PART #	LIST PRICE
129-305	\$ 858.69
129-306	\$ 1,209.36
129-307	\$ 1,319.71

### PP DISC / EPDM SEAT

SIZE	PART #	LIST PRICE
2-1/2"	125-870	\$ 732.25
3"	125-871	\$ 859.32
4"	125-872	\$ 939.64
5"	128-458	\$ 1,317.39
6"	125-873A	\$ 1,531.25
8"	125-874	\$ 2,146.36

### PP DISC / VITON SEAT

PART #	LIST PRICE
125-875	\$ 999.68
125-876	\$ 1,227.00
125-877	\$ 1,354.00
128-459	\$ 1,753.55
125-878	\$ 1,979.17
125-879	\$ 2,687.90

### PVDF DISC / VITON SEAT

SIZE	PART #	LIST PRICE
2-1/2"	125-880	\$ 1,529.26
3"	125-881	\$ 1,875.43
4"	125-882	\$ 2,069.02
5"	128-460	\$ 2,681.43
6"	125-883	\$ 3,030.36
8"	125-884	\$ 4,112.43



## K4 Series Industrial Butterfly Valve with Gear Operator

### Features:

- CRN No. 0C13843.5 & 0C13843.56

### PVC DISC / EPDM SEAT

SIZE	PART #	LIST PRICE
2-1/2"	126-010	\$ 1,177.93
3"	126-011	\$ 1,265.24
4"	126-012	\$ 1,287.14
5"	128-761	\$ 1,662.91
6"	126-013	\$ 1,715.49
8"	126-014	\$ 2,140.08
10"	HL-10100	\$ 2,523.64
12"	HL-10120	\$ 4,111.80
14"	HL-10140	\$ 12,484.23

### PVC DISC / VITON SEAT

PART #	LIST PRICE
126-015	\$ 1,418.71
126-016	\$ 1,596.32
126-017	\$ 1,660.57
128-763	\$ 2,083.73
126-018	\$ 2,119.09
126-019	\$ 2,627.59
HL-10100V	\$ 6,008.72
HL-10120V	\$ 8,835.47
HL-10140V	\$ 29,277.40

### CPVC DISC / EPDM SEAT

SIZE	PART #	LIST PRICE
2-1/2"	129-296	\$ 1,253.84
3"	129-297	\$ 1,354.35
4"	129-298	\$ 1,384.25

### CPVC DISC / VITON SEAT

PART #	LIST PRICE
129-299	\$ 1,530.80
129-300	\$ 1,735.07
129-301	\$ 1,813.60

### PP DISC / EPDM SEAT

SIZE	PART #	LIST PRICE
2-1/2"	126-020	\$ 1,478.48
3"	126-021	\$ 1,605.56
4"	126-022	\$ 1,650.08
5"	128-763	\$ 2,083.73
6"	126-023	\$ 2,259.36
8"	126-024	\$ 2,874.48

### PP DISC / VITON SEAT

PART #	LIST PRICE
126-025	\$ 1,745.92
126-026	\$ 1,973.15
126-027	\$ 2,064.34
128-764	\$ 2,464.07
126-028	\$ 2,007.38
126-029	\$ 3,415.99

### PVDF DISC / VITON SEAT

SIZE	PART #	LIST PRICE
2-1/2"	126-030	\$ 2,242.40
3"	126-031	\$ 2,588.36
4"	126-032	\$ 2,747.75
5"	128-765	\$ 3,600.43
6"	126-033	\$ 3,726.08
8"	126-034	\$ 4,808.41



## K4 Series Industrial PVC/PP/PVDF Swing Check Valves



### Features:

- CRN No. 0C13843.5 & 0C13843.56

### PVC/EPDM

SIZE	PART #	LIST PRICE
3"	SCV-1030	\$ 658.13
4"	SCV-1040	\$ 784.90
6"	SCV-1060	\$ 1,072.89
8"	SCV-1080	\$ 2,159.92
10"	SCV-10100	\$ 3,145.24

### PVC/VITON

PART #	LIST PRICE
SCV-1030V	\$ 766.56
SCV-1040V	\$ 898.76
SCV-1060V	\$ 1,234.14
SCV-1080V	\$ 2,305.53
SCV-10100V	\$ 3,424.58

### PVC SWING CHECK VALVE FLANGE K

SIZE	PART #	LIST PRICE
3"	FK-SCV300	\$ 266.22
4"	FK-SCV400	\$ 323.95
6"	FK-SCV600	\$ 552.48
8"	FK-SCV800	\$ 760.98
10"	FK-SCV10100	Please call

### PPGR/EPDM

SIZE	PART #	LIST PRICE
3"	SCV-2030	\$ 881.07
4"	SCV-2040	\$ 1,055.31
6"	SCV-2060	\$ 1,449.18
8"	SCV-2080	\$ 2,669.87
10"	SCV-20100	\$ 5,138.02

### PPGR/VITON

PART #	LIST PRICE
SCV-2030V	\$ 1,025.43
SCV-2040V	\$ 1,218.27
SCV-2060V	\$ 1,648.07
SCV-2080V	\$ 2,904.70
SCV-20100V	\$ 5,447.73

Each kit consists of 2 flanges, Grade 5 steel bolt zinc plated with hex nut and two flat washers

### PP/EPDM

SIZE	PART #	LIST PRICE
3"	SCV-4030	\$ 881.07
4"	SCV-4040	\$ 1,055.31
6"	SCV-4060	\$ 1,449.18
8"	SCV-4080	\$ 2,669.87
10"	SCV-40100	\$ 5,638.48

### PP/VITON

PART #	LIST PRICE
SCV-4030V	\$ 1,025.43
SCV-4040V	\$ 1,218.27
SCV-4060V	\$ 1,648.07
SCV-4080V	\$ 2,904.70
SCV-40100V	\$ 5,979.24

### PVDF/VITON

SIZE	PART #	LIST PRICE
3"	SCV-5030V	\$ 2,102.14
4"	SCV-5040V	\$ 2,349.44
6"	SCV-5060V	\$ 3,956.96
8"	SCV-5080V	\$ 6,770.27
10"	SCV-50100V	\$ 11,363.57



## K6 Series Industrial PVC Wafer Check Valves



### Features:

- No spacer required on newest generation of wafer check
- Easy spring installation without any special tool requirements
- Easy installation due to integrated flange bolt guides for DIN 2501 PN10 and ANSI Class 150
- Rated to 150 psi on all sizes
- Hastelloy spring available upon request
- CRN No. 0C17876.2

### PVC/EPDM W/SS SPRING

SIZE	PART #	LIST PRICE
1-1/2"	-129100	\$ 334.63
2"	-129101	\$ 344.97
2-1/2"	-129102	\$ 363.40
3"	-129103	\$ 391.91
4"	-129104	\$ 432.11
5"	-129105	\$ 551.40
6"	-129106	\$ 722.18
8"	-129107	\$ 1,133.77
10"	-129108	\$ 1,900.19
12"	-129109	\$ 2,437.42
14"	-129110	\$ 9,196.23

### PVC/VITON W/SS SPRING

SIZE	PART #	LIST PRICE
1-1/2"	-129111	\$ 378.33
2"	-129112	\$ 403.13
2-1/2"	-129113	\$ 439.16
3"	-129114	\$ 487.45
4"	-129115	\$ 547.48
5"	-129116	\$ 696.62
6"	-129117	\$ 887.40
8"	-129118	\$ 1,319.00
10"	-129119	\$ 2,098.17
12"	-129120	\$ 2,908.93
14"	-120908	\$ 9,598.88

### INSTALLATION PRECAUTIONS:

- No direct mounting onto a pump, bend or elbow
- Install a minimum of five times the nominal pipe diameter away from pumps, bends or elbows. (**Example:** Install a 4" valve 20" away from a pump discharge.)

**Note:** Do not use valves without springs for pulsating applications





## S4 Series Industrial PVC/PP/PVDF Wafer Check Valves

**Features:**

- Economical, space saving design.
- Lightweight, non-corrosive construction.

**NOTE:** Spacer rings for full disc opening is recommended

**PVC/EPDM**

SIZE	PART #	LIST PRICE
10"	460-100-E	\$ 1,879.39
12"	460-120-E	\$ 2,368.21
14"	460-140-E	\$ 7,502.38
16"	460-160-E	\$ 12,913.92
18"	460-180-E	Please call
20"	460-200-E	Please call
24"	460-240-E	Please call

**PVC/VITON**

PART #	LIST PRICE
460-100-V	\$ 2,383.58
460-120-V	\$ 3,181.79
460-140-V	\$ 9,002.85
460-160-V	\$ 15,496.70

**PVC/TEFLON\***

PART #	LIST PRICE
460-100-VT	\$ 3,027.15
460-120-VT	\$ 4,040.87

\* Teflon encapsulated Viton O-Ring

**PVC/EPDM WITH  
SS SPRING**

SIZE	PART #	LIST PRICE
10"	470-100-E	\$ 2,236.48
12"	470-120-E	\$ 2,750.45
14"	470-140-E	\$ 8,125.58
16"	470-160-E	\$ 15,367.56

**PVC/VITON WITH  
SS SPRING**

PART #	LIST PRICE
470-100-V	\$ 2,683.77
470-120-V	\$ 3,340.76
470-140-V	\$ 9,750.71
470-160-V	\$ 17,341.55

**PVC/EPDM WITH  
HASTELLOY SPRING**

PART #	LIST PRICE
470-100-EH	\$ 3,408.39
470-120-EH	\$ 4,260.41

**PVC/VITON WITH  
HASTELLOY SPRING**

SIZE	PART #	LIST PRICE
10"	470-100-VH	\$ 3,547.62
12"	470-120-VH	\$ 4,362.93
14"	470-140-VH	Please call
16"	470-160-VH	Please call

**PVC/TEFLON\* WITH  
HASTELLOY SPRING**

PART #	LIST PRICE
470-100-VTH	\$ 4,257.15
470-120-VTH	\$ 5,235.50

\* Teflon encapsulated Viton O-Ring



## S4 Series Industrial PVC/PP/PVDF Wafer Check Valves

### PP/EPDM

SIZE	PART #	LIST PRICE
1-1/2"	461-15-E	\$ 224.37
2"	461-20-E	\$ 224.37
2-1/2"	461-25-E	\$ 296.16
3"	461-30-E	\$ 376.93
4"	461-40-E	\$ 457.71
5"	461-50-E	\$ 1,121.83
6"	461-60-E	\$ 1,148.75
8"	461-80-E	\$ 1,516.71
10"	461-100-E	\$ 2,931.85
12"	461-120-E	\$ 3,694.40
14"	461-140-E	\$ 12,113.35
16"	461-160-E	\$ 20,850.81
18"	461-180-E	Please call

### PP/VITON

PART #	LIST PRICE
461-15-V	\$ 269.24
461-20-V	\$ 269.24
461-25-V	\$ 355.40
461-30-V	\$ 452.31
461-40-V	\$ 549.25
461-50-V	\$ 1,346.19
461-60-V	\$ 1,378.50
461-80-V	\$ 1,820.06
461-100-V	\$ 3,518.23
461-120-V	\$ 4,433.28
461-140-V	\$ 14,536.01
461-160-V	\$ 25,020.98
461-180-V	Please call

### PP/TEFLON\*

PART #	LIST PRICE
461-15-VT	\$ 341.94
461-20-VT	\$ 341.94
461-25-VT	\$ 451.35
461-30-VT	\$ 574.44
461-40-VT	\$ 697.53
461-50-VT	\$ 1,709.66
461-60-VT	\$ 1,716.88
461-80-VT	\$ 2,311.48
461-100-VT	\$ 4,468.15
461-120-VT	\$ 5,630.26

\* Teflon encapsulated Viton O-Ring

### PP/EPDM WITH SS SPRING

SIZE	PART #	LIST PRICE
1-1/2"	471-15-E	\$ 237.82
2"	471-20-E	\$ 237.82
2-1/2"	471-25-E	\$ 313.94
3"	471-30-E	\$ 399.55
4"	471-40-E	\$ 485.17
5"	471-50-E	\$ 1,189.14
6"	471-60-E	\$ 1,217.66
8"	471-80-E	\$ 1,607.71
10"	471-100-E	\$ 3,107.76
12"	471-120-E	\$ 3,916.06
14"	471-140-E	\$ 12,840.14
16"	471-160-E	\$ 22,101.86
18"	471-180-E	Please call

### PP/VITON WITH SS SPRING

PART #	LIST PRICE
471-15-V	\$ 285.40
471-20-V	\$ 285.40
471-25-V	\$ 376.71
471-30-V	\$ 479.46
471-40-V	\$ 582.20
471-50-V	\$ 1,426.97
471-60-V	\$ 1,461.20
471-80-V	\$ 1,929.25
471-100-V	\$ 3,729.31
471-120-V	\$ 4,699.28
471-140-V	\$ 15,410.42
471-160-V	Please call
471-180-V	Please call

### PP/EPDM WITH HASTELLOY

PART #	LIST PRICE
471-15-EH	\$ 363.46
471-20-EH	\$ 362.46
471-25-EH	\$ 478.43
471-30-EH	\$ 608.91
471-40-EH	\$ 739.39
471-50-EH	\$ 1,812.25
471-60-EH	\$ 1,855.72
471-80-EH	\$ 2,450.15
471-100-EH	\$ 4,736.24
471-120-EH	\$ 5,968.07



## S4 Series Industrial PVC/PP/PVDF Wafer Check Valves



### PP/VITON WITH HASTELLOY SPRING

SIZE	PART #	LIST PRICE
1-1/2"	471-15-VH	\$ 384.20
2"	471-20-VH	\$ 384.20
2-1/2"	471-25-VH	\$ 507.14
3"	471-30-VH	\$ 645.46
4"	471-40-VH	\$ 783.75
5"	471-50-VH	\$ 1,920.97
6"	471-60-VH	\$ 1,967.06
8"	471-80-VH	\$ 2,597.16
10"	471-100-VH	\$ 5,020.40
12"	471-120-VH	\$ 6,326.16

### PP/TEFLON\* WITH HASTELLOY SPRING

PART #	LIST PRICE
471-15-VTH	\$ 487.95
471-20-VTH	\$ 487.95
471-25-VTH	\$ 644.07
471-30-VTH	\$ 819.73
471-40-VTH	\$ 995.37
471-50-VTH	\$ 2,439.63
471-60-VTH	\$ 2,498.17
471-80-VTH	\$ 3,298.40
471-100-VTH	\$ 6,375.92
471-120-VTH	\$ 8,034.23

\* Teflon encapsulated Viton O-Ring



## S4 Series Industrial PVC/PP/PVDF Wafer Check Valves



### PVDF/EPDM

SIZE	PART #	LIST PRICE
2"	462-20-E	\$ 398.51
2-1/2"	462-25-E	\$ 508.57
3"	462-30-E	\$ 819.21
4"	462-40-E	\$ 1,315.26
5"	462-50-E	\$ 1,868.24
6"	462-60-E	\$ 2,194.94
8"	462-80-E	\$ 4,820.09
10"	462-100-E	\$ 5,488.35
12"	462-120-E	\$ 6,836.85

### PVDF/VITON

PART #	LIST PRICE
462-20-V	\$ 478.22
462-25-V	\$ 610.27
462-30-V	\$ 983.07
462-40-V	\$ 1,578.31
462-50-V	\$ 2,315.78
462-60-V	\$ 2,633.93
462-80-V	\$ 5,784.11
462-100-V	\$ 5,909.52
462-120-V	\$ 8,204.21

### PVDF/TEFLON\*

PART #	LIST PRICE
462-20-VT	\$ 607.32
462-25-VT	\$ 775.05
462-30-VT	\$ 1,248.49
462-40-VT	\$ 2,004.43
462-50-VT	\$ 2,941.03
462-60-VT	\$ 3,345.09
462-80-VT	\$ 7,345.82
462-100-VT	\$ 7,505.10
462-120-VT	\$ 10,419.35

\* Teflon encapsulated Viton O-Ring

### PVDF/EPDM WITH SS SPRING

SIZE	PART #	LIST PRICE
2"	472-20-E	\$ 635.69
2-1/2"	472-25-E	\$ 745.75
3"	472-30-E	\$ 1,056.39
4"	472-40-E	\$ 1,552.44
5"	472-50-E	\$ 2,166.98
6"	472-60-E	\$ 2,432.11
8"	472-80-E	\$ 5,057.26
10"	472-100-E	\$ 5,725.52
12"	472-120-E	\$ 7,074.02

### PVDF/VITON WITH SS SPRING

PART #	LIST PRICE
472-20-V	\$ 762.84
472-25-V	\$ 894.90
472-30-V	\$ 1,267.67
472-40-V	\$ 1,862.94
472-50-V	\$ 2,600.38
472-60-V	\$ 2,918.53
472-80-V	\$ 6,068.30
472-100-V	\$ 6,870.61
472-120-V	\$ 8,488.81

### PVDF/EPDM WITH HASTELLOY SPRING

PART #	LIST PRICE
472-20-EH	\$ 968.81
472-25-EH	\$ 1,136.53
472-30-EH	\$ 1,609.96
472-40-EH	\$ 2,365.94
472-50-EH	\$ 3,302.49
472-60-EH	\$ 3,706.54
472-80-EH	\$ 7,706.74
472-100-EH	\$ 8,725.67
472-120-EH	\$ 10,780.79





## S4 Series Industrial PVC/PP/PVDF Wafer Check Valves



### PVDF/VITON WITH HASTELLOY SPRING

SIZE	PART #	LIST PRICE
2"	472-20-VH	\$ 588.20
2-1/2"	472-25-VH	\$ 750.63
3"	472-30-VH	\$ 1,209.16
4"	472-40-VH	\$ 1,941.30
5"	472-50-VH	\$ 2,848.40
6"	472-60-VH	\$ 3,239.72
8"	472-80-VH	\$ 7,114.44
10"	472-100-VH	\$ 7,268.71
12"	472-120-VH	\$ 10,091.18

### PVDF/TEFLON\* WITH HASTELLOY SPRING

PART #	LIST PRICE
472-20-VTH	\$ 747.01
472-25-VTH	\$ 953.30
472-30-VTH	\$ 1,535.63
472-40-VTH	\$ 2,465.47
472-50-VTH	\$ 3,617.47
472-60-VTH	\$ 4,114.45
472-80-VTH	\$ 9,035.35
472-100-VTH	\$ 9,231.17
472-120-VTH	\$ 12,815.80

\* Teflon encapsulated Viton O-Ring



## PVC/PP/PVDF Spacers for Wafer Check Valves

### PVC

SIZE	PART #	LIST PRICE
2"	3-20-7	\$ 89.67
2-1/2"	3-25-7	\$ 109.89
3"	3-30-7	\$ 150.05
4"	3-40-7	\$ 183.18
5"	3-50-7	\$ 305.29
6"	3-60-7	\$ 305.29
8"	3-80-7	\$ 447.75
10"	3-100-7	\$ 1,172.30
12"	3-120-7	\$ 1,549.53
14"	3-140-7	\$ 6,618.59
16"	3-160-7	\$ 8,909.78

### PP

PART #	LIST PRICE
4-20-7	\$ 99.31
4-25-7	\$ 121.81
4-30-7	\$ 166.21
4-40-7	\$ 202.97
4-50-7	\$ 338.26
4-60-7	\$ 338.25
4-80-7	\$ 495.94
4-100-7	\$ 4,667.95
4-120-7	\$ 6,349.19

### PVDF

PART #	LIST PRICE
5-20-7	\$ 901.18
5-25-7	\$ 1,104.27
5-30-7	\$ 1,507.85
5-40-7	\$ 1,840.65
5-50-7	Please call
5-60-7	Please call
5-80-7	Please call
5-100-7	Please call
5-120-7	Please call



## S4 Series Industrial PVC True Union Spring Check Valves

### Features:

- Spring cracking pressure: 1 psi
- CRN No. 0C13843.5 & 0C13843.56

### PVC/EPDM WITH STAINLESS STEEL SPRING

SIZE	END CONN.	PART #	LIST PRICE	CARTON QTY
1/2"	Socket	3-050	\$ 64.43	20
	Threaded	3-051	\$ 67.64	20

SIZE	END CONN.	PART #	LIST PRICE	CARTON QTY
1-1/2"	Socket	3-150	\$ 134.58	10
	Threaded	3-151	\$ 141.32	10

3/4"	Socket	3-075	\$ 77.27	20
	Threaded	3-076	\$ 81.15	20

2"	Socket	3-200	\$ 182.49	8
	Threaded	3-201	\$ 191.62	8

1"	Socket	3-100	\$ 91.24	15
	Threaded	3-101	\$ 95.80	15

2-1/2"	Socket	3-250	\$ 381.37	4
	Threaded	3-251	\$ 400.44	4

1-1/4"	Socket	3-125	\$ 112.06	20
	Threaded	3-126	\$ 117.66	20

3"	Socket	3-300	\$ 470.27	1
	Threaded	3-301	\$ 493.77	1

### PVC/EPDM WITH TEFLON ENCAPSULATED STAINLESS STEEL SPRING

SIZE	END CONN.	PART #	LIST PRICE	CARTON QTY
1/2"	Socket	3-050P	\$ 79.97	20
	Threaded	3-051P	\$ 81.59	20

SIZE	END CONN.	PART #	LIST PRICE	CARTON QTY
1-1/2"	Socket	3-150P	\$ 166.93	10
	Threaded	3-151P	\$ 170.22	10

3/4"	Socket	3-075P	\$ 95.84	20
	Threaded	3-076P	\$ 97.78	20

2"	Socket	3-200P	\$ 226.62	8
	Threaded	3-201P	\$ 231.14	8

1"	Socket	3-100P	\$ 113.25	15
	Threaded	3-101P	\$ 115.51	15

2-1/2"	Socket	3-250P	\$ 474.22	4
	Threaded	3-251P	\$ 483.69	4

1-1/4"	Socket	3-125P	\$ 139.67	20
	Threaded	3-126P	\$ 142.49	20

3"	Socket	3-300P	\$ 585.22	1
	Threaded	3-301P	\$ 596.95	1

# CRN CERTIFIED



## S4 Series Industrial PVC Double Union Spring Check Valves

### PVC/EPDM WITH HASTELLOY SPRING

SIZE	END CONN.	PART #	LIST PRICE	CARTON QTY
1/2"	Socket	3-050H	\$ 95.92	10
	Threaded	3-051H	\$ 97.89	10

SIZE	END CONN.	PART #	LIST PRICE	CARTON QTY
1-1/2"	Socket	3-150H	\$ 200.22	5
	Threaded	3-151H	\$ 204.21	5

3/4"	Socket	3-075H	\$ 115.00	10
	Threaded	3-076H	\$ 117.35	10

2"	Socket	3-200H	\$ 271.98	4
	Threaded	3-201H	\$ 277.35	4

1"	Socket	3-100H	\$ 135.85	8
	Threaded	3-101H	\$ 138.56	8

1-1/4"	Socket	3-125H	\$ 167.63	5
	Threaded	3-126H	\$ 170.98	5

### PVC/VITON WITH STAINLESS STEEL SPRING

SIZE	END CONN.	PART #	LIST PRICE	CARTON QTY
1/2"	Socket	3-050-V	\$ 77.27	20
	Threaded	3-051-V	\$ 81.15	20

SIZE	END CONN.	PART #	LIST PRICE	CARTON QTY
1-1/2"	Socket	3-150-V	\$ 160.96	10
	Threaded	3-151-V	\$ 169.00	10

3/4"	Socket	3-075-V	\$ 93.23	20
	Threaded	3-076-V	\$ 97.90	20

2"	Socket	3-200-V	\$ 211.29	8
	Threaded	3-201-V	\$ 221.86	8

1"	Socket	3-100-V	\$ 110.35	15
	Threaded	3-101-V	\$ 115.87	15

2-1/2"	Socket	3-250-V	\$ 438.40	4
	Threaded	3-251-V	\$ 460.32	4

1-1/4"	Socket	3-125-V	\$ 134.58	20
	Threaded	3-126-V	\$ 141.32	20

3"	Socket	3-300-V	\$ 558.01	1
	Threaded	3-301-V	\$ 585.93	1



## S4 Series Industrial PVC Double Union Spring Check Valves

### PVC/VITON WITH TEFLON ENCAPSULATED STAINLESS STEEL SPRING

SIZE	END CONN.	PART #	LIST PRICE	CARTON QTY
1/2"	Socket	3-050-VT	\$ 86.78	20
	Threaded	3-051-VT	\$ 91.13	20

SIZE	END CONN.	PART #	LIST PRICE	CARTON QTY
1-1/2"	Socket	3-150-VT	\$ 180.46	10
	Threaded	3-151-VT	\$ 189.49	10

3/4"	Socket	3-075-VT	\$ 104.67	20
	Threaded	3-076-VT	\$ 109.90	20

2"	Socket	3-200-VT	\$ 237.20	8
	Threaded	3-201-VT	\$ 249.05	8

1"	Socket	3-100-VT	\$ 124.31	15
	Threaded	3-101-VT	\$ 130.52	15

2-1/2"	Socket	3-250-VT	\$ 539.40	4
	Threaded	3-251-VT	\$ 550.09	4

1-1/4"	Socket	3-125-VT	\$ 150.78	20
	Threaded	3-126-VT	\$ 158.34	20

3"	Socket	3-300-VT	\$ 667.27	1
	Threaded	3-301-VT	\$ 680.62	1

### PVC/VITON WITH HASTELLOY SPRING

SIZE	END CONN.	PART #	LIST PRICE	CARTON QTY
1/2"	Socket	3-050-VH	\$ 99.22	10
	Threaded	3-051-VH	\$ 101.70	10

SIZE	END CONN.	PART #	LIST PRICE	CARTON QTY
1-1/2"	Socket	3-150-VH	\$ 207.85	5
	Threaded	3-151-VH	\$ 211.96	5

3/4"	Socket	3-075-VH	\$ 119.73	10
	Threaded	3-076-VH	\$ 122.09	10

2"	Socket	3-200-VH	\$ 282.85	4
	Threaded	3-201-VH	\$ 288.51	4

1"	Socket	3-100-VH	\$ 140.76	8
	Threaded	3-101-VH	\$ 143.59	8

1-1/4"	Socket	3-125-VH	\$ 173.29	5
	Threaded	3-126-VH	\$ 176.76	5



## S4 Series Industrial CPVC Double Union Spring Check Valves

### CPVC/EPDM WITH STAINLESS STEEL SPRING

SIZE	END CONN.	PART #	LIST PRICE	CARTON QTY
1/2"	Socket	6-050	\$ 93.34	10
	Threaded	6-051	\$ 98.00	10

SIZE	END CONN.	PART #	LIST PRICE	CARTON QTY
1-1/4"	Socket	6-125	\$ 162.09	5
	Threaded	6-126	\$ 170.19	5

3/4"	Socket	6-075	\$ 111.91	10
	Threaded	6-076	\$ 117.51	10

1-1/2"	Socket	6-150	\$ 194.75	5
	Threaded	6-151	\$ 204.49	5

1"	Socket	6-100	\$ 132.19	8
	Threaded	6-101	\$ 138.80	8

2"	Socket	6-200	\$ 264.12	4
	Threaded	6-201	\$ 277.33	4

### CPVC/EPDM WITH TEFLON ENCAPSULATED STAINLESS STEEL SPRING

SIZE	END CONN.	PART #	LIST PRICE	CARTON QTY
1/2"	Socket	6-050P	\$ 102.58	10
	Threaded	6-051P	\$ 107.70	10

SIZE	END CONN.	PART #	LIST PRICE	CARTON QTY
1-1/4"	Socket	6-125P	\$ 179.04	5
	Threaded	6-126P	\$ 188.00	5

3/4"	Socket	6-075P	\$ 122.86	10
	Threaded	6-076P	\$ 128.99	10

1-1/2"	Socket	6-150P	\$ 213.87	5
	Threaded	6-151P	\$ 224.55	5

1"	Socket	6-100P	\$ 145.30	8
	Threaded	6-101P	\$ 152.57	8

2"	Socket	6-200P	\$ 290.59	4
	Threaded	6-201P	\$ 305.12	4



## S4 Series Industrial CPVC Double Union Spring Check Valves

### CPVC/EPDM WITH HASTELLOY SPRING

SIZE	END CONN.	PART #	LIST PRICE	CARTON QTY
1/2"	Socket	6-050H	\$ 121.76	10
	Threaded	6-051H	\$ 126.28	10

SIZE	END CONN.	PART #	LIST PRICE	CARTON QTY
1-1/4"	Socket	6-125H	\$ 218.73	5
	Threaded	6-126H	\$ 226.62	5

3/4"	Socket	6-075H	\$ 139.80	10
	Threaded	6-076H	\$ 145.44	10

1-1/2"	Socket	6-150H	\$ 251.43	5
	Threaded	6-151H	\$ 260.45	5

1"	Socket	6-100H	\$ 160.10	8
	Threaded	6-101H	\$ 166.86	8

2"	Socket	6-200H	\$ 320.20	4
	Threaded	6-201H	\$ 332.61	4

### CPVC/VITON WITH STAINLESS STEEL SPRING

SIZE	END CONN.	PART #	LIST PRICE	CARTON QTY
1/2"	Socket	6-050-V	\$ 111.91	10
	Threaded	6-051-V	\$ 117.51	10

SIZE	END CONN.	PART #	LIST PRICE	CARTON QTY
1-1/4"	Socket	6-125-V	\$ 194.75	5
	Threaded	6-126-V	\$ 204.49	5

3/4"	Socket	6-075-V	\$ 134.98	10
	Threaded	6-076-V	\$ 141.72	10

1-1/2"	Socket	6-150-V	\$ 232.89	5
	Threaded	6-151-V	\$ 244.54	5

1"	Socket	6-100-V	\$ 159.93	8
	Threaded	6-101-V	\$ 167.93	8

2"	Socket	6-200-V	\$ 306.04	4
	Threaded	6-201-V	\$ 321.33	4



## S4 Series Industrial CPVC Double Union Spring Check Valves

### CPVC/VITON WITH TEFLON ENCAPSULATED STAINLESS STEEL SPRING

SIZE	END CONN.	PART #	LIST PRICE	CARTON QTY
1/2"	Socket	6-050-VT	\$ 122.86	10
	Threaded	6-051-VT	\$ 128.99	10

SIZE	END CONN.	PART #	LIST PRICE	CARTON QTY
1-1/4"	Socket	6-125-VT	\$ 213.87	5
	Threaded	6-126-VT	\$ 224.55	5

3/4"	Socket	6-075-VT	\$ 148.62	10
	Threaded	6-076-VT	\$ 156.04	10

1-1/2"	Socket	6-150-VT	\$ 256.05	5
	Threaded	6-151-VT	\$ 268.85	5

1"	Socket	6-100-VT	\$ 176.35	8
	Threaded	6-101-VT	\$ 185.17	8

2"	Socket	6-200-VT	\$ 336.55	4
	Threaded	6-201-VT	\$ 353.38	4

### CPVC/VITON WITH HASTELLOY SPRING

SIZE	END CONN.	PART #	LIST PRICE	CARTON QTY
1/2"	Socket	6-050-VH	\$ 139.80	10
	Threaded	6-051-VH	\$ 145.44	10

SIZE	END CONN.	PART #	LIST PRICE	CARTON QTY
1-1/4"	Socket	6-125-VH	\$ 252.55	5
	Threaded	6-126-VH	\$ 260.45	5

3/4"	Socket	6-075-VH	\$ 163.48	10
	Threaded	6-076-VH	\$ 170.25	10

1-1/2"	Socket	6-150-VH	\$ 289.76	5
	Threaded	6-151-VH	\$ 301.04	5

1"	Socket	6-100-VH	\$ 188.29	8
	Threaded	6-101-VH	\$ 196.18	8

2"	Socket	6-200-VH	\$ 361.92	4
	Threaded	6-201-VH	\$ 377.71	4



## S4 Series Industrial CPVC Double Union Spring Check Valves

### CPVC/EPDM WITH TITANIUM SPRING

SIZE	END CONN.	PART #	LIST PRICE	CARTON QTY
1/2"	Socket	6-050-Ti	\$ 149.96	10
	Threaded	6-051-Ti	\$ 154.46	10

SIZE	END CONN.	PART #	LIST PRICE	CARTON QTY
1-1/4"	Socket	6-125-Ti	\$ 246.92	5
	Threaded	6-126-Ti	\$ 254.81	5

3/4"	Socket	6-075-Ti	\$ 168.00	10
	Threaded	6-076-Ti	\$ 173.63	10

1-1/2"	Socket	6-150-Ti	\$ 279.61	5
	Threaded	6-151-Ti	\$ 288.63	5

1"	Socket	6-100-Ti	\$ 188.29	8
	Threaded	6-101-Ti	\$ 195.06	8

2"	Socket	6-200-Ti	\$ 348.39	4
	Threaded	6-201-Ti	\$ 361.92	4

### CPVC/VITON WITH TITANIUM SPRING

SIZE	END CONN.	PART #	LIST PRICE	CARTON QTY
1/2"	Socket	6-050-VTi	\$ 168.00	10
	Threaded	6-051-VTi	\$ 173.63	10

SIZE	END CONN.	PART #	LIST PRICE	CARTON QTY
1-1/4"	Socket	6-125-VTi	\$ 280.74	5
	Threaded	6-126-VTi	\$ 260.45	5

3/4"	Socket	6-075-VTi	\$ 191.67	10
	Threaded	6-076-VTi	\$ 198.44	10

1-1/2"	Socket	6-150-VTi	\$ 317.95	5
	Threaded	6-151-VTi	\$ 329.22	5

1"	Socket	6-100-VTi	\$ 216.48	8
	Threaded	6-101-VTi	\$ 224.37	8

2"	Socket	6-200-VTi	\$ 390.10	4
	Threaded	6-201-VTi	\$ 405.89	4





## S4 Series Industrial PP Double Union Spring Check Valves

### PP/EPDM WITH TEFLON ENCAPSULATED STAINLESS STEEL SPRING

#### METRIC END CONNECTIONS

SIZE	END CONN.	PART #	LIST PRICE
1/2"	Socket	4-050	\$ 124.74
	Threaded	4-051	\$ 130.99

SIZE	END CONN.	PART #	LIST PRICE
1-1/2"	Socket	4-150	\$ 253.17
	Threaded	4-151	\$ 265.83

3/4"	Socket	4-075	\$ 143.69
	Threaded	4-076	\$ 150.91

2"	Socket	4-200	\$ 343.73
	Threaded	4-201	\$ 360.91

1"	Socket	4-100	\$ 167.12
	Threaded	4-101	\$ 175.47

2-1/2"	Socket	4-250	\$ 827.38
	Threaded	4-251	\$ 868.14

1-1/4"	Socket	4-125	\$ 202.65
	Threaded	4-126	\$ 212.78

3"	Socket	4-300	\$ 1,067.17
	Threaded	4-301	\$ 1,120.52

### PP/EPDM WITH HASTELLOY SPRING

#### IMPERIAL END CONNECTIONS

SIZE	END CONN.	PART #	LIST PRICE
1/2"	Socket	122290H	\$ 153.34
	Threaded	122290HT	\$ 158.98

SIZE	END CONN.	PART #	LIST PRICE
1-1/4"	Socket	122898H	\$ 259.31
	Threaded	122898HT	\$ 269.47

3/4"	Socket	122896H	\$ 171.38
	Threaded	122896HT	\$ 179.27

1-1/2"	Socket	122288H	\$ 310.06
	Threaded	122288HT	\$ 322.45

1"	Socket	122897HT	\$ 195.06
	Threaded	122897HT	\$ 204.08

2"	Socket	122289H	\$ 400.26
	Threaded	122289HT	\$ 417.16



## S4 Series Industrial PP Double Union Spring Check Valves Metric end connections

### PP/VITON WITH TEFLON ENCAPSULATED STAINLESS STEEL SPRING

SIZE	END CONN.	PART #	LIST PRICE
1/2"	Socket	4-050-VT	\$ 143.69
	Threaded	4-051-VT	\$ 150.87

SIZE	END CONN.	PART #	LIST PRICE
1-1/2"	Socket	4-150-VT	\$ 291.23
	Threaded	4-151-VT	\$ 305.79

3/4"	Socket	4-075-VT	\$ 167.12
	Threaded	4-076-VT	\$ 175.47

2"	Socket	4-200-VT	\$ 386.46
	Threaded	4-201-VT	\$ 405.78

1"	Socket	4-100-VT	\$ 196.10
	Threaded	4-101-VT	\$ 205.90

2-1/2"	Socket	4-250-VT	\$ 912.08
	Threaded	4-251-VT	\$ 957.69

1-1/4"	Socket	4-125-VT	\$ 236.92
	Threaded	4-126-VT	\$ 248.77

3"	Socket	4-300-VT	\$ 1,199.27
	Threaded	4-301-VT	\$ 1,259.24

### PP/VITON WITH HASTELLOY SPRING

SIZE	END CONN.	PART #	LIST PRICE
1/2"	Socket	4-050-VH	\$ 171.38
	Threaded	4-051-VH	\$ 179.27

SIZE	END CONN.	PART #	LIST PRICE
1-1/4"	Socket	4-125-VH	\$ 293.14
	Threaded	4-126-VH	\$ 304.41

3/4"	Socket	4-075-VH	\$ 195.06
	Threaded	4-076-VH	\$ 204.08

1-1/2"	Socket	4-150-VH	\$ 347.26
	Threaded	4-151-VH	\$ 361.92

1"	Socket	4-100-VH	\$ 224.37
	Threaded	4-101-VH	\$ 234.51

2"	Socket	4-200-VH	\$ 443.10
	Threaded	4-201-VH	\$ 462.26



## S4 Series Industrial PVDF Double Union Spring Check Valves

### PVDF/VITON WITH TEFLON ENCAPSULATED STAINLESS STEEL SPRING

SIZE	END CONN.	PART #	LIST PRICE
1/2"	Socket	5-050V	\$ 456.01
	Threaded	5-051VT	\$ 478.79
	Spigot	-121677	\$ 456.01

SIZE	END CONN.	PART #	LIST PRICE
1-1/2"	Socket	5-150V	\$ 1,268.57
	Threaded	5-151VT	\$ 1,331.99
	Spigot	-121681	\$ 1,268.57

3/4"	Socket	5-075V	\$ 572.95
	Threaded	5-076VT	\$ 601.58
	Spigot	-121678	\$ 572.95

2"	Socket	5-200V	\$ 1,704.45
	Threaded	5-201VT	\$ 1,789.68
	Spigot	-121682	\$ 1,704.45

1"	Socket	5-100V	\$ 674.09
	Threaded	5-101VT	\$ 707.79
	Spigot	-121679	\$ 674.09

2-1/2"	Socket	5-250V	\$ 2,465.32
	Threaded	5-251VT	\$ 2,588.59
	Spigot	-121683	\$ 2,465.32

1-1/4"	Socket	5-125V	\$ 983.15
	Threaded	5-126VT	\$ 1,032.30
	Spigot	-121680	\$ 983.15

3"	Socket	5-300V	\$ 3,250.25
	Threaded	5-301VT	\$ 3,412.75
	Spigot	-121684	\$ 3,250.25

### PVDF/VITON WITH HASTELLOY SPRING

SIZE	END CONN.	PART #	LIST PRICE
1/2"	Socket	5-050H	\$ 483.69
	Threaded	5-051HT	\$ 507.36
	Spigot	-121677	\$ 483.69

SIZE	END CONN.	PART #	LIST PRICE
1-1/4"	Socket	5-125H	\$ 1,039.52
	Threaded	5-126HT	\$ 1,089.13
	Spigot	-121680	\$ 1,039.52

3/4"	Socket	5-075H	\$ 600.95
	Threaded	5-076HT	\$ 630.26
	Spigot	-121678	\$ 600.95

1-1/2"	Socket	5-150H	\$ 1,324.77
	Threaded	5-151HT	\$ 1,387.91
	Spigot	-121681	\$ 1,324.77

1"	Socket	5-100H	\$ 702.42
	Threaded	5-101HT	\$ 736.24
	Spigot	-121679	\$ 702.42

2"	Socket	5-200H	\$ 1,759.98
	Threaded	5-201HT	\$ 1,845.66
	Spigot	-121682	\$ 1,759.98



## T4 Series Industrial PVC True Union Diaphragm Valves with Socket Ends

### EPDM

SIZE	PART #	LIST PRICE
1/2"	122-905	\$ 146.78
3/4"	122-906	\$ 160.64
1"	122-907	\$ 199.92
1-1/4"	122-908	\$ 283.14
1-1/2"	122-909	\$ 318.96
2"	122-910	\$ 380.22

### VITON

PART #	LIST PRICE
122-911	\$ 279.67
122-912	\$ 293.53
122-913	\$ 336.31
122-914	\$ 473.81
122-915	\$ 516.59
122-916	\$ 655.25

### TEFLON\*

PART #	LIST PRICE
122-926	\$ 295.85
122-927	\$ 309.37
122-928	\$ 354.79
122-929	\$ 501.55
122-930	\$ 546.63
122-931	\$ 689.93

True Union design up to 2" only

## FLANGED ENDS (Solid flange)

### EPDM

SIZE	PART #	LIST PRICE
1/2"	126-230	\$ 174.01
3/4"	126-231	\$ 193.50
1"	124-336	\$ 234.07
1-1/4"	124-337	\$ 358.09
1-1/2"	124-338	\$ 386.73
2"	126-236	\$ 477.45
2-1/2"	124-340	\$ 1,041.96
3"	120-200	\$ 1,236.89
4"	120-898	\$ 1,771.25
5"	120-899	\$ 2,218.08

### TEFLON\*

PART #	LIST PRICE
126-941	\$ 342.82
126-942	\$ 356.38
126-493	\$ 421.99
128-889	\$ 654.96
126-940	\$ 685.65
128-354	\$ 860.40
126-234	\$ 1,646.84
120-228	\$ 1,834.95
120-896	\$ 3,388.73
120-897	\$ 4,094.39

(\*)Teflon (PTFE) bonded to EPDM backing



## T4 Series Industrial PP Diaphragm Valves with Metric Spigot Ends

### EPDM

SIZE	PART #	LIST PRICE
1/2" - DN15 (d20)	120-150	\$ 184.33
3/4" - DN20 (d25)	120-154	\$ 206.87
1" - DN25 (d32)	120-155	\$ 263.41
1-1/4" - DN32 (d40)	120-156	\$ 306.67
1-1/2" - DN40 (d50)	120-157	\$ 403.76
2" - DN50 (d63)	120-158	\$ 505.27
2-1/2" - DN65 (d75)	120-159	\$ 1,181.50
3" - DN80 (d90)	120-160	\$ 1,283.10
4" - DN100 (d110)	120-902	\$ 2,167.82

### TEFLON\*

PART #	LIST PRICE
120-173	\$ 374.61
120-175	\$ 397.94
120-177	\$ 462.19
120-178	\$ 585.05
120-179	\$ 701.90
120-180	\$ 896.82
120-181	\$ 1,665.07
120-182	\$ 1,774.19
120-905	\$ 3,667.56

(\*) Teflon (PTFE) bonded to EPDM backing



## T4 Series Industrial PP True Union Diaphragm Valves with Metric Socket Ends

### EPDM

SIZE	PART #	LIST PRICE
1/2" - DN15 (d20)	125-038	\$ 228.40
3/4" - DN20 (d25)	125-039	\$ 240.06
1" - DN25 (d32)	125-040	\$ 292.57
1-1/4" - DN32 (d40)	125-041	\$ 351.26
1-1/2" - DN40 (d50)	125-042	\$ 454.37
2" - DN50 (d63)	125-043	\$ 553.73

### TEFLON\*

PART #	LIST PRICE
125-050	\$ 413.47
125-051	\$ 431.05
125-052	\$ 489.57
125-053	\$ 631.90
125-054	\$ 709.90
125-055	\$ 916.50

(\*) Teflon (PTFE) bonded to EPDM backing



**T4 Series Industrial  
PVDF Diaphragm Valves with metric ends  
(Teflon {PTFE} bonded to EPDM backing)**

**SPIGOT**

SIZE	PART #	LIST PRICE
1/2" - DN15 (d20)	122-798	\$ 518.01
3/4" - DN20 (d25)	122-799	\$ 553.73
1" - DN25 (d32)	122-800	\$ 643.38
1-1/4" - DN32 (d40)	122-801	\$ 960.10
1-1/2" - DN40 (d50)	122-802	\$ 1,051.65
2" - DN50 (d63)	122-803	\$ 1,374.27
2-1/2" - DN65 (d75)	120-184	\$ 2,967.37
3" - DN80 (d90)	120-185	\$ 3,744.03
4" - DN100 (d110)	120-917	\$ 5,877.48
5" - DN125 (d140)	N/A	N/A

**SOCKET**

PART #	LIST PRICE
125-074	\$ 625.45
125-075	\$ 649.32
125-076	\$ 741.22
125-077	\$ 1,155.21
125-078	\$ 1,278.69
125-079	\$ 1,735.99

**FLANGED**

PART #	LIST PRICE
120-261	\$ 589.73
120-265	\$ 638.77
120-270	\$ 727.28
120-271	\$ 1,075.53
120-272	\$ 1,167.15
120-273	\$ 1,561.40
120-274	\$ 3,709.12
120-275	\$ 4,440.82
120-921	\$ 11,651.12
120-922	\$ 15,793.72

True Union design up to 2" only

**Note:**

mm – Metric pipe stub only for PP & PVDF



**T4 Series Industrial  
Diaphragm Gaskets – EPDM, Viton, Teflon**

**EPDM**

SIZE	PART #	LIST PRICE
1/2"	-50457	\$ 39.13
3/4"	-50457	\$ 39.13
1"	-50458	\$ 41.47
1-1/4"	-50459	\$ 47.30
1-1/2"	-50459	\$ 47.30
2"	-50460	\$ 49.27
2-1/2"	-120933	\$ 101.97
3"	-120933	\$ 101.97
4"	-120934	\$ 231.28
5"	-120934	\$ 231.28

**VITON**

PART #	LIST PRICE
-50465	\$ 183.18
-50465	\$ 183.18
-50466	\$ 189.37
-50467	\$ 210.01
-50467	\$ 210.01
-50468	\$ 444.22
-120935	\$ 604.79
-120935	\$ 604.79
-120936	\$ 666.27
-120936	\$ 666.27

**TEFLON  
(EPDM BONDED)**

PART #	LIST PRICE
-50473	\$ 79.16
-50473	\$ 79.16
-50474	\$ 88.59
-50475	\$ 109.85
-50475	\$ 109.85
-50476	\$ 124.03
-120918	\$ 604.79
-120918	\$ 604.79
-120919	\$ 1,631.41
-120919	\$ 1,631.41



## PVC Knife Gate Valves

SIZE	PART #	DESCRIPTION	LIST PRICE	CARTON QTY.
1"	100-GATE	Socket X Socket	\$ 19.97	30
1-1/2"	150-GATE	Socket X Socket (White)	\$ 19.97	24
1-1/2"	150-HB4PMT	Pool Hose X MIP	\$ 20.57	18
1-1/2"	150-SLSP	Socket X Spigot	\$ 19.97	24
1-1/2"	151-GFFT	FIP X FIP (Black)	\$ 20.57	24
1-1/2"	151-GMFT	MIP X FIP (Black)	\$ 20.57	18
2"	200-GATE	Socket X Socket (White)	\$ 26.63	25
2"	200-SLSP	Socket X Spogot (White)	\$ 26.63	25
3"	300-GATE	Socket X Socket (Grey)	\$ 97.54	2
3"	300-GV16	Socket X Socket (White)	\$ 59.22	4
4"	400-GATE	Socket X Socket (Grey)	\$ 131.67	2

**Note:** Air actuated gate valves available. See next page



## Air Actuated Gate Valves

SIZE	PART #	DESCRIPTION	LIST PRICE
2"	200-GAIRMAG	2" GATE VALVE WITH AIR ACTUATOR D.A., MAGNETIC PISTON	\$ 434.29
3"	300-GAIRMAG	3" GATE VALVE WITH AIR ACTUATOR D.A., MAGNETIC PISTON	\$ 926.64
4"	400-GAIRMAG	4" GATE VALVE WITH AIR ACTUATOR D.A., MAGNETIC PISTON	\$ 926.64

\* With 1/8" FNPT ports, 316SS shaft.

### Options and Accessories - Add to the price of valve

Option	Code#	List Price
Proximity Switch*	GVPS	\$ 418.52

\* Will only work with magnetic piston cylinders





## S4 Series Industrial PVC True Union Inline Strainers with EPDM O-Rings



### 1800 MICRON (11 MESH)

#### PP SCREEN

SIZE	PART #	LIST PRICE	CARTON QTY
3/8"	120-557	\$ 68.38	20
1/2"	120-558	\$ 70.43	20
3/4"	120-559	\$ 84.26	20
1"	120-560	\$ 99.72	15
1-1/4"	120-561	\$ 122.38	20
1-1/2"	120-562	\$ 146.84	10
2"	120-563	\$ 199.31	8
2-1/2"	120-564	\$ 416.74	4
3"	120-565	\$ 513.97	1
4"	121-044	\$ 707.96	1

### 1000 MICRON (18 MESH)

#### SS SCREEN

SIZE	PART #	LIST PRICE
3/8"	124-73510	\$ 79.79
1/2"	124-73610	\$ 86.04
3/4"	124-73710	\$ 101.86
1"	124-73810	\$ 113.99
1-1/4"	124-73910	\$ 137.73
1-1/2"	124-74010	\$ 166.86
2"	124-74110	\$ 223.34
2-1/2"	124-74210	\$ 456.07
3"	124-74310	\$ 558.80
4"	124-74410	\$ 789.65

### 750 MICRON (24 MESH)

#### SS SCREEN

SIZE	PART #	LIST PRICE
3/8"	124-73507	\$ 79.79
1/2"	124-73607	\$ 86.04
3/4"	124-73707	\$ 101.86
1"	124-73807	\$ 113.99
1-1/4"	124-73907	\$ 137.73
1-1/2"	124-74007	\$ 166.86
2"	124-74107	\$ 223.34
2-1/2"	124-74207	\$ 456.07
3"	124-74307	\$ 558.80
4"	124-74407	\$ 789.65

### 500 MICRON (35 MESH)

#### SS SCREEN

SIZE	PART #	LIST PRICE
3/8"	124-73505	\$ 79.79
1/2"	124-73605	\$ 86.04
3/4"	124-73705	\$ 101.86
1"	124-73805	\$ 113.99
1-1/4"	124-73905	\$ 137.73
1-1/2"	124-74005	\$ 166.86
2"	124-74105	\$ 223.34
2-1/2"	124-74205	\$ 456.07
3"	124-74305	\$ 558.80
4"	124-74405	\$ 789.65

### 250 MICRON (60 MESH)

#### SS SCREEN

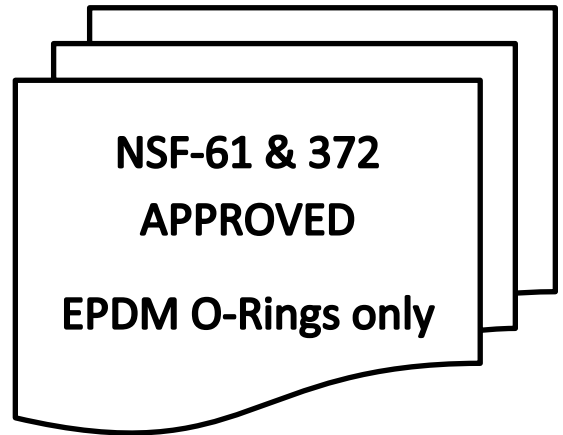
SIZE	PART #	LIST PRICE
3/8"	124-73525	\$ 79.79
1/2"	124-73625	\$ 86.04
3/4"	124-73725	\$ 101.86
1"	124-73825	\$ 113.99
1-1/4"	124-73925	\$ 137.73
1-1/2"	124-74025	\$ 166.86
2"	124-74125	\$ 223.34

#### Note:

1800 Micron = 11 MESH (Coarse)  
 1000 Micron = 18 MESH (Medium)  
 750 Micron = 24 MESH (Medium)  
 500 Micron = 35 MESH (Fine)  
 250 Micron = 60 MESH (Fine)

#### Available Options:

Add 'T' to the end of the part number for threaded ends at an increased price of 5%.





## S4 Series Industrial PVC True Union Inline Strainers with Viton O-Rings

### 1800 MICRON (11 MESH)

#### PP SCREEN

SIZE	PART #	LIST PRICE
3/8"	120-715	\$ 99.35
1/2"	120-716	\$ 103.72
3/4"	120-717	\$ 127.53
1"	120-718	\$ 150.96
1-1/4"	120-719	\$ 183.35
1-1/2"	120-720	\$ 218.17
2"	120-721	\$ 288.89
2-1/2"	120-722	\$ 599.69
3"	120-723	\$ 760.42
4"	120-350	\$ 881.04

### 1000 MICRON (18 MESH)

#### SS SCREEN

SIZE	PART #	LIST PRICE
3/8"	124-73510V	\$ 119.22
1/2"	124-73610V	\$ 124.47
3/4"	124-73710V	\$ 153.03
1"	124-73810V	\$ 181.15
1-1/4"	124-73910V	\$ 218.88
1-1/2"	124-74010V	\$ 261.80
2"	124-74110V	\$ 346.67
2-1/2"	124-74210V	\$ 719.63
3"	124-74310V	\$ 912.51
4"	124-74410V	\$ 1,057.25

### 750 MICRON (24 MESH)

#### SS SCREEN

SIZE	PART #	LIST PRICE
3/8"	124-73507V	\$ 119.22
1/2"	124-73607V	\$ 124.47
3/4"	124-73707V	\$ 153.03
1"	124-73807V	\$ 181.15
1-1/4"	124-73907V	\$ 218.88
1-1/2"	124-74007V	\$ 261.80
2"	124-74107V	\$ 346.67
2-1/2"	124-74207V	\$ 719.63
3"	124-74307V	\$ 912.51
4"	124-74407V	\$ 1,057.25

### 500 MICRON (35 MESH)

#### SS SCREEN

SIZE	PART #	LIST PRICE
3/8"	124-73505V	\$ 119.22
1/2"	124-73605V	\$ 124.47
3/4"	124-73705V	\$ 153.03
1"	124-73805V	\$ 181.15
1-1/4"	124-73905V	\$ 218.88
1-1/2"	124-74005V	\$ 261.80
2"	124-74105V	\$ 346.67
2-1/2"	124-74205V	\$ 719.63
3"	124-74305V	\$ 912.51
4"	124-74405V	\$ 1,057.25

### 250 MICRON (60 MESH)

#### SS SCREEN

SIZE	PART #	LIST PRICE
3/8"	124-73525V	\$ 119.22
1/2"	124-73625V	\$ 124.47
3/4"	124-73725V	\$ 153.03
1"	124-73825V	\$ 181.15
1-1/4"	124-73925V	\$ 218.88
1-1/2"	124-74025V	\$ 261.80
2"	124-74125V	\$ 346.67

**Note:**

1800 Micron = 11 MESH (Coarse)  
 1000 Micron = 18 MESH (Medium)  
 750 Micron = 24 MESH (Medium)  
 500 Micron = 35 MESH (Fine)  
 250 Micron = 60 MESH (Fine)

**Available Options:**

Add 'T' to the end of the part number for threaded ends at an increased price of 5%.



## CR4 Series Industrial 690 Micron (26 Mesh) True Union Inline Strainers with Corrosion Resistant Screen

### PVC BODY/EPDM O-RINGS/ ASTM SOCKET

SIZE	PART #	LIST PRICE
3/8"	CR4-0381ES70	\$ 115.00
1/2"	CR4-0501ES70	\$ 115.00
3/4"	CR4-0751ES70	\$ 115.00
1"	CR4-1001ES70	\$ 115.00
1-1/4"	CR4-1251ES70	\$ 155.64
1-1/2"	CR4-1501ES70	\$ 200.01
2"	CR4-2001ES70	\$ 222.25

### PVC BODY/VITON O-RINGS/ ASTM SOCKET

SIZE	PART #	LIST PRICE
3/8"	CR4-0381VS70	\$ 124.75
1/2"	CR4-0501VS70	\$ 124.75
3/4"	CR4-0751VS70	\$ 124.75
1"	CR4-1001VS70	\$ 124.75
1-1/4"	CR4-1251VS70	\$ 172.99
1-1/2"	CR4-1501VS70	\$ 222.25
2"	CR4-2001VS70	\$ 247.01

### PP BODY/EPDM O-RINGS/ METRIC SOCKET

SIZE	PART #	LIST PRICE
3/8"	CR4-0382ES70	\$ 260.17
1/2"	CR4-0502ES70	\$ 260.17
3/4"	CR4-0752ES70	\$ 260.17
1"	CR4-1002ES70	\$ 260.17
1-1/4"	CR4-1252ES70	\$ 357.26
1-1/2"	CR4-1502ES70	\$ 459.18
2"	CR4-2002ES70	\$ 510.57

### PP BODY/VITON O-RINGS/ METRIC SOCKET

SIZE	PART #	LIST PRICE
3/8"	CR4-0382VS70	\$ 286.30
1/2"	CR4-0502VS70	\$ 286.30
3/4"	CR4-0752VS70	\$ 286.30
1"	CR4-1002VS70	\$ 286.30
1-1/4"	CR4-1252VS70	\$ 392.91
1-1/2"	CR4-1502VS70	\$ 505.17
2"	CR4-2002VS70	\$ 561.28

### PVDF BODY/EPDM O-RINGS/ METRIC SOCKET

SIZE	PART #	LIST PRICE
3/8"	CR4-0383ES70	\$ 440.16
1/2"	CR4-0503ES70	\$ 440.16
3/4"	CR4-0753ES70	\$ 440.16
1"	CR4-1003ES70	\$ 440.16
1-1/4"	CR4-1253ES70	\$ 604.04
1-1/2"	CR4-1503ES70	\$ 776.62
2"	CR4-2003ES70	\$ 862.73

### PVDF BODY/VITON O-RINGS/ METRIC SOCKET

SIZE	PART #	LIST PRICE
3/8"	CR4-0383VS70	\$ 489.20
1/2"	CR4-0503VS70	\$ 489.20
3/4"	CR4-0753VS70	\$ 489.20
1"	CR4-1003VS70	\$ 489.20
1-1/4"	CR4-1253VS70	\$ 670.97
1-1/2"	CR4-1503VS70	\$ 862.82
2"	CR4-2003VS70	\$ 958.88

#### Available Options:

Add 'T' to the end of the part number for threaded ends at an increased price of 5%.

## M123 Series Industrial Compact Flow Meter

- Threaded ends also available
- Head Loss: 3/8" & 1/2": 1.81" water column or 0.066 psi  
1" flow meters: 3.26" water column or 0.12 psi



### PSU BODY, PVC SOCKET, PVDF FLOAT

SIZE	RANGE (L/h)	PART #	LIST PRICE
3/8"	1.5-15	73-771	\$ 300.29
3/8"	2.5-25	73-772	\$ 300.29
3/8"	5-50	73-773	\$ 300.29
3/8"	10-100	73-774	\$ 300.29
1/2"	8-80	73-775	\$ 313.12
1/2"	15-150	73-776	\$ 313.12
1/2"	20-200	73-777	\$ 313.12
1"	15-150	73-778	\$ 331.07
1"	30-300	73-779	\$ 368.94
1"	50-500	73-780	\$ 368.94
1"	100-1000	73-781	\$ 368.94

RANGE (USGPM)	PART #	LIST PRICE
0.006-0.066	73-771US	\$ 367.55
0.01-0.11	73-772US	\$ 367.55
0.02-0.22	73-773US	\$ 367.55
0.04-0.44	73-774US	\$ 367.55
0.035-0.35	73-775US	\$ 381.08
0.06-0.66	73-776US	\$ 381.08
0.08-0.8	73-777US	\$ 381.08
0.06-0.66	73-778US	\$ 407.02
0.13-1.3	73-779US	\$ 444.22
0.22-2.2	73-780US	\$ 444.22
0.44-4.4	73-781US	\$ 444.22

## M335 Series Industrial Full Size Meter



### PA BODY, PVC SOCKET, PVDF FLOAT

SIZE	RANGE (L/h)	PART #	LIST PRICE
1"	15-150	72-614	\$ 461.37
1"	50-500	77-110	\$ 461.37
1"	100-1000	77-111	\$ 470.54
1-1/2"	200-2000	72-617	\$ 594.29
1-1/2"	300-3000	77-115	\$ 800.99
2"	600-6000	72-619	\$1,005.34
2"	1000-10000	77-118	\$1,079.11
2-1/2"	2000-20000	72-621	\$1,993.45
2-1/2"	3000-30000	77-121	\$1,993.45
2-1/2"	8000-60000	77-122	\$2,095.30

RANGE (USGPM)	PART #	LIST PRICE
0.006-0.066	72-614US	\$ 540.06
0.22-2.2	77-110US	\$ 540.06
0.44-4.4	77-111US	\$ 549.08
0.88-8.8	72-617US	\$ 673.11
1.32-13.2	77-115US	\$ 879.43
2.64-26.4	72-619US	\$ 1,083.50
4.40-44	77-118US	\$ 1,157.91
8.8-88	72-621US	\$ 2,072.17
13.2-132	77-121US	\$ 2,072.17
35.2-264	77-122US	\$ 2,173.75

ALL DATA IN THIS CHART IS BASED ON WATER AT 72° F OR 20° C

## M335 Series Industrial Full Size Meter



### PSU BODY, PVC SOCKET, PVDF FLOAT

SIZE	RANGE (L/h)	PART #	LIST PRICE
1"	15-150	73-629	\$ 541.88
1"	50-500	77-162	\$ 554.45
1"	100-1000	77-163	\$ 566.74
1-1/2"	200-2000	77-166	\$ 708.72
1-1/2"	300-3000	77-167	\$ 930.39
2"	600-6000	77-169	\$1,199.72
2"	1200-12000	73-635	\$1,325.99
2-1/2"	2000-20000	77-172	\$2,396.04
2-1/2"	3000-30000	77-173	\$2,396.04
2-1/2"	8000-60000	77-174	\$2,420.54

RANGE (USGPM)	PART #	LIST PRICE
0.006-0.066	73-629US	\$ 620.10
0.22-2.2	77-162US	\$ 633.64
0.44-4.4	77-163US	\$ 646.05
0.88-8.8	77-166US	\$ 788.10
1.32-13.2	77-167US	\$ 1,009.08
2.64-26.4	77-169US	\$ 1,278.54
5.28-52.8	73-635US	\$ 1,404.82
8.8-88	77-172US	\$ 2,474.79
13.2-132	77-173US	\$ 2,474.79
35.2-264	77-174US	\$ 2,498.46

ALL DATA IN THIS CHART IS BASED ON WATER AT 72° F OR 20° C

### Limit switches for flow meters

SWITCHING STATES	FLOAT ABOVE	FLOAT BELOW	PART #	LIST PRICE
Z40 min	Open	Closed	77287	\$ 963.87
Z42 max	Closed	Open	77288	\$ 963.87

Note: When retrofitting the flow meter with a limit switch, ensure the standard float is replaced with a solenoid float.



## Industrial PP Pipe Clips

**Material: High Impact copolymer polypropylene (grey)**



SIZE	DIAMETER RANGE (mm)	PART #	LESS THAN 1000	1000 PIECES	2000 PIECES	5000 PIECES	10,000 PIECES	CRTN QTY
3/8"	17-19 mm	PP-038	\$ 1.67	\$ 1.42	\$ 1.19	\$ 1.16	\$ 1.09	1200
1/2"	20-23 mm	PP-050	\$ 1.93	\$ 1.62	\$ 1.55	\$ 1.25	\$ 1.16	1000
3/4"	25-28 mm	PP-075	\$ 2.29	\$ 1.91	\$ 1.68	\$ 1.31	\$ 1.19	600
1"	31-35 mm	PP-100	\$ 2.73	\$ 2.27	\$ 1.96	\$ 1.55	\$ 1.41	500
1-1/4"	39-43 mm	PP-125	\$ 3.09	\$ 2.58	\$ 2.11	\$ 1.66	\$ 1.49	350
1-1/2"	47-51 mm	PP-150	\$ 3.47	\$ 2.75	\$ 2.18	\$ 1.75	\$ 1.62	225
2"	60-65 mm	PP-200	\$ 3.64	\$ 3.04	\$ 2.39	\$ 1.96	\$ 1.85	125
2-1/2"	72-77 mm	PP-250	\$ 6.80	\$ 5.65	\$ 5.35	\$ 4.87	\$ 4.53	150
3"	88-92 mm	PP-300	\$ 9.33	\$ 7.77	\$ 6.03	\$ 5.16	\$ 4.84	100



## M1 Series Industrial 2-Way Ball Valves with Actuator Adapter Set

EPDM with PTFE Seats, Imperial Socket Ends				
SIZE	PART #	BOLT CIRCL E	SQUARE COUPLING DIAGONAL	LIST PRICE
1/2"	210133	F04	11 mm	\$ 198.50
3/4"	210134	F04	11 mm	\$ 220.45
1"	210135	F04	11 mm	\$ 248.77
1-1/4"	210136	F05	11 mm	\$ 316.18
1-1/2"	210137	F05	14 mm	\$ 377.86
2"	210138	F05	14 mm	\$ 451.08
2-1/2"	210528	F07	17 mm	\$ 884.03
3"	210259	F07	17 mm	\$ 1,041.24
4"	210530	F07	17 mm	\$ 1,292.44

VITON with PTFE Seats, Imperial Socket Ends			
PART #	BOLT CIRCL E	SQUARE COUPLING DIAGONAL	LIST PRICE
210140	F04	11 mm	\$ 214.44
210141	F04	11 mm	\$ 244.11
210142	F04	11 mm	\$ 276.61
210143	F05	11 mm	\$ 361.57
210144	F05	14 mm	\$ 415.98
210145	F05	14 mm	\$ 487.16
210531	F07	17 mm	\$ 967.14
210532	F07	17 mm	\$ 1,212.32
210533	F07	17 mm	\$ 1,429.86

**Note:**

Add 'T' at the end of the part number for threaded ends at an increased price of 5%



## M1 Series Industrial PVC True Union Ball Valves with Limit Switch

Mechanical type. Inductive available upon request

\*See inside back cover for technical data

EPDM with PTFE Seats, Imperial Socket Ends		
SIZE	PART #	LIST PRICE
1/2"	510001	\$ 546.23
3/4"	510002	\$ 604.51
1"	510003	\$ 650.58
1-1/4"	510004	\$ 799.26
1-1/2"	510005	\$ 884.71
2"	510006	\$ 1,007.87

VITON with PTFE Seats, Imperial Socket Ends	
PART #	LIST PRICE
510008	\$ 562.33
510009	\$ 628.67
510010	\$ 678.72
510011	\$ 845.24
510012	\$ 923.41
510013	\$ 1,044.34



## M1 Series Industrial 2-Way True Union Ball Valves with MT Series Pneumatic Actuators



### Double Acting

PVC with EPDM O-Rings		
SIZE	PART #	LIST PRICE
1/2"	210-133D	\$ 880.65
3/4"	210-134D	\$ 902.59
1"	210-135D	\$ 930.92
1-1/2"	210-137D	\$ 1,315.14
2"	210-138D	\$ 1,388.36
2-1/2"	210-528D	\$ 2,166.32
3"	210-529D	\$ 2,323.53
4" *	210-530D	\$ 2,574.73

PVC with Viton O-Rings	
PART #	LIST PRICE
210-140D	\$ 896.58
210-141D	\$ 926.25
210-142D	\$ 958.75
210-144D	\$ 1,353.26
210-145D	\$ 1,424.44

\* 3" valve with 4" molded socket ends

### Spring Return - Specify whether fail open or fail closed

PVC with EPDM O-Rings		
SIZE	PART #	LIST PRICE
1/2"	210-133S	\$ 948.30
3/4"	210-134S	\$ 970.26
1"	210-135S	\$ 998.58
1-1/2"	210-137S	\$ 1,493.50
2"	210-138S	\$ 1,566.74
2-1/2"	210-528S	\$ 2,371.23
3"	210-529S	\$ 2,528.44
4" *	210-530S	\$ 2,779.65

PVC with Viton O-Rings	
PART #	LIST PRICE
210-140S	\$ 964.25
210-141S	\$ 993.92
210-142S	\$ 1,026.42
210-144S	\$ 1,531.64
210-145S	\$ 1,602.82

\* 3" valve with 4" molded socket ends

Add 'T' to the end of the part number for threaded ends at an increased price of 5%.

### Options and Accessories - Add to list price

Option	Item	Part#	List Price
SOLENOID VALVES	4-Way Naumur mount, NEMA 4/4X, 120 V	SV-120AC	\$ 280.84
	4-Way Naumur mount, NEMA 4/4X, 24 V a	SV-24AC	\$ 280.84
	4-Way Naumur mount, NEMA 4/4X, 24 V d	SV-24DC	\$ 280.84
LIMIT SWITCH	Mechanical limit sw itch box - NEMA 4/4X	LSB	\$ 298.48





## M1 Series Industrial 2-Way True Union Ball Valves with J Series Electric Actuators

### 24-240 VAC / VDC

PVC with EPDM O-Rings		
SIZE	PART #	LIST PRICE
1/2"	210-133S20	\$ 1,192.99
3/4"	210-134S20	\$ 1,214.93
1"	210-135S20	\$ 1,243.26
1-1/2"	210-137S20	\$ 1,372.34
2"	210-138S20	\$ 1,445.57
2-1/2"	210-528S55	\$ 2,513.96
3"	210-529S55	\$ 2,671.17
4" *	210-530S55	\$ 2,922.37

PVC with VITON O-Rings	
PART #	LIST PRICE
210-140S20	\$ 1,208.92
210-141S20	\$ 1,238.59
210-142S20	\$ 1,271.09
210-144S20	\$ 1,407.31
210-145S20	\$ 1,481.65
210-531S55	\$ 2,597.08
210-532S55	\$ 2,842.26
210-533S55	\$ 3,059.80

\* 3" valve venturied to 4"

### 12 VAC / VDC ONLY

PVC with EPDM O-Rings		
SIZE	PART #	LIST PRICE
1/2"	210-133B20	\$ 1,264.57
3/4"	210-134B20	\$ 1,287.83
1"	210-135B20	\$ 1,317.85
1-1/2"	210-137B20	\$ 1,454.68
2"	210-138B20	\$ 1,532.30
2-1/2"	210-528B55	\$ 2,664.79
3"	210-529B55	\$ 2,831.45
4" *	210-530B55	\$ 3,097.72

PVC with VITON O-Rings	
PART #	LIST PRICE
210-140B20	\$ 1,281.46
210-141B20	\$ 1,312.91
210-142B20	\$ 1,347.36
210-144B20	\$ 1,491.75
210-145B20	\$ 1,570.54
210-531B55	\$ 2,752.91
210-532B55	\$ 3,012.79
210-533B55	\$ 3,243.38

\* 3" valve venturied to 4"

Add 'T' to the end of the part number for threaded ends at an increased price of 5%.

### Options - Add to the list price

Option	Part#	J-Series List Price
4-20 mA Positioner	J-POS420	\$ 619.93
0-10 Volt Positioner	J-POS010	\$ 619.93
Electric Failsafe (Battery)	J-BAT	\$ 726.59
CSA Certification	J-CSA	\$ 450.99



## S4 Series Industrial 3-Way True Union Ball Valves with MT Series Pneumatic Actuators

### Double Acting

PVC with EPDM O-Rings, L-Port			PVC with VITON O-Rings, L-Port		PVC with EPDM O-Rings, T-Port		PVC with VITON O-Rings, T-Port	
SIZE	PART #	LIST PRICE	PART #	LIST PRICE	PART #	LIST PRICE	PART #	LIST PRICE
1/2"	BVL-105D	\$ 923.00	BVL-105DV	\$ 1,010.32	BVT-105D	\$ 923.00	BVT-105DV	\$ 1,010.32
3/4"	BVL-107D	\$ 947.62	BVL-107DV	\$ 1,040.51	BVT-107D	\$ 947.62	BVT-107DV	\$ 1,040.51
1"	BVL-110D	\$ 947.62	BVL-110DV	\$ 1,040.51	BVT-110D	\$ 947.62	BVT-110DV	\$ 1,040.51
1-1/4"	BVL-112D	\$ 1,253.03	BVL-112DV	\$ 1,385.42	BVT-112D	\$ 1,253.03	BVT-112DV	\$ 1,385.42
1-1/2"	BVL-115D	\$ 1,253.03	BVL-115DV	\$ 1,385.42	BVT-115D	\$ 1,253.03	BVT-115DV	\$ 1,385.42
2"	BVL-120D	\$ 1,350.58	BVL-120DV	\$ 1,502.71	BVT-120D	\$ 1,350.58	BVT-120DV	\$ 1,502.71

### Spring Return

PVC with EPDM O-Rings, L-Port			PVC with VITON O-Rings, L-Port		PVC with EPDM O-Rings, T-Port		PVC with VITON O-Rings, T-Port	
SIZE	PART #	LIST PRICE	PART #	LIST PRICE	PART #	LIST PRICE	PART #	LIST PRICE
1/2"	BVL-105S	\$ 853.00	BVL-105SV	\$ 869.72	BVT-105S	\$ 853.00	BVT-105SV	\$ 869.72
3/4"	BVL-107S	\$ 864.81	BVL-107SV	\$ 890.25	BVT-107S	\$ 864.81	BVT-107SV	\$ 890.25
1"	BVL-110S	\$ 864.81	BVL-110SV	\$ 890.25	BVT-110S	\$ 864.81	BVT-110SV	\$ 890.25
1-1/4"	BVL-112S	\$ 1,465.82	BVL-112SV	\$ 1,499.34	BVT-112S	\$ 1,465.82	BVT-112SV	\$ 1,499.34
1-1/2"	BVL-115S	\$ 1,467.49	BVL-115SV	\$ 1,501.12	BVT-115S	\$ 1,467.49	BVT-115SV	\$ 1,501.12
2"	BVL-120S	\$ 1,539.47	BVL-120SV	\$ 1,577.18	BVT-120S	\$ 1,539.47	BVT-120SV	\$ 1,577.18

Add 'T' to the end of the part number for threaded ends at an increased price of 5%.

### Options and Accessories - Add to list price

Option	Item	Part#	List Price
SOLENOID VALVES	4-Way Naumur mount, NEMA 4/4X, 120 V	SV-120AC	\$ 280.84
	4-Way Naumur mount, NEMA 4/4X, 24 Va	SV-24AC	\$ 280.84
	4-Way Naumur mount, NEMA 4/4X, 24 Vc	SV-24DC	\$ 280.84
LIMIT SWITCH	Mechanical limit switch box - NEMA 4/4X	LSB	\$ 298.48



## S4 Series Industrial 3-Way True Union Ball Valves with J Series Electric Actuators

### 85-240 VAC / VDC

PVC with EPDM O-Rings, L-Port		
SIZE	PART #	LIST PRICE
1/2"	105-3-110-L	\$ 1,221.54
3/4"	107-3-110-L	\$ 1,232.93
1"	110-3-110-L	\$ 1,232.93
1-1/4"	112-3-110-L	\$ 1,450.52
1-1/2"	115-3-110-L	\$ 1,452.18
2"	120-3-110-L	\$ 1,521.69

PVC with VITON O-Rings, L-Port	
PART #	LIST PRICE
105-3-110-LV	\$ 1,237.70
107-3-110-LV	\$ 1,257.53
110-3-110-LV	\$ 1,257.53
112-3-110-LV	\$ 1,482.91
115-3-110-LV	\$ 1,484.64
120-3-110-LV	\$ 1,558.15

PVC with EPDM O-Rings, T-Port	
PART #	LIST PRICE
105-3-110-T	\$ 1,221.54
107-3-110-T	\$ 1,232.93
110-3-110-T	\$ 1,232.93
112-3-110-T	\$ 1,450.52
115-3-110-T	\$ 1,452.18
120-3-110-T	\$ 1,521.69

PVC with VITON O-Rings, T-Port	
PART #	LIST PRICE
105-3-110-TV	\$ 1,237.70
107-3-110-TV	\$ 1,257.53
110-3-110-TV	\$ 1,257.53
112-3-110-TV	\$ 1,482.91
115-3-110-TV	\$ 1,484.64
120-3-110-TV	\$ 1,558.15

### 12-24 VAC / VDC

PVC with EPDM O-Rings, L-Port		
SIZE	PART #	LIST PRICE
1/2"	105-3-24-L	\$ 1,221.54
3/4"	107-3-24-L	\$ 1,232.93
1"	110-3-24-L	\$ 1,232.93
1-1/4"	112-3-24-L	\$ 1,450.52
1-1/2"	115-3-24-L	\$ 1,452.18
2"	120-3-24-L	\$ 1,521.69

PVC with VITON O-Rings, L-Port	
PART #	LIST PRICE
105-3-24-LV	\$ 1,237.70
107-3-24-LV	\$ 1,257.53
110-3-24-LV	\$ 1,257.53
112-3-24-LV	\$ 1,482.91
115-3-24-LV	\$ 1,484.64
120-3-24-LV	\$ 1,558.15

PVC with EPDM O-Rings, T-Port	
PART #	LIST PRICE
105-3-24-T	\$ 1,221.54
107-3-24-T	\$ 1,232.93
110-3-24-T	\$ 1,232.93
112-3-24-T	\$ 1,450.52
115-3-24-T	\$ 1,452.18
120-3-24-T	\$ 1,521.69

PVC with VITON O-Rings, T-Port	
PART #	LIST PRICE
105-3-24-TV	\$ 1,237.70
107-3-24-TV	\$ 1,257.53
110-3-24-TV	\$ 1,257.53
112-3-24-TV	\$ 1,482.91
115-3-24-TV	\$ 1,484.64
120-3-24-TV	\$ 1,558.15

Add 'T' to the end of the part number for threaded ends at an increased price of 5%.

### Options - Add to the list price

Option	Part#	J-Series List Price
4-20 mA Positioner	J-POS420	\$ 619.93
0-10 Volt Positioner	J-POS010	\$ 619.93
Electric Failsafe (Battery)	J-BAT	\$ 726.59
CSA Certification	J-CSA	\$ 450.99

# Pneumatic Actuators for 2-Way Ball Valves

Price is for actuator only



**MT Series:** Great for heavy duty applications. Rack and Pinion design. ISO 5211 dimensions on all sizes. No special blocks are required to mount solenoid valves, limit switches or positioners. All internal and external surfaces are hard anodized for corrosion resistance, with all units permanently lubricated at the factory with non-silicone grease.

Valve Size	Spring Return		Double Acting	
	Actuator Model	List Price	Actuator Model	List Price
1/2"	MT-122	\$ 395.43	MT-12D	\$ 327.77
3/4"	MT-122	\$ 395.43	MT-12D	\$ 327.77
1"	MT-122	\$ 395.43	MT-12D	\$ 327.77
1-1/4"	MT-214	\$ 761.28	MT-21D	\$ 582.91
1-1/2"	MT-214	\$ 761.28	MT-21D	\$ 582.91
2"	MT-214	\$ 761.28	MT-21D	\$ 582.91
2-1/2"	MT-314	\$ 955.64	MT-31D	\$ 750.73
3"	MT-314	\$ 955.64	MT-31D	\$ 750.73
4"	MT-314	\$ 955.64	MT-31D	\$ 750.73



## Options and Accessories - Add to list price

Option	Item	Part#	List Price
SOLENOID VALVES	4-Way Naumur mount, NEMA 4/4X, 120 V	SV-120AC	\$ 280.84
	4-Way Naumur mount, NEMA 4/4X, 24 V a	SV-24AC	\$ 280.84
	4-Way Naumur mount, NEMA 4/4X, 24 V d	SV-24DC	\$ 280.84
LIMIT SWITCH	Mechanical limit sw itch box - NEMA 4/4X	LSB	\$ 298.48

## Pneumatic Actuators for 3-Way Ball Valves

Price is for actuator only



**MT Series:** Great for heavy duty applications. Rack and Pinion design. ISO 5211 dimensions on all sizes. No special blocks are required to mount solenoid valves, limit switches or positioners. All internal and external surfaces are hard anodized for corrosion resistance, with all units permanently lubricated at the factory with non-silicone grease.

Valve Size	Spring Return		Double Acting	
	Actuator Model	List Price	Actuator Model	List Price
1/2"	MT-122	\$ 395.43	MT-12D	\$ 327.77
3/4"	MT-122	\$ 395.43	MT-12D	\$ 327.77
1"	MT-122	\$ 395.43	MT-12D	\$ 327.77
1-1/4"	MT-214	\$ 761.28	MT-21D	\$ 582.91
1-1/2"	MT-214	\$ 761.28	MT-21D	\$ 582.91
2"	MT-214	\$ 761.28	MT-21D	\$ 582.91



### Options and Accessories - Add to list price

Option	Item	Part#	List Price
<b>SOLENOID VALVES</b>	4-Way Naumur mount, NEMA 4/4X, 120 V	SV-120AC	\$ 280.84
	4-Way Naumur mount, NEMA 4/4X, 24 Va	SV-24AC	\$ 280.84
	4-Way Naumur mount, NEMA 4/4X, 24 Vc	SV-24DC	\$ 280.84
<b>LIMIT SWITCH</b>	Mechanical limit sw itch box - NEMA 4/4X	LSB	\$ 298.48

## Electric Actuators for 2-Way & 3-Way Ball Valves

Price is for actuator only



**J-Series:** Rugged weatherproof and anti-corrosive Polyamide housing, the J series offers more user-friendly features, and introduces a highly visible LED status light. It is quick, multi directional and easy to install, with ISO:5211 multi flange mounting and a double square drive, allowing fast mounting to ISO5211 valves. DIN connectors are included.

**Standard features include:** 4 Auxiliary Limit Switches, Anti-Condensation Heater, and Overload Protection

	24-240 VAC / VDC	12-24 VAC / VDC	
Valve Size	Part#	Part#	List Price
1/2"	J-420S	J-320L	\$ 640.11
3/4"	J-420S	J-320L	\$ 640.11
1"	J-420S	J-320L	\$ 640.11
1-1/4"	J-420S	J-320L	\$ 640.11
1-1/2"	J-420S	J-320L	\$ 640.11
2"	J-420S	J-320L	\$ 640.11

	85-240 VAC / VDC	12-24 VAC / VDC	
Valve Size	Part#	Part#	List Price
2-1/2"	J-355H	J-355L	\$ 1,098.37
3"	J-355H	J-355L	\$ 1,098.37
4"	J-355H	J-355L	\$ 1,098.37
	J-485H	J-385L	\$ 1,277.42

### Options - Add to the list price

Option	Part#	J-Series List Price
4-20 mA Positioner	J-POS420	\$ 619.93
0-10 Volt Positioner	J-POS010	\$ 619.93
Electric Failsafe (Battery)	J-BAT	\$ 726.59
CSA Certification	J-CSA	\$ 450.99



## M1 Series Industrial Actuator Adapter Set for M1 Ball Valves

SIZE	PART #	LIST PRICE
1/2"	129011	\$ 140.94
3/4"	129012	\$ 152.21
1"	129012	\$ 152.21
1-1/4"	129013	\$ 175.88
1-1/2"	129014	\$ 225.50
2"	129014	\$ 225.50
2-1/2"	210631	\$ 189.88
3"	210632	\$ 231.72
4"	210632	\$ 231.72



## S4 Series Industrial 3-Way Ball Valves with Actuator Mounting Set



PVC with PTFE seats, EPDM O-Rings, Imperial Socket Ends			
SIZE	T-BALL PART #	L-BALL PART #	LIST PRICE
1/2"	124815	124801	\$ 341.57
3/4"	124816	124802	\$ 352.98
1"	124817	124803	\$ 352.98
1-1/4"	124818	124804	\$ 489.38
1-1/2"	124819	124805	\$ 491.00
2"	124820	124806	\$ 560.55

PVC with PTFE seats, Viton O-Rings, Imperial Socket Ends			
SIZE	T-BALL PART #	L-BALL PART #	LIST PRICE
1/2"	124822	124808	\$ 357.73
3/4"	124823	124809	\$ 377.56
1"	124824	124810	\$ 377.56
1-1/4"	124825	124811	\$ 521.78
1-1/2"	124826	124812	\$ 523.49
2"	124827	124813	\$ 596.99

- PP & PVDF available upon request



## S4 Series Industrial PVC, PP, PVDF Ball Valve Brackets

**Note:**

1. Brackets will only fit Praher S4 series ball valves only.
2. Can be mounted onto a panel

3-WAY PVC		
SIZE	PART #	LIST PRICE
1/2"	-170042	\$ 63.26
3/4"	-170022	\$ 71.61
1"	-170022	\$ 71.61
1-1/4"	-170001	\$ 83.41
1-1/2"	-170001	\$ 83.41
2"	-170018	\$ 84.72

3-WAY PP/PVDF	
PART #	LIST PRICE
-170511	\$ 69.95
-170512	\$ 79.61
-170512	\$ 79.61
-170513	\$ 89.36
-170513	\$ 89.36
-170514	\$ 94.08



SIZE	PART #	LIST PRICE
1/2"	-170943	\$ 70.10
3/4"	-170944	\$ 74.76
1"	-170945	\$ 79.53
1-1/4"	-170946	\$ 84.44
1-1/2"	-170947	\$ 89.12
2"	-170948	\$ 94.14





## S4 Series Industrial Actuator Mounting Kit for 3-Way True Union Ball Valves

### CONSISTS OF:

- Set of stainless steel hardware
- Actuator mounting base (Namur standard)
- Shaft coupler (Namur standard)
- PVDF valve stem

SIZE	PVC/PP/PVDF	
	PART #	LIST PRICE
1/2"	-122103	\$ 103.58
3/4"	-122083	\$ 103.58
1"	-122083	\$ 103.58
1-1/4"	-121985	\$ 132.92
1-1/2"	-121986	\$ 132.92
2"	-121986	\$ 132.92
2-1/2"	-122052	\$ 592.60
3"	-122065	\$ 592.60
4"	-122065	\$ 592.60

CPVC	
PART #	LIST PRICE
-126628	\$ 98.90
-126629	\$ 98.90
-126629	\$ 98.90
-126630	\$ 126.55
-126631	\$ 126.55
-126631	\$ 126.55

SQUARE COUPLING DIAGONAL	BOLT CIRCLE ON MOUNTING PAD
11 mm	F04
11 mm	F04
11 mm	F04
14 mm	F05
14 mm	F05
14 mm	F05
17 mm	F07
17 mm	F07
17 mm	F07

**Note: Valve bracket required (see page 54)**



## K4 Series Industrial Butterfly Valves with MT Series Pneumatic Actuators

### Double Acting

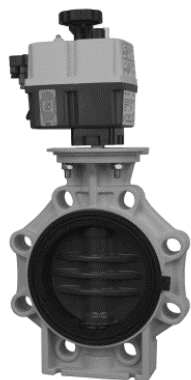
PVC with EPDM Seat			PVC with VITON Seat	
SIZE	PART #	LIST PRICE	PART #	LIST PRICE
3"	BF-130D	\$ 1,763.57	BF-130DV	\$ 2,154.07
4"	BF-140D	\$ 1,874.49	BF-140DV	\$ 2,241.43
6"	BF-160D	\$ 2,715.83	BF-160DV	\$ 3,144.08
8"	BF-180D	\$ 3,946.72	BF-180DV	\$ 4,474.45

### Spring Return - Specify operating pressure and whether fail open or fail close

PVC with EPDM Seat			PVC with VITON Seat	
SIZE	PART #	LIST PRICE	PART #	LIST PRICE
3"	BF-130S	\$ 2,029.35	BF-130SV	\$ 2,419.84
4"	BF-140S	\$ 2,140.27	BF-140SV	\$ 2,507.20
6"	BF-160S	\$ 3,038.55	BF-160SV	\$ 3,466.80
8"	BF-180S	\$ 4,527.52	BF-180SV	\$ 5,055.25

### Options and Accessories - Add to list price

Option	Item	Part#	List Price
SOLENOID VALVES	4-Way Naumur mount, NEMA 4/4X, 120 V	SV-120AC	\$ 280.84
	4-Way Naumur mount, NEMA 4/4X, 24 V a	SV-24AC	\$ 280.84
	4-Way Naumur mount, NEMA 4/4X, 24 V c	SV-24DC	\$ 280.84
LIMIT SWITCH	Mechanical limit sw itch box - NEMA 4/4X	LSB	\$ 298.48



## K4 Series Industrial Butterfly Valves with J Series Electric Actuators

### 85-240 VAC / VDC

SIZE	PVC with EPDM Seat		PVC with VITON Seat	
	PART #	LIST PRICE	PART #	LIST PRICE
3"	BF-1355H	\$ 2,199.48	BF-1355HV	\$ 2,632.64
4"	BF-1455H	\$ 2,221.54	BF-1455HV	\$ 2,755.74
6"	BF-1614H	\$ 3,259.55	BF-1614HV	\$ 3,779.23
8"	BF-1830H	\$ 3,624.17	BF-1830HV	\$ 4,404.29

### 12-24 VAC / VDC

SIZE	PVC with EPDM Seat		PVC with VITON Seat	
	PART #	LIST PRICE	PART #	LIST PRICE
3"	BF-1355L	\$ 2,199.48	BF-1355LV	\$ 2,632.64
4"	BF-1455L	\$ 2,221.54	BF-1455LV	\$ 2,755.74
6"	BF-1614L	\$ 3,259.55	BF-1614LV	\$ 3,779.23
8"	BF-1830L	\$ 3,624.17	BF-1830LV	\$ 4,404.29

### Options and Accessories - Add to the price of the act

Option	Part#	LIST PRICE (3" & 4" only)	LIST PRICE (6" & 8" only)
4-20 mA Positioner	J-POS420	\$ 619.93	\$ 1,409.57
0-10 Volt Positioner	J-POS010	\$ 619.93	\$ 1,409.57
Electric Failsafe (Battery)	J-BAT	\$ 726.59	\$ 1,084.81
CSA Certification	J-CSA	\$ 450.99	\$ 532.17

## Pneumatic Actuators for Butterfly Valves

Price is for actuator only



**MT Series:** Great for heavy duty applications. Rack and Pinion design. ISO 5211 dimensions on all sizes. No special blocks are required to mount solenoid valves, limit switches or positioners. All internal and external surfaces are hard anodized for corrosion resistance, with all units permanently lubricated at the factory with non-silicone grease.

Valve Size	Spring Return		Double Acting	
	Actuator Model	List Price	Actuator Model	List Price
3"	MT-364	\$ 1,362.40	MT-36D	\$ 1,096.62
4"	MT-364	\$ 1,362.40	MT-36D	\$ 1,096.62
6"	MT-464	\$ 1,844.81	MT-46D	\$ 1,522.09
8"	MT-514	\$ 2,996.68	MT-51D	\$ 2,415.88



### Options and Accessories - Add to list price

Option	Item	Part#	List Price
SOLENOID VALVES	4-Way Naumur mount, NEMA 4/4X, 120 V	SV-120AC	\$ 280.84
	4-Way Naumur mount, NEMA 4/4X, 24 Va	SV-24AC	\$ 280.84
	4-Way Naumur mount, NEMA 4/4X, 24 Vc	SV-24DC	\$ 280.84
LIMIT SWITCH	Mechanical limit switch box - NEMA 4/4X	LSB	\$ 298.48

## Electric Actuators for Butterfly Valves

Price is for actuator only



**J-Series:** Rugged weatherproof and anti-corrosive Polyamide housing, the J series offers more user-friendly features, and introduces a highly visible LED status light. It is quick, multi directional and easy to install, with ISO:5211 multi flange mounting and a double square drive, allowing fast mounting to ISO5211 valves. DIN connectors are included.

**Standard features include:** 4 Auxiliary Limit Switches, Anti-Condensation Heater, and Overload Protection

24-240 VAC / VDC		
Valve Size	Part#	List Price
3"	J-455S	\$ 1,098.37
4"	J-455S	\$ 1,098.37
6"	J-4140S	\$ 2,144.94
8"	J-4300S	\$ 2,333.40

### Options and Accessories - Add to the price of the act

Option	Part#	List Price (3" & 4" only)	List Price (6" & 8" only)
4-20 mA Positioner	J-POS420	\$ 619.93	\$ 1,409.57
0-10 Volt Positioner	J-POS010	\$ 619.93	\$ 1,409.57
Electric Failsafe (Battery)	J-BAT	\$ 726.59	\$ 1,084.81
CSA Certification	J-CSA	\$ 450.99	\$ 532.17



## T4 Series Industrial PVC Pneumatic Diaphragm with True Union Socket Ends

Normally Closed				
EPDM DIAPHRAGM			TEFLON* DIAPHRAGM	
SIZE	PART #	LIST PRICE	PART #	LIST PRICE
1/2"	125-775	\$ 892.34	126-247	\$ 948.26
3/4"	125-776	\$ 910.74	126-248	\$ 966.30
1"	125-777	\$ 1,277.63	126-249	\$ 1,348.88
1-1/4"	125-778	\$ 1,675.55	126-250	\$ 1,768.63
1-1/2"	125-779	\$ 1,688.84	126-251	\$ 1,784.33
2"	125-780	\$ 1,974.24	126-252	\$ 2,090.45

Normally Open				
EPDM DIAPHRAGM		TEFLON* DIAPHRAGM		
PART #	LIST PRICE	PART #	LIST PRICE	
126-262	\$ 892.34	126-298	\$ 948.26	
126-263	\$ 910.74	126-299	\$ 966.30	
126-264	\$ 1,277.63	126-300	\$ 1,348.88	
126-265	\$ 1,675.55	126-301	\$ 1,768.63	
123-239	\$ 1,688.84	126-302	\$ 1,784.33	
126-267	\$ 1,974.24	126-303	\$ 2,090.45	

Double Acting				
EPDM DIAPHRAGM			TEFLON* DIAPHRAGM	
SIZE	PART #	LIST PRICE	PART #	LIST PRICE
1/2"	121-891	\$ 758.62	126-283	\$ 806.29
3/4"	121-895	\$ 774.42	126-284	\$ 821.27
1"	121-896	\$ 1,086.01	126-285	\$ 1,146.78
1-1/4"	126-286	\$ 1,424.54	126-287	\$ 1,503.25
1-1/2"	125-415	\$ 1,435.48	126-288	\$ 1,516.80
2"	125-416	\$ 1,678.34	126-289	\$ 1,777.07

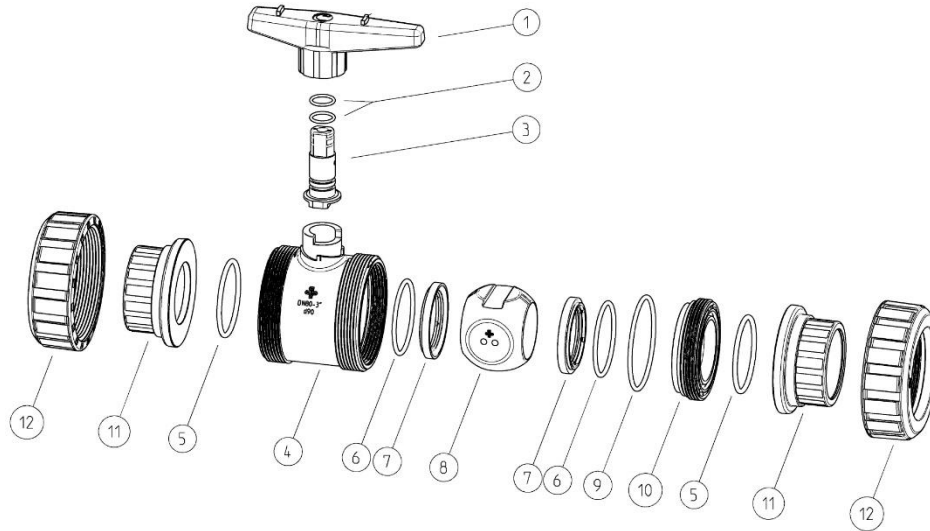
(\*) Teflon (PTFE) bonded to EPDM backing

### Options and Accessories - Add to the price of

Option	Code#	List Price
Limit Switch (1/2" - 1" sizes)	50481	\$ 652.91
Limit Switch (1-1/4" - 2" sizes)	50482	\$ 652.91
Solenoid valve (120 Vac)	SV-120AC	\$ 324.25

PP & PVDF options available upon request

# Parts – S6 PVC True Union Ball Valves (Econo)



#1 - HANDLE (RED)		
SIZE	PART #	LIST PRICE
1/2"	100593A	\$ 0.14
3/4"	100594B	\$ 6.56
1"	100805A	\$ 6.80
1-1/4"	100595B	\$ 8.44
1-1/2"	100583B	\$ 8.62
2"	101169B	\$ 9.14
2-1/2"	100076A	\$ 37.15
3"	102068A	\$ 59.22

#2 - STEM O-RINGS (EPDM)	
PART #	LIST PRICE
E10X2	\$ 1.87
E111	\$ 1.97
E111	\$ 1.97
E113	\$ 2.05
E115	\$ 2.22
E115	\$ 2.22
E24X3	\$ 5.81
E214	\$ 6.97

#3 - STEM	
PART #	LIST PRICE
140163A	\$ 3.04
140610A	\$ 3.34
140610A	\$ 3.34
140618	\$ 3.57
100422A	\$ 8.24
100422A	\$ 8.24
142042	\$ 33.68
102095	\$ 67.35

#4 - BODY	
PART #	LIST PRICE
101929	\$ 10.44
101930	\$ 10.56
101931	\$ 10.56
101932	\$ 14.07
101515A	\$ 15.24
101516	\$ 18.76
142483	\$ 69.68
142357	\$ 109.17

#5 - FACE O-RING (EPDM)		
SIZE	PART #	LIST PRICE
1/2"	E22X3	\$ 4.69
3/4"	E216	\$ 4.69
1"	E218	\$ 1.43
1-1/4"	E40X3.5	\$ 6.45
1-1/2"	N328	\$ 1.64
2"	E331	\$ 2.46
2-1/2"	E75X6	\$ 25.54
3"	E90X6	\$ 59.22

#7 - TEFLON BALL SEAT	
PART #	LIST PRICE
50940	\$ 7.09
50941	\$ 8.93
50942	\$ 9.57
50943	\$ 10.05
50736	\$ 10.61
50737	\$ 11.88
51161	\$ 73.16
51188	\$ 102.19

#8 - BALL	
PART #	LIST PRICE
101933	\$ 9.38
101934	\$ 10.07
101935	\$ 10.56
101936	\$ 11.72
101517A	\$ 15.24
101518	\$ 18.76
101922	\$ 97.55
102063	\$ 232.16

#9 - CARRIER O-RING (EPDM)	
PART #	LIST PRICE
E28X3	\$ 4.93
E33X3	\$ 2.30
E38X3	\$ 2.38
E48X3	\$ 8.20
E228	\$ 5.86
E232	\$ 1.59
E90X4	\$ 17.42
E349	\$ 23.23

#10 - CARRIER (RETAINER RING)		
SIZE	PART #	LIST PRICE
1/2"	101937	\$ 10.56
3/4"	101938	\$ 11.72
1"	101939	\$ 15.24
1-1/4"	101940	\$ 16.18
1-1/2"	101513A	\$ 16.42
2"	101514	\$ 18.76
2-1/2"	101993	\$ 38.32
3"	102064	\$ 68.52

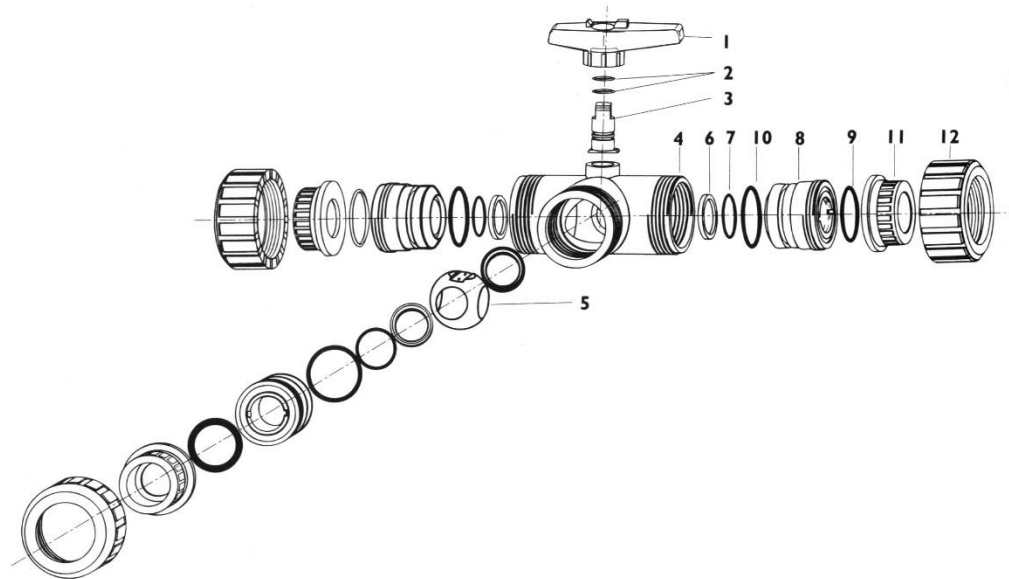
#11A - UNION SOCKET END	
PART #	LIST PRICE
TU05010	\$ 7.04
TU07510	\$ 7.04
TU10010	\$ 8.20
TU12510	\$ 10.56
TU15010	\$ 11.15
TU20010	\$ 12.89
TU30010	\$ 27.18
TU40010	\$ 56.09

#11B - UNION THREADED END	
PART #	LIST PRICE
140417	\$ 8.20
140420	\$ 8.44
140423	\$ 10.44
140426	\$ 11.61
140240	\$ 13.48
140405	\$ 17.60
TU25011	\$ 38.69
TU30011	\$ 69.18

#12 - NUT	
PART #	LIST PRICE
101941	\$ 9.38
101942	\$ 10.07
101943	\$ 10.56
101944	\$ 11.72
101519	\$ 15.24
101520	\$ 18.76
101995	\$ 85.94
102066	\$ 149.80

For Viton O-Rings, please add 20% to your net price and please change the letter 'E' to letter 'V'

# Parts – S4 PVC 3-Way True Union Ball Valves



SIZE	PART #	LIST PRICE
1"	3W1001L	\$ 4.43
1-1/2"	3W1501L	\$ 5.41
2"	3W2001L	\$ 5.41

PART #	LIST PRICE
3W1001T	\$ 4.43
3W1501T	\$ 5.41
3W2001T	\$ 5.41

PART #	LIST PRICE
E111	\$ 1.89
E115	\$ 2.22
E115	\$ 2.22

PART #	LIST PRICE
TU0503	\$ 3.34
TU1503	\$ 4.93
TU1503	\$ 4.93

#4 - BODY		
SIZE	PART #	LIST PRICE
1"	3W1004	\$ 24.12
1-1/2"	3W1504	\$ 44.32
2"	3W2004	\$ 54.17

#5 - L-BALL	
PART #	LIST PRICE
3W1005L	\$ 14.54
3W1505L	\$ 15.77
3W2005L	\$ 21.18

#5 - T-BALL	
PART #	LIST PRICE
3W1005T	\$ 14.54
3W1505T	\$ 15.77
3W2005T	\$ 21.18

#6 - BALL SEAT	
PART #	LIST PRICE
3W1006	\$ 7.87
3W1506	\$ 8.86
3W2006	\$ 8.86

#7 - SEAT CUSHION		
SIZE	PART #	LIST PRICE
1"	E024	\$ 3.94
1-1/2"	E129	\$ 4.93
2"	E135	\$ 4.93

#8 - RETAINER RING	
PART #	LIST PRICE
3W1008	\$ 9.36
3W1508	\$ 11.82
3W2008	\$ 12.81

#9 - FACE O-RING	
PART #	LIST PRICE
E218	\$ 1.43
N328	\$ 1.64
E331	\$ 2.46

#10 - CARRIER O-RING	
PART #	LIST PRICE
E38X3	\$ 2.38
E228	\$ 5.86
E231	\$ 5.86

#11 - UNION SOCKET END		
SIZE	PART #	LIST PRICE
1"	TU10010	\$ 8.20
1-1/2"	TU15010	\$ 11.24
2"	TU20010	\$ 12.89

#11 - UNION THREADED END	
PART #	LIST PRICE
TU10011	\$ 10.43
TU15011	\$ 13.48
TU20011	\$ 17.60

#12 - NUT	
PART #	LIST PRICE
TU10012	\$ 10.56
3W15012	\$ 8.81
3W20012	\$ 16.01

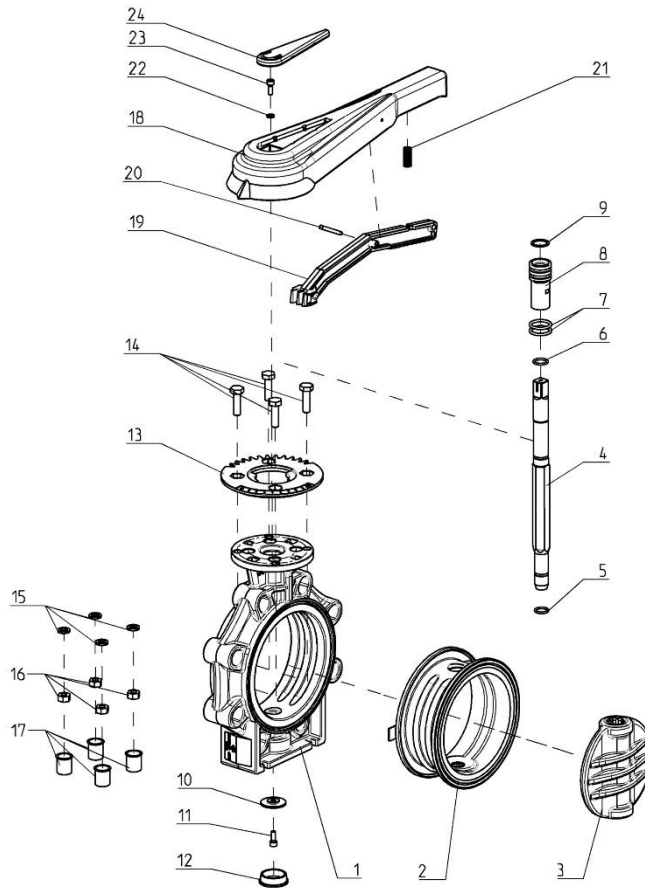
## Viton O-Ring Kits

SIZE	1"	1-1/2"	2"
PART #	3W10VK	3W15VK	3WW20VK
LIST PRICE	\$ 32.56	\$ 43.90	\$ 48.36

**Viton kit consists of:**  
 2 pieces - Stem O-Rings  
 4 pieces - Seat Cushion  
 3 pieces - Face O-Rings  
 3 pieces - Carrier O-Rings



# Parts – K4 Butterfly Valves with lever handle



**#2, 3, 5, 6, 7, 9 -  
EPDM SEAT & O-RINGS  
WITH PVC DISC SET**

SIZE	PART #	LIST PRICE
2-1/2"	141786	\$ 235.76
3"	141787	\$ 238.92
4"	141788	\$ 263.13
6"	141789	\$ 408.37
8"	141790	\$ 595.71

**#2, 3, 5, 6, 7, 9 -  
VITON SEAT & O-RINGS  
WITH PVC DISC SET**

PART #	LIST PRICE
141791	\$ 511.52
141792	\$ 553.62
141793	\$ 782.01
141794	\$ 1,374.57
141795	\$ 2,029.22

**#2, 3, 5, 6, 7, 9 -  
EPDM SEAT & O-RINGS  
WITH PP DISC SET**

PART #	LIST PRICE
141796	\$ 251.55
141797	\$ 254.71
141798	\$ 282.07
141799	\$ 444.16
141800	\$ 649.39

**#2, 3, 5, 6, 7, 9 -  
VITON SEAT & O-RINGS  
WITH PP DISC SET**

PART #	LIST PRICE
141801	\$ 527.30
141802	\$ 569.40
141803	\$ 799.90
141804	\$ 1,428.24
141805	\$ 2,082.90

**#2, 3, 5, 6, 7, 9 -  
VITON SEAT & O-RINGS  
WITH PVDF DISC SET**

SIZE	PART #	LIST PRICE
2-1/2"	141806	\$ 607.29
3"	141807	\$ 650.45
4"	141808	\$ 892.52
6"	141809	\$ 1,610.33
8"	141810	\$ 2,352.34

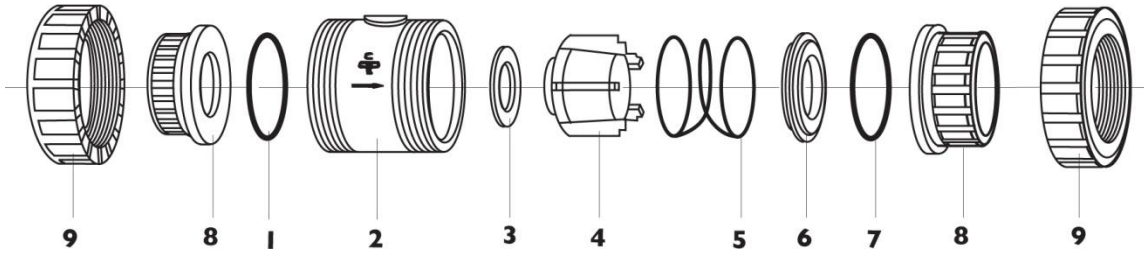
**#13 - POSITION LOCK  
PLATE**

PART #	LIST PRICE
101700B	\$ 66.31
101700B	\$ 66.31
101700B	\$ 66.31
101701	\$ 117.88
101701	\$ 117.88

**#18 - 24  
HANDLE ASSEMBLY**

PART #	LIST PRICE
141811	\$ 190.50
141811	\$ 190.50
141812	\$ 229.45
141813	\$ 294.70
141813	\$ 294.70

# Parts – S4 PVC Double Union Spring Check Valves



#1 - FACE O-RING		
SIZE	PART #	LIST PRICE
1/2"	E20X3	\$ 5.86
3/4"	E215	\$ 5.86
1"	E218	\$ 5.86
1-1/4"	E223	\$ 7.04
1-1/2"	E328	\$ 1.64
2"	E331	\$ 2.46
2-1/2"	E75X6	\$ 25.80
3"	E90X6	\$ 59.76

#2 - BODY	
PART #	LIST PRICE
3-050-2	\$ 8.98
3-075-2	\$ 9.48
3-100-2	\$ 10.56
3-125-2	\$ 14.07
3-150-2	\$ 14.19
3-200-2	\$ 15.36
3-250-2	\$ 60.97
3-300-2	\$ 76.22

#3 - GASKET	
PART #	LIST PRICE
3-050-3	\$ 2.35
3-075-3	\$ 2.46
3-100-3	\$ 3.52
3-125-3	\$ 4.45
3-150-3	\$ 4.69
3-200-3	\$ 5.27
3-250-3	\$ 9.38
3-300-3	\$ 12.89

#4 - CONE	
PART #	LIST PRICE
3-050-4	\$ 12.21
3-075-4	\$ 12.43
3-100-4	\$ 15.24
3-125-4	\$ 15.83
3-150-4	\$ 21.11
3-200-4	\$ 21.21
3-250-4	\$ 35.17
3-300-4	\$ 49.25

#5 - SS SPRING		
SIZE	PART #	LIST PRICE
1/2"	3-050-5	\$ 5.86
3/4"	3-075-5	\$ 6.56
1"	3-100-5	\$ 8.20
1-1/4"	3-125-5	\$ 9.38
1-1/2"	3-150-5	\$ 11.84
2"	3-200-5	\$ 14.07
2-1/2"	3-250-5	\$ 21.11
3"	3-300-5	\$ 26.98

#5A - TEFLON ENCAPSULATED SS SPRING	
PART #	LIST PRICE
140451	\$ 12.78
140452	\$ 17.42
140453	\$ 0.27
140454	\$ 20.90
140455	\$ 20.90
140456	\$ 29.03
140457	\$ 48.77
140458	\$ 59.22

#5B - HASTELLOY SPRING	
PART #	LIST PRICE
3-050-5H	\$ 23.23
3-075-5H	\$ 37.15
3-100-5H	\$ 42.96
3-125-5H	\$ 42.96
3-150-5H	\$ 46.45
3-200-5H	\$ 55.74
3-250-5H	\$ 102.19
3-300-5H	\$ 131.23

#6 - RETAINER RING	
PART #	LIST PRICE
3-050-6	\$ 5.86
3-075-6	\$ 5.98
3-100-6	\$ 8.20
3-125-6	\$ 8.20
3-150-6	\$ 8.79
3-200-6	\$ 9.48
3-250-6	\$ 11.84
3-300-6	\$ 21.11

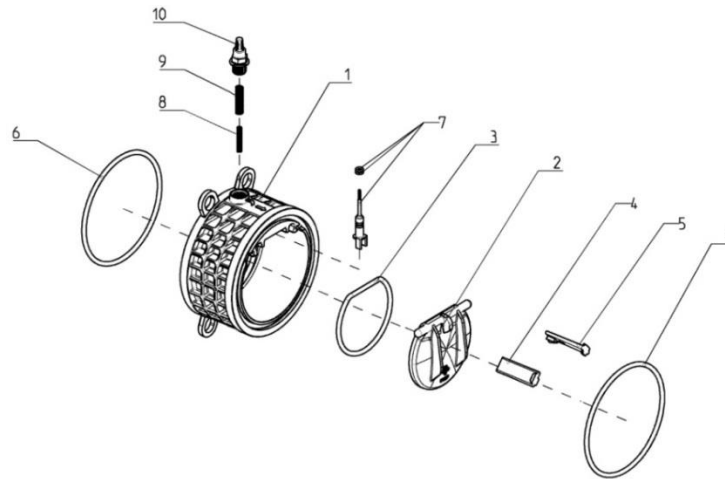
#7 - O-RING		
SIZE	PART #	LIST PRICE
1/2"	E217	\$ 4.89
3/4"	E220	\$ 1.42
1"	E223	\$ 5.86
1-1/4"	E226	\$ 2.82
1-1/2"	E332	\$ 3.52
2"	E337	\$ 4.45
2-1/2"	E125X6	\$ 7.15
3"	E128X6	\$ 11.72

#8 - UNION SOCKET END	
PART #	LIST PRICE
TU05010	\$ 7.04
TU07510	\$ 7.04
TU10010	\$ 8.20
TU12510	\$ 10.56
TU15010	\$ 11.15
TU20010	\$ 12.89
TU25010	\$ 23.45
TU30010	\$ 52.77

#8 - UNION THREADED END	
PART #	LIST PRICE
TU05011	\$ 8.20
TU07511	\$ 8.44
TU10011	\$ 10.44
TU12511	\$ 11.61
TU15011	\$ 13.48
TU20011	\$ 17.60
TU25011	\$ 38.69
TU30011	\$ 69.18

#9 - NUT	
PART #	LIST PRICE
TU05012	\$ 9.38
TU07512	\$ 10.07
TU10012	\$ 10.56
TU12512	\$ 11.72
TU15012	\$ 15.24
TU20012	\$ 18.76
TU25012	\$ 31.66
TU30012	\$ 56.29

# Parts – K4 Swing Check Valve with Spring



#1 - BODY (PVC)	
PART #	LIST PRICE
141707	\$ 336.93
141713	\$ 385.92
141719	\$ 551.31

#2 - FLAPPER (PVC)	
PART #	LIST PRICE
141708	\$ 202.16
141714	\$ 231.56
141720	\$ 330.80

#3 - FLAPPER EPDM O-RING	
PART #	LIST PRICE
330-EP60	\$ 33.47
337-EP60	\$ 39.45
425-EP60	\$ 65.74
438-EP60	\$ 73.86

#3 - FLAPPER VITON O-RING	
PART #	LIST PRICE
330-VP60	\$ 109.95
337-VP60	\$ 127.03
425-VP60	\$ 212.48

#4 & 5 - FLAPPER WITH EPDM O-RING & LEFT & RIGHT POST	
PART #	LIST PRICE
141745	\$ 164.94
141747	\$ 191.23
141749	\$ 264.15
141751	\$ 3,630.23

#6 - EPDM BODY O-RING (2 REQUIRED)	
PART #	LIST PRICE
Q-346EP60	\$ 52.59
Q-354EP60	\$ 59.76
Q-441EP60	\$ 94.42
Q-233X7EP60	\$ 127.82

#6 - VITON BODY O-RING (2 REQUIRED)	
PART #	LIST PRICE
Q-346VP60	\$ 155.38
Q-354VP60	\$ 197.22
Q-441VP60	\$ 316.74
Q-233X7VP60	\$ 426.81

#7 - INDICATOR PIN WITH EPDM O-RING	
PART #	LIST PRICE
109-EP60	\$ 20.31
109-EP60	\$ 20.31
141782	\$ 20.31
141782	\$ 20.31

#7 - INDICATOR PIN WITH VITON O-RING	
PART #	LIST PRICE
109-VP60	\$ 65.74
109-VP60	\$ 65.74
109-VP60	\$ 65.74
109-VP60	\$ 65.74

#8 - SMALL SPRING (50 PSI)	
PART #	LIST PRICE
50845	\$ 20.31
50845	\$ 20.31
50853	\$ 20.31
50853	\$ 20.31
50853	\$ 20.31

#9 - LARGE SPRING (100 PSI)	
PART #	LIST PRICE
50844	\$ 20.31
50844	\$ 20.31
50852	\$ 23.90
50852	\$ 23.90
50852	\$ 23.90

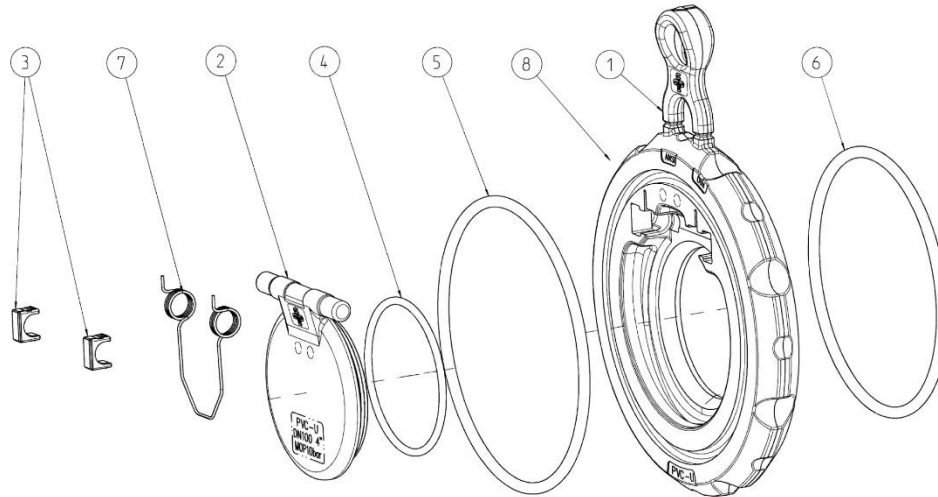
#10 - INDICATOR COVER	
PART #	LIST PRICE
101764	\$ 11.95
101764	\$ 11.95
101789	\$ 11.95
101789	\$ 11.95
101789	\$ 11.95

# Parts – K6 PVC Wafer Check Valve



## Parts List/Diagram

1. Body
2. Flapper
3. Flapper clip
4. Flapper O-Ring
5. Body O-Ring, front
6. Body O-Ring, back
7. SS Spring
8. Label



### #2 & 3 - EPDM O-RING FLAPPER KIT (FLAPPER + FLAPPER CLIPS)

SIZE	PART #	LIST PRICE
1-1/2"	142306A	\$ 127.74
2"	142307A	\$ 128.90
2-1/2"	142308A	\$ 131.23
3"	142309A	\$ 135.88
4"	142310A	\$ 145.16
5"	142311A	\$ 162.58
6"	142312A	\$ 199.74
8"	142313A	\$ 254.32
10"	142487A	\$ 346.06
12"	142434A	\$ 418.06

### #2 & 3 - VITON O-RING FLAPPER KIT (FLAPPER + FLAPPER CLIPS)

PART #	LIST PRICE
142488	\$ 242.15
142489	\$ 261.85
142490	\$ 289.34
142491	\$ 324.92
142492	\$ 371.70
142493	\$ 435.38
142494	\$ 547.35
142495	\$ 704.30
142496	\$ 897.42
142497	\$ 1,456.81

### #4, 5 & 6 - EPDM O- RING KIT

PART #	LIST PRICE
142282	\$ 25.54
142283	\$ 26.71
142284	\$ 29.03
142285	\$ 33.68
142286	\$ 41.81
142287	\$ 60.38
142288	\$ 96.39
142289	\$ 152.13
142564	\$ 240.38
142435	\$ 315.88

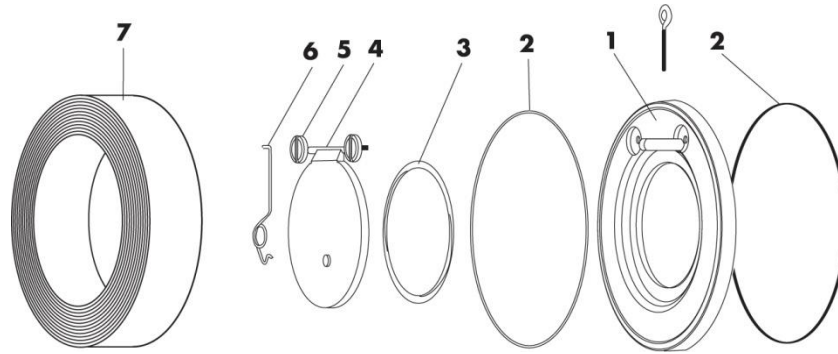
### #4, 5 & 6 - VITON O- RING KIT

PART #	LIST PRICE
142290	\$ 69.68
142291	\$ 84.77
142292	\$ 104.51
142293	\$ 128.90
142294	\$ 157.93
142295	\$ 191.62
142296	\$ 246.19
142297	\$ 318.19
142563	\$ 432.00
142436	\$ 766.45

### #7 & 8 - STAINLESS STEEL SPRING KIT (SS SPRING + LABEL)

SIZE	PART #	LIST PRICE
1-1/2"	142298	\$ 101.04
2"	142299	\$ 101.04
2-1/2"	142300	\$ 103.36
3"	142301	\$ 107.99
4"	142302	\$ 117.29
5"	142303	\$ 135.88
6"	142304	\$ 177.68
8"	142305	\$ 226.46
10"	142565	\$ 299.62
12"	142433	\$ 391.35

# Parts – S4 PVC/PP/PVDF Wafer Check Valves



#1 - BODY - PVC		
SIZE	PART #	LIST PRICE
2"	460-20-1	\$ 469.03
2-1/2"	460-25-1	\$ 492.48
3"	460-30-1	\$ 525.31
4"	460-40-1	\$ 586.28
6"	460-60-1	\$ 973.23
8"	460-80-1	\$ 1,115.11
10"	460-100-1	\$ 1,836.23
12"	460-120-1	\$ 2,696.31
14"	460-140-1	\$ 5,442.28
16"	460-160-1	\$11,530.58

#1 - BODY - PP	
PART #	LIST PRICE
461-20-1	\$ 469.03
461-25-1	\$ 492.48
461-30-1	\$ 525.31
461-40-1	\$ 586.28
461-60-1	\$ 973.23
461-80-1	\$ 1,115.11
461-100-1	\$ 1,836.23
461-120-1	\$ 2,696.31

#1 - BODY - PVDF	
PART #	LIST PRICE
462-20-1	\$ 1,160.84
462-25-1	\$ 1,190.16
462-30-1	\$ 1,319.13
462-40-1	\$ 1,817.47
462-60-1	\$ 3,459.06
462-80-1	\$ 8,800.08
462-100-1	\$ 9,145.99
462-120-1	\$ 10,084.04

#2 - BODY O-RING (EPDM)		
SIZE	PART #	LIST PRICE
2"	E235	\$ 3.81
2-1/2"	E241	\$ 4.93
3"	E245	\$ 6.00
4"	E254	\$ 9.27
6"	E264	\$ 15.24
8"	E273	\$ 23.45
10"	E278	\$ 30.14
12"	E280	\$ 32.83
14"	E385	\$ 47.35
16"	E450X5.7	\$ 60.89

#2 - BODY O-RING (VITON)	
PART #	LIST PRICE
V235	\$ 12.89
V241	\$ 15.16
V245	\$ 17.70
V254	\$ 21.69
V264	\$ 31.89
V273	\$ 42.81
V278	\$ 49.25
V280	\$ 59.80
V385	\$ 69.91
V450X5.7	\$ 239.02

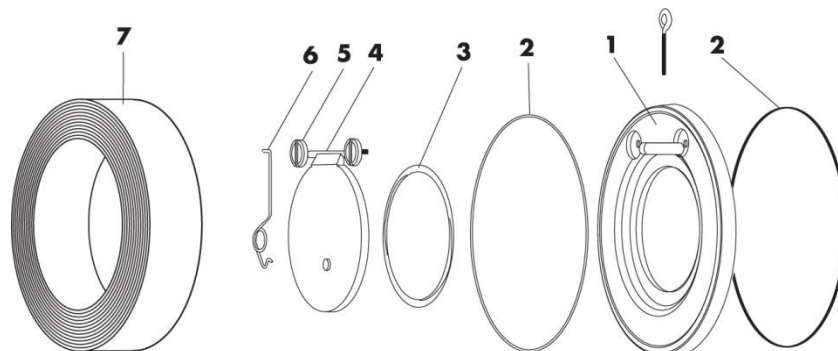
#2 - BODY O-RING (VITON/TEFLON)	
PART #	LIST PRICE
VT235	\$ 84.42
VT241	\$ 98.49
VT245	\$ 105.53
VT254	\$ 112.56
VT264	\$ 150.09
VT273	\$ 187.61
VT278	\$ 199.33
VT280	\$ 220.44

#3 - DISC O-RING (EPDM)		
SIZE	PART #	LIST PRICE
2"	E220	\$ 5.84
2-1/2"	E327	\$ 4.10
3"	E331	\$ 2.46
4"	E336	\$ 6.00
6"	E425	\$ 13.44
8"	E437	\$ 21.62
10"	E195X8	\$ 28.13
12"	E230X8	\$ 28.13
14"	E270X8	\$ 78.93
16"	E310X8	\$ 58.62

#3 - DISC O-RING (VITON)	
PART #	LIST PRICE
V220	\$ 5.86
V327	\$ 16.66
V331	\$ 17.24
V336	\$ 21.87
V425	\$ 49.25
V437	\$ 70.35
V195X8	\$ 340.05
V230X8	\$ 398.68
V270X8	\$ 409.28
V310X8	\$ 409.28

#3 - DISC O-RING (VITON/TEFLON)	
PART #	LIST PRICE
VT220	\$ 78.21
VT327	\$ 93.80
VT331	\$ 98.49
VT336	\$ 105.53
VT425	\$ 150.09
VT437	\$ 154.77
VT195X8	\$ 199.32
VT230X8	\$ 234.51

# Parts – S4 PVC/PP/PVDF Wafer Check Valves



**#4 - DISC (FLAPPER) - PVC**

SIZE	PART #	LIST PRICE
2"	460-20-4	\$ 70.35
2-1/2"	460-25-4	\$ 73.86
3"	460-30-4	\$ 80.91
4"	460-40-4	\$ 100.84
6"	460-60-4	\$ 128.97
8"	460-80-4	\$ 257.97
10"	460-100-4	\$ 281.42
12"	460-120-4	\$ 328.32
14"	460-140-4	\$ 3,628.18
16"	460-160-4	\$ 6,634.55

**#4 - DISC (FLAPPER) - PP**

PART #	LIST PRICE
461-20-4	\$ 70.35
461-25-4	\$ 73.86
461-30-4	\$ 80.91
461-40-4	\$ 100.84
461-60-4	\$ 128.97
461-80-4	\$ 257.97
461-100-4	\$ 281.42
461-120-4	\$ 328.32

**#4 - DISC (FLAPPER) - PVDF**

PART #	LIST PRICE
462-20-4	\$ 152.43
462-25-4	\$ 193.48
462-30-4	\$ 263.83
462-40-4	\$ 275.83
462-60-4	\$ 879.43
462-80-4	\$ 1,588.82
462-100-4	\$ 2,931.41
462-120-4	\$ 2,931.41

**#5 - SCREW - PP  
(2 PIECES REQUIRED)**

SIZE	PART #	LIST PRICE
2"	461-20-5	\$ 32.25
2-1/2"	461-25-5	\$ 32.83
3"	461-30-5	\$ 45.73
4"	461-40-5	\$ 49.84
6"	461-60-5	\$ 66.83
8"	461-80-5	\$ 69.18
10"	461-100-5	\$ 78.56
12"	461-120-5	\$ 83.24
14"	461-140-5	\$ 140.94
16"	461-160-5	\$ 140.94

**#6 - SPRING - SS**

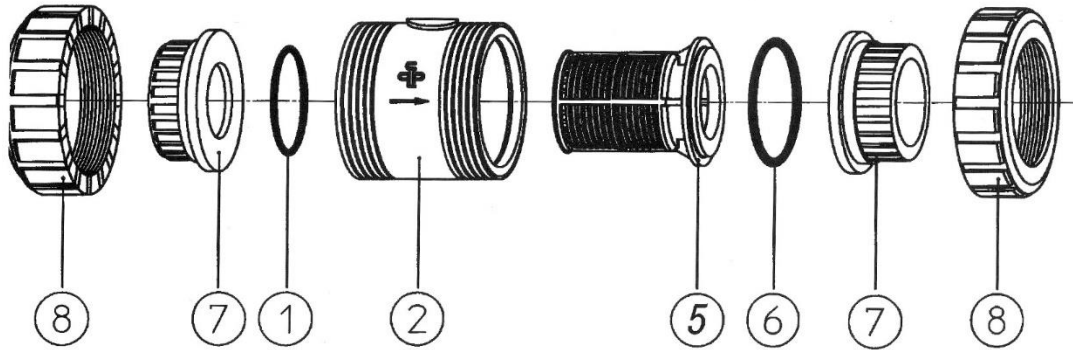
PART #	LIST PRICE
460-20-6	\$ 83.24
460-25-6	\$ 98.49
460-30-6	\$ 100.84
460-40-6	\$ 105.53
460-60-6	\$ 128.97
460-80-6	\$ 134.85
460-100-6	\$ 222.79
460-120-6	\$ 269.68
460-140-6	\$ 501.73
460-160-6	\$ 501.73

**#6 - SPRING - HASTELLOY**

PART #	LIST PRICE
460-20-6.1	\$ 140.71
460-25-6.1	\$ 152.43
460-30-6.1	\$ 166.51
460-40-6.1	\$ 181.75
460-60-6.1	\$ 205.20
460-80-6.1	\$ 211.06
460-100-6.1	\$ 234.51
460-120-6.1	\$ 299.00



**Parts –  
S4 PVC Inline Strainer (1800 Micron)**



**#1 - BODY O-RING**

SIZE	PART #	LIST PRICE
1/2"	E20X3	\$ 4.69
3/4"	E26X3.5	\$ 4.69
1"	E32X3.5	\$ 4.69
1-1/4"	E40X3.5	\$ 6.45
1-1/2"	N328	\$ 1.64
2"	E331	\$ 2.46
2-1/2"	E75X6	\$ 23.45
3"	E90X6	\$ 53.94
4"	E108X6	\$ 53.93

**#2 - BODY**

PART #	LIST PRICE
100475	\$ 40.92
100476	\$ 43.09
100477	\$ 53.67
100478	\$ 55.54
	N/A
	N/A
140971	\$ 206.24
140972	\$ 474.13
	N/A

**#5 - 1800 MICRON PP  
SCREEN CAGE**

PART #	LIST PRICE
100276	\$ 68.56
100277	\$ 71.34
100325	\$ 71.34
100326	\$ 87.15
100518	\$ 95.76
100521	\$ 103.39
100483	\$ 133.00
100491	\$ 176.98
100491	\$ 176.98

**#6 - O-RING FOR CAGE**

SIZE	PART #	LIST PRICE
1/2"	E216	\$ 8.20
3/4"	E35X3.5	\$ 8.20
1"	E40X3.5	\$ 14.07
1-1/4"	E52X3.5	\$ 14.07
1-1/2"	E332	\$ 10.31
2"	E337	\$ 14.07
2-1/2"	E100X6	\$ 53.93
3"	E130X6	\$ 56.29
4"	E130X6	\$ 56.29

**#7 - SOCKET END**

PART #	LIST PRICE
100554	\$ 7.04
101021	\$ 7.04
100974	\$ 8.20
101022	\$ 10.56
100560	\$ 11.15
100561	\$ 12.89
140565	\$ 27.18
140020	\$ 58.62
140941	\$ 89.12

**#8 - NUT**

PART #	LIST PRICE
100454	\$ 5.55
100455	\$ 6.71
100456	\$ 7.17
100457	\$ 8.29
100423	\$ 14.71
100499	\$ 14.71
100550	\$ 66.32
100288	\$ 79.87
140688	\$ 80.59

**Parts –**

**S4 PVC Inline Strainer w/ SS Mesh (1000 750, 500, 250 Micron)**



**#3 + #5 - BASKET & RETAINING RING KIT**

SIZE	PART #	LIST PRICE
1/2"	141474	\$ 0.27
3/4"	141475	\$ 61.02
1"	141476	\$ 61.02
1-1/4"	141477	\$ 74.59
1-1/2"	141478	\$ 82.12
2"	141479	\$ 89.02
2-1/2"	141480	\$ 114.52
3"	141481	\$ 150.77
4"	141481	\$ 150.77

**#4.1 - 1000 SS MICRON SCREEN**

SIZE	PART #	LIST PRICE
1/2"	50622	\$ 23.45
3/4"	50624	\$ 24.37
1"	50624	\$ 24.37
1-1/4"	50625	\$ 35.17
1-1/2"	50626	\$ 44.55
2"	50627	\$ 70.35
2-1/2"	50628	\$ 70.35
3"	50629	\$ 71.64
4"	50629	\$ 71.64

**#4.2 - 750 SS MICRON SCREEN**

PART #	LIST PRICE
50614	\$ 23.45
50616	\$ 24.37
50616	\$ 24.37
50617	\$ 35.17
50618	\$ 44.55
50619	\$ 70.35
50620	\$ 70.35
50621	\$ 71.64
50621	\$ 71.64

**#4.3 - 500 SS MICRON SCREEN**

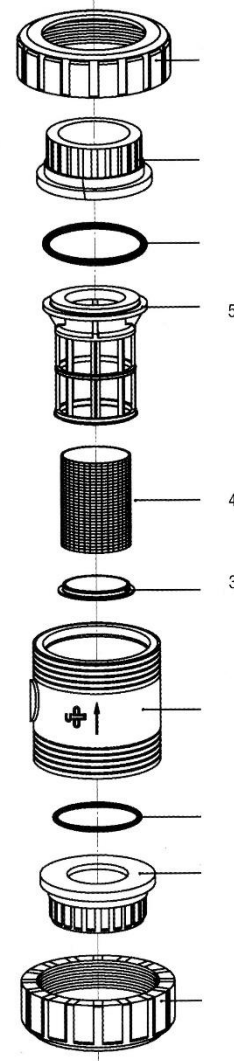
SIZE	PART #	LIST PRICE
1/2"	50606	\$ 23.45
3/4"	50608	\$ 24.37
1"	50608	\$ 24.37
1-1/4"	50609	\$ 35.17
1-1/2"	50610	\$ 44.55
2"	50611	\$ 70.35
2-1/2"	50612	\$ 70.35
3"	50613	\$ 71.64
4"	50613	\$ 71.64

**#4.4 - 250 SS MICRON SCREEN**

PART #	LIST PRICE
250SS050	\$ 23.45
250SS751	\$ 24.37
250SS751	\$ 35.17
250SS125	Please call
250SS150	Please call

**#4.4 - 104 SS MICRON SCREEN**

SIZE	PART #	LIST PRICE
1/2"	104SS050	Please call

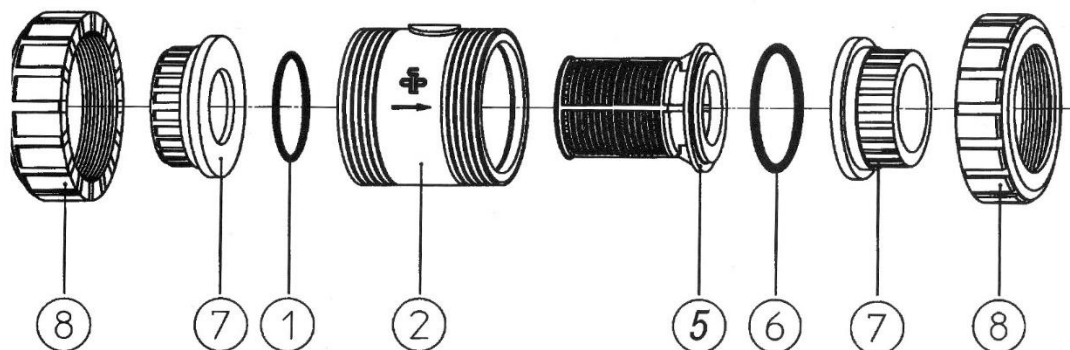


**Note:**

- 1800 Micron = 11 MESH (Coarse)
- 1000 Micron = 18 MESH (Medium)
- 750 Micron = 24 MESH (Medium)
- 500 Micron = 35 MESH (Fine)
- 250 Micron = 60 MESH (Fine)
- 104 Micron = 140 MESH (Fine)



# Parts – CR4 Inline Strainer (690 Micron)



#1 - BODY O-RING		
SIZE	PART #	LIST PRICE
3/8"	E32X3.5	\$ 4.69
1/2"	E32X3.5	\$ 4.69
3/4"	E32X3.5	\$ 4.69
1"	E32X3.5	\$ 4.69
1-1/4"	E331	\$ 2.46
1-1/2"	E331	\$ 2.46
2"	E331	\$ 2.46

#2 - PVC BODY	
PART #	LIST PRICE
100477	\$ 53.67
100477	\$ 53.67
100477	\$ 53.67
100477	\$ 53.67
100480	\$ 54.57
100480	\$ 54.57
100480	\$ 54.57

#5 - 690 PVC MICRON SCREEN	
PART #	LIST PRICE
690-CR4110	\$ 41.81
690-CR4110	\$ 41.81
690-CR4110	\$ 41.81
690-CR4110	\$ 41.81
690-CR4220	\$ 80.13
690-CR4220	\$ 80.13
690-CR4220	\$ 80.13

#6 - O-RING for CAGE		
SIZE	PART #	LIST PRICE
3/8"	E39.7X3.5	\$ 15.10
1/2"	E39.7X3.5	\$ 15.10
3/4"	E39.7X3.5	\$ 15.10
1"	E39.7X3.5	\$ 15.10
1-1/4"	E337	\$ 4.45
1-1/2"	E337	\$ 4.45
2"	E337	\$ 4.45

#7A - SOCKET END	
PART #	LIST PRICE
10097438	\$ 7.04
10097405	\$ 7.04
10097475	\$ 7.04
100974	\$ 8.20
10056125	\$ 12.89
10056115	\$ 12.89
100561	\$ 12.89

#7B - THREADED END	
PART #	LIST PRICE
10097438T	\$ 7.74
10097405T	\$ 7.74
10097475T	\$ 7.74
TU10011	\$ 10.44
10056125T	\$ 12.25
10056115T	\$ 12.25
TU20011	\$ 17.60

#8 - NUT		
SIZE	PART #	LIST PRICE
3/8"	100456	\$ 7.17
1/2"	100456	\$ 7.17
3/4"	100456	\$ 7.17
1"	100456	\$ 7.17
1-1/4"	100499A	\$ 14.71
1-1/2"	100499A	\$ 14.71
2"	100499A	\$ 14.71

## Note:

1/2" & 3/4" strainers are 1-inch bodies with reducing sockets.  
1-1/4" & 1-1/2" strainers are 2-inch bodies with reducing sockets.

## TERMS AND CONDITIONS OF SALE



### PRICES:

All prices shown are list prices, effective January 1, 2021 and are subject to change without notice. These prices do not constitute an offer to sell. All are based on standard packaging and do not include special overseas packaging or other requirements.

### PLACING ORDERS:

To expedite handling of your order please use the combination of part number, size and brief description. Our minimum order is \$150.00 net. 15% surcharge on "less than qty." per carton orders. Praher reserves the right to cancel any back order that is less than 10% of the original order.

### SHIPPING:

All shipments are F.O.B shipping point. The term F.O.B. shipping point means the carrier accepts all responsibility upon accepting the shipment at our dock. Therefore, any claims for damage or loss must be settled between you and the carrier.

### OVER / UNDER SHIPPED QUANTITY:

Seller reserves the right to over-ship order quantity herein by 10% and under-ship order quantity herein by 5% or as otherwise negotiated between seller and buyer.

### DELIVERY TIMES DELAYS:

The estimated shipping date is based on plant production schedule at the date of the quotation. Seller shall use reasonable commercial efforts to deliver the goods within the time agreed but, unless otherwise specifically agreed to in writing, shall in no circumstance be liable for any loss or damage, consequential or otherwise, caused directly or indirectly, by any delay in delivery. Under no circumstances will the Seller be liable for delay or failure in performance due to fires, floods, strikes or others differences with workmen, accidents, labour or material or transportation shortages, war (declared or undeclared), acts of terrorism, riot, governmental orders or regulations, legal interferences or prohibitions, defaults on the part of suppliers, or other causes beyond the Seller's reasonable control.

### BILLING TERMS:

Prior credit approval and non-delinquent status are necessary before shipping on an open account. Our open account terms are net 30 days. A 2% per month (24% per annum) charge is made on accounts exceeding 30 days. All taxes required by law are computed and added to your invoice.

### EXPORT SHIPPING:

PRAHER will be happy to handle your export order. The terms are a letter of credit drawn on a Canadian bank. Our prices into the U.S. include freight allowance-shipping ground, with duty and brokerage fees prepaid.

### CLAIMS AND RETURNS:

Claims for shortages or inaccurate filling of orders must be made to PRAHER within 10 days after receipt of goods. Praher will not reimburse returned product with cash or cheques. Credits will be issued and a 15% restock charge may apply.

### INFORMATION TO BUYER:

PRAHER will endeavor to furnish such advice as it may be able to supply with reference to the use by buyer of any materials purchased, but PRAHER makes no guarantees and assumes no obligation or liability for the advice given verbally or in the use of any material, whether used simply or in combination with other products. No suggestion for product use shall be construed as a recommendation for its use in infringement on any existing patent.

### PRODUCT WARRANTY:

All products not manufactured by PRAHER carrying the original manufacturer's warranty. All products manufactured by PRAHER will be free of defects in material and workmanship for a period of one year from shipment from PRAHER. If found to be defective by us, we will repair, or replace the non-conforming parts or goods at our option, or return the purchase price at our option. Praher shall not be responsible for cartage, removal and/or reinstallation labor, or any such costs incurred in obtaining a warranty replacement. The product warranty expressed above is our only warranty and may not be verbally changed or modified by any representative of PRAHER. The offer to repair or replace non-conforming goods within warranty does not cover defects caused by shipping damages, damages caused by improper use or installation, or by the buyer's attempts to use the products beyond their mechanical, thermal or electrical capacity.