

**Valve
World**

Cover Story

**Haitima's expansion
brings unique,**

Volume 15, Issue 05, June 2010



FUGITIVE EMISSIONS

Factory Practice on Latest Fugitive Emission Standard p26
Management considerations in choosing valves to curb fugitive emissions p53
Fugitive emission testing (in practice) p59

ACTUATION

Safety first for solenoids p31

END-USER REPORT

Five minutes with Mr Gray, Palo Verde p25

ONLINE EXPERTISE

Got emission issues? p37

www.valve-world.net

**Emission Control
Special**

HAITIMA CORPORATION

**Professional Manufacturer
Industrial Valves, Actuators, Fittings**

*Reliable, Responsible,
Customer-Oriented*

Since 1984

HAITIMA Branches

- ◆ **HAITIMA Taipei, Taiwan**
 - Sales Office
- ◆ **HAITIMA Tainan, Taiwan**
 - Machining & Assembly
- ◆ **HAITIMA Zhongshan, China**
 - Foundry
 - *High Frequency Furnace:
 - 200 Kg x 2 Set
 - 300 Kg x 3 Set
 - 500 Kg x 1 Set
 - Machining & Assembly
 - Actuator Factory
- ◆ **HAITIMA Philippines**
 - Foundry
 - Machining & Assembly



Brief Introduction

- ◆ HAITIMA Taiwan, China & Philippines: 800 employees
 - Production line: Two shifts, 16 hours operation
 - Capital: USD 25,000,000.00
- ◆ Factory space: 3,600 square meter-Taiwan
- ◆ Factory space: 43,200 square meter-China
- ◆ Factory space: 13,000 square meter-Philippines
- ◆ Factory facility: 22,000 square meter
- ◆ Dormitory: 5,600 square meter
- ◆ 100 x CNC machines + 5 x machine centers
 - 3 x Arc welding machines for seal welding ends
 - 3 x Ultrasonic cleaning machines, 3 x Vertical Lathe, 20 x Tapping Machines.
- ◆ Casting capacity for valves & fittings – 450 metric ton per month
- ◆ Casting production: Ball Valves, Pipe Fittings, Blind Valves
Gate, Globe, Check Valves.
- ◆ Actuator accessories: Size HT032~HT270, 2000pcs per month



HAITIMA China Factory



PED / ISO 9001 Certified Manufacturer



BV / DNV / TÜV-TRD100

Foundry Approval



HAITIMA Taiwan Factory



HAITIMA Philippines Factory



HAITIMA Canada Warehouse



HAITIMA Holland Warehouse



HAITIMA around the world

- ◆ **Taiwan & China:**
Office & Factories in Tainan and Zhongshan
- ◆ **Philippines:**
Factory
- ◆ **Canada:**
Vancouver Office & Warehouse
- ◆ **Holland:**
Office & Warehouse





HAITIMA Philosophy

- ◆ **Being Professional Makes Quality Products**
- ◆ **Good Character is The Result of Being Professional**
- ◆ **Realistic Goals Makes Efficient Work**
- ◆ **Innovation Improving Efficiency**
- ◆ **Persist Standard, Guarantee The Quality and Continually to Improve, Develop The Innovation**
- ◆ **Standardize Worker's Operation, Regulating Quality Inspection**
- ◆ **Working From The Heart Makes Good Quality, Always Remember Standard Procedures**



HAITIMA Supply Range

- ◆ 1-PC, 2-PC, 3-PC Ball Valves
 - 1000/1500/2000 WOG
- ◆ Flanged Gate, Globe, Check Valves
 - 150/300/600/900/1500 LBS
- ◆ High Pressure Valves
 - 3000/3600/6000 WOG, Seal Welded End
- ◆ High Performance Butterfly Valves; Marine Valves, Blind Valves
- ◆ API 607 / ISO 10497 Fire Safe Approved Valves
- ◆ TA-Luft / ISO 15848 Low Emission Approved Valves
- ◆ Special Alloy Option
 - Titanium, Monel, Duplex, Hastelloy, Alloy 20



HAITIMA Supply Range

- ◆ 2-way, 3-way, 4-way Clean Valves, Low Sulfur, Low Ferrite, BPE Standard
- ◆ Sanitary Ball Valves 2-way, 3-way with 3A Approval
- ◆ Actuator & Accessory
- ◆ Diaphragm Type Control Valve, Automatic Control Valve, PFA-LINE Control Valve, Hyper-Cryogenic Valve
- ◆ 150 lbs Fittings, 3000 lbs Fittings, Butt Weld Fittings, Flanges
- ◆ Stainless Steel Seamless Welded Pipe & Tube.
ASTM A312, A554, A269, A249, A270, Square / Round / Rectangular.
- ◆ Carbon Steel ERW A53 Gr.A / Gr.B, A252, API 5L, Pipe Seamless A106 Gr.B, Alloy Tubing.

HAITIMA Certificates

- ◆ ISO 9001 Quality Assurance
- ◆ TÜV / TRD 100
- ◆ BV MARINE RECOGNITION Certificate
- ◆ DNV
(CASTING FOUNRY APPROVAL / TYPE VALVES APPROVAL)
- ◆ PED 97/23/EC Module H
- ◆ EN10204 3.1 Material Certificate
- ◆ CRN Registered
- ◆ 3A Approved
- ◆ API 6D Approved
- ◆ API 607 Fire Safe Approved
- ◆ ATEX Certificate
- ◆ TA-Luft / ISO 15848 Approved
- ◆ REACH
- ◆ RoHS



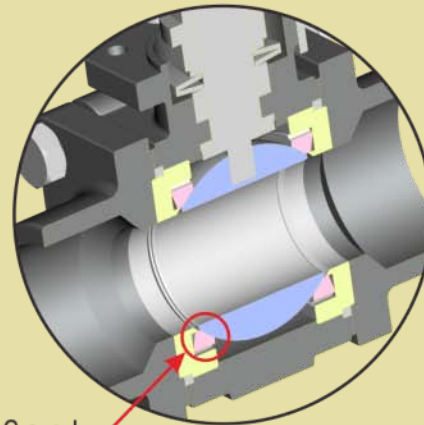
API 607 Fire Safe Approved Ball Valves

- ◀ **2006WB**
- ◀ **2007W36**
- ◀ **2007W60**
- ◀ **2021D**
- ◀ **2019D**
- ◀ **2020D**
- ◀ **2020N**
- ◀ **2013KM**



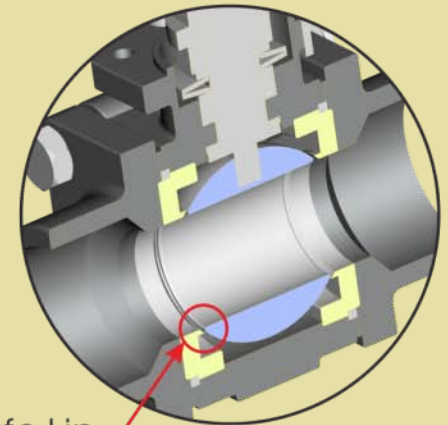
Fire Safe Design

Before the Fire



Ball Seat

After the Fire



Fire Safe Lip

Secondary metal to metal seal acts as backup if primary seal is destroyed by fire.

TA-Luft Fugitive Emission Approved Ball Valves

- ◀ 2006
- ◀ 2006S
- ◀ 2006SW
- ◀ 2006W
- ◀ 2009M
- ◀ 2019S
- ◀ 2020S
- ◀ 2011N
- ◀ 2012N
- ◀ 2013N
- ◀ 2011NM
- ◀ 2012NM
- ◀ 2013NM



ISO 15848 Fugitive Emission Approved Ball Valves

- ◀ 2009D
- ◀ 2006SD
- ◀ 2011D
- ◀ 2012D
- ◀ 2013D
- ◀ 2011ND
- ◀ 2012ND
- ◀ 2013ND
- ◀ 2012LD
- ◀ 2011KMD
- ◀ 2012KMD
- ◀ 2013KMD
- ◀ 2019D
- ◀ 2020D

Sanitary Components



- ◆ Clean Ball Valves
- ◆ High Purity, BPE Valves, Bio-Valves
- ◆ Low Sulfur, Low Ferrite
- ◆ BPE Fittings



Clean Room for low ferrite, low sulfur, high purity

2 way / 3 way valves, BPE valves, Bio-valves, Assembly, Testing



Trunnion Ball Valve

- ◆ Size: 2"~20" (DN50~DN500)
- ◆ W.P.: CLASS 150/300/600/900
- ◆ Soft / Metal Seat



Metal Seat Ball Valve

Working Temperature: -20°C~500°C

Ball Coating:

- ◆ Silicon Carbide (HV>2400kg/mm²)
- ◆ Stellite
- ◆ Hard Chrome Plated
- ◆ Tungsten Carbide
- ◆ Nickel Plated



Actuators & Automation Accessories

- ◆ Pneumatic Actuator
Spring Return / Double Acting
Size: HT032~HT270
- ◆ Electric Actuator
- ◆ Namur Solenoid Valve
- ◆ E/P Positioner
- ◆ Manual Override
- ◆ Limit Switchbox
- ◆ Air Filter Regulator



Gate, Globe, Check valve

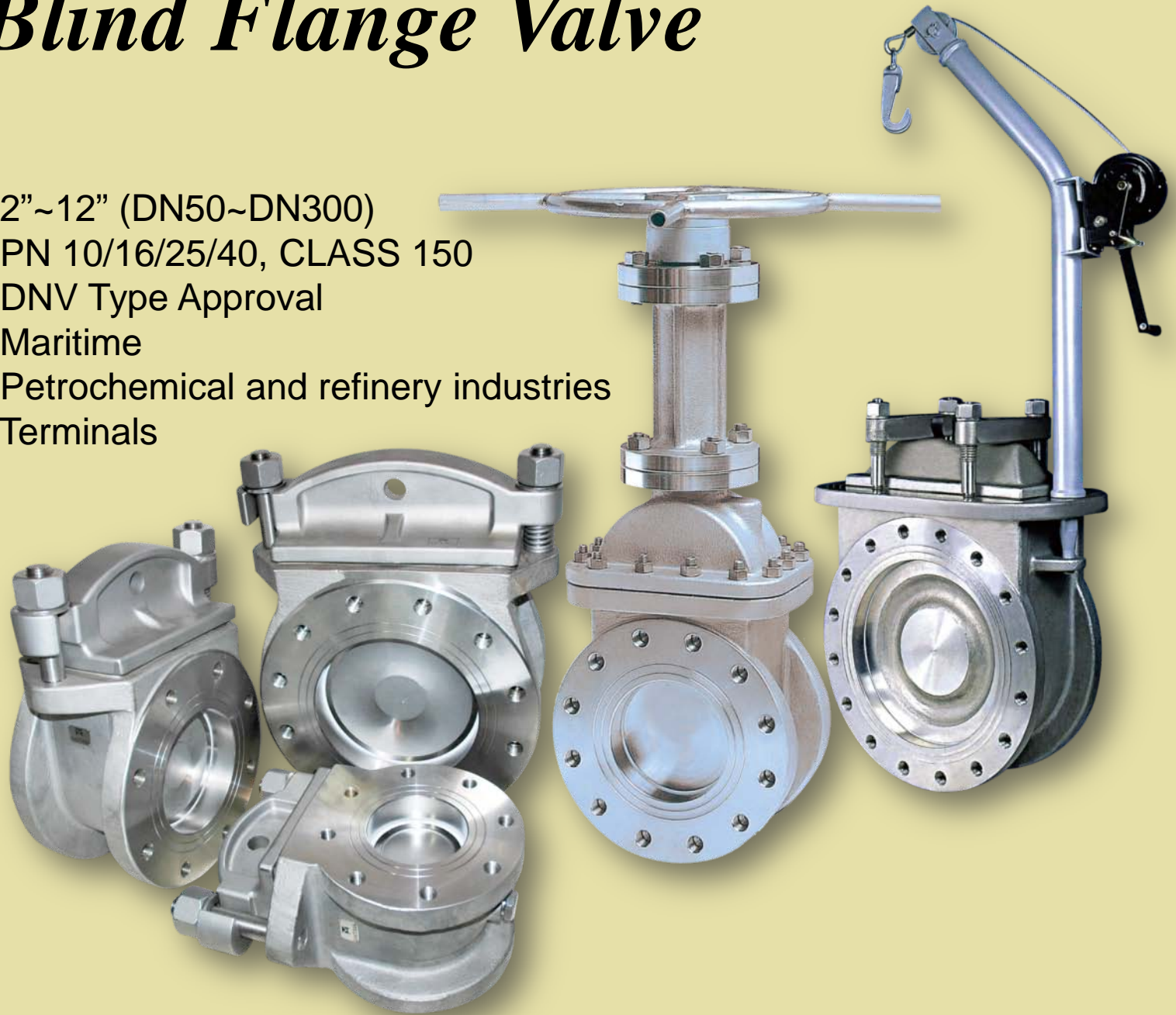
- ◆ Gate Valve: 1/2"~24" (DN15~DN600)
- Globe Valve: 1/2"~12" (DN15~DN300)
- Check Valve: 1/2"~24" (DN15~DN600)

- ◆ PN 16/40
CLASS 150/300/600/900/1500
- ◆ **API 6D / API 600 / API 603**



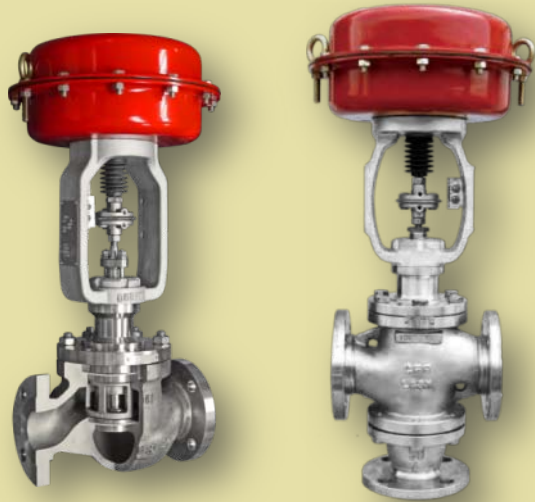
Blind Flange Valve

- ◆ 2"~12" (DN50~DN300)
- ◆ PN 10/16/25/40, CLASS 150
- ◆ DNV Type Approval
- ◆ Maritime
- ◆ Petrochemical and refinery industries
- ◆ Terminals



Control Valve

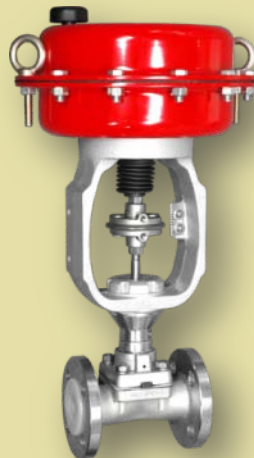
◆ Diaphragm Type Control Valve



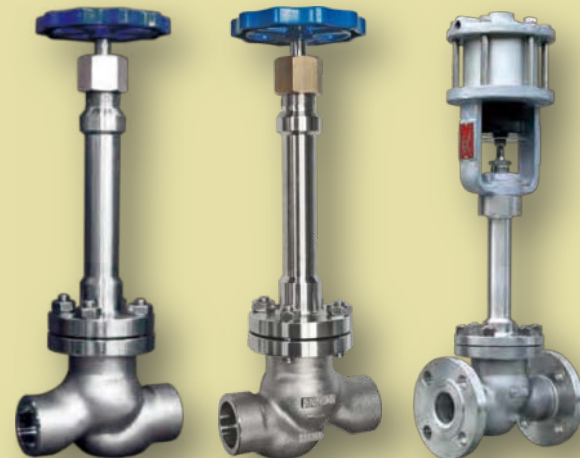
◆ Automatic Control Valve



◆ PFA-LINE Control Valve



◆ Hyper-Cryogenic Valve



Ball, Stem & Handle

BALL



Solid Floating Ball

Size: NPS 1/4"~56" (DN8~1400)



Hollow Floating Ball (Pipe Ball)

Size: NPS 3"~12" (DN80~300)



Multiple Way Ball

Size: NPS 1/2"~12" (DN15~300)



Slot / V-Port Ball

Size: NPS 1/2"~12" (DN15~300)



Hollow Floating Ball (Tube Inside)

Size: NPS 3"~12" (DN80~300)



Trunnion Ball

Size: NPS 1-1/2"~12" (DN40~300)



Stem Ball

Size: NPS 1-1/2"~4" (DN40~100)



Metal to Metal Ball

Size: NPS 1/2"~12" (DN15~300)

STEM

- Ball Valve Stem
- Gate / Globe Valve Stem
- Butterfly Valves Stem
- Various Kinds Stem



HANDLE

- Plate Handle
- Casting Handle
- Oval Handle
- Wing / Butterfly Handle
- Various Kinds Handle



Sanitary Fitting / Pipe Fitting
Butt-Weld Fitting
Forged Fitting / Flange









HAITIMA

Thank you

Aliquam

Gracias

Grazie

Děkuji

Merci

Dank u

Danke

σας ευχαριστώ

Go raibh

maith agat

ありがとう

감사합니다

Salamat sa

inyo

Cám o*n

Спасибо

謝謝