



Valve air unit essential to provide clean and dry supply air to valve positioners, solenoid valves and pneumatic actuators

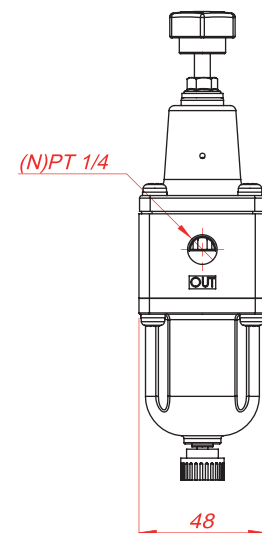
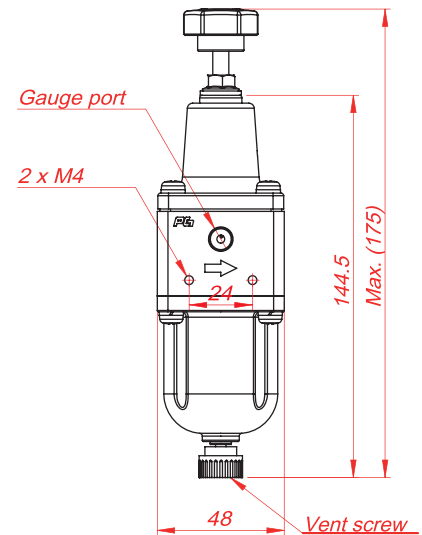
Features

- ▶ Rugged aluminum die-cast housing
- ▶ Optional stainless steel 316 housing
- ▶ Stable setting pressure
- ▶ High capacity with 5 micron filter
- ▶ Self-relief function to balance output and setting pressures
- ▶ High flow capacity

Specifications

Model	FR-10	FR-11
Port Size	PT(Rc) 1/4 or NPT 1/4	NPT 1/4
Fluid	Air	
Output Pressure Range	0 - 4 bar (60 psi) / 0 - 8 bar (120 psi)	
Max. Supply Pressure	15 bar (225 psi)	
Operating and Fluid Temperature	-20°C to +70°C	
Supply Air	Filtered compressed, dry and non oiled air (up to 5 micron)	
Gauge Port Size	PT(Rc) 1/8	
Filtration	5 micron	
Housing Material	Aluminum die-cast	Stainless steel 316
Pressure Gauge Material	Stainless steel	
Weight	0.5 kg	1 kg

Dimensions



How to Order

FR Body Material - Port Size Output Pressure Range

Description	Code
Body Material	10 : Aluminum die-cast 11 : Stainless steel 316
Port Size	R : PT(Rc) 1/4 N : NPT 1/4
Output Pressure Range	1 : 0 - 4 bar (60 psi) 2 : 0 - 8 bar (120 psi)