

Pressure-Reducing-Valve, springloaded

for steam, gases and liquids

Typ 75

Standard version:

Material: Valve-body / media contact surfaces

Typ 75.2: BG 0 - II 1.4301, 1.4571 / 1.4571

BG III - IV 1.4571 / 1.4571

Connections:

Flange connections: DIN EN / ASME B16.5

Sealings:

FPM, EPDM

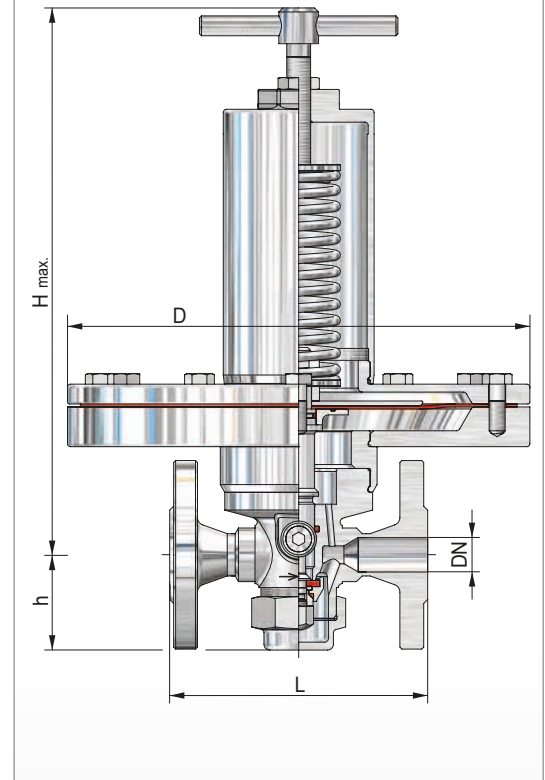
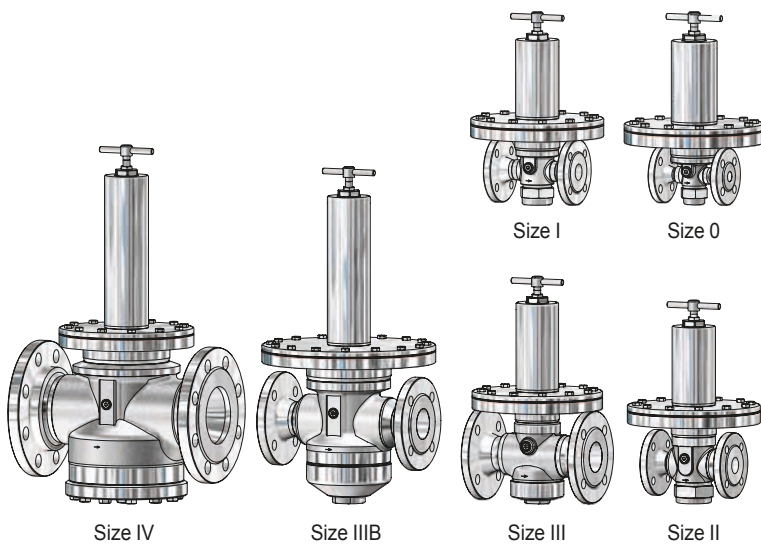
PTFE, EPDM (steam up to 150°C)

PTFE, AF100, EPDM (steam up to 200°C)

Approvals:

Pressure Equipment Directive: 97/23/EG

Declaration of Conformity



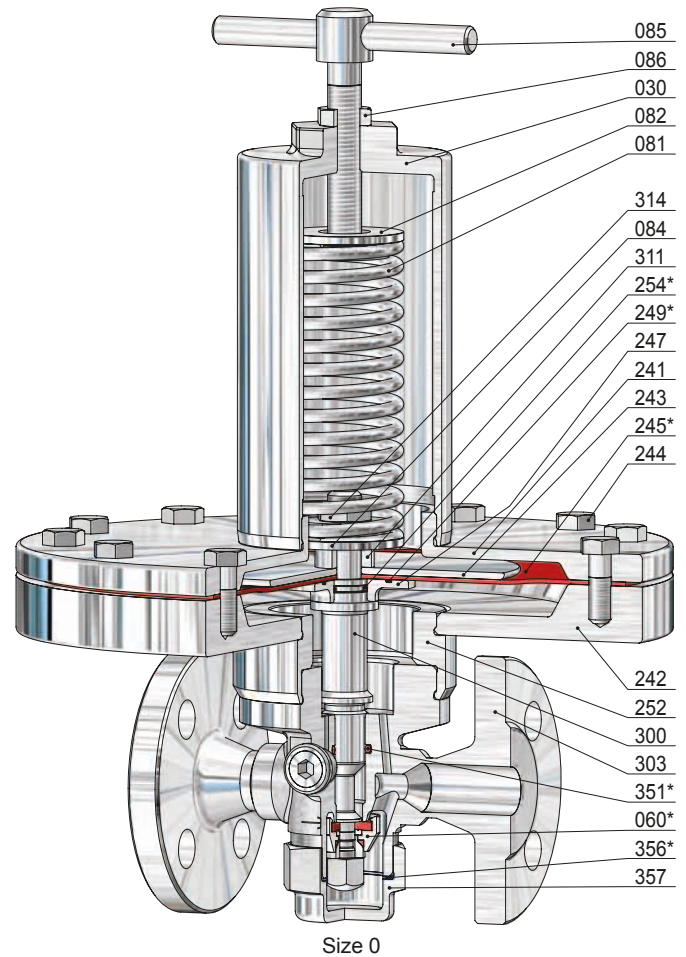
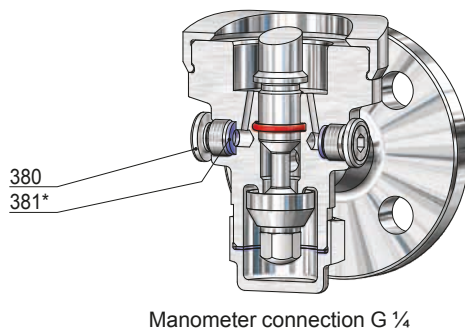
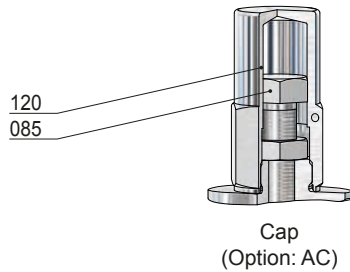
Size	Inlet			Outlet			Dimensions				Kvs value [m³/h]				
	DN	NPS	Inlet pressure range P1 [bar(g)] max.	DN	NPS	Reduced pressure range P2 min. [bar(g)] max.	Height H max.		Diaphragm Ø = D						
							Toggle spindle [mm]	Cap [mm]	Design						
							L [mm]	h [mm]	[mm]	[mm]	[mm]	[mm]			
0	10	-	25	10	-	0,005 / 0,45	320	285	130	48	405	310	235	190	2,0
	15	1/2		15	1/2										3,0
I	15	1/2	16	20	3/4	0,005 / 0,40	310	290	130	58				190	3,2
	20	3/4		25	1										6,3
II	25	1	16	32	1 1/4	0,005 / 0,40	320	305	160	68				190	6,5
	32	1 1/4		40	1 1/2										12,5
III	40	1 1/2	16	50	2	0,005 / 0,40	350	335	200	85				190	13,0
	50	2		50	2										27,5
	50	2		65	2 1/2										28,0
IIIB	65	2 1/2	16	80	3	0,005 / 0,30	535	465	290	145				190	28,5
	80	3		80	3						28,5				
	80	3		65	2 1/2						48,0				
IV	65	2 1/2	16	80	3	0,005 / 0,30	545	470	290	157	190	50,0			
	80	3		100	4							53,0			
	100	4		100	4							53,0			

other design on request

Pressure-Reducing-Valve, springloaded

for steam, gases and liquids

Typ 75



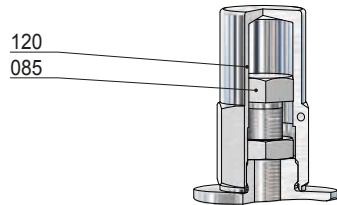
Item	Piece	Description	Item	Piece	Description
303	1	valve body	243	1	upper clamp plate
030	1	spring bonnet	244	12	screw (variable)
060 *	1	disc, complete	245 *	1	diaphragm
560	1	disc	247	1	lower clamp plate
061	1	pressure piece	249 *	1	o-ring
062	1	soft sealing	252	1	adapter
065	1	disc bolt	254 *	1	o-ring
071	1	o-ring	300	1	piston
072	1	locking ring	311	1	distance bush
073	1	o-ring (only for thermoplastics soft sealing)	314	1	lock nut
081	1	spring	351 *	1	o-ring
082	1	springplate, upper	356 *	1	sealing ring
084	1	springplate, lower	357	1	bottom plug
085	1	adjusting screw	380	2	screw plug
086	1	lock nut	381 *	2	sealing ring
120	1	cap			
241	1	upper housing			
242	1	lower housing			

* expendable parts

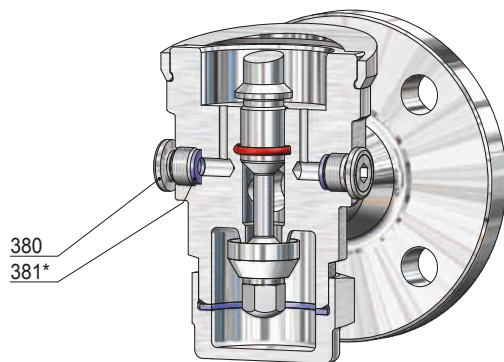
Pressure-Reducing-Valve, springloaded

for steam, gases and liquids

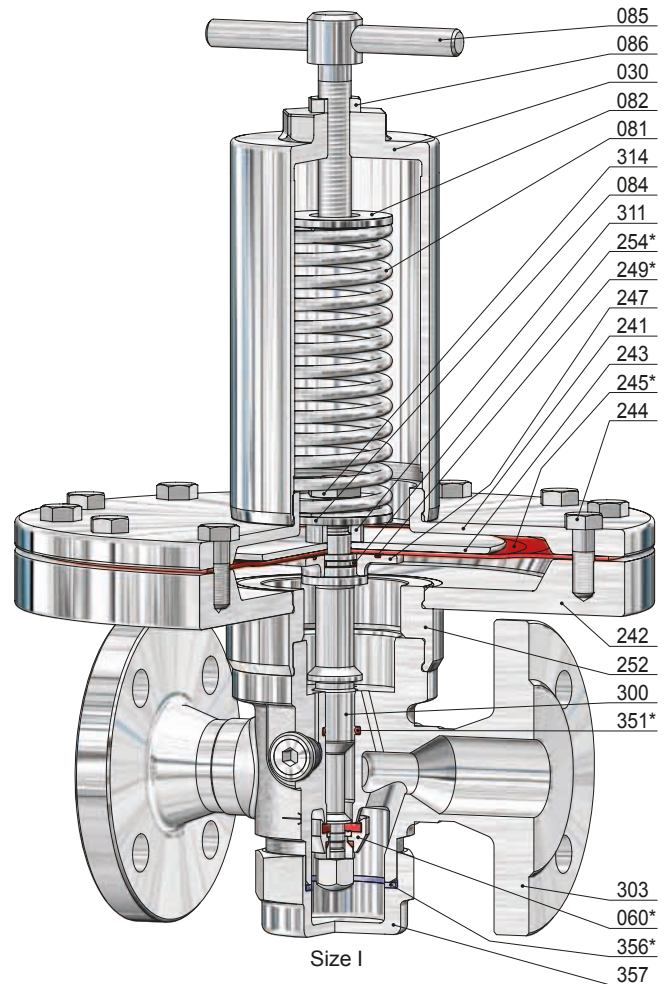
Typ 75



Cap
(Option: AC)



Manometer connection G 1/4



Size I

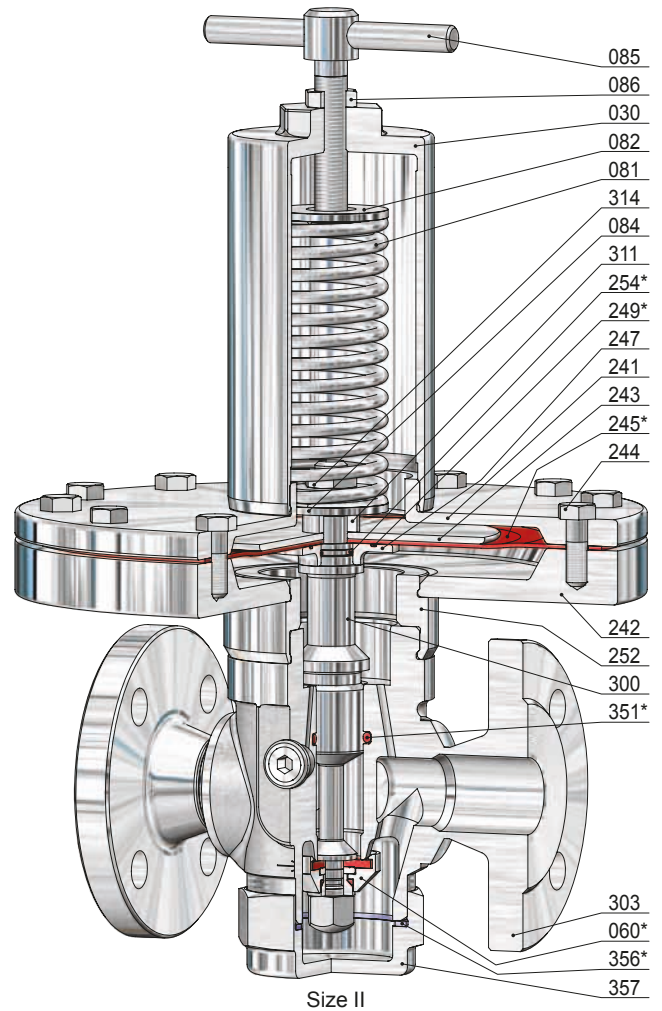
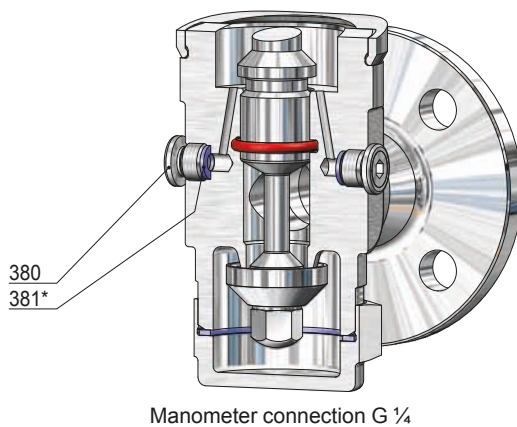
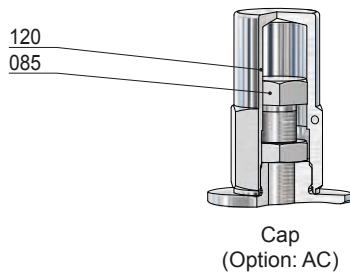
Item	Piece	Description	Item	Piece	Description
303	1	valve body	243	1	upper clamp plate
030	1	spring bonnet	244	12	screw (variable)
060 *	1	disc, complete	245 *	1	diaphragm
560	1	disc	247	1	lower clamp plate
061	1	pressure piece	249 *	1	o-ring
062	1	soft sealing	252	1	adapter
065	1	disc bolt	254 *	1	o-ring
071	1	o-ring	300	1	piston
072	1	locking ring	311	1	distance bush
073	1	o-ring (only for thermoplastics soft sealing)	314	1	lock nut
081	1	spring	351 *	1	o-ring
082	1	springplate, upper	356 *	1	sealing ring
084	1	springplate, lower	357	1	bottom plug
085	1	adjusting screw	380	2	screw plug
086	1	lock nut	381 *	2	sealing ring
120	1	cap			
241	1	upper housing			
242	1	lower housing			

* expendable parts

Pressure-Reducing-Valve, springloaded

for steam, gases and liquids

Typ 75



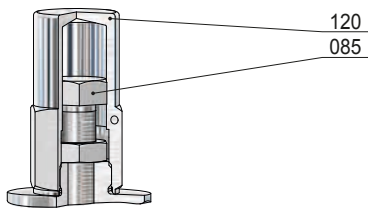
Item	Piece	Description	Item	Piece	Description
303	1	valve body	243	1	upper clamp plate
030	1	spring bonnet	244	12	screw (variable)
060 *	1	disc, complete	245 *	1	diaphragm
560	1	disc	247	1	lower clamp plate
061	1	pressure piece	249 *	1	o-ring
062	1	soft sealing	252	1	adapter
065	1	disc bolt	254 *	1	o-ring
071	1	o-ring	300	1	piston
072	1	locking ring	311	1	distance bush
073	1	o-ring (only for thermoplastics soft sealing)	314	1	lock nut
081	1	spring	351 *	1	o-ring
082	1	springplate, upper	356 *	1	sealing ring
084	1	springplate, lower	357	1	bottom plug
085	1	adjusting screw	380	2	screw plug
086	1	lock nut	381 *	2	sealing ring
120	1	cap			
241	1	upper housing			
242	1	lower housing			

* expendable parts

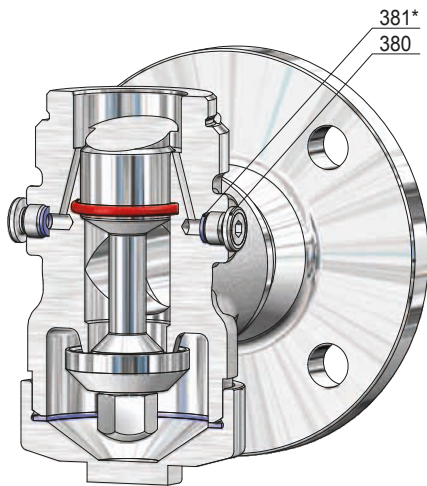
Pressure-Reducing-Valve, springloaded

for steam, gases and liquids

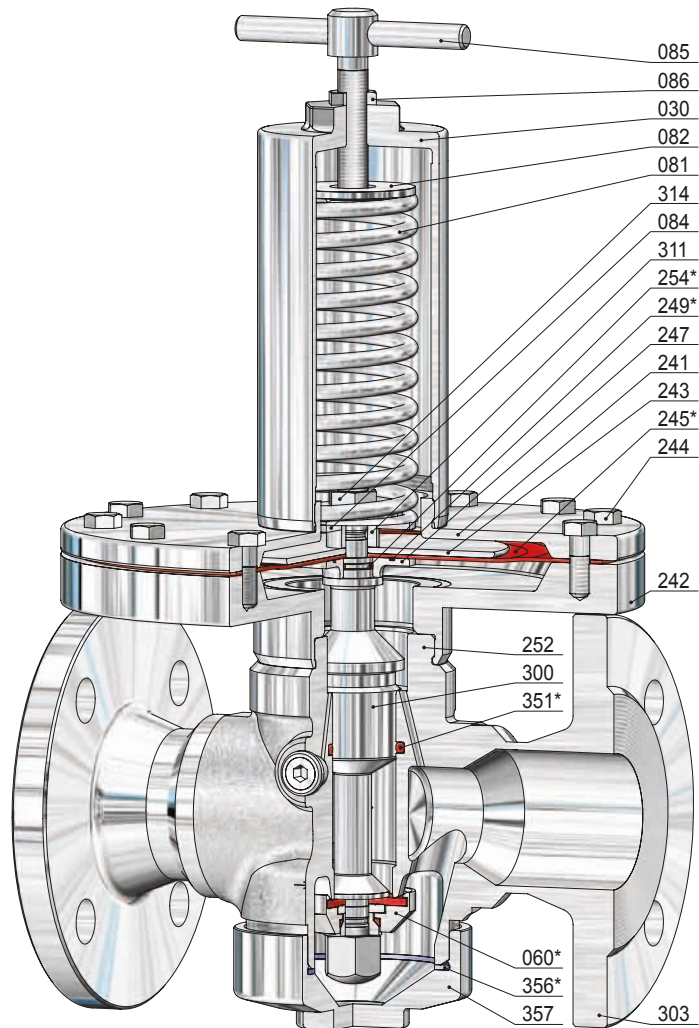
Typ 75



Cap
(Option: AC)



Manometer connection
G ¼



Size III

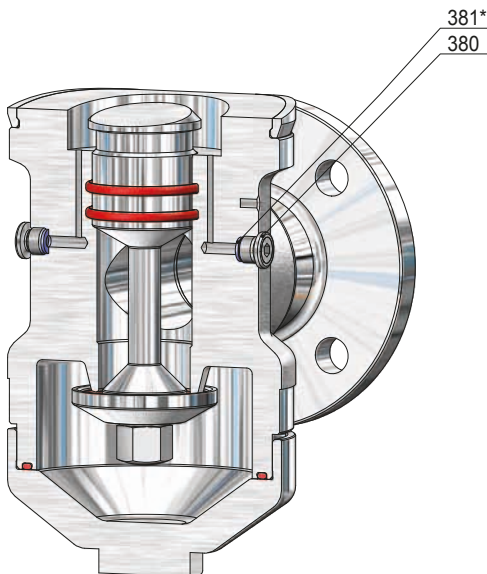
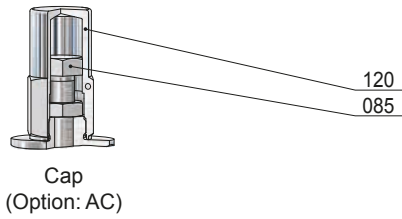
Item	Piece	Description	Item	Piece	Description
303	1	valve body	243	1	upper clamp plate
030	1	spring bonnet	244	12	screw <i>(variable)</i>
060 *	1	disc, complete	245 *	1	diaphragm
560	1	disc	247	1	lower clamp plate
061	1	pressure piece	249 *	1	o-ring
062	1	soft sealing	252	1	adapter
065	1	disc bolt	254 *	1	o-ring
071	1	o-ring	300	1	piston
072	1	locking ring	311	1	distance bush
073	1	o-ring <i>(only for thermoplastics soft sealing)</i>	314	1	lock nut
081	1	spring	351 *	1	o-ring
082	1	springplate, upper	356 *	1	sealing ring
084	1	springplate, lower	357	1	bottom plug
085	1	adjusting screw	380	2	screw plug
086	1	lock nut	381 *	2	sealing ring
120	1	cap			
241	1	upper housing			
242	1	lower housing			

* expendable parts

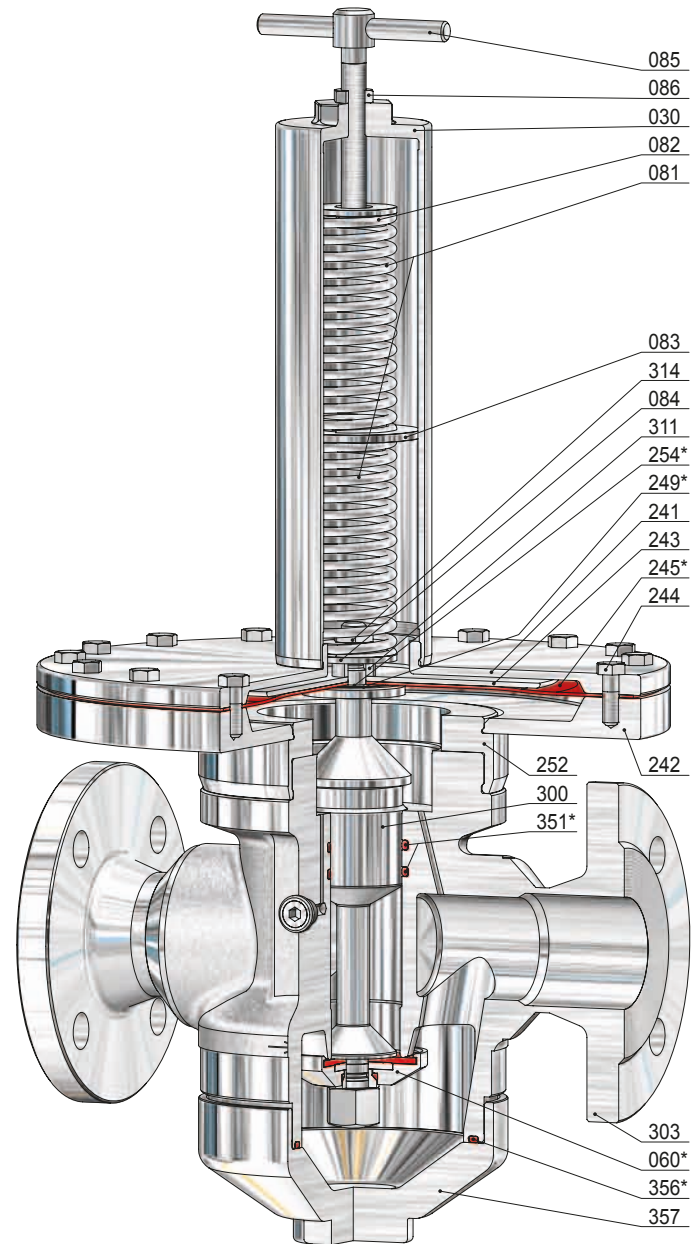
Pressure-Reducing-Valve, springloaded

for steam, gases and liquids

Typ 75



Manometer connection G $\frac{1}{4}$



Size IIIB

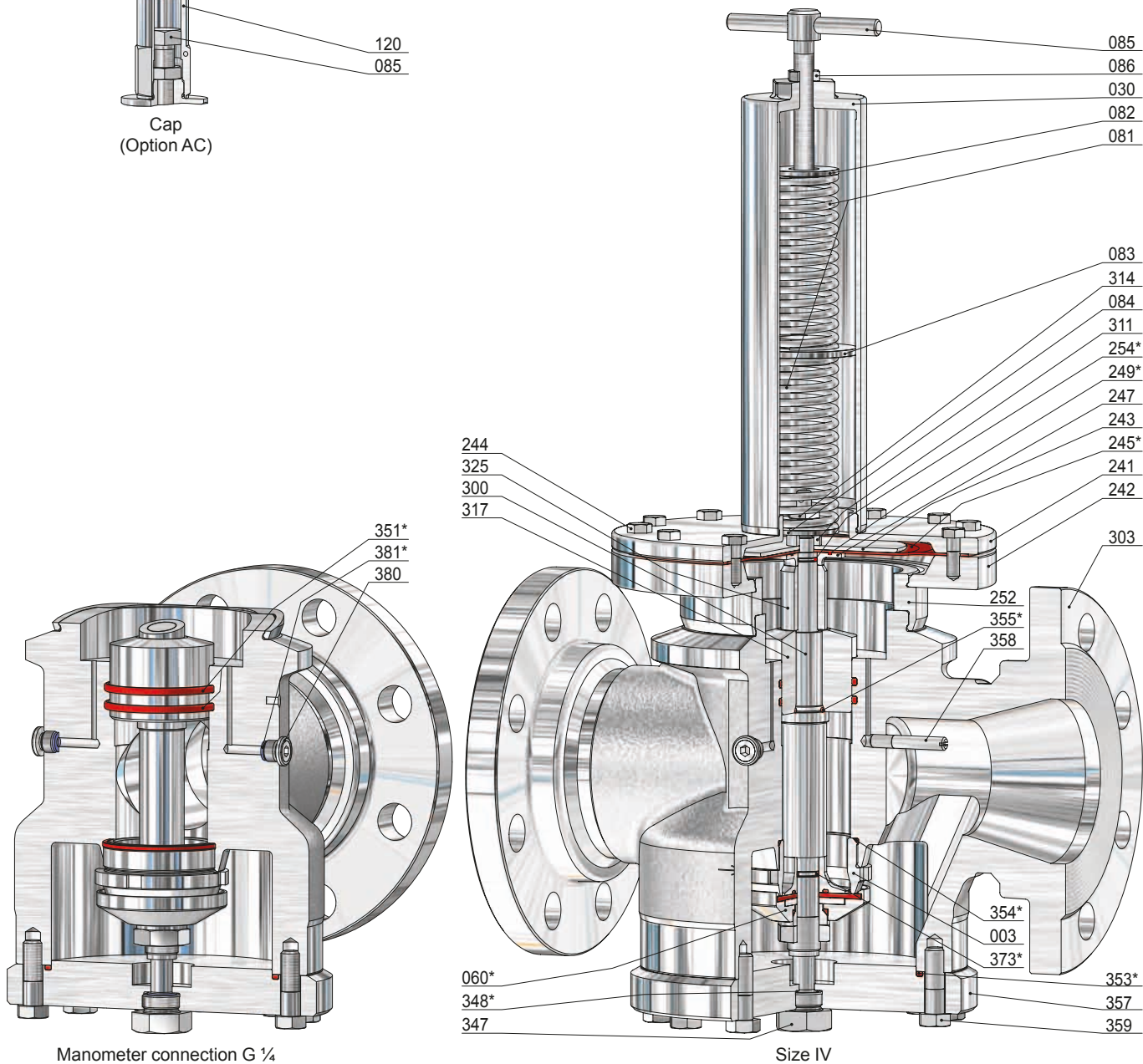
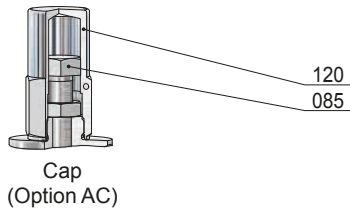
Item	Piece	Description	Item	Piece	Description	Item	Piece	Description
303	1	valve body	081	2	spring	252	1	adapter
030	1	spring bonnet	082	1	springplate, upper	254 *	1	o-ring
060 *	1	disc, complete	083	1	springplate, middle	300	1	piston
560	1	disc	084	1	springplate, lower	311	1	distance bush
061	1	pressure piece	085	1	adjusting screw	314	1	lock nut
062	1	soft sealing	086	1	lock nut	351 *	2	o-ring
065	1	disc bolt	120	1	cap	356 *	1	sealing ring
071	1	o-ring	241	1	upper housing	357	1	bottom plug
072	1	locking ring	242	1	lower housing	380	2	screw plug
073	1	o-ring (only for thermoplastics soft sealing)	243	1	upper clamp plate	381 *	2	sealing ring
			244	16	screw (variable)			
			245 *	1	diaphragm			
			249 *	1	o-ring			

* expendable parts

Pressure-Reducing-Valve, springloaded

for steam, gases and liquids

Typ 75



Manometer connection G 1/4

Size IV

Item	Piece	Description	Item	Piece	Description	Item	Piece	Description
303	1	valve body	085	1	adjusting screw	325	1	distance bushing
003	1	seat	086	1	lock nut	347	1	screw
030	1	spring bonnet	120	1	cap	348 *	1	o-ring
060 *	1	disc, complete	241	1	upper housing	351 *	2	o-ring
560	1	disc	242	1	lower housing	353 *	1	o-ring
061	1	pressure piece	243	1	upper clamp plate	354 *	1	o-ring
062	1	soft sealing	244	12	screw (variable)	355 *	1	o-ring
065	1	disc bolt	245 *	1	diaphragm	357	1	bottom plug
071	1	o-ring	247	1	lower clamp plate	358	1	suction tube
072	1	locking ring	249 *	1	o-ring	359	12	screw
073	1	o-ring	252	1	adapter	373 *	1	o-ring
074	1	disc plate	254 *	1	o-ring	380	2	screw plug
081	2	spring	300	1	piston	381 *	2	sealing ring
082	1	springplate, upper	311	1	distance bush			
083	1	springplate, middle	314	1	lock nut			
084	1	springplate, lower	317	1	piston guide			

* expendable parts