

# Pressure-Reducing-Valve, springloaded

for steam, gases and liquids

## Typ 70 SKK

### Standard version:

**Material:** Valve-body / media contact surfaces  
**Typ 70 SKK: BG 0** 1.4301 / 1.4571  
 1.4435 / 1.4404

**Connections:**  
 Aseptic flange e.g. DIN 11864-2 **F (...)**  
 Flange e.g. DIN 2633 (PN16) **F**  
 Screwed connection e.g. DIN ISO 228 **IG**  
 Male union e.g. DIN 11851 **GA, GA (...)**  
 Clamp liner e.g. DIN 32676 **CL, CL (...)**

**Options:**  
 CIP able design  
 Air loaded  
 Surface quality inside and outside  
 Seals with USP-, ADI-Certificate

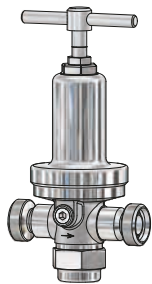
**Sealings:**  
 AF100 (steam up to 200°C)  
**FDA-konforme sealings:**  
 EPDM (steam sterilisation up to 140°C)  
 PTFE, EPDM (steam up to 150°C)  
 PTFE, EPDM (steam up to 200°C)

**Features:**

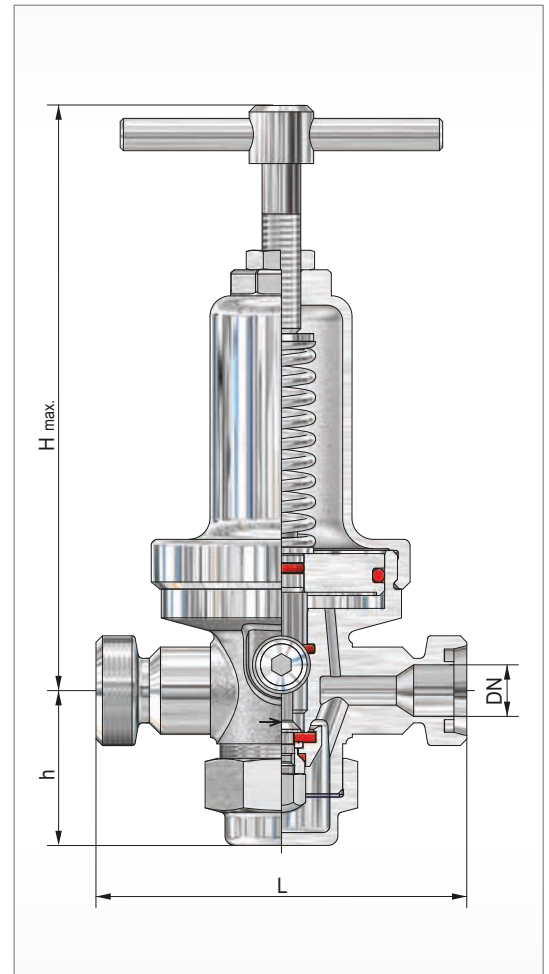
- Forged valve body
- Relieved disc, independent of inlet pressure
- Medium-contacted inner parts Ra ≤ 2,6 µm
- Piston controlled
- Tight with zero-consumption
- Steam sterilisation up to 140°C

### Approvals:

**Pressure Equipment Directive: 97/23/EG**  
 Declaration of Conformity



Size 0  
GA



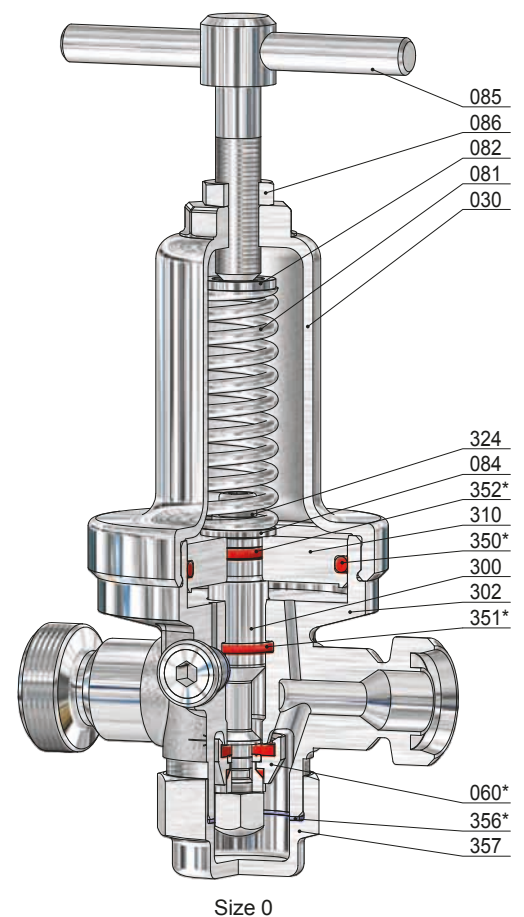
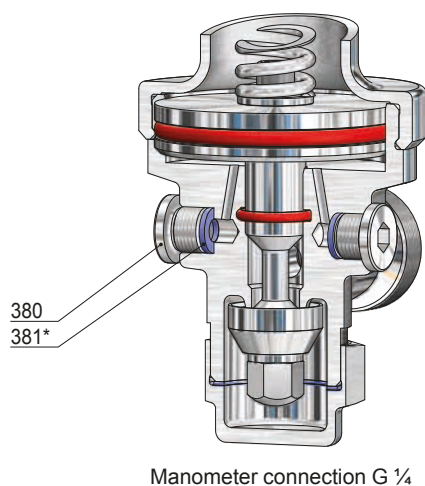
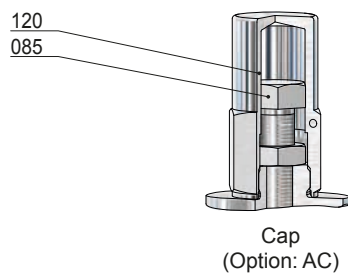
Size	Inlet			Outlet			Dimensions				Kvs value [m³/h]
	PN			PN			Height H max.				
	DN	NPS	Inlet pressure range P1 [bar(g)]	DN	NPS	Reduced pressure range P2 min. [bar(g)] max.	Toggle spindle [mm]	Cap [mm]	L [mm]	h [mm]	
0	8	1/4	63	8	1/4	0,35 / 17,00	see page (A 70 SKK)				1,2
	10	3/8		10	3/8						2,0
	15	1/2		15	1/2						2,2

other design on request

# Pressure-Reducing-Valve, springloaded

for steam, gases and liquids

## Typ 70 SKK



Item	Piece	Description	Item	Piece	Description
302	1	valve body	086	1	lock nut
030	1	spring bonnet	120	1	cap
060 *	1	disc, complete	300	1	piston
560	1	disc	310	1	piston plate
061	1	pressure piece	324	1	screw
062	1	soft sealing	350 *	1	o-ring
065	1	disc bolt	351 *	1	o-ring
071	1	o-ring	352 *	1	o-ring
072	1	locking ring	356 *	1	sealing ring
073	1	o-ring <i>(only for thermoplastics soft sealing)</i>	357	1	bottom plug
081	1	spring	380	2	screw plug
082	1	springplate, upper	381 *	2	sealing ring
084	1	springplate, lower			
085	1	adjusting screw			

\* expendable parts