

Relief-Valve, springloaded

for steam, gases and liquids in closed completion

Typ 3

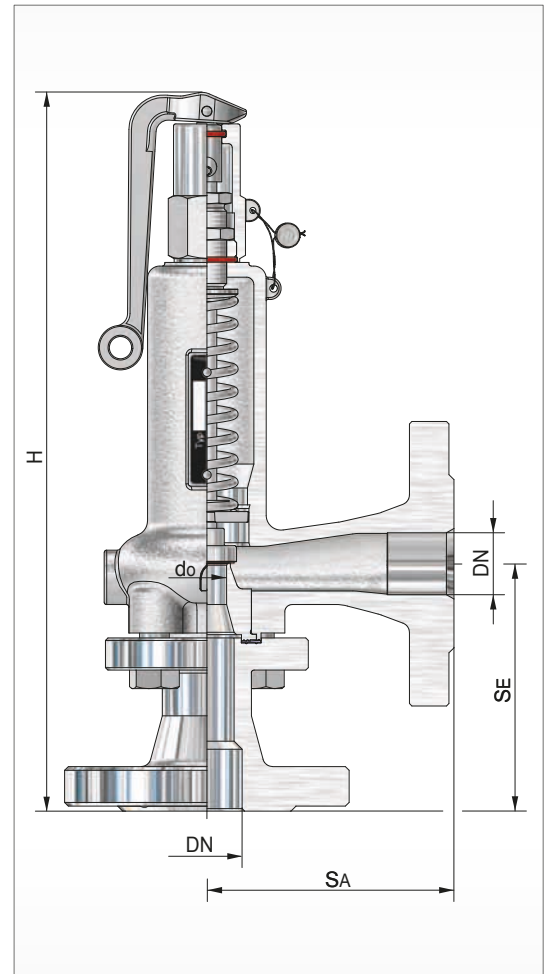
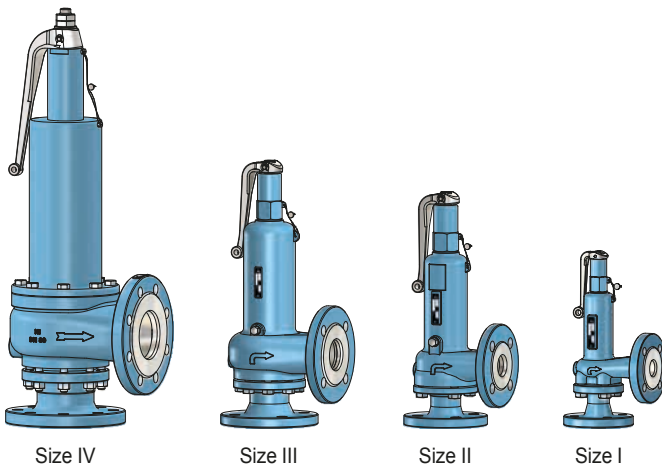
Standard version:

Material:	Inlet body	/ Spring bonnet, outlet body	Temperature ranges metal seated
Typ 3.1: BG I	1.0460	/ 0.7043	-10°C to 280°C
BG II - IV	1.0619	/ 1.0619	-10°C to 350°C
Typ 3.2: BG I	1.4571	/ 1.4581	-60°C to 280°C
BG II - IV	1.4571, 1.4581	/ 1.4581	-60°C to 350°C
Typ 3.7: BG I - IV	1.4571	/ 1.4308	-200°C to 280°C

Connections:	soft seated
Flange connections: DIN EN / ASME B16.5	see techn. appendix: KWD-1

Approvals:

Pressure Equipment Directive: 97/23/EG
Declaration of Conformity



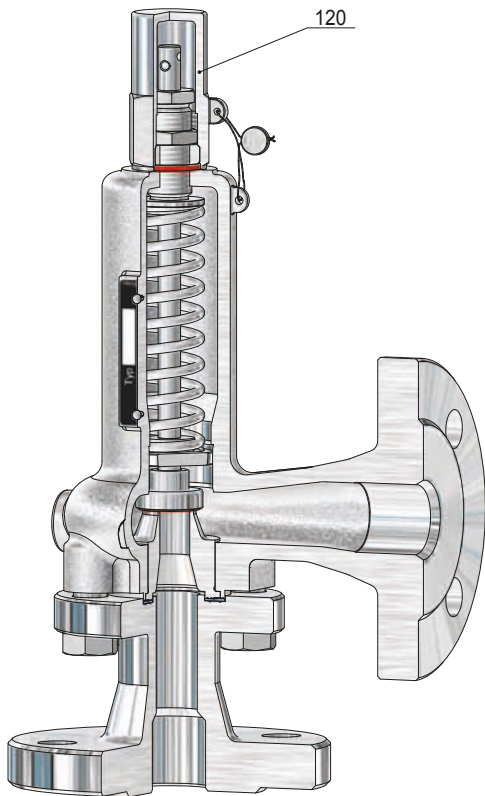
Size	Inlet					Outlet				Height 'H' for head			Set pressure		Weight ~ [kg]
	DN	NPS	PN / Class	do [mm]	SE [mm]	DN	NPS	PN / Class	SA [mm]	A [mm]	C [mm]	p min. [bar(g)]	p max. [bar(g)]		
I	15	1/2	16-320	8, 12,5, 16, 18	90	15	1/2	16-40 150-300	90	282	268	0,20	300	4,3	
	20	3/4	150-2500		95	20	3/4		95	287		0,20	125	4,5	
	25	1			100	25	1		100	292		0,10	40	4,6	
II	32	1 1/4	16-160	16, 20, 25 20, 25, 32	105	32	1 1/4	16-40 150-300	105	395	375	0,10	90	9,6	
	40	1 1/2	150-1500		115	40	1 1/2		115	405			75	10,0	
III	50	2	16-160	25, 32, 40 32, 40, 50	125	50	2	16-40 150-300	125	450	430	0,10	100	15,0	
	65	2 1/2	150-1500		145	65	2 1/2		145	470		450	0,05	40	19,3
IV	80	3	16-160	32, 40, 50, 58 50, 60, 70	155	80	3	16-40 150	155	700	620	0,05	25	36,8	
	100	4	150-1500		175	100	4		175	730				650	40,5

other design on request

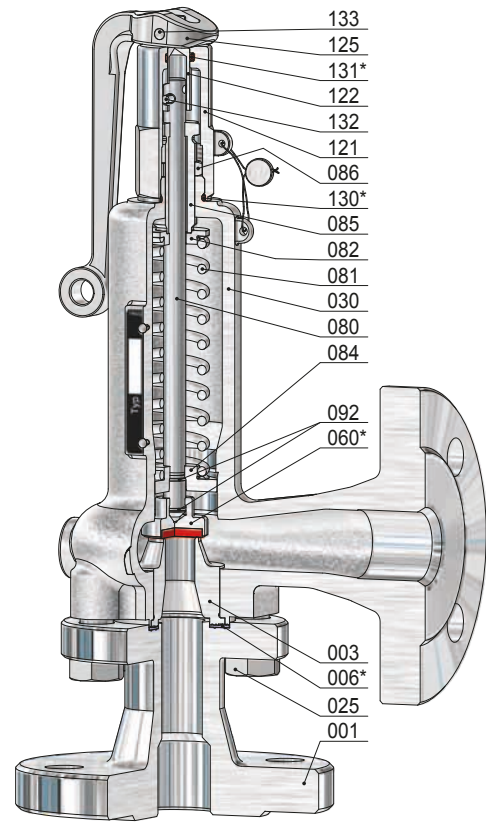
Relief-Valve, springloaded

for steam, gases and liquids in closed completion

Typ 3



Size I
head C



Size I
head A

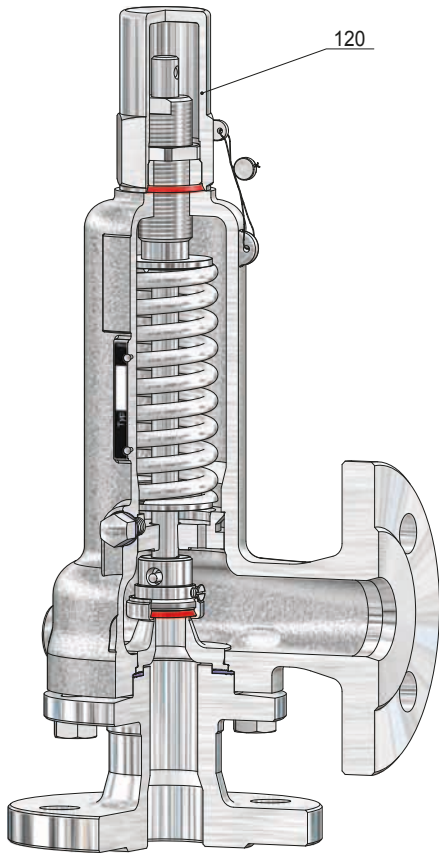
Item	Piece	Description	Item	Piece	Description
001	1	inlet body	086	1	lock nut
003	1	seat	092	2	lock ring
006 *	1	packing ring	120	1	cap
025	4	screw	121	1	lifting cap
030	1	spring bonnet	122	1	coupling
060 *	1	disc, complete	125	1	lifting button
560	1	disc	130 *	1	o-ring
062	1	soft sealing	131 *	1	o-ring
080	1	spindle	132	1	groove pin
081	1	spring	133	1	groove pin
082	1	springplate, upper			
084	1	springplate, lower			
085	1	adjusting screw			

* expendable parts

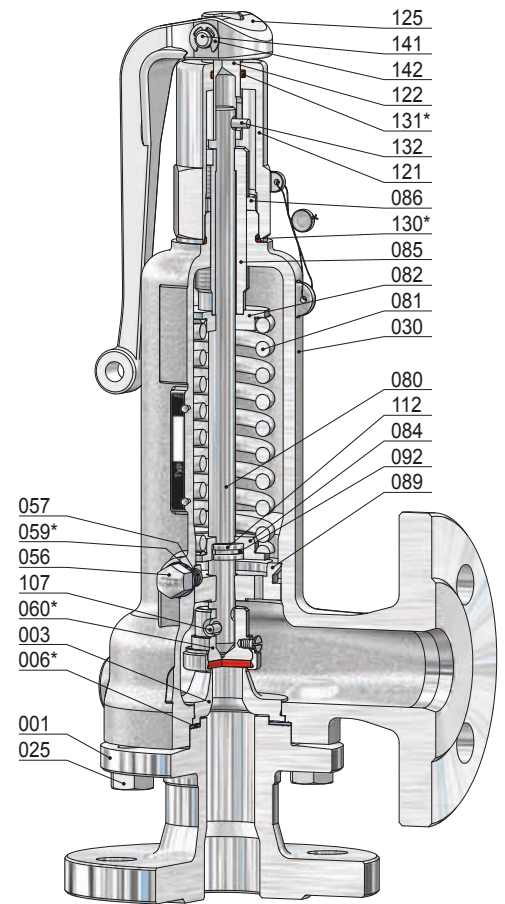
Relief-Valve, springloaded

for steam, gases and liquids in closed completion

Typ 3



Size II
head C



Size II
head A

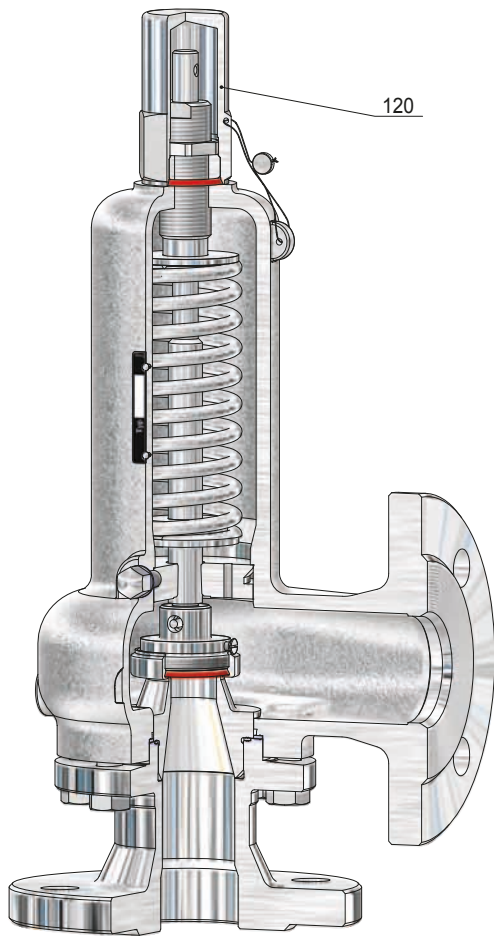
Item	Piece	Description	Item	Piece	Description
001	1	inlet body	085	1	adjusting screw
003	1	seat	086	1	lock nut
006 *	1	packing ring	089	1	guide plate
025	4	screw	092	1	lock ring
030	1	spring bonnet	107	1	spring pin
056	2	lock nut	112	1	split ring
057	2	screwed pin	120	1	cap
059 *	2	packing ring	121	1	lifting cap
060 *	1	disc, complete	122	1	coupling
560	1	disc	125	1	lifting button
062	1	soft sealing	130 *	1	o-ring
063	1	disc ring	131 *	1	o-ring
067	1	security screw	132	1	groove pin
080	1	spindle	141	1	bolt
081	1	spring	142	2	stop washer
082	1	springplate, upper			
084	1	springplate, lower			

* expendable parts

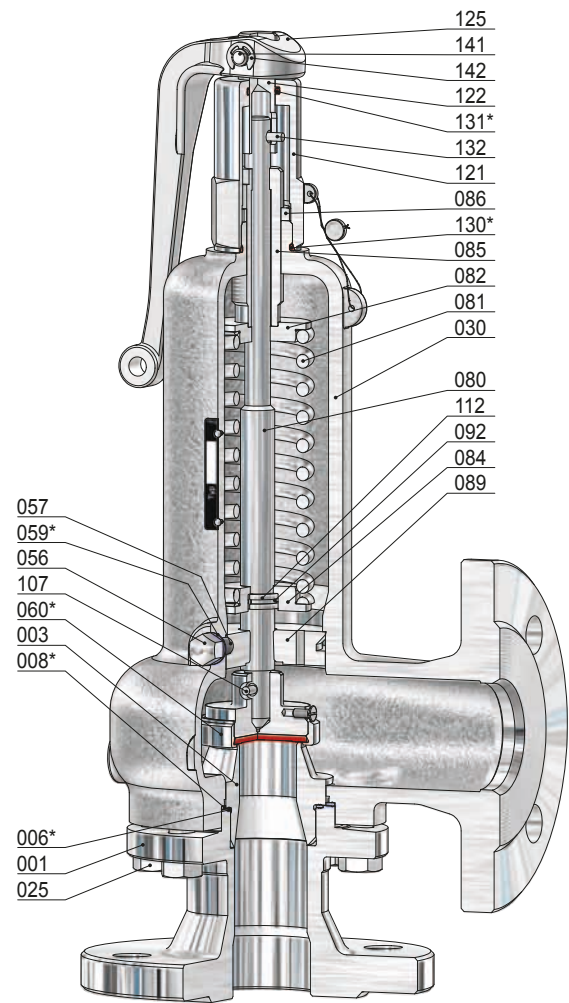
Relief-Valve, springloaded

for steam, gases and liquids in closed completion

Typ 3



Size III
head C



Size III
head A

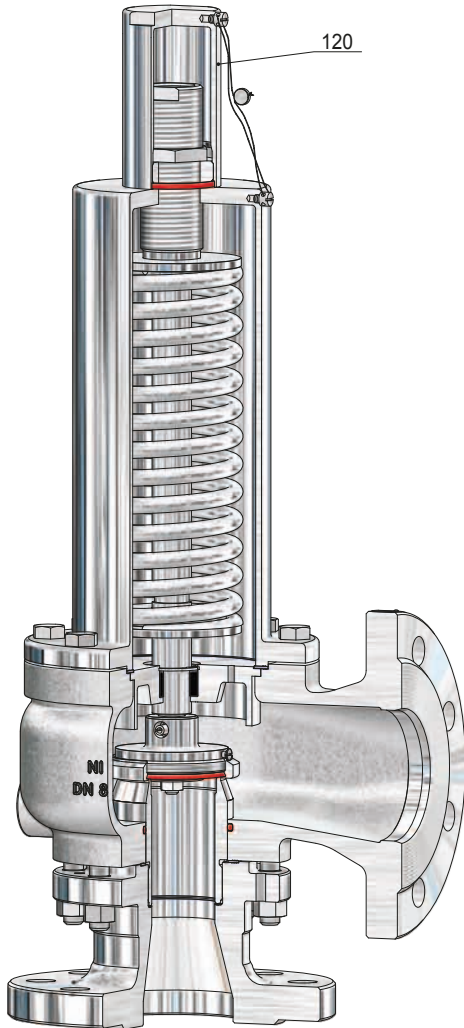
Item	Piece	Description	Item	Piece	Description
001	1	inlet body	084	1	springplate, lower
003	1	seat	085	1	adjusting screw
006 *	1	packing ring	086	1	lock nut
008 *	1	packing ring	089	1	guide plate
025	8	screw	092	1	lock ring
030	1	spring bonnet	107	1	spring pin
056	2	lock nut	112	1	split ring
057	2	screwed pin	120	1	cap
059 *	2	packing ring	121	1	lifting cap
060 *	1	disc, complete	122	1	coupling
062	1	disc	125	1	lifting button
063	1	soft sealing	130 *	1	o-ring
067	1	disc ring	131 *	1	o-ring
067	1	security screw	132	1	groove pin
080	1	spindle	141	1	bolt
081	1	spring	142	2	stop washer
082	1	springplate, upper			

* expendable parts

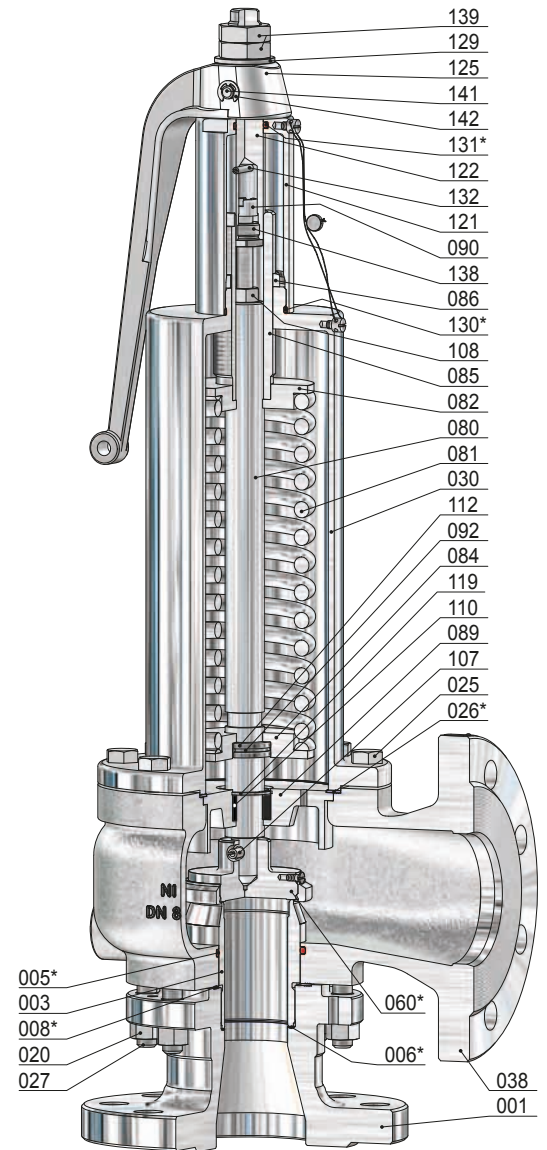
Relief-Valve, springloaded

for steam, gases and liquids in closed completion

Typ 3



Size IV
head C



Size IV
head A

Item	Piece	Description	Item	Piece	Description	Item	Piece	Description
001	1	inlet body	073	1	o-ring	121	1	lifting cap
003	1	seat	074	1	disc plate	122	1	coupling
005 *	1	o-ring	080	1	spindle	125	1	lifting button
006 *	1	packing ring	081	1	spring	129	1	pressure plate
008 *	1	packing ring	082	1	springplate, upper	130 *	1	o-ring
020	8	nut	084	1	springplate, lower	131 *	1	o-ring
025	8	screw	085	1	adjusting screw	132	1	groove pin
026 *	1	packing ring	086	1	lock nut	138	1	screw
027	8	stud bolt	089	1	guide plate	139	2	nut
030	1	spring bonnet	090	1	screw	141	1	bolt
038	1	outlet body	092	1	lock ring	142	2	stop washer
060 *	1	disc, complete	107	1	spring pin			
560	1	disc	108	1	nut			
062	1	soft sealing	110	1	bush			
063	1	disc ring	112	1	split ring			
065	1	disc bolt	119	1	locking ring			
067	1	security screw	120	1	cap			

* expendable parts