

# Full-Lift-Safety-Valve, springloaded

for steam, gases and liquids in closed completion

## Typ 19

### Standard version:

Material:	Inlet body	/ Outlet body	Temperature ranges
<b>Typ 19.1:</b>	1.4104	/ 0.7043	-10°C to 280°C
<b>Typ 19.2:</b>	1.4571	/ 1.4581	-60°C to 280°C
<b>Typ 19.7:</b>	1.4571	/ 1.4308 <i>only with head C</i>	-200°C to 280°C

Connections:	soft seated
Screwed connection: DIN ISO 228 / ASME B1.20.1	see techn. appendix: KWD-1

### Approvals:

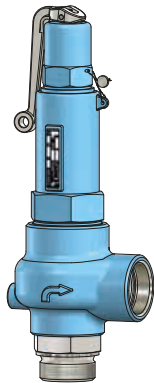
Pressure Equipment Directive: 97/23/EG  
Declaration of Conformity



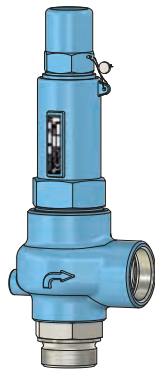
### TÜV - Approval:

VdTÜV-leaflet AD 2000-leaflet A 2

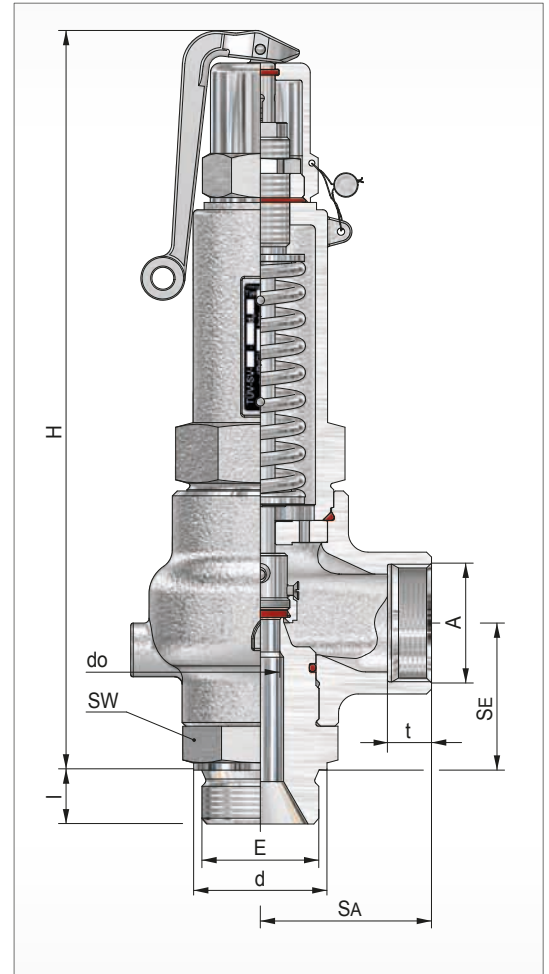
TÜV • SV • XX-940 • do • D/G/F • α<sub>w</sub> • p



Size II  
head A



Size II  
head C



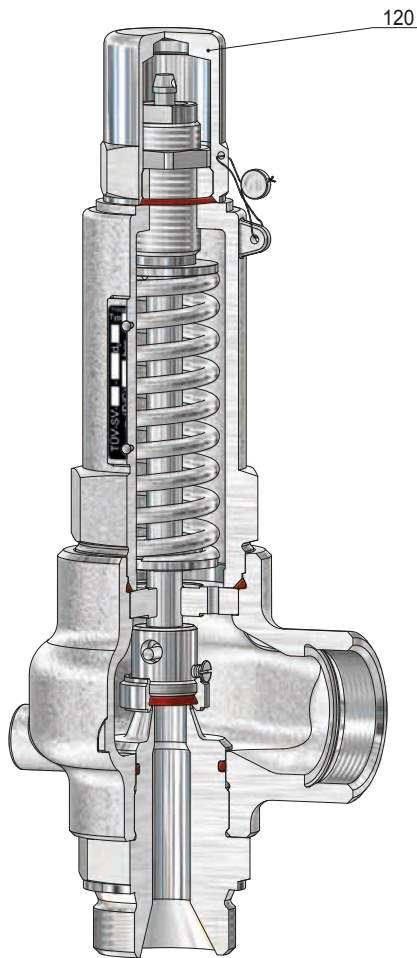
Size	Inlet					Outlet				Dimensions		Height 'H' for head			Coefficient		Set pressure		Weight ~ [kg]
	E	SE	d	l(G)	l(NPT)	A	SA	t(G)	t(NPT)	SW	do	A	C	D/G	F	p min.	p max.		
		[mm]	[mm]	[mm]	[mm]		[mm]	[mm]	[mm]	[mm]	[mm]	[mm]	[mm]	α <sub>w</sub> max.	α <sub>w</sub>	[bar(g)]	[bar(g)]		
II	¾	60	32	16	14	1 ½	70	18	18	50	12,5	305	290	0,77	-	7	130	3,6	
														0,77	0,56	20	130		
														0,60	0,45	0,10	70		
														0,77	-	7	130		
														0,77	0,56	20	130		
														0,60	0,45	0,10	70		
	1	39	18	18	0,60									0,45	0,10	70			
					0,77									-	7	130			
					0,77									0,56	20	130			
					0,60									0,45	0,10	70			
					0,58									0,45	0,10	40			
					0,60									0,45	0,10	70			
1 ¼	49	20	18	0,58	0,45	0,10	40												
				0,60	0,45	0,10	70												
				0,52	0,37	0,05	30												
1 ½	55	22	19	0,52	0,37	0,05	30	4,2											

other design on request

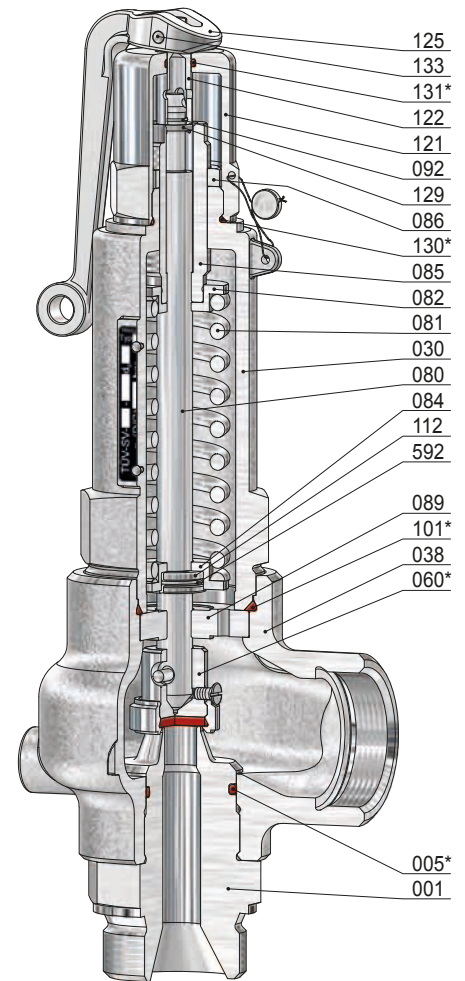
# Full-Lift-Safety-Valve, springloaded

for steam, gases and liquids in closed completion

## Typ 19



Size II  
head C



Size II  
head A

Item	Piece	Description	Item	Piece	Description
001	1	inlet body	086	1	lock nut
005 *	1	o-ring	089	1	guide plate
030	1	spring bonnet	092	1	lock ring
038	1	outlet body	101 *	1	o-ring
060 *	1	disc, complete	112	1	splitted ring
560	1	disc	120	1	cap
062	1	soft sealing	121	1	lifting cap
063	1	disc ring	122	1	coupling
067	1	security screw	125	1	lifting button
107	1	spring pin	129	1	pressure plate
080	1	spindle	130 *	1	o-ring
081	1	spring	131 *	1	o-ring
082	1	springplate, upper	133	1	groove pin
084	1	springplate, lower	592	1	lock ring
085	1	adjusting screw			

\* expendable parts