

# Safety-Valve, springloaded

for non-toxic steam, gases and liquids

# Typ 110

### Standard version:

			Temperature ranges
<b>Material:</b>	Inlet body	/ Bonnet pipe	metal seated
<b>Typ 110.1:</b>	1.4104	/ 2.0401	-10°C to 130°C
<b>Typ 110.2:</b>	1.4571	/ 1.4301	-60°C to 130°C
<b>Connections:</b>			soft seated
Screwed connection: DIN ISO 228 / ASME B1.20.1			see techn. appendix: KWD-1

### Approvals:

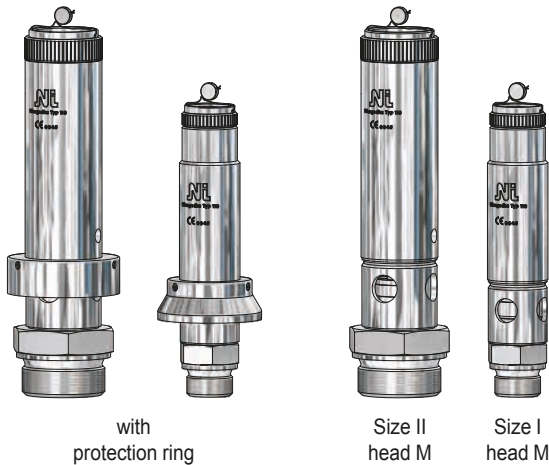
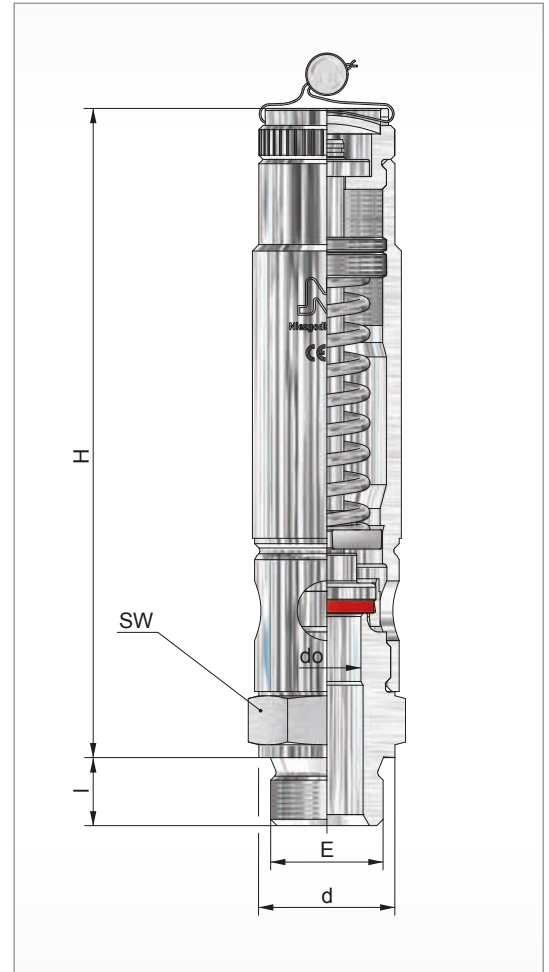
**Pressure Equipment Directive:** 97/23/EG  
Declaration of Conformity



### TÜV - Approval:

VdTÜV-leaflet AD 2000-leaflet A 2

TÜV • SV • XX-990 / 1050 • do • D/G • αw • p



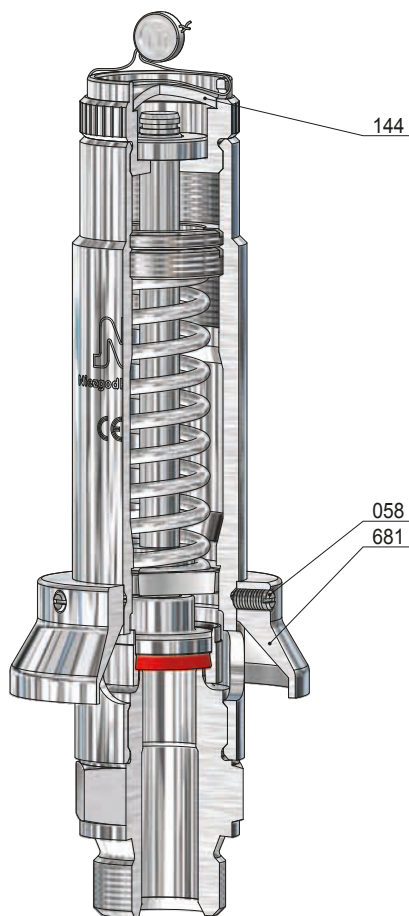
Size	Inlet				Outlet A	Dimensions			Height 'H' for head			Coefficient		Set pressure		Weight ~ [kg]
	E	d	I (G)	I (NPT)		SW	do	M	D/G	αw max.	p min.	p max.				
		[mm]	[mm]	[mm]	[mm]	[mm]	[mm]	[mm]					[bar(g)]	[bar(g)]		
I	3/8	22	12	11	free	32	10	153				0,29	0,1	52	0,5	
							8					0,46	15,0	84		
							12,5					0,12	0,1	45		
	1/2	26	14	14			10					0,29	0,1	52		
							8					0,46	15,0	84		
							16					0,13	0,05	31		
	3/4	32	16	14			12,5					0,12	0,1	45		
							10					0,29	0,1	52		
							8					0,46	15,0	84		
II	1/2	26	14	14	free	41	12,5	190				0,50	0,09	67	0,8	
							16					0,38	0,06	60		
	3/4	32	16	14			12,5					0,50	0,09	67		
							16					0,38	0,06	60		
	1	39	18	18			12,5					0,50	0,09	67		
							27					0,20	0,03	25		
	1 1/4	49	20	18			22					0,22	0,04	35		
							16					0,38	0,06	60		
	1 1/2	55	22	19			27					0,20	0,03	25		
							22					0,16	0,04	35		
	2	60	24	20			27					0,20	0,03	25		

other design on request

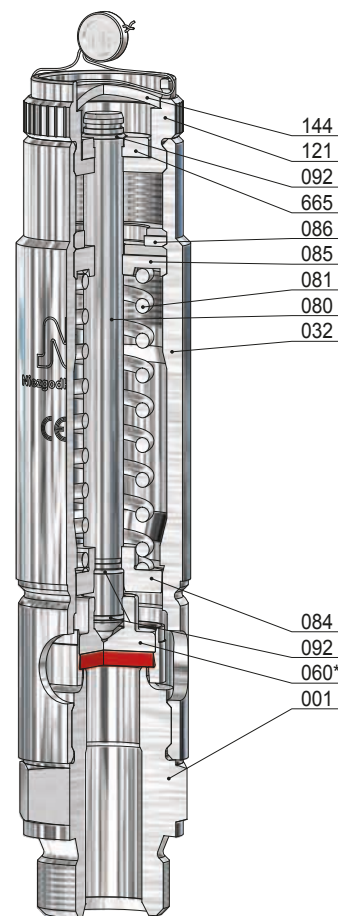
# Safety-Valve, springloaded

for non-toxic steam, gases and liquids

## Typ 110



with protection ring  
recommend at each do  
for  $p > 30$  [bar(g)]



Size I  
head M, liftable

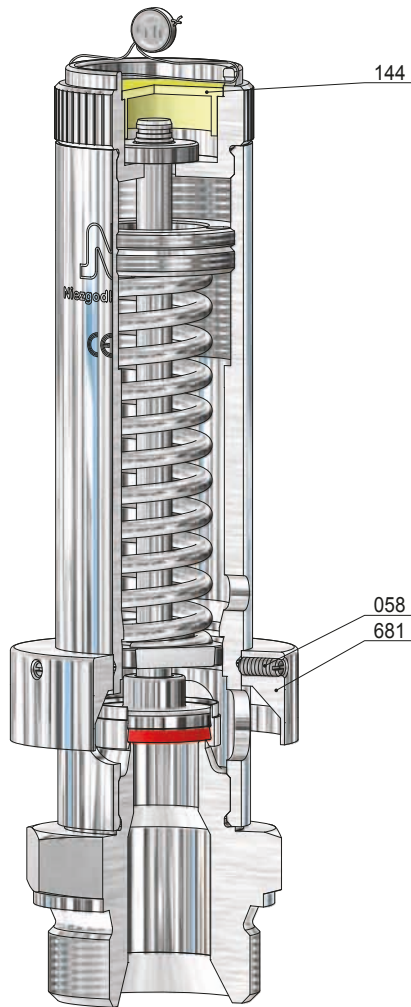
Item	Piece	Description	Item	Piece	Description
001	1	inlet body	121	1	lifting cap
032	1	bonnet pipe	144	1	lock washer
058	3	screwed pin	665	1	washer
060 *	1	disc, complete	681	1	protection ring
560	1	disc			
062	1	soft sealing			
063	1	disc ring			
080	1	spindle			
081	1	spring			
084	1	springplate, lower			
085	1	adjusting screw			
086	1	lock nut			
092	3	lock ring			

\* expendable parts

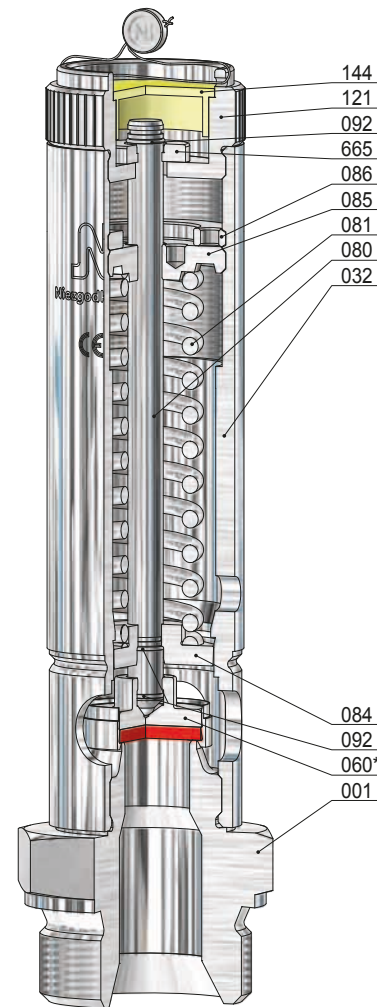
# Safety-Valve, springloaded

for non-toxic steam, gases and liquids

## Typ 110



with protection ring  
 recommend at each  
 do 12,5; 16: for / p > 30 [bar(g)]  
 do 22: for / p > 10 [bar(g)]  
 do 27: for / p > 8 [bar(g)]



Size II  
 head M, liftable

Item	Piece	Description	Item	Piece	Description
001	1	inlet body	121	1	lifting cap
032	1	bonnet pipe	144	1	lock washer
058	3	screwed pin	665	1	washer
060 *	1	disc, complete	681	1	protection ring
560	1	disc			
062	1	soft sealing			
063	1	disc ring			
080	1	spindle			
081	1	spring			
084	1	springplate, lower			
085	1	adjusting screw			
086	1	lock nut			
092	3	lock ring			

\* expendable parts