

MEDENUS

Gas Pressure Regulation



Gas pressure regulator

RSP 254 / RSP 255

Regulator

R 70-10 / R 70-20 / R 70-100

Actuator

AS 254 / AS 255

Product information



EN

Table of Contents

Application, Characteristics, Technical Data	5
Application	5
Characteristics	5
Type of model (option)	5
Technical Data	6
Design and function of the gas pressure regulator (GPR)	7
Design and function of the safety shut-off valve (SSV) direct-acting	7
Design and function of the safety shut-off valve (SSV) indirect-acting	7
Sectional view	
Actuator AS 255	8
Sectional view	
Regulators R 70-10, R 70-20, R 70-100 and SSV control device K 70-10	9
K_G^* value	10
Accuracy class AC / Closing pressure group SG	10
Response pressure group AG	
(SSV direct-acting)	10
Response pressure group AG	
(SSV indirect-acting) control device K 70-10	10
SSV setpoint spring table - Control device direct-acting	11
SSV setpoint spring table - Control device direct-acting	12
Regulator setpoint spring table	12
AS 254: Connection of the functional line and breather line	13
AS 255: Connection of the functional line and breather lines	13
R 70: Connection of the functional line and breather lines	13
K 70: Connection of the functional line and breather lines	13
Design	14
Calculation of the required K_G value	14
Device selection	14
Dimensions, Connection and Weight	15
Dimensional drawing of gas pressure regulator	15
Dimensional drawing of regulator	16
Dimensional drawing of control device	16
Dimensions and weight	17
Installation situations	18
Connection example	19
Gas pressure regulator RSP 254	
with integrated SSV indirect-acting	19
Gas pressure regulator RSP 254	
with integrated SSV indirect-acting	
Regulator R 70-10/2 with pneumatic	
1:2 follow-up setpoint converter	20
Gas pressure regulator RSP 254	
with integrated SSV direct-acting	
Regulator R 70-100	21
Order data	22
Contact	23
Notes	25-26

List of abbreviations and formula symbols

AC	Accuracy class	P_{d20}	Outlet pressure R70-20	W_{dsu}	Lower adjustment range (SSV)
AG_o	Upper response pressure group	$P_{d20/2}$	Outlet pressure R70-10 with 1:2 pressure converter for follow-up setpoint adjustment	Δp_{wo}	Min. re-engagement difference between upper response pressure and normal operating pressure
AG_u	Lower response pressure group	$P_{d20/1}$	Outlet pressure R70-10 with 1:1 follow-up setpoint adjustment	Δp_{wu}	Min. re-engagement difference between lower response pressure and normal operating pressure
BV	Breather valve	P_{d10}	Outlet pressure R70-10	MOP	Maximum operating pressure in a system
HDS	High-pressure screw spindle	Q_n	Standard volumetric flow rate	MOP_d	Maximum operating pressure upstream of the system
K_G	value	RSD	Throttle valve		
p_d	Outlet pressure	RSS	Switching valve		
p_{ds}	Setpoint of the outlet pressure	SSV	Safety shut-off valve		
p_{dso}	Upper SSV response pressure	SD	Setting device		
p_{dsu}	Lower SSV response pressure	SG	Closing pressure group		
PS	Maximum allowable pressure	At	Actuator		
p_u	Inlet pressure	t_{ugas}	Gas inlet temperature		
ρ_n	Standard gas density	VS	Valve seat		
P_{dF}	Pneumatic follow-up setpoint from I/P converter	w_u	Inlet gas velocity		
P_{d100}	Outlet pressure R70-100	w_d	Outlet gas velocity		
		W_{dso}	Upper adjustment range (SSV)		

Application, Characteristics, Technical Data

Application

Gas pressure regulator (GDR), indirect-acting (operating with auxiliary power), for systems acc. to DVGW - work sheet G 491 (A) and G 600 (A) (TRGI)

Can be used as an equipment component on gas consumption facilities as defined in EC Directive EU/2016/426 (GAR)

Can be used for the gases defined in DVGW - work sheet G 260 / G 262 and neutral non-aggressive gases.

(other gases on request)

Characteristics

- Regulator with double-diaphragm system
- Model according to DIN EN 334 / 14382
- Integral pressure-tight model (IS)
- Gas pressure regulator with or without integrated SSV
- Compact and maintenance-friendly modular design
- SSV functional class, optionally A or B to DIN EN 14382
- Open-air model

Type of model (option)

- Optionally with micro filter upstream of the regulator
- Optionally with pneumatic follow-up setpoint from I/P converter
- With built-in noise reduction
- With SSV manual release
- With SSV electromagnetic remote release when power is applied or in case of power failure
- With electric position indicator SSV 'Closed' via inductive proximity initiator or via Reed contact
- With BV breather valve or RSS switching valve (for SSV release in case of diaphragm breakage)
- Coating with epoxy resin in RAL colours
- Optionally steel model for marine applications 0 °C to 60 °C

- Special model such as Wobbe correction

$$W_s = \frac{H_s}{\sqrt{d}}$$

$$W_s - \sqrt{P} = \frac{H_s}{\sqrt{d}} - \sqrt{P} = \text{constant} \quad P = \text{burner pressure}$$

Technical Data

Gas pressure regulator	RSP 254 / RSP 255 (with integrated SSV) RP 254 / RP 255 (without integrated SSV)
Actuator model	AS 254 / AS 255 (with integrated SSV) A 254 / A 255 (without integrated SSV)
Safety shut-off valve (SSV)	with MD control device (W_{dsu} 8 mbar - 50 mbar ; W_{dso} 50 mbar - 400 mbar) With MD-R control device (W_{dsu} 30 mbar - 200 mbar ; W_{dso} 300 mbar - 4,000 mbar) With K 70-10 control device indirect-acting (W_{dso} 2,000 mbar - 12,500mbar)
Regulator models	R 70-10, R 70-20, R 70-20 (1:2), R 70-100
Model	Integral pressure-tight (IS)
Max. allowable pressure PS	16 bar
Max. inlet pressure $p_{u,max}$	16 bar
Nominal widths	RSP 254: DN 25, DN 50, DN 80, DN 100, DN 150, DN 200 RSP 255: DN 50, DN 80, DN 100
Actuator flange connection	DIN EN 1092 - flanges PN 16 ASME - B16.5 - flanges Class 150 RF
Pipe connection type	G 1/4" or G 3/8" for threaded pipe connections to DIN EN ISO 8434-1 (DIN 2353)
Actuator material	Al cast alloy or steel* (delivery time on request)
Regulator material	Al wrought alloy or steel
Temperature range (Operating/ambient temperature)	-20 °C to +60 °C to DIN EN 334/ 14382 0 °C to 60 °C for marine applications (steel model)
Function, Strength and Tightness	DIN EN 334 / 14382
Ex protection	The mechanical components of the device do not have any ignition sources of their own and are thus not covered by the scope of ATEX (2014/34/EU). Electrical components used at the device fulfil the ATEX requirements.

*) Corrosivity category to DIN EN ISO 12944-2.
Categories C1 to C5-I are guaranteed without additional coatings.
For category C5-M, an epoxy resin coating is recommended.

Application, Characteristics, Technical Data

Design and function of the gas pressure regulator (GPR)

The gas pressure regulators RSP 254/255 have the function of keeping the outlet pressure of a gas train downstream of a gas pressure regulator largely constant within specified limits, independently of changes in the gas tap or inlet pressure. The required auxiliary energy is obtained from the pressure gradient between the inlet pressure and outlet pressure of the gas pressure regulator. No external energy is required, and no gas whatsoever will flow out of the system into the surrounding atmosphere in standard operation. The regulator consists of the regulating unit, optionally connected upstream to a micro filter and bypass valve.

The control variable - the outlet pressure - is detected by a sensitive diaphragm in the regulating unit, which is part of a double-diaphragm system. The pneumatic amplifier working by the nozzle/baffle plate principle is actuated by the comparator formed by a double-diaphragm system. The bypass valve and possible changes in the setpoint spring can be used to affect the static amplification of the regulator and adjust it to the respective condition of a gas train.

The outlet pressure is applied to the top side of the double-diaphragm system in the regulating unit via a measurement line, converted into a pressure force and compared with the set setpoint spring force as command variable. Any deviation from the control value is followed by a suitable proportional change in the spacing between nozzle and baffle plate, corresponding to a proportional change in the setting pressure. The valve opening required in each case for adjusting the outlet pressure actual value to the setpoint is effected by the setting pressure generated by the actuating drive of the actuator.

In the operating state, the inlet pressure taken at the inlet flows as auxiliary energy through the nozzle/baffle plate system and the bypass valve into the outlet pressure chamber, generating, depending on the position of the nozzle/baffle plate system, the setting pressure for the valve opening position required in each case against the bypass valve. The auxiliary energy gas then flows back to the outlet pressure network via the bypass valve.

In case of zero tap of the gas train, the amplifier valve in the double-diaphragm system of the regulating unit will close tight, causing the closing pressure to be established.

Models with pneumatic follow-up setpoint inputs with 1:1 and 1:2 pressure conversions are available. Using, for example, IP converters allows you to continuously set directly the required outlet pressure setpoint via, for example, 4 to 20 mA signals.

Moreover, by means of a setting spring, variable zero points can be suppressed.

Design and function of the safety shut-off valve (SSV) direct-acting

In case of inadmissible overpressure or lack of gas in the gas train, the actuator of the safety shut-off valve arranged in the same housing on the inlet side will shut off the gas flow.

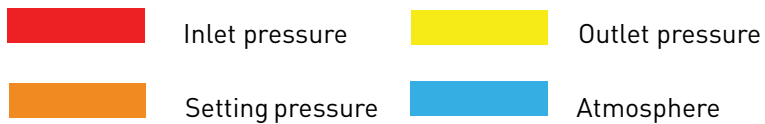
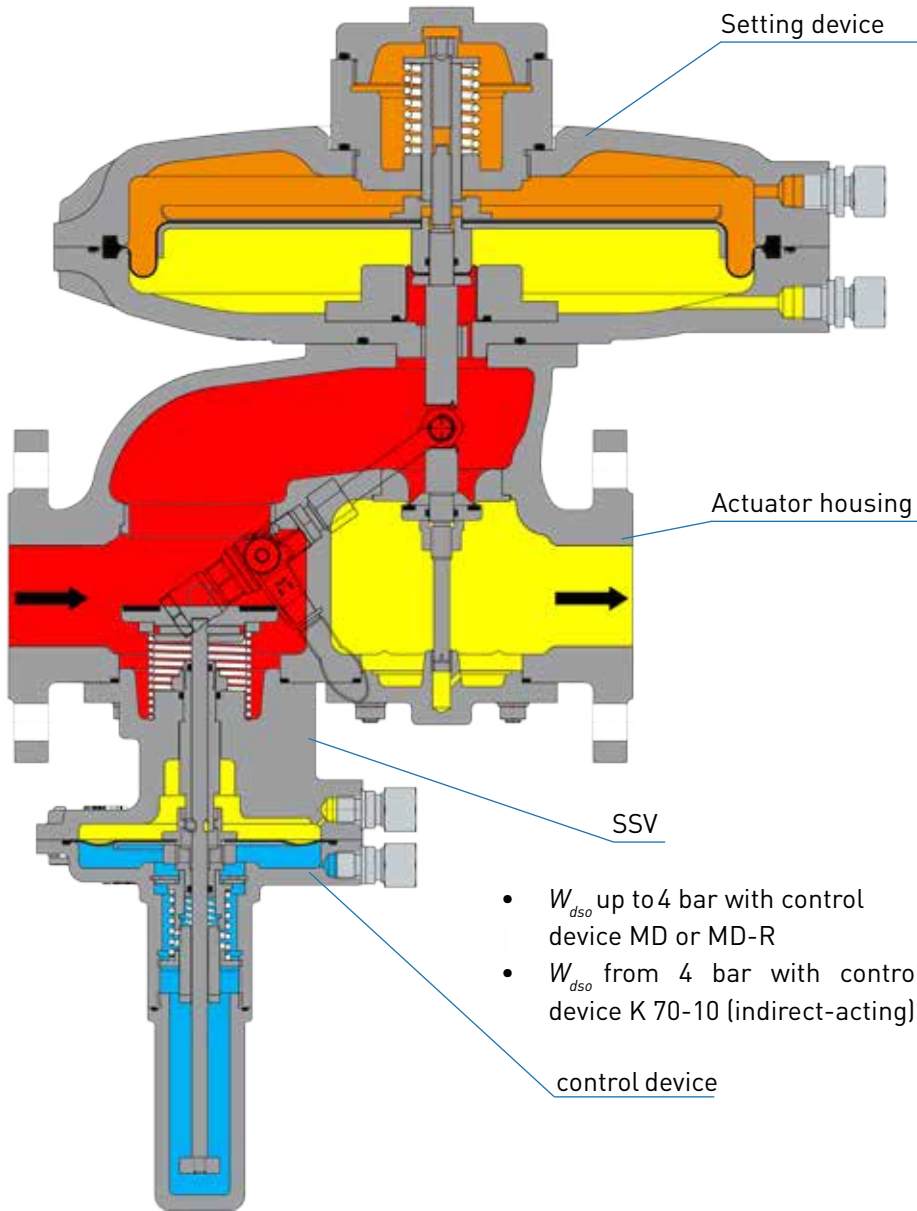
To this end, the outlet pressure to be monitored is passed on to the SSV control device via a separate measurement line. As a function of the change in pressure, the SSV diaphragm in the control device is raised or lowered. When the outlet pressure in the gas train exceeds or falls below a certain response pressure, the switch socket connected to the SSV diaphragm will move to the corresponding disengaging position, the balls of the engaging mechanism will release the SSV screw spindle, and the closing spring will press the SSV valve plate against the valve seat. The SSV actuator shuts off the gas flow gas-tight. The SSV can only be opened by hand and engaged in the open position. To do so, the outlet pressure at the measuring point must be lowered below the upper response pressure or raised above the lower response pressure by at least the re-engaging differential amount (Δp). The SSV can, except where otherwise stipulated in national legislation, be used either in function class A (with diaphragm rupture protection) or B (without diaphragm rupture protection).

There is also the option of using a remote display for the SSV position 'CLOSED' and a manual and remote release when power is applied or in case of power failure.

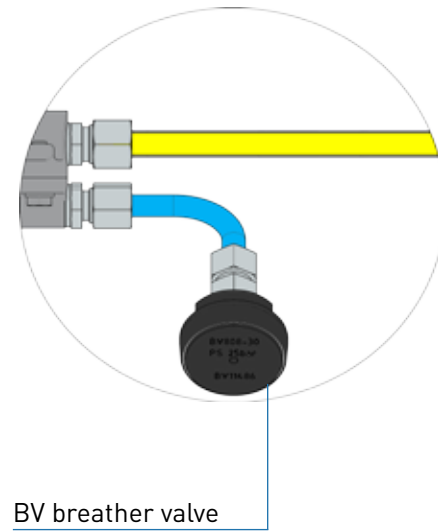
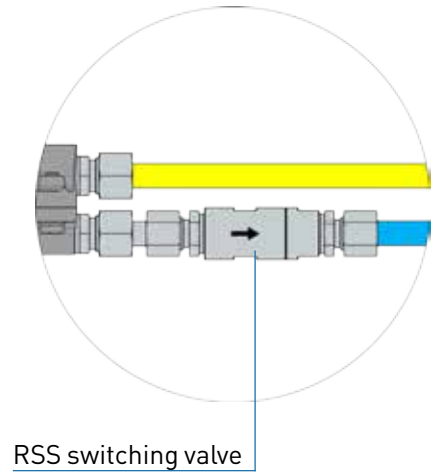
Design and function of the safety shut-off valve (SSV) indirect-acting

At a safeguarding pressure of the gas train of greater than 4 bar, the SSV must be combined with a control device K70-10. In this case, the SSV switching device is designed as function class B and set to a switching pressure of approx. 500 mbar. The control device K70-10 connected upstream of the switching device is set to the upper safeguarding pressure. As soon as the pressure of the gas train reaches the upper safeguarding pressure, the control device will open and allow the gas pressure to flow to the measurement connection of the SSV switching device. Here a pressure of more than 500 mbar will build up, causing the switching device to release as described above. The excess pressure in the measurement line will be let down by flowing into the breather line via the bypass throttle and safely released into the atmosphere.

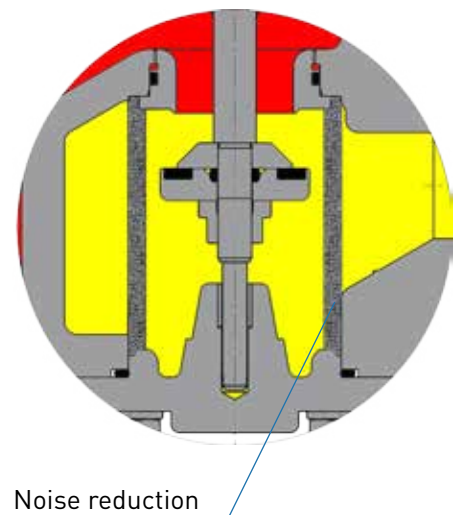
Sectional view
Actuator AS 255



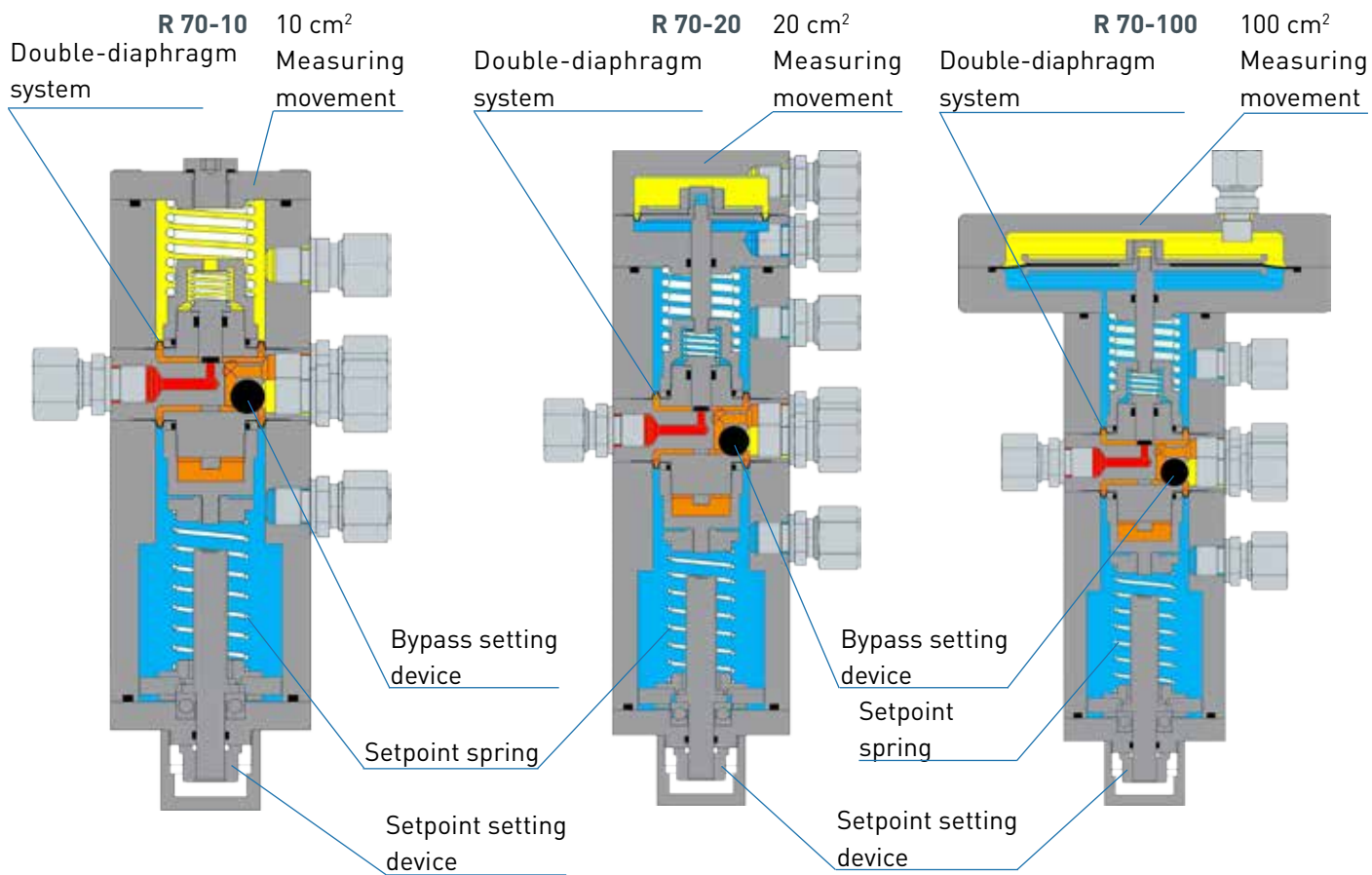
SSV connection options



Option: Noise reduction

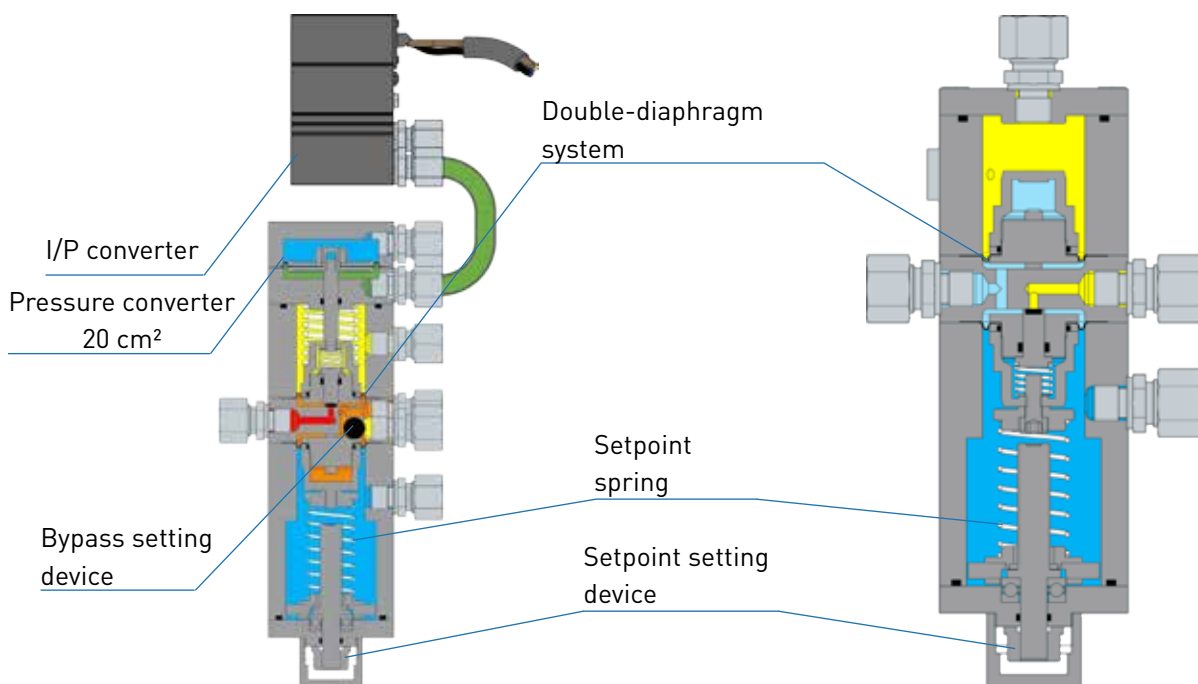


**Sectional view
Regulators R 70-10, R 70-20, R 70-100 and SSV control device K 70-10**



R 70-20
with pneumatic 1:2 pressure converter for follow-up setpoint adjustment, for example, via I/P converter

K 70-10
SSV control device



Application, Characteristics, Technical Data

K_G^* value

	Setting device								
	AS 254						AS 255		
Nominal width	DN 25	DN 50	DN 80	DN 100	DN 150	DN 200	DN 50	DN 80	DN 100
Setting device \varnothing	320	320	390	390	385	385	390	385	385
Valve seat \varnothing	200	220							
17.5 mm	420	500	550	600			550		
27.5 mm		750	850	900			750		
32.5 mm			1,450	1,500	1,600		1,250	1,500	1,500
42.5 mm				1,800	2,000		1,700	1,800	1,850
52.5 mm					3,500			2,600	3,200
65.0 mm					4,600			3,500	4,300
85.0 mm					5,800	6,100			4,800
95.0 mm						8,950			
115.0 mm									

Setting device is approved for a max. pressure differential of 0.5 bar

Accuracy class AC / Closing pressure group SG (preliminary)

Outlet pressure range p_d	\varnothing Setting device		
	320	385	390
10 mbar to 20 mbar	10 / 50	10 / 50	10 / 50
20 mbar to 50 mbar	5 / 20	5 / 20	5 / 20
50 mbar to 500 mbar	5 / 10	5 / 10	5 / 10
0.5 bar to 2.5 bar	2.5 / 10	2.5 / 10	2.5 / 10
2.5 bar to 5 bar	1 / 10	1 / 10	1 / 10
> 5 bar	1 / 5	1 / 5	1 / 5

$(\Delta p_{u,max} \pm 2bar)$

Response pressure group AG (SSV direct-acting)

Upper response pressure group AG	
30 mbar to 100 mbar	AG 10
100 mbar to 500 mbar	AG 5
> 500mbar	AG 2.5
Lower response pressure AG	
5 mbar to 30 mbar	AG 20
30 mbar to 50 mbar	AG 10
> 50mbar	AG 5

Response pressure group AG (SSV indirect-acting) control device K 70-10

Upper response pressure group AG	
800 mbar to 4,000 mbar	AG 2.5
> 4,000 mbar	AG 2,5

*) K_G value for natural gas: $d = 0.64$ ($\rho_n = 0.83 \text{ kg/m}^3$), $t_{\text{ugas}} = 15 \text{ }^\circ\text{C}$

SSV setpoint spring table - Control device direct-acting

Type	Upper response pressure		Lower response pressure		Spring data		
	W_{dso} [mbar]	Δp_{wo} [mbar]	W_{dsu} [mbar]	Δp_{wu} [mbar]	Spring no.	Colour [RAL]	
MD small ball lock AS 254: DN 25 - 100 AS 255: DN 50 - 80			2 - 8	15	FE 900	1028	
			8 - 18	15	FE 901	2002	
			18 - 30	20	FE 902	6010	
			22 - 35	30	FE 903	5015	
			31 - 45	30	FE 904	9005	
			45 - 60	40	FE 905	9010	
			60 - 85	50	FE 906	4002	
	40 - 80	20			FD 911	2002	
	65 - 120	30			FD 912	6010	
	100 - 170	30			FD 913	5015	
	140 - 240	40			FD 914	9005	
	200 - 370	60			FD 915	9010	
	360 - 510	80			FD 916	3020	
	490 - 710	80			FD 917	5010	
	630 - 1080	100			FD 918	9006	
	980 - 1500	200			FD 919	4002	
	MD-R small ball lock AS 254: DN 25 - 100 AS 255: DN 50 - 80			35 - 52	30	FE 900	1028
				50 - 80	40	FE 901	2002
				75 - 110	50	FE 902	6010
			90 - 130	80	FE 903	5015	
			115 - 160	80	FE 904	9005	
			160 - 210	100	FE 905	9010	
			220 - 290	100	FE 906	4002	
100 - 135		30			FD 910	1028	
130 - 265		40			FD 911	2002	
210 - 380		60			FD 912	6010	
320 - 530		80			FD 913	5015	
440 - 730		80			FD 914	9005	
600 - 1130		100			FD 915	9010	
1050 - 1500		200			FD 916	3020	
1450 - 2100		200			FD 917	5010	
1850 - 3500		200			FD 918	9006	
2800 - 4000		200			FD 919	4002	

SSV setpoint spring table - Control device direct-acting

Type	Upper response pressure		Lower response pressure		Spring data	
	W_{dso} [mbar]	Δp_{wo} [mbar]	W_{dsu} [mbar]	Δp_{wu} [mbar]	Spring no.	Colour [RAL]
MD large ball lock AS 254: DN 150 - 200 RSP 255: DN 100			10 - 40	15	FM 400	1028
			35 - 115	30	FM 402	6010
			60 - 245	60	FM 404	9005
	40 - 180	20			FL 412	6010
	70 - 340	50			FL 413	5015
	330 - 1100	80			FL 415	9010
MD-R large ball lock AS 254: DN 150 - 200 RSP 255: DN 100			10 - 180	50	FM 400	1028
			155 - 380	100	FM 402	6010
			200 - 950	150	FM 404	9005
	145 - 670	100			FL 412	6010
	270 - 1230	200			FL 413	5015
	1200 - 4500	200			FL 415	9010

Determining the upper response pressure

Output pressure P_d	Upper response pressure W_{dso} *
≤ 200 mbar	$P_d + 100$ mbar
> 200 mbar to ≤ 800 mbar	$P_d \times 1.5$
> 800 mbar to ≤ 1600 mbar	$P_d \times 1.3$
> 1600 mbar	$P_d + 500$ mbar

Regulator setpoint spring table

R70-100	R70-20		R70-10		Spring data	
P_{d100} [mbar]	P_{d20} [mbar]	P_{d20s} [mbar] (1:2)	P_{d10} [mbar]	P_{d10s} [mbar] (1:1)	Spring no.	Colour [RAL]
0-37	0-180	$P_{d20s} = P_{d10} + P_h \times 2$	0-370	$P_{d10s} = P_{d10} + P_h$	FD 911	2002
30-85	150-400		300-850		FD 912	6010
55-160	250-750		550-1600		FD 913	5015
100-260	550-1250		1000-2600		FD 914	9005
200-460	1000-2250		2000-4600		FD 915	9010
400-620	2000-3000		4000-6200		FD 917	5010
600-1300	3000-6500		6000-13000		FD 918	9006

P_h Pneumatic follow-up setpoint from I/P converter (0-6 bar)

P_{d100} Outlet pressure R70-100

P_{d20} Outlet pressure R70-20

P_{d20s} Outlet pressure R70-20 with follow-up setpoint 1:2

P_{d10} Outlet pressure R70-10

P_{d10s} Outlet pressure R70-20 with follow-up setpoint

*) The upper response pressure is rounded up to full tens, for example 251 mbar -> 260 mbar

Dimensions, Connection and Weight

AS 254: Connection of the functional line and breather line

Nominal width	Setting device Setting pressure line / Return line	SSV control device direct-acting	
		SSV measurement line	Breather line
DN 025	Connection* for: Tube 12 x 1.5 (thread G 3/8)	Connection* for: tube 12 x 1.5 (thread G 1/4)	
DN 050			
DN 080		Connection* for: tube 12 x 1.5 (thread G 3/8)	
DN 100			
DN 150			
DN 200			

AS 255: Connection of the functional line and breather lines

Nominal width	Setting device Setting pressure line / Return line	SSV control device direct-acting	
		SSV measurement line	Breather line
DN 050	Connection* for: Tube 12 x 1.5 (thread G 3/8)	Connection* for: tube 12 x 1.5 (thread G 1/4)	
DN 080		Connection* for: tube 12 x 1.5 (thread G 3/8)	
DN 100			

R 70: Connection of the functional line and breather lines

	Function / Breather line
R 70-10	Connection* for: Tube 12 x 1.5 (thread G 1/4)
R 70-20 (1:2)	
R 70-100	

K 70: Connection of the functional line and breather lines

	Function / Breather line
K 70-10	Connection* for: Tube 12 x 1.5 (thread G 1/4)

Note: Observe the following publications in relation to installation, start-up and maintenance:

DVGW - work sheets G 491 and G 600

Operating and Maintenance Instructions RSP 254 / 255

The gas pressure regulators RSP 254 / 255 shall be installed in the pipeline preferably in horizontal position. For all nominal widths, the direction of flow is indicated by an arrow on the housing.

*) Threaded pipe connections to DIN EN ISO 8434-1 (DIN 2353)

Design

Calculation of the required K_G value

$$\begin{aligned} p_d / p_u &> 0.5 \\ K_G \text{ value at} \\ \text{a sub-critical pressure ratio} \\ K_G &= Q_n / \sqrt{p_d \cdot (p_u - p_d)} \end{aligned}$$

$$\begin{aligned} p_d / p_u &\leq 0.5 \\ K_G \text{ value at} \\ \text{a super-critical pressure ratio} \\ K_G &= 2 \cdot Q_n / p_u \end{aligned}$$

Note: all calculated pressures are absolute pressures.

Device selection

The device is selected on the basis of its K_G value from the table of flow rate coefficients (page 10)

Note: For the device design, a capacity reserve of 10% is recommended.

Example:

$$\begin{aligned} p_{u \min} &5.0 \text{ bar} & / & & p_{u \max} &8.0 \text{ bar} \\ p_{d \min} &0.3 \text{ bar} & / & & p_{d \max} &0.5 \text{ bar} \\ Q_{n \min} &800 \text{ m}^3/\text{h} & / & & Q_{n \max} &1500 \text{ m}^3/\text{h} \end{aligned}$$

$$1.5 \text{ bar} / 6 \text{ bar} = 0.25 < 0.5$$

→ Supercritical pressure ratio

$$K_G = 2 \cdot 1500 / 6 = 500 \text{ ((m}^3/\text{h)/bar)}$$

AS 254 DN 50 VS 32.5

K_G value: 750 (m³/h)/bar

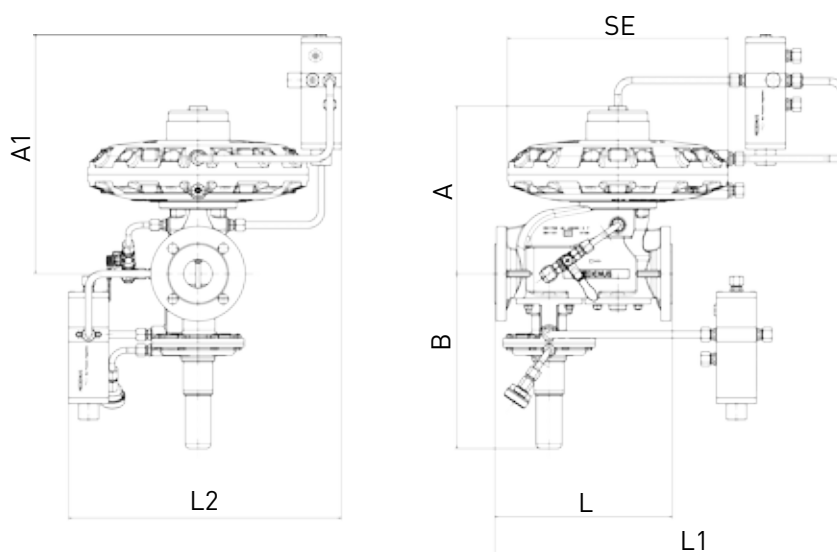
Note: To obtain a more accurate design configuration of our gas pressure regulators, you can use our configurator, on our homepage medenus.de, under Service. (medenus.de/de/service/konfigurator.html)

Dimensions, Connection and Weight

Dimensional drawing of gas pressure regulator

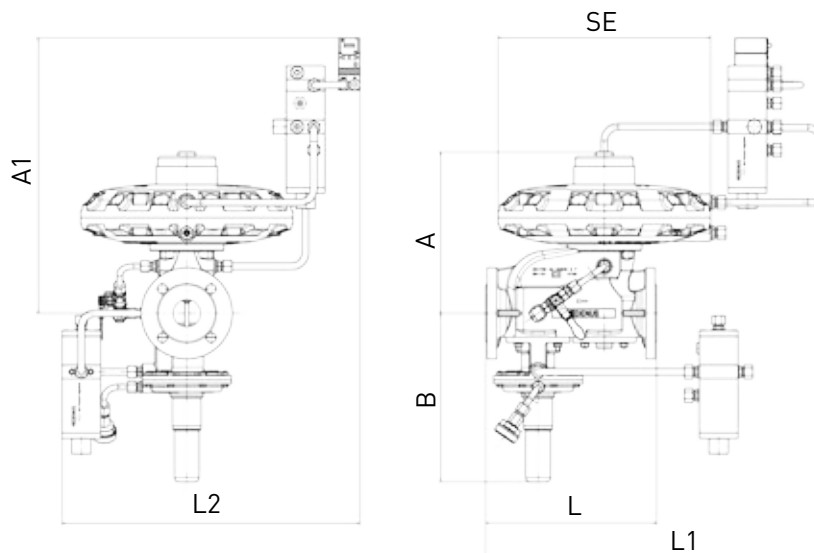
Gas pressure regulator
RSP 255 consisting of:

Actuator AS 255
Regulator R 70-10
Control device K 70-10



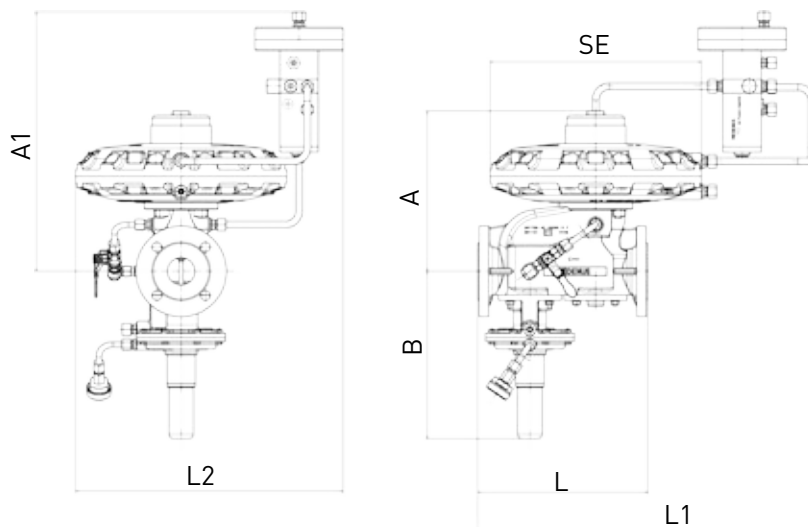
Gas pressure regulator
RSP 255 consisting of:

Actuator AS 255
Regulator R 70-20/2 with I/P
converter
Control device K 70-10



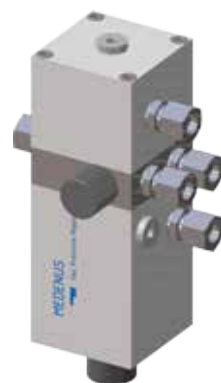
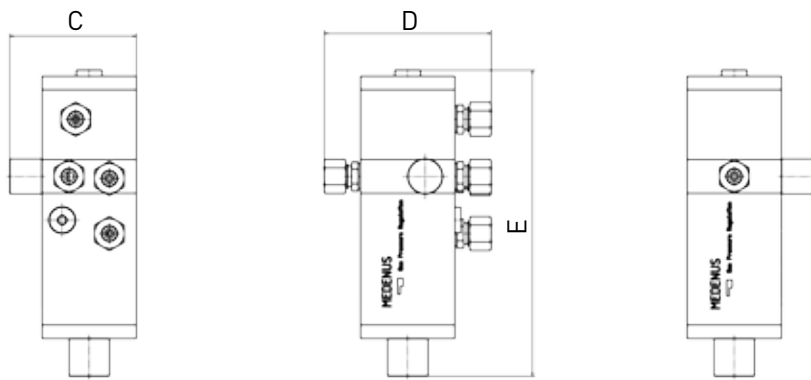
Gas pressure regulator
RSP 255 consisting of:

Actuator AS 255
Regulator R 70-100
Control device MD or MD-R



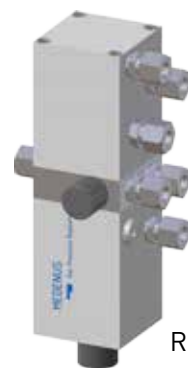
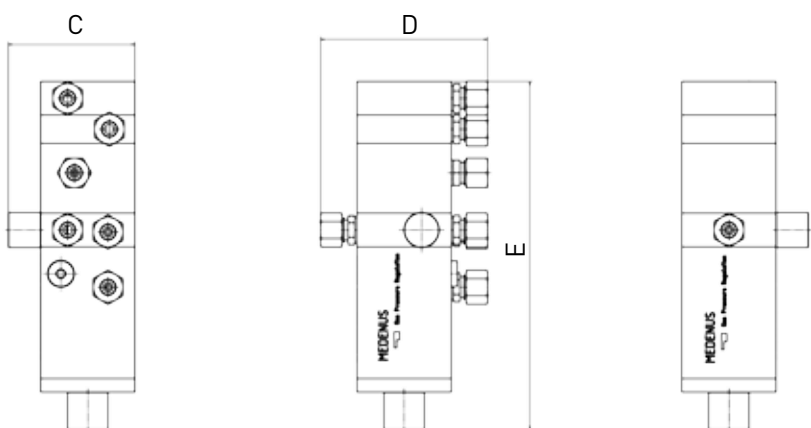
Dimensional drawing of regulator

Pressure range: 0.5 bar - 12 bar



R 70-10

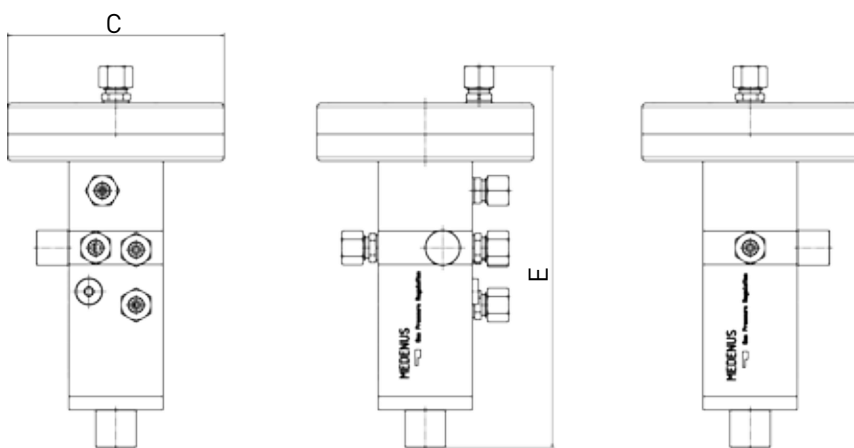
Pressure range: 0.1 bar - 6 bar



R 70-20

R 70-20/2 with follow setpoint adjustment (1:2)

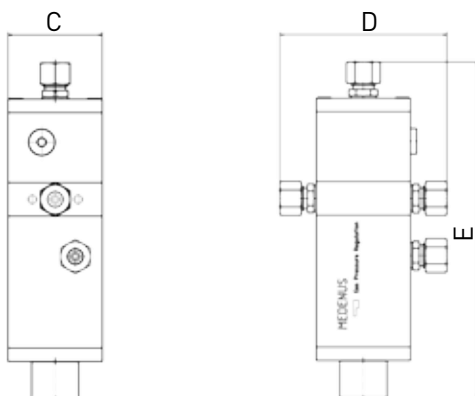
Pressure range: 10 bar - 500 mbar



R 70-100

Dimensional drawing of control device

Pressure range: 2 bar - 12,5 bar



K 70-10

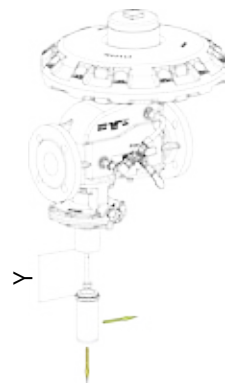
Dimensions and weight

Gas pressure regulator		RSP 254						RSP 255		
Dimensions	Nominal width	DN 25	DN 50	DN 80	DN 100	DN 150	DN 200	DN 50	DN 80	DN 100
	A [mm]	RE 320	214	232	-	-	-	-	-	-
RE 385/390		-	-	293	308	370	510	292	370	441
A1* [mm]	R 70-10	345	365	423	438	500	640	422	500	571
	R 70-20									
	R 70-100									
B [mm]		270	282	305	315	386	400	305	311	386
L [mm]		230	230	310	350	480	600	310	410	480
L1* [mm]		500	500	585	616	598	800	586	660	710
L2* [mm]	R 70-10	480	480	502	514	462	570	501	520	542
	R 70-20									
	R 70-100									
Y [mm]		100	100	100	100	150	150	100	150	150
Weight [kg]	RE 320	13.5	15	-	-	-	-	22	-	-
	RE 385/390	-	-	28	29	58	88	-	42	58
Actuator connection	DIN EN 1092 - PN16									
	ASME B 16.5 - Class 150									

Regulator	R 70-10	R 70-20	R 70-100
C [mm]	94	94	Ø161
D [mm]	124	124	124
E [mm]	227.5	259	283.5
Weight [kg]	3.7	4.2	5.3
Regulator connection	G 1/4		

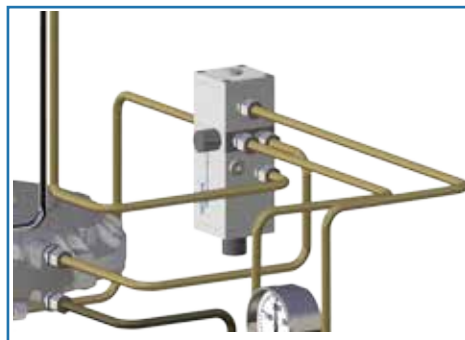
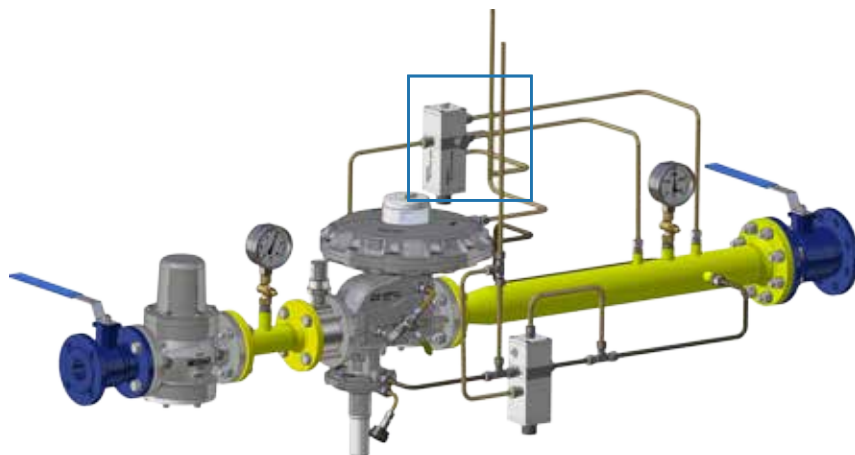
Control device	K 70-10
C [mm]	70
D [mm]	124
E [mm]	250
Weight [kg]	3.7
Control device connection	G 1/4

Reactivation of SSV

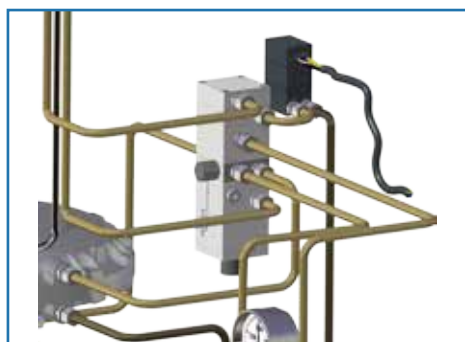


*] The dimensions given are „max.“ and depending on the control device and piping

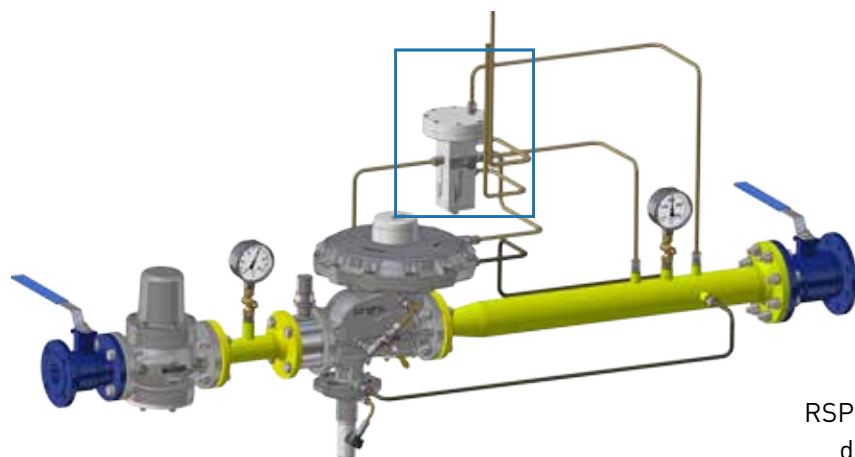
Installation situations



RSP 255 shown with actuator AS 255
incl. switching device MD or MD-R,
Regulator R 70-10 and control device K 70-10



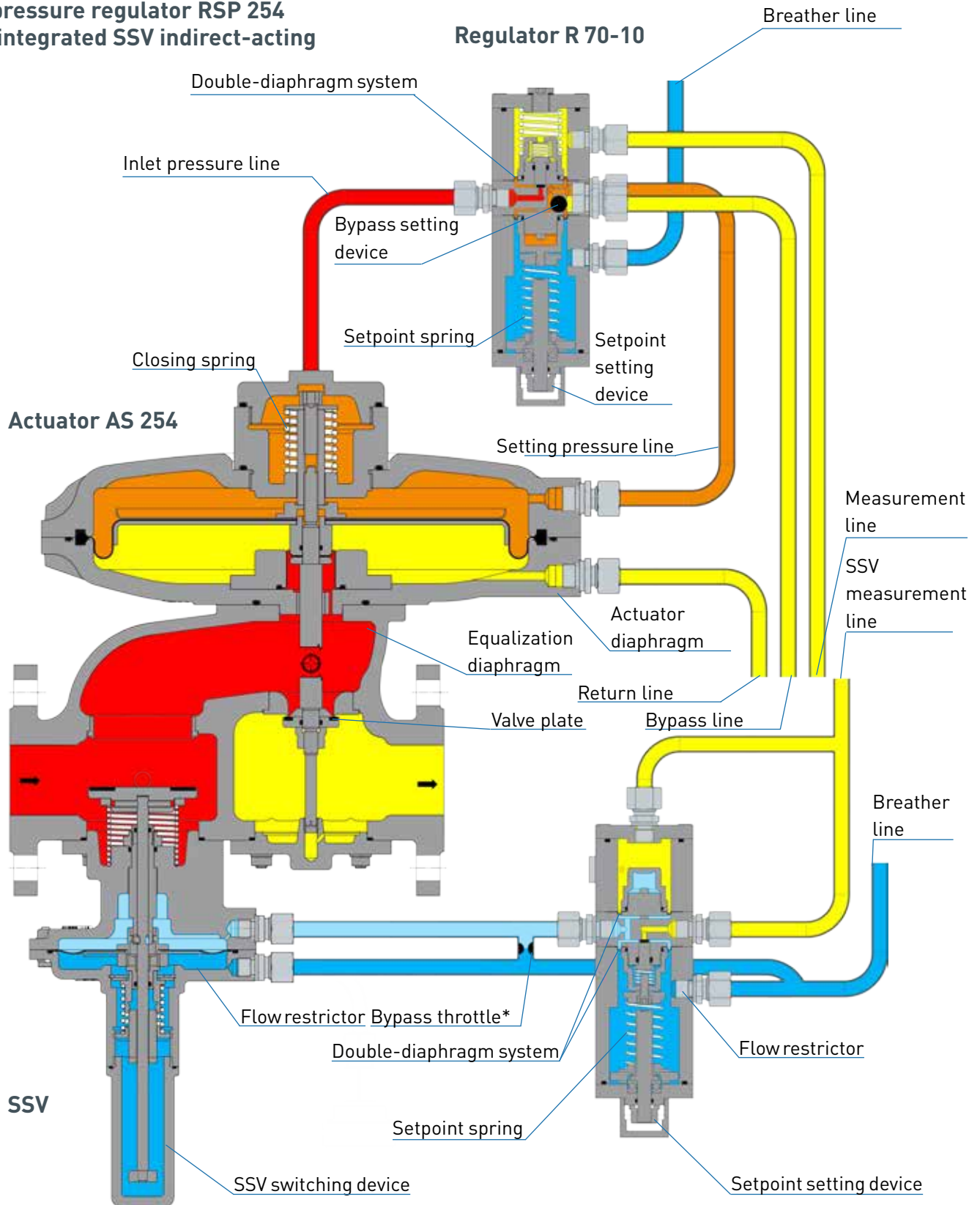
RSP 255 shown with actuator AS 255 incl. switching
device MD or MD-R, regulator R 70-20/2,
I/P converter and control device K 70-10



RSP 255 shown with actuator AS 255 incl. control
device MD or MD-R and regulator R 70-100

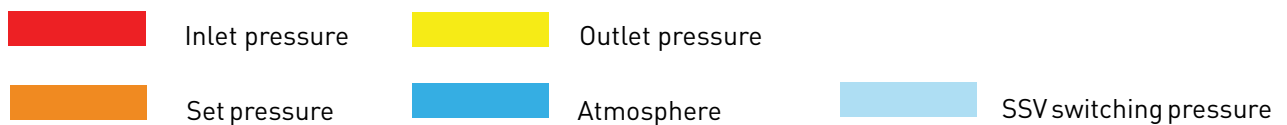
Connection example

Gas pressure regulator RSP 254 with integrated SSV indirect-acting

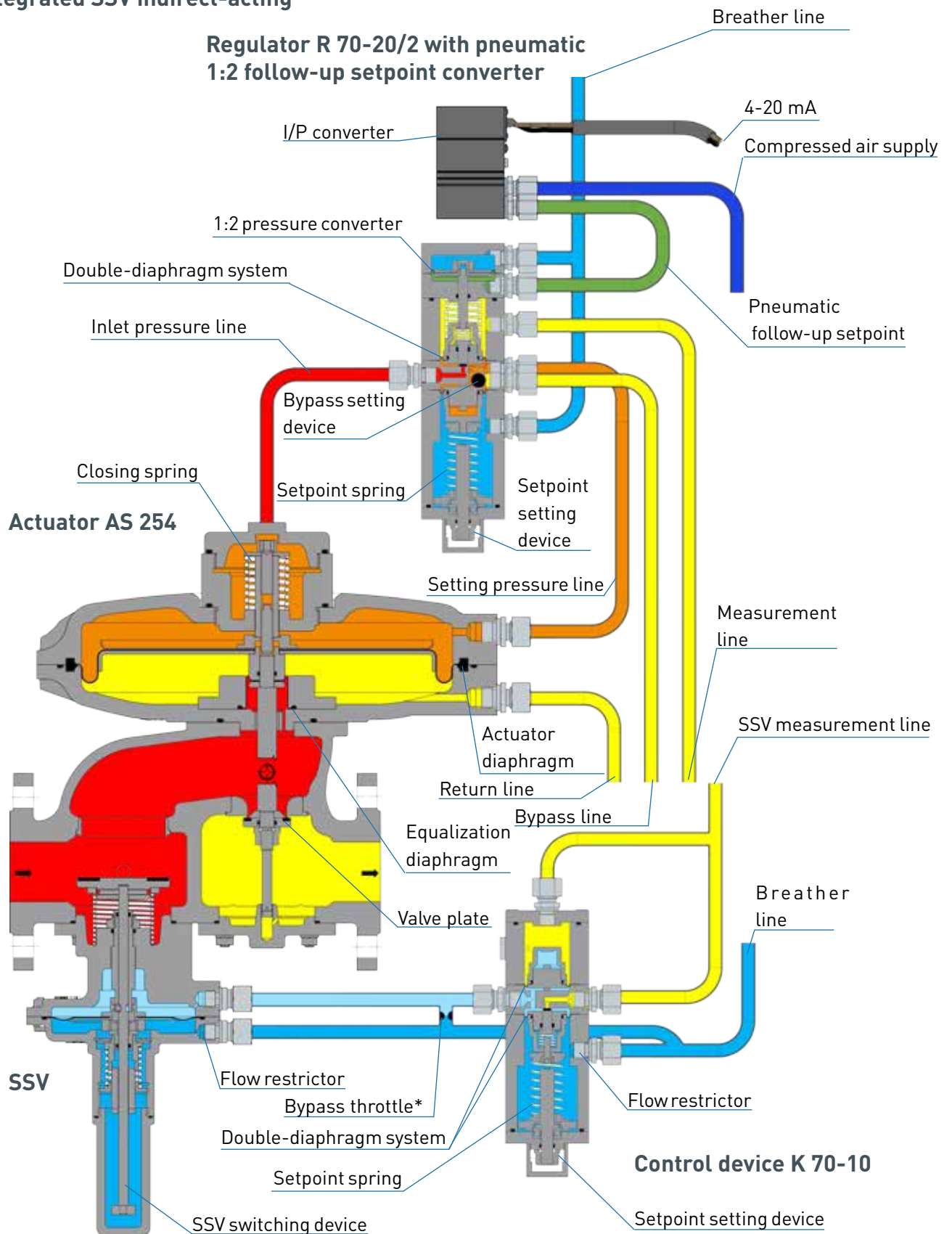


*) permanently installed bypass valve (baffle plate) \varnothing 1mm

W_{dso} greater than 4 bar with control device K 70-10



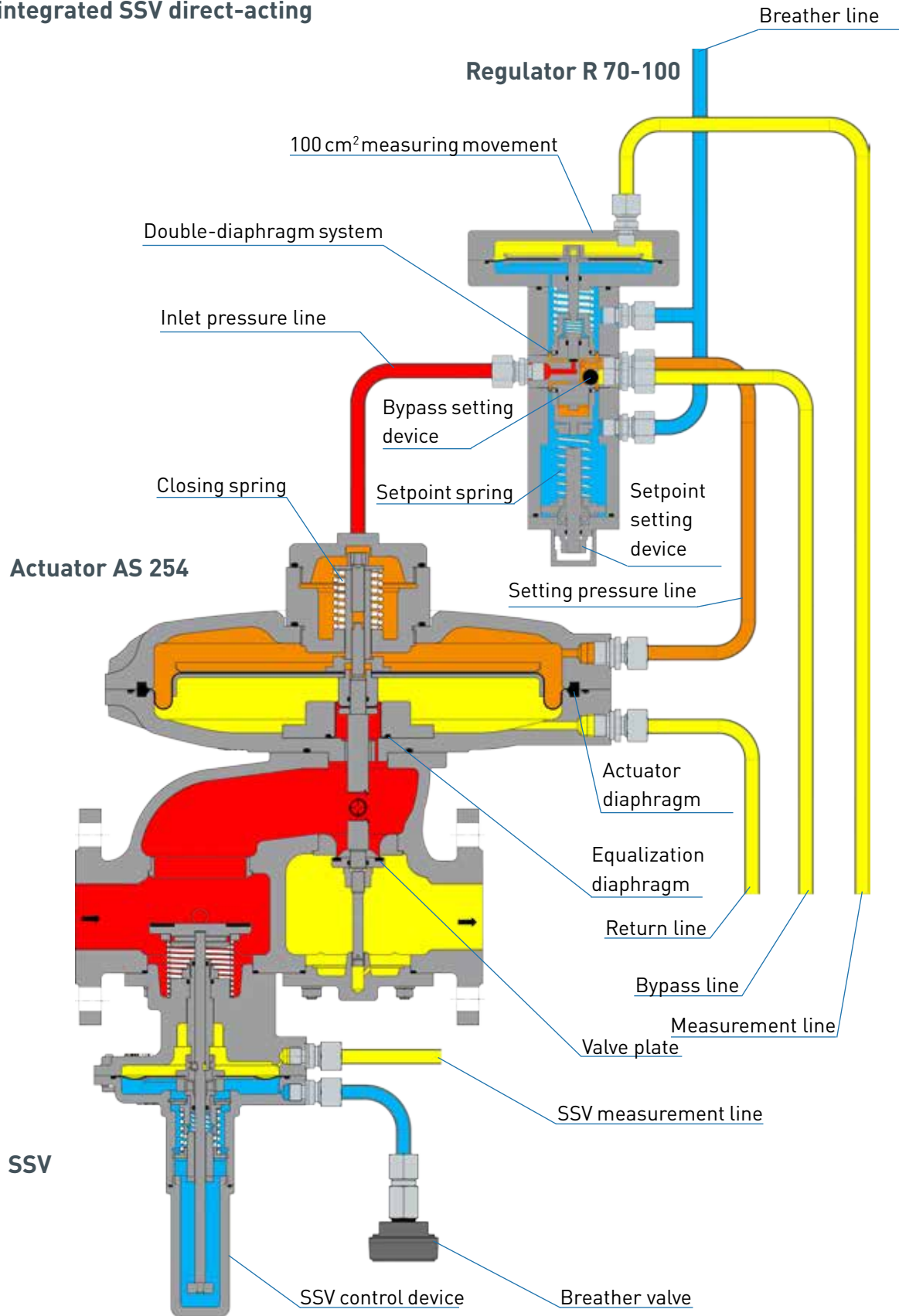
**Gas pressure regulator RSP 254
with integrated SSV indirect-acting**



*) permanently installed bypass valve (baffle plate) Ø 1mm

	Inlet pressure		Outlet pressure		Follow-up setpoint
	Setting pressure		Atmosphere		SSV switching pressure

**Gas pressure regulator RSP 254
with integrated SSV direct-acting**



- | | | | |
|--|----------------|--|-----------------|
| | Inlet pressure | | Outlet pressure |
| | Set pressure | | Atmosphere |

Order data

Example:

Actuator with gas pressure regulator: RSP 254/050/390/32,5/MD-R/left/SR/BV/N/H/R 70-10/W/WAZ/So

Order code:

Order selection		Designation	RSP 254	050	-	MD-R	-	left	SR	BV	N	H	R 70-10	W	WAZ	So
Type																
RSP 254	with integrated SSV	RSP 254	RSP 254													
RSP 255		RSP 255														
RP 254	without integrated SSV	RP 254														
RP 255		RP 255														
DN - Nominal width		Table p. 22		050												
Flange model																
PN 16		-		-												
Class 150		C														
SSV																
with control device MD		MD														
with control device MD-R		MD-R				MD-R										
with control device K 70-10 indirect-acting		K 70-10														
SSV functional class																
A incl. diaphragm rupture protection		-						-								
B		B														
Direction of flow																
Right (from left to right)		-														
Left (from right to left)		left						left								
Noise reduction																
without noise reduction		-														
with noise reduction		SR							SR							
SSV valve accessories																
without SSV valve accessories		-														
Switching valve		RSS														
Breather valve		BV								BV						
Electrical position indicator, SSV 'Closed'																
without electrical position indicator		-														
with ... , via proximity switch		N									N					
with ... , via Reed contact		R														
SSV release																
without release		-														
with manual release		H										H				
with electromagnetic remote release, when power is supplied		SG														
with electromagnetic remote release, in case of power failure		SA														
Regulator																
R 70-10 (0,5 bar bis 12bar)		R 70-10											R 70-10			
R 70-20/2 (0,1 bar bis 6bar) + P_{df} (1:2)		R 70-20/2														
R 70-100 (10 mbar - 500 mbar)		R 70-100														
I/P converter (follow-up setpoint adjustment)																
with I/P converter		W													W	
without I/P converter		-														
without acceptance test certificate		-														
with acceptance test certificate		WAZ													WAZ	
Special model		So*														So

DN - Nominal width

Regulator type	025	050	080	100	150	200
RSP 254	X	X	X	X	X	X
RSP 255		X	X	X		

In each selection group, only one option can be selected in each case.

*) for example coating with epoxy resin in RAL colours

Contact

If you want to know more about solutions from MEDENUS for the gas industry, please contact your local contact person or go to our internet site at www.medenus.de

Head of Sales & Marketing

Franz Feichtner

Telephone: +43 (0) 7227 / 211-17
Mobil phone: +49 (0) 151 / 51002711
E-mail: f.feichtner@medenus.de

Head of Inside Sales Team

Alexander Christiani

Telephone: +49 (0) 2761 / 82788-18
E-mail: a.christiani@medenus.de

Inside Sales Team / Administration

Anne Stracke

Telephone: +49 (0) 2761 / 82788-0
E-mail: info@medenus.de

Inside Sales Team

Maïke Schmidt

Telephone: +49 (0)2761 / 82788-11
E-mail: m.schmidt@medenus.de

Inside Sales Team

Jan Arens

Telephone: +49 (0) 2761 / 82788-20
E-Mail: j.aren@medenus.de

Distributors worldwide

Our worldwide distributors can be found on our website at <http://medenus.de/de/kontakt.html>



How to get there



MEDENUS

Gas-Druckregeltechnik GmbH

Sassmicker Hammer 40
D-57462 Olpe

Telephone: +49 (0)2761 82788-0
Fax: +49 (0)2761 82788-9
E-mail: info@medenus.de
Internet: www.medenus.de



THE MEDENUS PLUS

10 reasons for good business relations

1. Consultancy expertise and quality standards developed over decades
2. Broad and proven standard range of feedback controllers
3. Modern, fast and efficient production for series products and for individual orders
4. Customer-specific design of pressure regulators and vacuum regulators and special designs
5. Guaranteed deadline compliance with a delivery deadline guarantee
6. Fast response time in all matters
7. Sufficiently large parts storage for production and spare parts
8. Customer-specific theory & practice training courses
9. Modular design right across the entire product range to facilitate optimized handling of spare parts
10. 100% Made in Germany

In the download area of our homepage, this document is available in different languages. You can use the following QR codes and links to go directly to this document in your language.



German:

http://medenus.de/files/upload/downloads/RSP_254/Pi_RSP_254_255_de.pdf



English:

http://medenus.de/files/upload/downloads/RSP_254/Pi_RSP_254_255_en.pdf



MEDENUS Gas-Druckregeltechnik GmbH

Fon +49 (0)2761 82788-0

Fax +49 (0)2761 82788-9

Saßmicker Hammer 40 / D-57462 Olpe

info@medenus.de

www.medenus.de

EN