

Diaphragm Valve, Metal

Construction

The manually operated GEMÜ 673P9 diaphragm valve has better tightness characteristics due to its unique seal system. It has a temperature resistant plastic handwheel. Bonnet housing and internals are made all of stainless steel. An integral optical position indicator and a seal adjuster to increase service life of the diaphragm are included as standard (diaphragm size 10 - diaphragm size 50).

Features

- Suitable for inert and corrosive* liquid and gaseous media
- Chemical resistance of bonnet
- CIP / SIP / COP and autoclave capabilities
- Suitable for particulate media
- Valve body and diaphragm available in various materials and designs
- Compact design (ideal when space is at a premium)
- Stepless minimum flow regulation due to seal adjuster
- External sealing by O-rings made of silicone

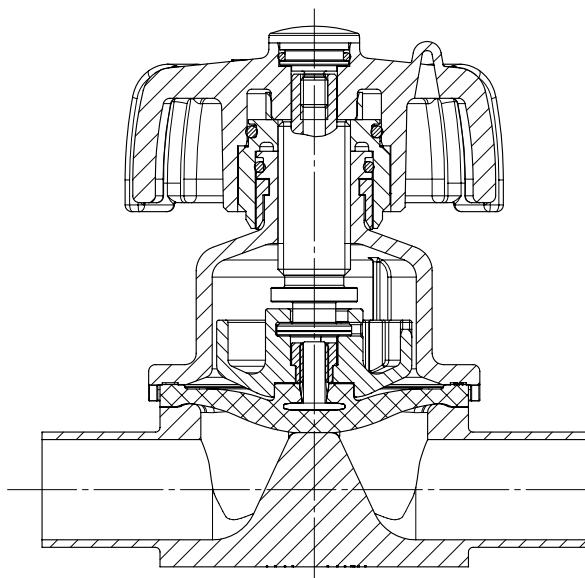
Advantages

- Hermetic separation between medium and bonnet
- Optional flow direction
- Installation for an optimized draining is possible
- Long service life of the diaphragm due to patented seal adjuster (US-Pat. 5 377 956)
- Valve body also available in multi-port designs (M-block and T-body) or as tank bottom valve body

* see information on working medium on page 2



Sectional view



Technical data

Working medium

Corrosive, inert, gaseous and liquid media which have no negative impact on the physical and chemical properties of the body and diaphragm material.

Temperatures

Medium temperature 14 to 212 °F

Sterilisation temperature ⁽¹⁾

EPDM (code 13/3A)	max. 302 °F ⁽²⁾ , max. 60 min per cycle
EPDM (code 17, 19)	max. 302 °F ⁽²⁾ , max. 180 min per cycle
PTFE/EPDM (code 54)	max. 302 °F ⁽²⁾ , no time limit per cycle
PTFE/EPDM (code 5M)	max. 302 °F ⁽²⁾ , no time limit per cycle
FPM (code 4/4A)	not applicable

¹ The sterilisation temperature is valid for steam (saturated steam) or superheated water.

² If the sterilisation temperatures listed above are applied to the EPDM diaphragms for longer periods of time, the service life of the diaphragms will be reduced. In these cases, maintenance cycles must be adapted accordingly. This also applies to PTFE diaphragms exposed to high temperature fluctuations.

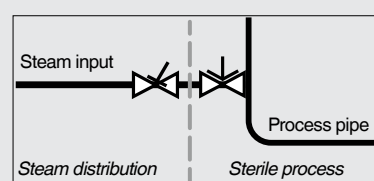
PTFE diaphragms can also be used as moisture barriers; however, this will reduce their service life.

The maintenance cycles must be adapted accordingly.

GEMÜ 555 and 505 globe valves are particularly suitable for use in the area of steam generation and distribution.

The following valve arrangement for interfaces between steam pipes and process pipes has proven itself over time:

A globe valve for shutting off steam pipes and a diaphragm valve as an interface to the process pipes.



Ambient temperature

32 to 140 °F

Operating pressure [psi]

Diaphragm size	Nominal size	EPDM / FPM		PTFE		
		Diaphragm material	All valve body materials	Diaphragm material	Forged body	Investment cast or cast iron body
8	DN 4 - 15	3A, 4A, 17, 19	0 - 150	54	0 - 150	0 - 90
10	DN 10 - 20	4, 13, 17, 19	0 - 150	54, 5M	0 - 150	0 - 90
25	DN 15 - 25	4, 13, 17, 19	0 - 150	54, 5M	0 - 150	0 - 90
40	DN 32 - 40	4, 13, 17, 19	0 - 150	54, 5M	0 - 150	0 - 90
50	DN 50 - 65	4, 13, 17, 19	0 - 150	54, 5M	0 - 150	0 - 90

All pressures are gauge pressures. Operating pressure values were determined with static operating pressure applied on one side of a closed valve. Sealing at the valve seat and atmospheric sealing is ensured for the given values. Information on operating pressures applied on both sides and for high purity media on request.

Technical data

Cv values [gpm]								
Pipe standard		DIN	EN 10357 series B (formerly DIN 11850 series 1)	EN 10357 series A (formerly DIN 11850 series 2) / DIN 11866 series A	DIN 11850 Series 3	SMS 3008	ASME BPE / DIN 11866 series C	ISO 1127 / EN 10357 series C / DIN 11866 series B
Connection code		0	16	17	18	37	59	60
MG	DN							
8	4	0.6	-	-	-	-	-	-
	6	-	-	1.3	-	-	-	1.4
	8	-	-	1.5	-	-	0.7	2.6
	10	-	2.5	2.5	2.5	-	1.5	-
	15	-	-	-	-	-	2.3	-
10	10	-	2.8	2.8	2.8	-	2.6	3.9
	15	3.9	4.4	4.4	4.4	-	2.6	4.7
	20	-	-	-	-	-	4.4	-
25	15	4.8	5.5	5.5	5.5	-	-	8.7
	20	7.4	8.2	8.2	8.2	-	5.1	15.4
	25	16.3	17.5	17.5	17.5	14.7	14.3	19
40	32	29.6	31.6	31.6	31.6	30.7	-	35.1
	40	34.3	36.2	36.2	36.2	35.3	34.5	38.4
50	50	54.4	56.6	56.6	56.6	60.5	59.2	64.6
	65	-	-	-	-	72.8	72.3	-

MG = diaphragm size

Cv values determined acc. to inlet pressure 75 psi, Δp 1 psi, stainless steel valve body (forged body) and soft elastomer diaphragm.

The Cv values for other product configurations (e.g. other diaphragm or body materials) may differ. In general, all diaphragms are subject to the influences of pressure, temperature, the process and their tightening torques. Therefore the Cv values may exceed the tolerance limits of the standard.

The Cv value curve (Cv value dependent on valve stroke) can vary depending on the diaphragm material and duration of use.

Order data

Body configuration	Code
Tank bottom valve body	B**
2/2-way body	D
T body	T*
* For dimensions see T Valves brochure	
** Dimensions and versions on request	

Nominal size		Code
DN 4		4
DN 6	NPS 1/8"	6
DN 8	NPS 1/4"	8
DN 10	NPS 3/8"	10
DN 12	G 3/8"	12
DN 15	NPS 1/2"	15
DN 20	NPS 3/4"	20
DN 25	NPS 1"	25
DN 32	NPS 1 1/4"	32
DN 40	NPS 1 1/2"	40
DN 50	NPS 2"	50
DN 65	NPS 2 1/2"	65

Connection	Code
Butt weld spigots	
Spigots DIN	0
Spigots EN 10357 series B (formerly DIN 11850 series 1)	16
Spigot EN 10357 series A (formerly DIN 11850 series 2) / DIN 11866 series A	17
Spigots DIN 11850 series 3	18
Spigots JIS-G 3447	35
Spigots JIS-G 3459	36
Spigots SMS 3008	37
Spigots BS 4825 Part 1	55
Spigot ASME BPE / DIN 11866 series C	59
Spigot ISO 1127 / EN 10357 series C / DIN 11866 series B	60
Spigots ANSI/ASME B36.19M Schedule 10s	63
Spigots ANSI/ASME B36.19M Schedule 5s	64
Spigots ANSI/ASME B36.19M Schedule 40s	65
Threaded connections	
Threaded sockets DIN ISO 228	1
Threaded spigots DIN 11851	6
Cone spigot and union nut DIN 11851	6K
Aseptic unions on request	
Flanges	
Flanges EN 1092 / PN16 / form B, length EN 558, series 1, ISO 5752, basic series 1	8
Flanges ANSI Class 150 RF, length MSS SP-88	38
Flanges ANSI Class 125/150 RF, length EN 558, series 1, ISO 5752, basic series 1	39
Clamp connections	
Clamps ASME BPE for pipe ASME BPE, length ASME BPE	80
Clamps DIN 32676 series B for pipe EN ISO 1127, length EN 558, series 7	82
Clamps ASME BPE for pipe ASME BPE, length EN 558, series 7	88
Clamps DIN 32676 series A for pipe DIN 11850, length EN 558, series 7	8A
Clamps SMS 3017 for pipe SMS 3008, length EN 558, series 7	8E
Clamps DIN 32676 series C, length FTF ASME BPE	8P
Clamps DIN 32676 series C, length FTF EN 558 series 7	8T
Aseptic clamps on request	
For overview of available valve bodies see page 14	

Order data

Valve body material	Code
EN-GJS-400-18-LT (SG iron 40.3) PFA lined	17
EN-GJS-400-18-LT (SG iron 40.3) PP lined	18
1.4435, investment casting	C3
1.4408, investment casting	37
1.4435 (316L), forged body	40
1.4435 (BN2), forged body Δ Fe<0.5%	42
1.4539, forged body	F4

Diaphragm material	Code
FPM	4 4A*
EPDM	13 3A*
EPDM	17 17*
EPDM	19
EPDM	36
PTFE/EPDM, one-piece	54*
PTFE/EPDM, two-piece	5M**

* for diaphragm size 8

** Code 5M available from diaphragm size 10

Material complies with FDA requirements, except codes 4 and 4A

Control function	Code
Manually operated	0

Bonnet version	Code
With seal adjuster, black handwheel diaphragm size 8	0P9
With seal adjuster, black handwheel diaphragm size 10	1P9
With seal adjuster, black handwheel diaphragm size 25	2P9
With seal adjuster, black handwheel diaphragm size 40	3P9
With seal adjuster, black handwheel diaphragm size 50	4P9

Order data

Internal surface finishes for forged and block material bodies ¹

Readings for Process Contact Surfaces	Mechanically polished ²		Electropolished	
	Hygienic class DIN 11866	Code	Hygienic class DIN 11866	Code
Ra ≤ 0,80 µm	H3	1502	HE3	1503
Ra ≤ 0,60 µm	-	1507	-	1508
Ra ≤ 0,40 µm	H4	1536	HE4	1537
Ra ≤ 0,25 µm ³	H5	1527	HE5	1516

Readings for Process Contact Surfaces acc. to ASME BPE 2016 ⁴	Mechanically polished ²		Electropolished	
	ASME BPE Surface Designation	Code	ASME BPE Surface Designation	Code
Ra Max. = 0,76 µm (30 µinch)	SF3	SF3	-	-
Ra Max. = 0,64 µm (25 µinch)	SF2	SF2	SF6	SF6
Ra Max. = 0,51 µm (20 µinch)	SF1	SF1	SF5	SF5
Ra Max. = 0,38 µm (15 µinch)	-	-	SF4	SF4

Internal surface finishes for investment cast bodies

Readings for Process Contact Surfaces	Mechanically polished ²	
	Hygienic class DIN 11866	Code
Ra ≤ 6,30 µm	-	1500
Ra ≤ 0,80 µm	H3	1502
Ra ≤ 0,60 µm ⁵	-	1507

¹ Surface finishes of customized valve bodies may be limited in special cases.

² Or any other finishing method that meets the Ra value (acc. to ASME BPE).

³ The smallest possible Ra finish for 1/4" (DN 8) BS 4825 Part 1 and ASME BPE is 15 µinch.

⁴ When using these surfaces, the bodies are marked according to the specifications of ASME BPE.

The surfaces are only available for valve bodies which are made of materials (e.g. GEMÜ material codes 40, 41, F4, 44) and use connections (e.g. GEMÜ connection codes 59, 80, 88) according to ASME BPE.

⁵ Not possible for GEMÜ connection code 59, DN 8 and GEMÜ connection code 0, DN 4.

Ra acc. to DIN EN ISO 4288 and ASME B46.1

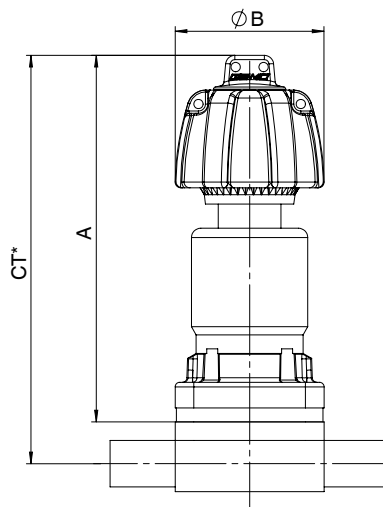
Order example	673	8	D	60	40	17	0	0P9	1537
Type	673								
Nominal size		8							
Body configuration (code)			D						
Connection (code)				60					
Valve body material (code)					40				
Diaphragm material (code)						17			
Control function (code)							0		
Bonnet version (code)								0P9	
Surface finish (code)									1537

Dimensions [inch]

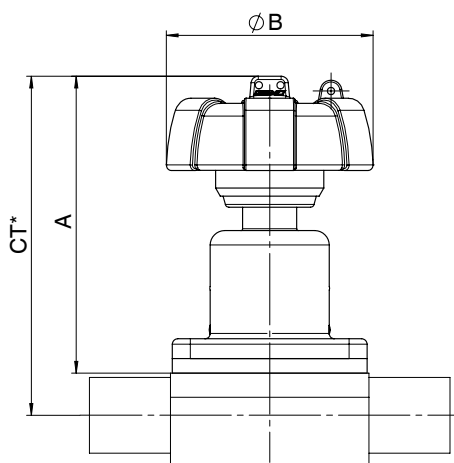
Bonnet dimensions

Diaphragm size	A	Ø B	Weight [lbs]
8	3.15	1.26	0.4
10	3.27	2.36	0.7
25	3.70	3.54	1.3
40	4.76	4.49	2.8
50	5.16	5.51	4.4

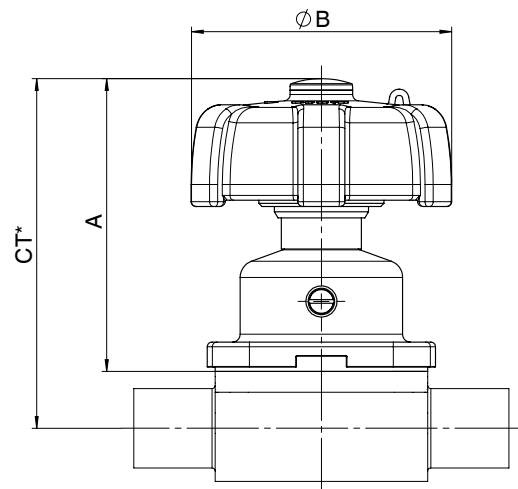
Diaphragm size 8



Diaphragm size 10



Diaphragm size 25 - 50



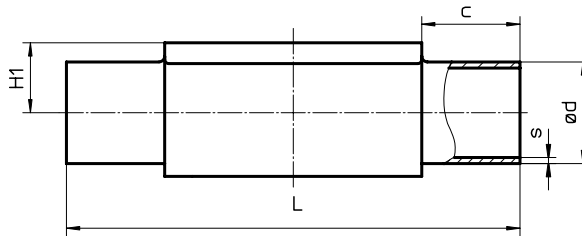
* CT = A + H1 (see body dimensions)

Body dimensions [inch]

Butt weld spigots, connection code 0, 16, 17, 18
Valve body material: Investment casting (code C3), forged body (code 40, F4)

Pipe standard							DIN		EN 10357 series B (formerly DIN 11850 series 1)		EN 10357 series A (formerly DIN 11850 series 2) / DIN 11866 series A		DIN 11850 Series 3		Weight [lbs]
Connection code							0		16		17		18		
MG	DN	NPS	L	c	H1*	H1**	ød	s	ød	s	ød	s	ød	s	
8	4	-	2.83	0.79	0.33		0.236	0.039	-	-	-	-	-	-	0.2
	6	-	2.83	0.79	0.33		-	-	-	-	0.315	0.039	-	-	0.2
	8	1/4"	2.83	0.79	0.33		-	-	-	-	0.394	0.039	-	-	0.2
	10	3/8"	2.83	0.79	0.33		-	-	0.472	0.039	0.512	0.059	0.551	0.079	0.2
10	10	3/8"	4.25	0.98	0.49		-	-	0.472	0.039	0.512	0.059	0.551	0.079	0.7
	15	1/2"	4.25	0.98	0.49		0.709	0.059	0.709	0.039	0.748	0.059	0.787	0.079	0.7
25	15	1/2"	4.72	0.98	0.51	0.75	0.709	0.059	0.709	0.039	0.748	0.059	0.787	0.079	1.4
	20	3/4"	4.72	0.98	0.63	0.75	0.866	0.059	0.866	0.039	0.906	0.059	0.945	0.079	1.3
	25	1"	4.72	0.98	0.75	0.75	1.102	0.059	1.102	0.039	1.142	0.059	1.181	0.079	1.2
40	32	1 1/4"	6.02	0.98	0.94	1.02	1.339	0.059	1.339	0.039	1.378	0.059	1.417	0.079	3.2
	40	1 1/2"	6.02	0.98	1.02	1.02	1.575	0.059	1.575	0.039	1.614	0.059	1.654	0.079	2.9
50	50	2"	6.81	1.18	1.26	1.26	2.047	0.059	2.047	0.039	2.087	0.059	2.126	0.079	5.0

* only for investment cast design ** only for forged design MG = diaphragm size
 For materials see overview on page 13



Body dimensions [inch]

Butt weld spigots, connection code 60
Valve body material: Investment casting (code C3), forged body (code 40, F4)

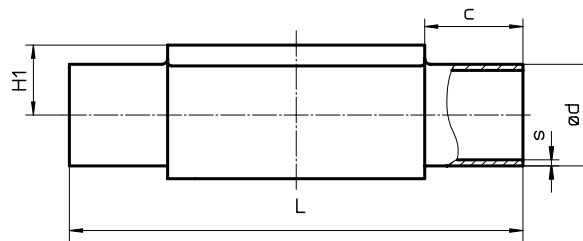
Pipe standard							ISO 1127 / EN 10357 series C / DIN 11866 series B		Weight [lbs]
Connection code							60		
MG	DN	NPS	L	c	H1*	H1**	ød	s	
8	6	-	2.83	0.79	-	0.33	0.402	0.063	0.2
	8	1/4"	2.83	0.79	0.33	0.33	0.531	0.063	0.2
	10	3/8"	2.83	0.79	-	0.33	-	-	0.2
10	10	3/8"	4.25	0.98	0.49	0.49	0.677	0.063	0.7
	15	1/2"	4.25	0.98	0.49	0.49	0.839	0.063	0.7
25	15	1/2"	4.72	0.98	0.51	0.75	0.839	0.063	1.4
	20	3/4"	4.72	0.98	0.63	0.75	1.059	0.063	1.3
	25	1"	4.72	0.98	0.75	0.75	1.327	0.079	1.2
40	32	1 1/4"	6.02	0.98	0.94	1.02	1.669	0.079	3.2
	40	1 1/2"	6.02	0.98	1.02	1.02	1.902	0.079	2.9
50	50	2"	6.81	1.18	1.26	1.26	2.374	0.079	5.0

* only for investment cast design

** only for forged design

MG = diaphragm size

For materials see overview on page 13



Body dimensions [inch]

Butt weld spigots, connection code 35, 36, 37 Valve body material: Investment casting (code C3), forged body (code 40, F4)

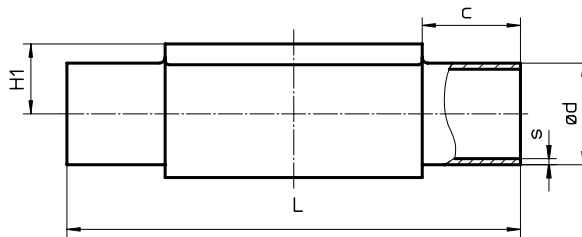
Pipe standard							JIS-G 3447		JIS-G 3459		SMS 3008		Weight [lbs]
Connection code							35		36		37		
MG	DN	NPS	L	c	H1*	H1**	ød	s	ød	s	ød	s	
8	6	-	2.83	0.79	-	0.33	-	-	0.413	0.047	-	-	0.2
	8	1/4"	2.83	0.79	-	0.33	-	-	0.543	0.065	-	-	0.2
10	10	3/8"	4.25	0.98	-	0.49	-	-	0.681	0.065	-	-	0.7
	15	1/2"	4.25	0.98	-	0.49	-	-	0.854	0.083	-	-	0.7
25	15	1/2"	4.72	0.98	-	0.75	-	-	0.854	0.083	-	-	1.4
	20	3/4"	4.72	0.98	-	0.75	-	-	1.071	0.083	-	-	1.3
	25	1"	4.72	0.98	0.75	0.75	1.000	0.047	1.339	0.110	0.984	0.047	1.2
40	32	1 1/4"	6.02	0.98	-	1.02	1.252	0.047	1.681	0.110	1.327	0.047	3.2
	40	1 1/2"	6.02	0.98	1.02	1.02	1.500	0.047	1.913	0.110	1.496	0.047	2.9
50	50	2"	6.81	1.18	1.26	1.26	2.000	0.059	2.382	0.110	2.008	0.047	5.0
	65	2 1/2"	6.81	1.18	-	1.34	2.500	0.079	-	-	2.500	0.063	4.8

* only for investment cast design ** only for forged design MG = diaphragm size
For materials see overview on page 13

Butt weld spigots, connection code 55, 59, 63, 64, 65 Valve body material: Investment casting (code C3), forged body (code 40, F4)

Pipe standard							BS 4825 Part 1		ASME BPE / DIN 11866 series C		ANSI/ASME B36.19M Schedule 10s		ANSI/ASME B36.19M Schedule 5s		ANSI/ASME B36.19M Schedule 40s		Weight [kg]
Connection code							55		59		63		64		65		
MG	DN	NPS	L	c	H1*	H1**	ød	s	ød	s	ød	s	ød	s	ød	s	
8	6	-	2.83	0.79	-	0.33	-	-	-	-	0.406	0.049	-	-	0.406	0.068	0.2
	8	1/4"	2.83	0.79	0.33	0.33	0.250	1.2	0.250	0.035	0.539	0.065	-	-	0.539	0.088	0.2
	10	3/8"	2.83	0.79	0.33	0.33	0.375	1.2	0.375	0.035	-	-	-	-	-	-	0.2
	15	1/2"	2.83	0.79	0.33	0.33	0.500	1.2	0.500	0.065	-	-	-	-	-	-	0.2
10	10	3/8"	4.25	0.98	-	0.49	0.375	1.2	0.375	0.035	0.673	0.065	-	-	0.673	0.091	0.7
	15	1/2"	4.25	0.98	-	0.49	0.500	1.2	0.500	0.065	0.839	0.083	0.839	0.065	0.839	0.109	0.7
	20	3/4"	4.25	0.98	0.49	0.49	0.750	1.2	0.75	0.065	-	-	-	-	-	-	0.7
25	15	1/2"	4.72	0.98	-	0.75	-	-	-	-	0.839	0.083	0.839	0.065	0.839	0.109	1.4
	20	3/4"	4.72	0.98	0.63	0.75	0.750	1.2	0.750	0.065	1.051	0.083	1.051	0.065	1.051	0.113	1.3
	25	1"	4.72	0.98	0.75	0.75	-	-	1.000	0.065	1.315	0.109	1.315	0.065	1.315	0.133	1.2
40	32	1 1/4"	6.02	0.98	-	1.02	-	-	-	-	1.661	0.109	1.661	0.065	1.661	0.14	3.2
	40	1 1/2"	6.02	0.98	1.02	1.02	-	-	1.500	0.065	1.902	0.109	1.902	0.065	1.902	0.145	2.9
50	50	2"	6.81	1.18	1.26	1.26	-	-	2.000	0.065	2.374	0.109	2.374	0.065	2.374	0.154	5
	65	2 1/2"	6.81	1.18	-	1.34	-	-	2.500	0.065	-	-	-	-	-	-	4.6

* only for investment cast design ** only for forged design MG = diaphragm size
For materials see overview on page 14

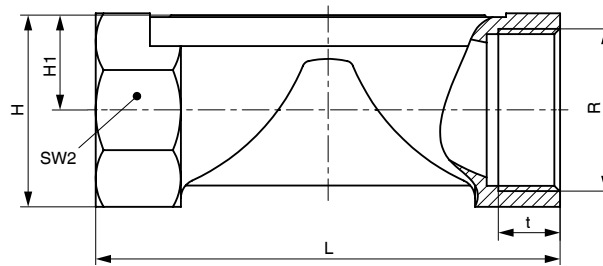


Body dimensions

Threaded sockets, connection code 1 Valve body material: Investment casting (code 37)

MG	DN	R	H [in]	H1 [in]	t [in]	L [in]	SW2 [mm]	Number of flats	Weight [lbs]
8	8	G 1/4	0.75	0.35	0.43	2.83	18	6	0.2
10	12	G 3/8	0.98	0.51	0.47	2.17	22	2	0.4
	15	G 1/2	1.18	0.59	0.59	2.68	27	2	0.6
25	15	G 1/2	1.14	0.63	0.59	3.35	27	6	0.7
	20	G 3/4	1.26	0.63	0.63	3.35	32	6	0.7
	25	G 1	1.46	0.63	0.51	4.33	41	6	0.9
40	32	G 1 1/4	1.93	0.94	0.79	4.72	50	8	1.9
	40	G 1 1/2	2.05	0.94	0.71	5.51	55	8	2.0
50	50	G 2	2.68	1.30	1.02	6.50	70	8	3.4

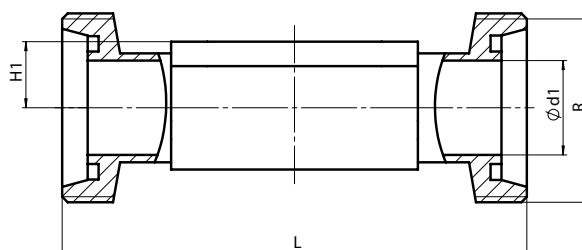
MG = diaphragm size



Threaded connections, connection code 6 Valve body material: Forged body (code 40)

MG	DN	H1	ød1	Thread to DIN 405 R	L	Weight [lbs]
8	10	0.33	0.394	RD 28 x 1/8	3.62	0.5
10	10	0.49	0.394	RD 28 x 1/8	4.65	0.7
	15	0.49	0.630	RD 34 x 1/8	4.65	0.8
25	15	0.75	0.630	RD 34 x 1/8	4.65	1.6
	20	0.75	0.787	RD 44 x 1/6	4.65	1.7
	25	0.75	1.024	RD 52 x 1/6	5.04	1.7
40	32	1.02	1.260	RD 58 x 1/6	5.79	3.7
	40	1.02	1.496	RD 65 x 1/6	6.30	3.6
50	50	1.26	1.969	RD 78 x 1/6	7.52	5.9

MG = diaphragm size

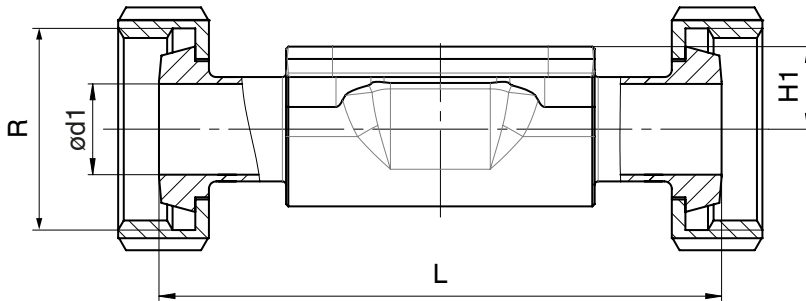


Body dimensions [mm]

Cone spigot, connection code 6K Valve body material: Forged body (code 40)

MG	DN	H1	ød1	Thread to DIN 405 R	L	Weight [lbs]
8	10	0.33	0.394	RD 28 x 1/8	3.54	0.5
10	10	0.49	0.394	RD 28 x 1/8	4.57	0.7
	15	0.49	0.630	RD 34 x 1/8	4.57	0.8
25	15	0.75	0.630	RD 34 x 1/8	4.57	1.6
	20	0.75	0.787	RD 44 x 1/6	4.49	1.7
	25	0.75	1.024	RD 52 x 1/6	5.00	1.7
40	32	1.02	1.260	RD 58 x 1/6	5.79	3.7
	40	1.02	1.496	RD 65 x 1/6	6.30	3.6
50	50	1.26	1.969	RD 78 x 1/6	7.52	5.9

MG = diaphragm size



Body dimensions [inch]

Flanges - DIN EN 1092, connection code 8 Valve body material: GGG 40.3 (code 17, 18), investment casting (code C3), forged body (code 40)

MG	DN	øD	øk	øL	Number of bolt	H1			FTF	Weight [lbs]
						Material code 17, 18	Material code C3	Material code 40		
25	15	3.74	2.56	0.55	4	0.71	0.51	0.75	5.12*	4.1
	20	4.13	2.95	0.55	4	0.81	0.63	0.75	5.91	5.2
	25	4.53	3.35	0.55	4	0.91	0.75	0.75	6.30	6.3
40	32	5.51	3.94	0.75	4	1.13	0.94	1.02	7.09	10.8
	40	5.91	4.33	0.75	4	1.30	1.02	1.02	7.87	12.5
50	50	6.5	4.92	0.75	4	1.54	1.26	1.26	9.06	16.4

*Material code C3, 40 FTF = 5.91 (no DIN length)
For materials see overview on page 13

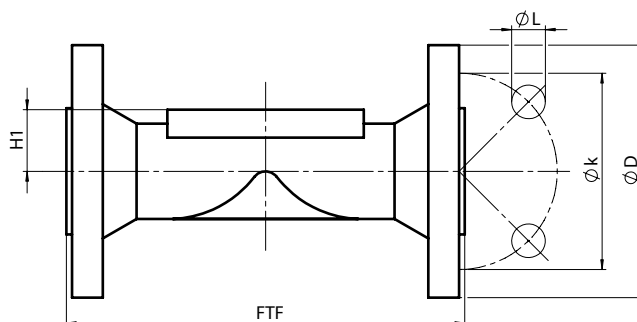
MG = diaphragm size

Flanges - ANSI Class 125/150 RF, connection code 38, 39 Valve body material: GGG 40.3 (code 17, 18), investment casting (code C3), forged body (code 40)

MG	DN	øD	øk	øL	Number of bolt	H1			FTF		Weight [lbs]
						Material code 17, 18	Material code C3	Material code 40	Connection code 38	Connection code 39	
25	15	3.54	2.37	0.63	4	0.71	0.51	0.75	-	5.12	4.1
	20	3.94	2.75	0.63	4	0.81	0.63	0.75	5.75	5.91	5.2
	25	4.33	3.13	0.63	4	0.91	0.75	0.75	5.75	6.30	6.3
40	32	4.53	3.5	0.63	4	1.13	0.94	1.02	-	7.09	10.8
	40	4.92	3.87	0.63	4	1.30	1.02	1.02	6.89	7.87	12.5
50	50	5.91	4.75	0.75	4	1.54	1.26	1.26	7.87	9.06	16.4

MG = diaphragm size

For materials see overview on page 13

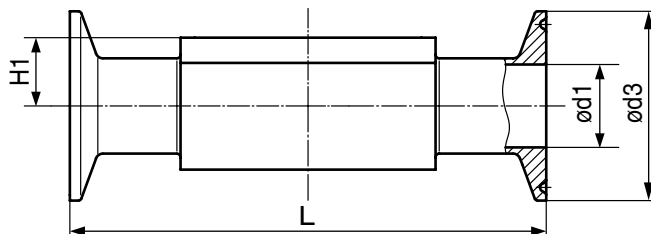


Body dimensions [inch]

Clamp connections, connection code 80, 82, 88, 8A, 8E Valve body material: Forged body (code 40, F4)

Pipe connection for clamp			ASME BPE						ISO 1127 / EN 10357 series C / DIN 11866 series B			EN 10357 series A (formerly DIN 11850 series 2) / DIN 11866 series A			SMS 3008			Weight [lbs]	
Clamp connection			Code 80, 88 - ASME BPE Code 8P, 8T - DIN 32676 series C						DIN 32676 series B			DIN 32676 series A			ISO 2852 / SMS 3017				
Clamp connection code			80, 8P			88, 8T			82			8A			8E				
MG	DN	NPS	H1	ød1	ød3	L	ød1	ød3	L	ød1	ød3	L	ød1	ød3	L	ød1	ød3		L
8	6	1/8"	0.33	-	-	-	-	-	-	0.276	0.984	2.50	0.236	0.984	2.50	-	-	-	-
	8	1/4"	0.33	0.180	0.984	2.50	-	-	-	0.406	0.984	2.50	0.315	0.984	2.50	-	-	-	0.3
	10	3/8"	0.33	0.305	0.984	2.50	-	-	-	-	-	-	0.394	1.339	3.50	-	-	-	0.4
	15	1/2"	0.33	0.370	0.984	2.50	0.370	0.984	4.25	-	-	-	-	-	-	-	-	-	0.4
10	10	3/8"	0.49	-	-	-	-	-	-	0.551	0.984	4.25	0.394	1.339	4.25	-	-	-	0.7
	15	1/2"	0.49	0.370	0.984	3.50	0.370	0.984	4.25	0.713	1.988	4.25	0.63	1.339	4.25	-	-	-	0.9
	20	3/4"	0.49	0.620	0.984	4.00	0.620	0.984	4.61	-	-	-	-	-	-	-	-	-	0.9
25	15	1/2"	0.75	-	-	-	-	-	-	0.713	1.988	4.25	0.63	1.339	4.25	-	-	-	1.6
	20	3/4"	0.75	0.620	0.984	4.00	0.620	0.984	4.61	0.933	1.988	4.61	0.787	1.339	4.61	-	-	-	1.6
	25	1"	0.75	0.870	1.988	4.50	0.870	1.988	5.00	1.169	1.988	5.00	1.024	1.988	5.00	0.890	1.988	5.00	1.4
40	32	1 1/4"	1.02	-	-	-	-	-	-	1.512	2.520	5.75	1.26	1.988	5.75	1.232	1.988	5.75	3.6
	40	1 1/2"	1.02	1.370	1.988	5.50	1.370	1.988	6.26	1.744	2.520	6.26	1.496	1.988	6.26	1.402	1.988	6.26	3.3
50	50	2"	1.26	1.870	2.520	6.25	1.870	2.520	7.48	2.217	3.051	7.48	1.969	2.52	7.48	1.913	2.520	7.48	5.5
	65	2 1/2"	1.34	2.370	3.051	7.63	2.370	3.051	8.50	-	-	-	-	-	-	2.374	3.051	8.50	5.1

MG = diaphragm size



Overview of valve bodies for GEMÜ 673P9

		Spigots																	
Connection code		0	16	17	18	35	36	37	55	59	60	63	64	65					
Material code		C3	40	40	C3	40	40	40	40	C3	40	40	C3	40	C3	40	40	40	40
MG	DN																		
8	4	X	X	-	-	-	-	-	-	-	-	-	-	-	-	-	-	-	-
	6	-	-	-	X	X	-	-	X	-	-	-	-	-	-	X	X	-	X
	8	-	-	-	X	X	-	-	X	-	-	X	X	X	X	X	X	-	X
	10	-	-	X	X	X	X	-	-	-	-	X	X	X	-	-	-	-	-
10	15	-	-	-	-	-	-	-	-	-	-	X	X	X	-	-	-	-	-
	10	-	-	X	X	X	X	-	X	-	-	X	-	X	X	X	X	-	X
	15	-	X	X	X	X	X	-	X	-	-	X	-	X	X	X	X	X	X
25	20	-	X	X	X	X	X	-	X	-	-	X	X	X	X	X	X	X	X
	25	-	X	X	X	X	X	X	X	X	X	-	X	X	X	X	X	X	X
	32	-	X	X	X	X	X	X	X	X	X	-	X	X	X	X	X	X	X
40	40	-	X	X	X	X	X	X	X	X	X	-	X	X	X	X	X	X	X
	50	-	X	X	X	X	X	X	X	X	X	-	X	X	X	X	X	X	X
50	50	-	X	X	X	X	X	X	X	X	X	-	X	X	X	X	X	X	X
	65	-	-	-	-	-	-	-	X	-	-	X	-	-	X	-	-	-	-

Availability of material code 42, F4: same as code 40 MG = diaphragm size

		Threaded connections			Clamps					Flanges									
Connection code		1	6	6K	80, 8P	82	88, 8T	8A	8E	8				38		39			
Material code		37	40	40	40	40	40	40	40	17	18	C3	40	17	18	17	18	C3	40
MG	DN																		
8	6	-	-	-	-	K	-	K	-	-	-	-	-	-	-	-	-	-	-
	8	X	-	-	K	K	-	K	-	-	-	-	-	-	-	-	-	-	-
	10	-	W	W	K	-	-	W	-	-	-	-	-	-	-	-	-	-	-
	15	-	-	-	K	-	W	-	-	-	-	-	-	-	-	-	-	-	-
10	10	-	W	W	-	K	-	K	-	-	-	-	-	-	-	-	-	-	-
	12	X	-	-	-	-	-	-	-	-	-	-	-	-	-	-	-	-	-
	15	X	W	W	K	W	K	K	-	-	-	-	-	-	-	-	-	-	-
	20	-	-	-	K	-	K	-	-	-	-	-	-	-	-	-	-	-	-
25	15	X	W	W	-	W	-	K	-	X	X	W	W	-	-	X	X	W	W
	20	X	W	W	K	K	K	K	-	X	X	W	W	X	X	X	X	W	W
	25	X	W	W	K	K	K	K	K	X	X	W	W	X	X	X	X	W	W
40	32	X	W	W	-	W	-	K	K	X	X	W	W	-	-	X	X	W	W
	40	X	W	W	K	W	K	K	K	X	X	W	W	X	X	X	X	W	W
50	50	X	W	W	K	W	K	K	K	X	X	W	W	X	X	X	X	W	W
	65	-	-	-	W	-	W	-	W	-	-	-	-	-	-	-	-	-	-

X = Standard, K = Connections completely machined (not welded), W = Welded construction

Availability of material code 42, F4: same as code 40 MG = diaphragm size

For further metal diaphragm valves, accessories and other products, please see our Product Range catalogue and Price List.
Contact GEMÜ.