

# GEMÜ 656

## Pneumatically operated full bore diaphragm valve



### Features

- High mechanical stability
- High flow rate due to straight through flow
- Valve can be cleaned without disassembly of actuator

---

### Description

The GEMÜ 656 2/2-way diaphragm valve has a low maintenance metal membrane actuator and is pneumatically operated. Normally Closed (NC), Normally Open (NO) and Double Acting (DA) control functions are available. The valve body has a full bore design.

### Technical specifications

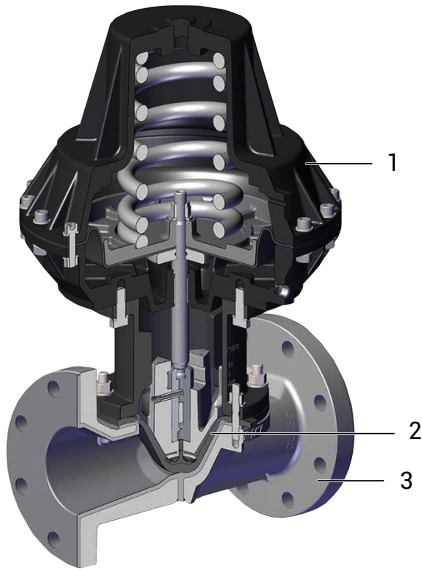
- **Media temperature:** 0 to 100 °C
- **Ambient temperature:** 0 to 60 °C
- **Operating pressure:** 0 to 7 bar
- **Nominal sizes:** DN 25 to 250
- **Body configurations:** 2/2-way body
- **Connection types:** Flange
- **Connection standards:** ANSI | EN | ISO
- **Body materials:** EN-GJL-250, cast iron material | EN-GJS-400-18-LT, SG iron material | EN-GJS-500-7, ductile iron material
- **Body lining:** Butyl | Hard rubber | Soft rubber
- **Diaphragm materials:** CR | EPDM | IIR | NBR | NR
- **Conformities:** EAC

Technical data depends on the respective configuration



## Product description

### Construction



Item	Name	Materials
1	Actuator	Cast iron
2	Diaphragm	CR EPDM IIR NBR NR
3	Valve body	EN-GJL-250 (GG 25) EN-GJL-250 (GG 25), soft rubber lined EN-GJL-250 (GG 25), hard rubber lined EN-GJL-250 (GG 25), butyl lined EN-GJS-400-18-LT (GGG 40.3), soft rubber lined EN-GJS-400-18-LT (GGG 40.3), hard rubber lined EN-GJS-400-18-LT (GGG 40.3), butyl lined EN-GJS-500-7 (GGG 50), soft rubber lined EN-GJS-500-7 (GGG 50), hard rubber lined EN-GJS-500-7 (GGG 50), butyl lined

## Availability

### Flange EN 1092

MG	DN	Connection type code <sup>1)</sup>																
		4			8			52				53						
		Material code <sup>2)</sup>																
		82	83	88	82	83	88	8	13	16	52	58	92	98	8	16	92	98
40	25	-	-	-	X	X	X	-	-	-	-	-	-	-	X	X	X	X
	40	-	-	-	X	X	X	-	-	-	-	-	-	-	X	X	X	X
65	50	-	-	-	X	X	X	-	-	-	-	-	-	-	X	X	X	X
	65	-	-	-	X	X	X	-	-	-	-	-	-	-	X	X	X	X
100	80	-	-	-	X	X	X	-	-	-	-	-	-	-	X	X	X	X
	100	-	-	-	X	X	X	-	-	-	-	-	-	-	X	X	X	X
150	125	-	-	-	X	X	X	-	-	-	-	-	-	-	X	X	X	X
	150	-	-	-	X	X	X	-	-	-	-	-	-	-	X	X	X	X
200	200	X	X	X	-	-	-	X	-	X	-	-	X	X	-	-	-	-
250	250	-	-	-	-	-	-	X *	X *	-	X *	X *	-	-	-	-	-	-

MG = diaphragm size, X = standard

\* on request

#### 1) Connection type

Code 4: Flange EN 1092, PN 10, form B, face-to-face dimension FTF EN 558 series 1, ISO 5752, basic series 1

Code 8: Flange EN 1092, PN 16, form B, face-to-face dimension FTF EN 558 series 1, ISO 5752, basic series 1

Code 52: Flange EN 1092, PN 10, form A, face-to-face dimension FTF EN 558 series 7, ISO 5752, basic series 7

Code 53: Flange EN 1092, PN 16, form A, face-to-face dimension FTF EN 558 series 7, ISO 5752, basic series 7

#### 2) Valve body material

Code 8: EN-GJL-250 (GG 25)

Code 13: EN-GJL-250 (GG 25), hard rubber lined

Code 16: EN-GJS-500-7 (GGG-50), hard rubber lined

Code 52: EN-GJL-250 (GG 25), soft rubber lined

Code 58: EN-GJL-250 (GG 25), butyl lined

Code 82: EN-GJS-400-18-LT (GGG 40.3), soft rubber lined

Code 83: EN-GJS-400-18-LT (GGG 40.3), hard rubber lined

Code 88: EN-GJS-400-18-LT (GGG 40.3), butyl lined

Code 92: EN-GJS-500-7 (GGG 50), soft rubber lined

Code 98: EN-GJS-500-7 (GGG 50), butyl lined

**Flange ANSI Class 125/150**

MG	DN	Connection type code <sup>1)</sup>									
		39					58				
		Material code <sup>2)</sup>									
		82	83	88	8	13	16	52	58	92	98
40	25	X	X	X	X	-	X	-	-	X	X
	40	X	X	X	X	-	X	-	-	X	X
65	50	X	X	X	X	-	X	-	-	X	X
	65	X	X	X	X	-	X	-	-	X	X
100	80	X	X	X	X	-	X	-	-	X	X
	100	X	X	X	X	-	X	-	-	X	X
150	125	X	X	X	X	-	X	-	-	X	X
	150	X	X	X	X	-	X	-	-	X	X
200	200	X	X	X	X	-	X	-	-	X	X
250	250	-	-	-	X *	X *	-	X *	X *	-	-

MG = diaphragm size, X = standard

\* on request

1) **Connection type**

Code 39: Flange ANSI Class 125/150 RF, face-to-face dimension FTF EN 558 series 1, ISO 5752, basic series 1

Code 58: Flange ANSI Class 125/150 FF, face-to-face dimension FTF EN 558 series 7, ISO 5752, basic series 7

2) **Valve body material**

Code 8: EN-GJL-250 (GG 25)

Code 13: EN-GJL-250 (GG 25), hard rubber lined

Code 16: EN-GJS-500-7 (GGG-50), hard rubber lined

Code 52: EN-GJL-250 (GG 25), soft rubber lined

Code 58: EN-GJL-250 (GG 25), butyl lined

Code 82: EN-GJS-400-18-LT (GGG 40.3), soft rubber lined

Code 83: EN-GJS-400-18-LT (GGG 40.3), hard rubber lined

Code 88: EN-GJS-400-18-LT (GGG 40.3), butyl lined

Code 92: EN-GJS-500-7 (GGG 50), soft rubber lined

Code 98: EN-GJS-500-7 (GGG 50), butyl lined

## Order data

The order data provide an overview of standard configurations.

Please check the availability before ordering. Other configurations available on request.

## Order codes

1 Type	Code
Diaphragm valve, pneumatically operated	656

2 DN	Code
DN 25	25
DN 40	40
DN 50	50
DN 65	65
DN 80	80
DN 100	100
DN 125	125
DN 150	150
DN 200	200
DN 250	250

3 Body configuration	Code
2/2-way body	D

4 Connection type	Code
Flange EN 1092, PN 10, form B, face-to-face dimension FTF EN 558 series 1, ISO 5752, basic series 1	4
Flange EN 1092, PN 16, form B, face-to-face dimension FTF EN 558 series 1, ISO 5752, basic series 1	8
Flange ANSI Class 125/150 RF, face-to-face dimension FTF EN 558 series 1, ISO 5752, basic series 1	39
Flange EN 1092, PN 10, form A, face-to-face dimension FTF EN 558 series 7, ISO 5752, basic series 7	52
Flange EN 1092, PN 16, form A, face-to-face dimension FTF EN 558 series 7, ISO 5752, basic series 7	53
Flange ANSI Class 125/150 FF, face-to-face dimension FTF EN 558 series 7, ISO 5752, basic series 7	58

5 Valve body material	Code
<b>Cast iron material</b>	
EN-GJL-250 (GG 25)	8
EN-GJL-250 (GG 25), hard rubber lined	13
EN-GJL-250 (GG 25), soft rubber lined	52
EN-GJL-250 (GG 25), butyl lined	58
<b>SG iron material</b>	
EN-GJS-500-7 (GGG-50), hard rubber lined	16
EN-GJS-400-18-LT (GGG 40.3), soft rubber lined	82

5 Continuation of Valve body material	Code
EN-GJS-400-18-LT (GGG 40.3), hard rubber lined	83
EN-GJS-400-18-LT (GGG 40.3), butyl lined	88
EN-GJS-500-7 (GGG 50), soft rubber lined	92
EN-GJS-500-7 (GGG 50), butyl lined	98

6 Diaphragm material	Code
NBR	2
IIR	6
CR	8
EPDM	14
NR	15

7 Control function	Code
Normally Closed (NC)	1
Normally Open (NO)	2
Double Acting (DA)	3

8 Actuator version	Code
Actuator size 2R2, for DN 25 and 40	2R2
Actuator size 3R1, for DN 50 and 65	3R1
Actuator size 4R1, for DN 80 and 100	4R1
Actuator size 5R2, for DN 125 and 150	5R2
Actuator size 6R2, for DN 200 and 250	6R2
Actuator size 6R3, for DN 200 and 250	6R3
Actuator size 2RF, for DN 25 and 40	2RF
Actuator size 3RF, for DN 50 and 65	3RF
Actuator size 4RF, for DN 80 and 100	4RF
Actuator size 5RF, for DN 125 and 150	5RF
Actuator size 6RF, for DN 200 and 250	6RF
Actuator size 2RD, for DN 25 and 40	2RD
Actuator size 3RD, for DN 50 and 65	3RD
Actuator size 4RD, for DN 80 and 100	4RD
Actuator size 5RD, for DN 125 and 150	5RD
Actuator size 6RD, for DN 200 and 250	6RD

**Order example**

Ordering option	Code	Description
1 Type	656	Diaphragm valve, pneumatically operated
2 DN	50	DN 50
3 Body configuration	D	2/2-way body
4 Connection type	53	Flange EN 1092, PN 16, form A, face-to-face dimension FTF EN 558 series 7, ISO 5752, basic series 7
5 Valve body material	8	EN-GJL-250 (GG 25)
6 Diaphragm material	14	EPDM
7 Control function	1	Normally Closed (NC)
8 Actuator version	3R1	Actuator size 3R1, for DN 50 and 65

## Technical data

### Medium

<b>Working medium:</b>	Corrosive, inert, gaseous and liquid media which have no negative impact on the physical and chemical properties of the body and diaphragm material.
<b>Control medium:</b>	Inert gases

### Temperature

<b>Media temperature:</b>	0 – 100 °C
<b>Control medium temperature:</b>	0 – 40 °C
<b>Ambient temperature:</b>	0 – 60 °C
<b>Storage temperature:</b>	0 – 40 °C

**Pressure**

Operating pressure:

MG	DN	NPS	Control function	Actuator size	Operating pressure
40	25	1"	1	2R2	7.0
			2	2RF	7.0
			3	2RD	7.0
	40	1½"	1	2R2	7.0
			2	2RF	7.0
			3	2RD	7.0
65	50	2"	1	3R1	7.0
			2	3RF	7.0
			3	3RD	7.0
	65	2½"	1	3R1	7.0
			2	3RF	7.0
			3	3RD	7.0
100	80	3"	1	4R1	6.0
			2	4RF	7.0
			3	4RD	7.0
	100	4"	1	4R1	6.0
			2	4RF	7.0
			3	4RD	7.0
150	125	5"	1	5R2	4.0
			2	5RF	5.5
			3	5RD	5.5
	150	6"	1	5R2	4.0
			2	5RF	5.5
			3	5RD	5.5
200	200	8"	1	6R2	3.0
			1	6R3	3.5
			2	6RF	3.5
			3	6RD	3.5
250	250	10"	1	-	-
			2	6RF	3.5
			3	6RD	3.5

MG = diaphragm size

All pressures are gauge pressures. Operating pressure values were determined with static operating pressure applied on one side of a closed valve. Sealing at the valve seat and atmospheric sealing is ensured for the given values.

Information on operating pressures applied on both sides and for high purity media on request.

Valve not suitable for vacuum applications



**Control pressure:**

MG	DN	NPS	Control function	Actuator size	Control pressure
40	25	1"	1	2R2	3.8 – 7.0
			2	2RF	max. 3.0 <sup>1)</sup>
			3	2RD	max. 3.0 <sup>1)</sup>
	40	1½"	1	2R2	3.8 – 7.0
			2	2RF	max. 3.0 <sup>1)</sup>
			3	2RD	max. 3.0 <sup>1)</sup>
65	50	2"	1	3R1	3.0 – 7.0
			2	3RF	max. 3.0 <sup>1)</sup>
			3	3RD	max. 3.0 <sup>1)</sup>
	65	2½"	1	3R1	3.0 – 7.0
			2	3RF	max. 3.0 <sup>1)</sup>
			3	3RD	max. 3.0 <sup>1)</sup>
100	80	3"	1	4R1	5.5 – 7.0
			2	4RF	max. 3.0 <sup>1)</sup>
			3	4RD	max. 3.0 <sup>1)</sup>
	100	4"	1	4R1	5.5 – 7.0
			2	4RF	max. 3.0 <sup>1)</sup>
			3	4RD	max. 3.0 <sup>1)</sup>
150	125	5"	1	5R2	4.5 – 7.0
			2	5RF	max. 7.0 <sup>2)</sup>
			3	5RD	max. 7.0 <sup>2)</sup>
	150	6"	1	5R2	4.5 – 7.0
			2	5RF	max. 7.0 <sup>2)</sup>
			3	5RD	max. 7.0 <sup>2)</sup>
200	200	8"	1	6R2	5.5 – 7.0
			2	6RF	max. 7.0 <sup>2)</sup>
			3	6RD	max. 7.0 <sup>2)</sup>
	200	8"	1	6R3	5.5 – 7.0
			2	6RF	max. 7.0 <sup>2)</sup>
			3	6RD	max. 7.0 <sup>2)</sup>
250	250	10"	1	-	-
			2	6RF	max. 7.0 <sup>2)</sup>
			3	6RD	max. 7.0 <sup>2)</sup>

MG = diaphragm size

1) max. recommended control pressure (max. permissible control pressure is 5 bar)

2) max. recommended and permissible control pressure

**Filling volume:**

Actuator size 2R2, 2RF, 2RD	0.625 dm <sup>3</sup>
Actuator size 3R1, 3RF, 3RD	2.5 dm <sup>3</sup>
Actuator size 4R1, 4RF, 4RD	6.8 dm <sup>3</sup>
Actuator size 5R2, 5RF, 5RD	9.0 dm <sup>3</sup>
Actuator size 6R2, 6R3, 6RF, 6RD	19.0 dm <sup>3</sup>

**Kv values:**

MG	DN	NPS	Kv values
40	25	1"	35
	40	1½"	38
65	50	2"	108
	65	2½"	114
100	80	3"	284
	100	4"	298
150	125	5"	650
	150	6"	680
200	200	8"	1790
250	250	10"	2920

MG = diaphragm size, Kv values in m³/h

Kv values determined in accordance with EN 60534, inlet pressure 5 bar, Δp 1 bar, valve body material cast iron EN-GJL-250 with connection flange EN 1092 length EN 558 series 7 and soft elastomer diaphragm. The Kv values for other product configurations (e.g. other diaphragm or body materials) may differ. In general, all diaphragms are subject to the influences of pressure, temperature, the process and their tightening torques. Therefore the Kv values may exceed the tolerance limits of the standard.

The Kv value curve (Kv value dependent on valve stroke) can vary depending on the diaphragm material and duration of use.

**Product compliance**

**Pressure Equipment Directive:** 2014/68/EU

**EAC:** TR CU 010/2011

**Mechanical data**

Weight:

**Actuator**

MG	DN	Control function 1	Control function 2 and 3
20	15	2.5	2.5
	20	3.0	
40	25	5.0	5.0
	40	5.5	
65	50	23.0	23.0
	65	25.0	
100	80	48.0	48.0
	100	51.0	
150	125	90.0	90.0
	150	100.0	
200	200	164.0	164.0
250	250	179.0	180.0

MG = diaphragm size, weight in kg

**Body**

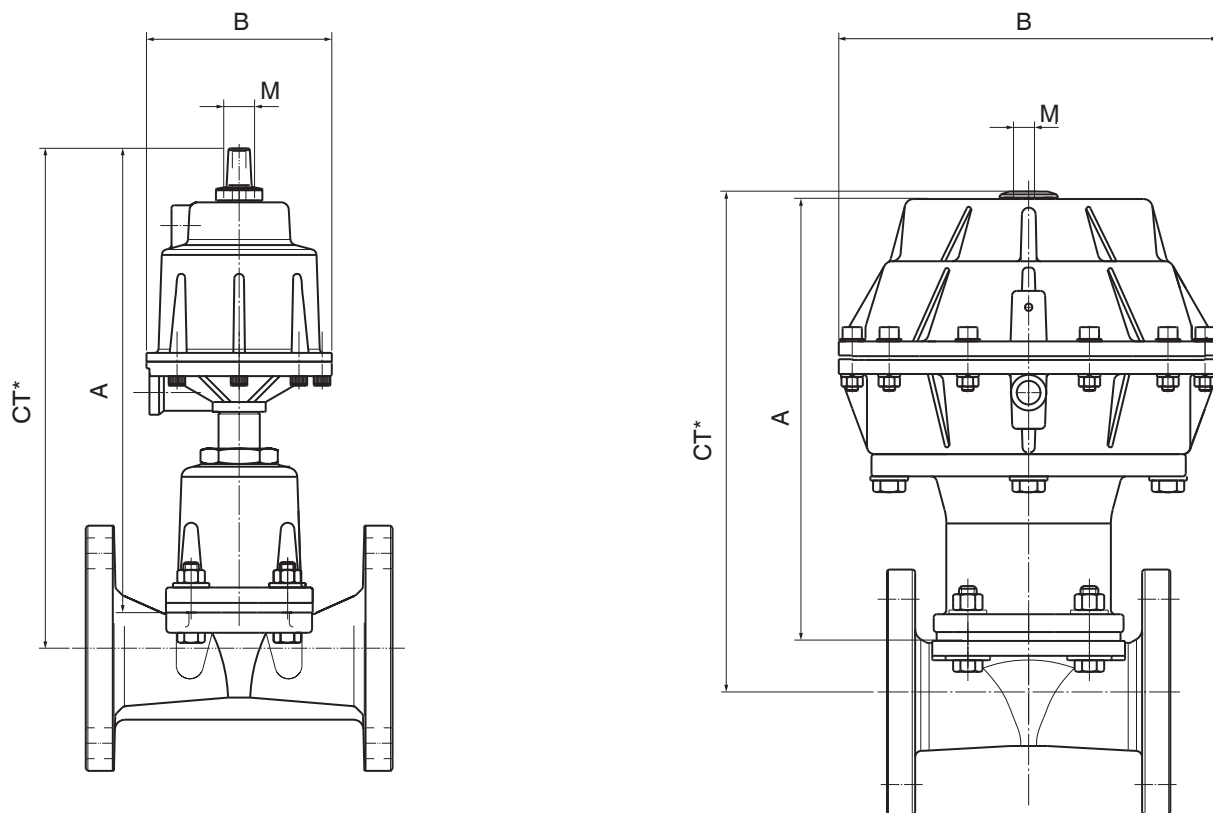
MG	DN	Weight
40	25	2.2
	40	5.4
65	50	6.3
	65	8.3
100	80	12.0
	100	17.1
150	125	28.4
	150	31.9
200	200	76.6
250	250	99.2

MG = diaphragm size, weight in kg

## Dimensions

### Actuator dimensions

#### Actuator size 2, 3



#### Actuator size 2

MG	DN	NPS	A	B	M
40	25	1"	270.5	164.0	M22x1.5
	40	1 ½"	270.5	164.0	M22x1.5

#### Actuator size 3

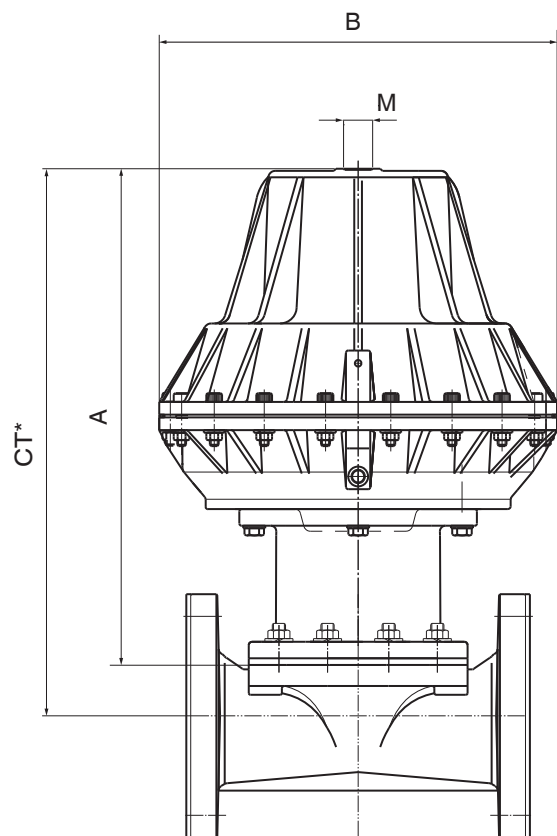
MG	DN	NPS	A		B	M
			Control function			
			1	2, 3		
65	50	2"	303.5	263.5	256.0	M22x1.5
	65	2 ½"	303.5	263.5	256.0	M22x1.5

Dimensions in mm, MG = diaphragm size

\* CT = A + H1 (see body dimensions)

G1/4 connectors are available for connecting the control air.

**Actuator size 4**



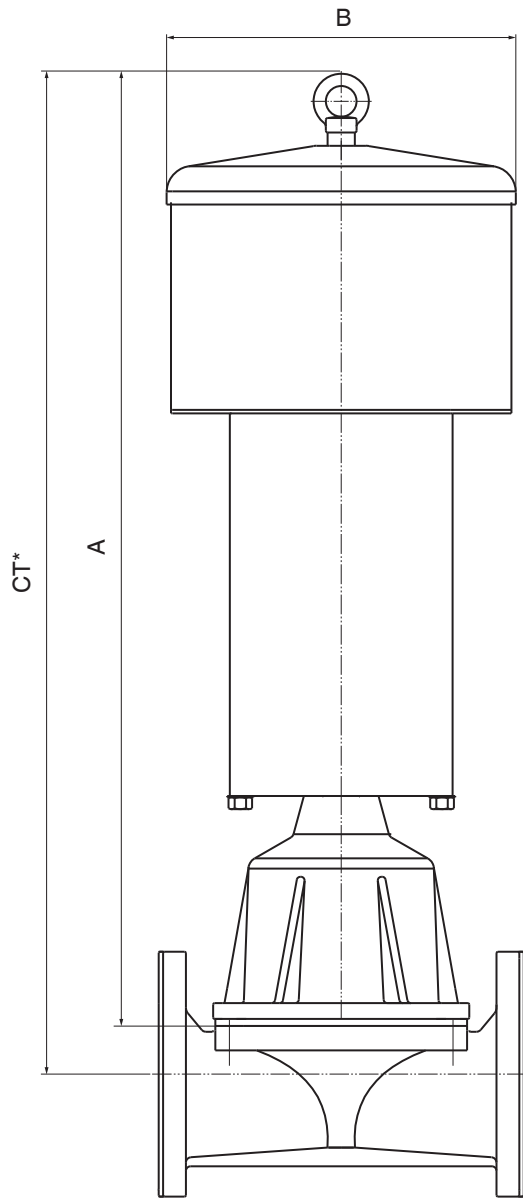
MG	DN	NPS	A		B	M	
			Control function			Control function	
			1	2, 3		1	2, 3
100	80	3"	457.5	369.5	360.0	M26x1.5	M22x1.5
	100	4"	457.5	369.5	360.0	M26x1.5	M22x1.5

Dimensions in mm, MG = diaphragm size

\* CT = A + H1 (see body dimensions)

G1/4 connectors are available for connecting the control air.

**Actuator size 5 and 6**



**Actuator size 5**

MG	DN	NPS	A		B
			Control function		
			1	2, 3	
150	125	5"	1093.5	737.0	388.0
	150	6"	1093.5	737.0	388.0

**Actuator size 6**

MG	DN	NPS	A		B
			Control function		
			1	2, 3	
200	200	8"	1278.0	907.0	440.0
250	250	10"	-	1033.0	440.0

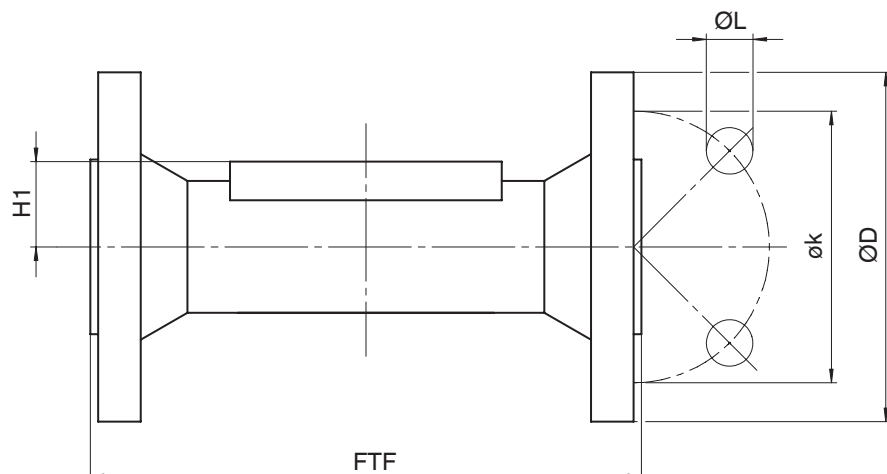
Dimensions in mm, MG = diaphragm size

\* CT = A + H1 (see body dimensions)

G1/4 connectors are available for connecting the control air.

## Body dimensions

### Flange EN (code 4)



Connection type flange, length EN 558 (code 4)<sup>1)</sup>, SG iron material (code 82, 83, 88)<sup>2)</sup>

MG	DN	NPS	øD	FTF	H1	øk	øL	n
200	200	8"	340.0	600.0	64.0	295.0	22.0	8

Dimensions in mm

MG = diaphragm size

n = number of bolts

#### 1) Connection type

Code 4: Flange EN 1092, PN 10, form B, face-to-face dimension FTF EN 558 series 1, ISO 5752, basic series 1

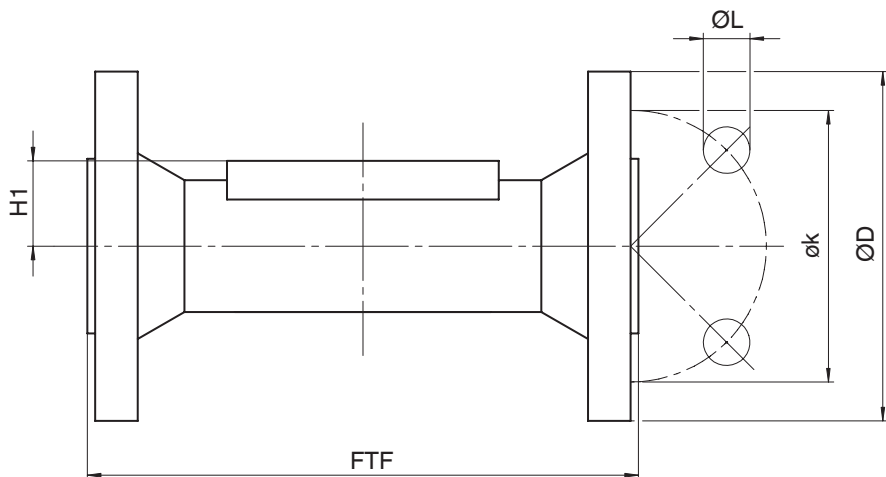
#### 2) Valve body material

Code 82: EN-GJS-400-18-LT (GGG 40.3), soft rubber lined

Code 83: EN-GJS-400-18-LT (GGG 40.3), hard rubber lined

Code 88: EN-GJS-400-18-LT (GGG 40.3), butyl lined

**Flange EN (code 8)**



Connection type flange, length EN 558 (code 8)<sup>1)</sup>, SG iron material (code 82, 83, 88)<sup>2)</sup>

MG	DN	NPS	øD	FTF	H1	øk	øL	n
40	25	1"	115.0	160.0	24.0	85.0	14.0	4
	40	1½"	150.0	200.0	24.0	110.0	18.0	4
65	50	2"	165.0	230.0	32.0	125.0	18.0	4
	65	2½"	185.0	290.0	32.0	145.0	18.0	4
100	80	3"	200.0	310.0	40.0	160.0	18.0	8
	100	4"	220.0	350.0	40.0	180.0	18.0	8
150	125	5"	250.0	400.0	55.0	210.0	18.0	8
	150	6"	285.0	480.0	55.0	240.0	22.0	8

Dimensions in mm

MG = diaphragm size

n = number of bolts

1) **Connection type**

Code 8: Flange EN 1092, PN 16, form B, face-to-face dimension FTF EN 558 series 1, ISO 5752, basic series 1

2) **Valve body material**

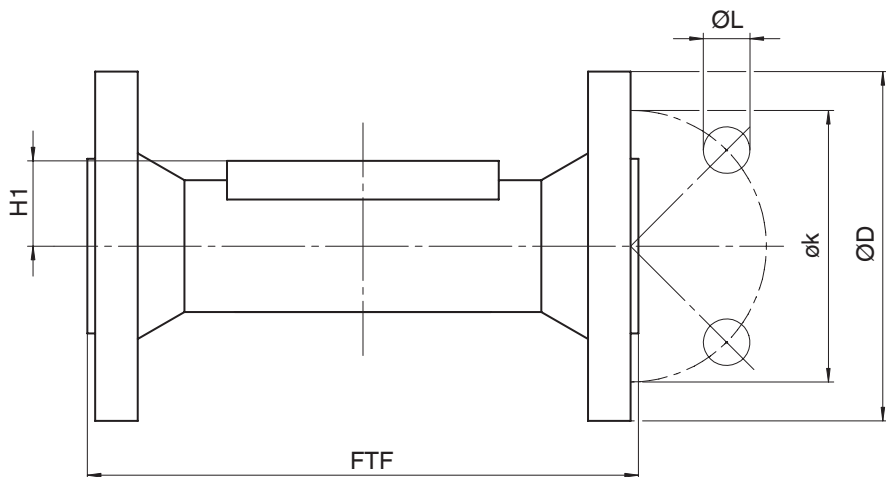
Code 82: EN-GJS-400-18-LT (GGG 40.3), soft rubber lined

Code 83: EN-GJS-400-18-LT (GGG 40.3), hard rubber lined

Code 88: EN-GJS-400-18-LT (GGG 40.3), butyl lined



**Flange EN (code 52)**



Connection type flange, length EN 558 (code 52)<sup>1)</sup>, cast iron material (code 8), SG iron material (code 16, 92, 98)<sup>2)</sup>

MG	DN	NPS	øD	FTF		H1	øk	øL	n
				Material		Material			
				8	16, 92, 98	8, 16, 92, 98			
200	200	8"	340.0	521.0	531.0	59.0	295.0	22.0	8

Connection type flange, length EN 558 (code 52)<sup>1)</sup>, cast iron material (code 8, 13, 52, 58)<sup>2)</sup>

MG	DN	NPS	øD	FTF		H1	øk	øL	n
				Material		Material			
				8	13, 52, 58	8, 13, 52, 58			
250	250	10"	400.0	635.0	647.0	78.0	350.0	22.0	12

Dimensions in mm

MG = diaphragm size

n = number of bolts

1) **Connection type**

Code 52: Flange EN 1092, PN 10, form A, face-to-face dimension FTF EN 558 series 7, ISO 5752, basic series 7

2) **Valve body material**

Code 8: EN-GJL-250 (GG 25)

Code 13: EN-GJL-250 (GG 25), hard rubber lined

Code 16: EN-GJS-500-7 (GGG-50), hard rubber lined

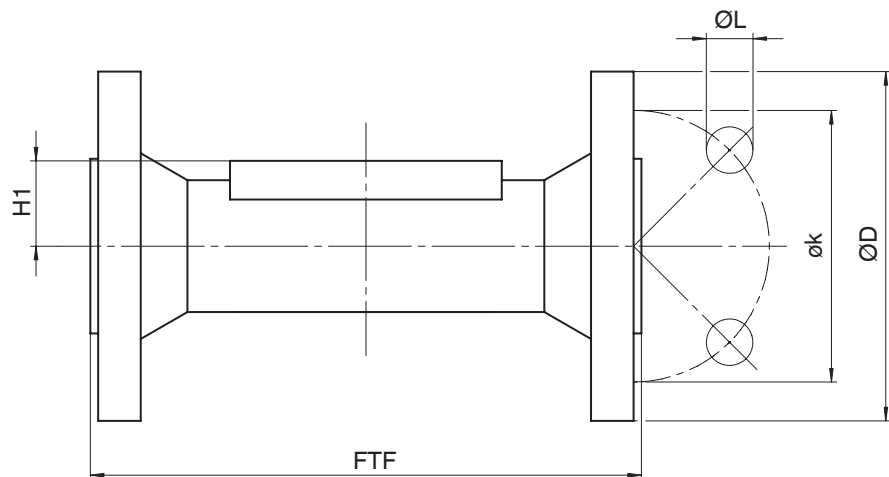
Code 52: EN-GJL-250 (GG 25), soft rubber lined

Code 58: EN-GJL-250 (GG 25), butyl lined

Code 92: EN-GJS-500-7 (GGG 50), soft rubber lined

Code 98: EN-GJS-500-7 (GGG 50), butyl lined

**Flange EN (code 53)**



Connection type flange, length EN 558 (code 53)<sup>1)</sup>, cast iron material (code 8), SG iron material (code 16, 92, 98)<sup>2)</sup>

MG	DN	NPS	øD	FTF		H1		øk	øL	n
				Material		Material				
				8	16, 92, 98	8	16, 92, 98			
40	25	1"	115.0	127.0	127.0	20.0	22.0	85.0	14.0	4
	40	1½"	150.0	159.0	159.0	18.0	24.0	110.0	18.0	4
65	50	2"	165.0	191.0	191.0	39.0	32.0	125.0	18.0	4
	65	2½"	185.0	216.0	216.0	28.0	32.0	145.0	18.0	4
100	80	3"	200.0	254.0	254.0	40.0	40.0	160.0	18.0	8
	100	4"	220.0	305.0	305.0	40.0	40.0	180.0	18.0	8
150	125	5"	250.0	356.0	366.0	50.0	55.0	210.0	18.0	8
	150	6"	285.0	406.0	416.0	52.0	55.0	240.0	22.0	8

Dimensions in mm

MG = diaphragm size

n = number of bolts

1) **Connection type**

Code 53: Flange EN 1092, PN 16, form A, face-to-face dimension FTF EN 558 series 7, ISO 5752, basic series 7

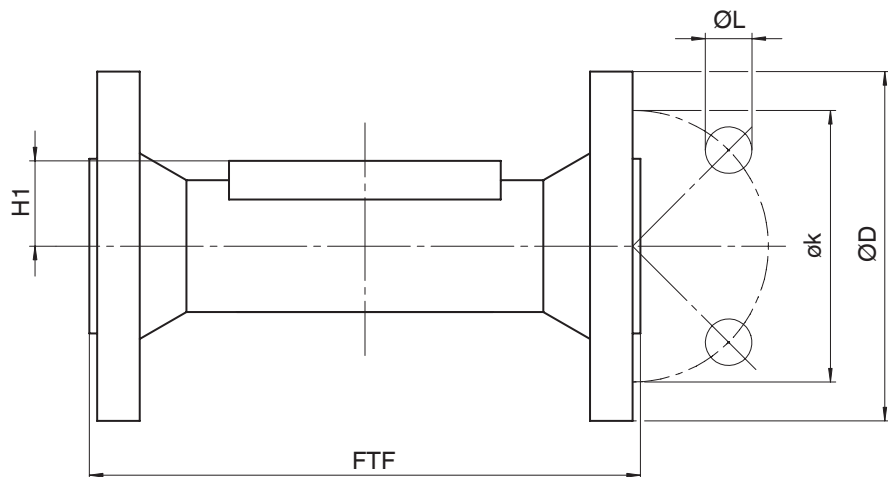
2) **Valve body material**

Code 8: EN-GJL-250 (GG 25)

Code 16: EN-GJS-500-7 (GGG-50), hard rubber lined

Code 92: EN-GJS-500-7 (GGG 50), soft rubber lined

Code 98: EN-GJS-500-7 (GGG 50), butyl lined

**Flange ANSI Class (code 39)**

Connection type flange, length EN 558 (code 39)<sup>1)</sup>, SG iron material (code 82, 83, 88)<sup>2)</sup>

MG	DN	NPS	øD	FTF	H1	øk	øL	n
40	25	1"	108.0	160.0	24.0	79.4	15.9	4
	40	1½"	127.0	200.0	24.0	98.4	15.9	4
65	50	2"	152.4	230.0	32.0	120.7	19.0	4
	65	2½"	177.8	290.0	32.0	139.7	19.0	4
100	80	3"	190.5	310.0	40.0	152.4	19.0	4
	100	4"	220,0 <sup>3)</sup>	350.0	40.0	190.5	19.0	8
150	125	5"	254.0	400.0	55.0	215.9	22.2	8
	150	6"	279.0	480.0	55.0	241.3	22.2	8
200	200	8"	342.9	600.0	64.0	298.5	22.2	8

Dimensions in mm

MG = diaphragm size

1) **Connection type**

Code 39: Flange ANSI Class 125/150 RF, face-to-face dimension FTF EN 558 series 1, ISO 5752, basic series 1

2) **Valve body material**

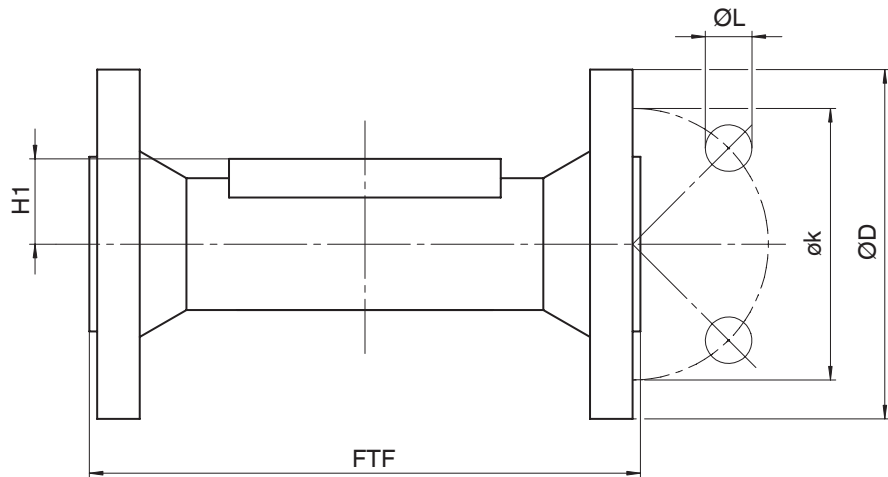
Code 82: EN-GJS-400-18-LT (GGG 40.3), soft rubber lined

Code 83: EN-GJS-400-18-LT (GGG 40.3), hard rubber lined

Code 88: EN-GJS-400-18-LT (GGG 40.3), butyl lined

3) not according to ASME standard

**Flange ANSI Class (code 58)**



Connection type flange, length EN 558 (code 58)<sup>1)</sup>, cast iron material (code 8), SG iron material (code 16, 92, 98)<sup>2)</sup>

MG	DN	NPS	øD	FTF		H1		øk	øL	n
				Material		Material				
				8	16, 92, 98	8	16, 92, 98			
40	25	1"	108.0	127.0	127.0	20.0	24.0	79.4	15.9	4
	40	1½"	127.0	159.0	159.0	18.0	24.0	98.4	15.9	4
65	50	2"	152.4	191.0	191.0	39.0	32.0	120.7	19.0	4
	65	2½"	177.8	216.0	216.0	28.0	32.0	139.7	19.0	4
100	80	3"	190.5	254.0	254.0	40.0	40.0	152.4	19.0	4
	100	4"	228.6	305.0	305.0	40.0	40.0	190.5	19.0	8
150	125	5"	254.0	356.0	366.0	50.0	55.0	215.9	22.2	8
	150	6"	279.0	406.0	416.0	52.0	55.0	241.3	22.2	8
200	200	8"	342.9	521.0	531.0	59.0	64.0	298.5	22.2	8

Connection type flange, length EN 558 (code 58)<sup>1)</sup>, cast iron material (code 8, 13, 52, 58)<sup>2)</sup>

MG	DN	NPS	øD	FTF		H1		øk	øL	n
				Material		Material				
				8	13, 52, 58	8	13, 52, 58			
250	250	10"	406.0	635.0	647.0	78.0	72.0	362.0	25.4	12

Dimensions in mm

MG = diaphragm size

n = number of bolts

1) **Connection type**

Code 58: Flange ANSI Class 125/150 FF, face-to-face dimension FTF EN 558 series 7, ISO 5752, basic series 7

2) **Valve body material**

Code 8: EN-GJL-250 (GG 25)

Code 13: EN-GJL-250 (GG 25), hard rubber lined

Code 16: EN-GJS-500-7 (GGG-50), hard rubber lined

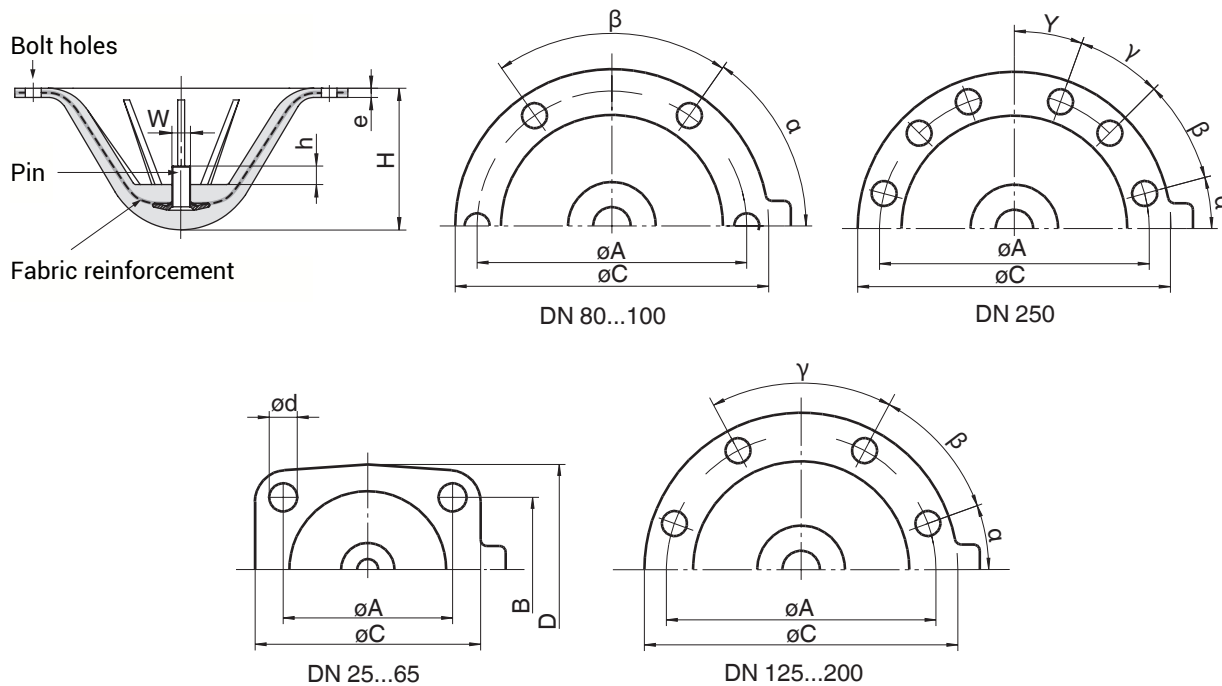
Code 52: EN-GJL-250 (GG 25), soft rubber lined

Code 58: EN-GJL-250 (GG 25), butyl lined

Code 92: EN-GJS-500-7 (GGG 50), soft rubber lined

Code 98: EN-GJS-500-7 (GGG 50), butyl lined

**Diaphragm dimensions**



MG	DN	NPS	A	B	C	D	$\varnothing d$	e	h	W	H	$\alpha$	$\beta$	$\gamma$	Y	n
40	25	1"	64.0	51.0	90.0	70.0	9.0	5.0	8.0	1/4"	36.0	-	-	-	-	4
	40	1 1/2"	64.0	51.0	90.0	70.0	9.0	5.0	8.0	1/4"	36.0	-	-	-	-	4
65	50	2"	101.0	82.0	159.0	128.0	13.5	6.0	10.0	5/16"	64.0	-	-	-	-	4
	65	2 1/2"	101.0	82.0	159.0	128.0	13.5	6.0	10.0	5/16"	64.0	-	-	-	-	4
100	80	3"	175.0	-	223.0	-	13.5	6.0	12.0	5/16"	80.0	56°	34°	-	-	6
	100	4"	175.0	-	223.0	-	13.5	6.0	12.0	5/16"	80.0	56°	34°	-	-	6
150	125	5"	255.0	-	287.0	-	13.5	8.0	16.0	5/8"	115.0	20°	40°	60°	-	8
	150	6"	255.0	-	287.0	-	13.5	8.0	16.0	5/8"	115.0	20°	40°	60°	-	8
200	200	8"	305.0	-	341.0	-	18.5	8.0	20.0	5/8"	145.0	30°	40°	40°	-	8
250	250	10"	381.0	-	410.0	-	17.0	10.0	20.0	5/8"	178.0	15°	30°	25°	20°	12

Dimensions in mm

n = number of bolts

The thread of the diaphragm pin "W" corresponds to Whitworth standard.



GEMÜ Gebr. Müller Apparatebau GmbH & Co. KG  
Fritz-Müller-Straße 6-8, 74653 Ingelfingen-Criesbach, Germany  
Phone +49 (0) 7940 1230 · info@gemue.de  
www.gemu-group.com