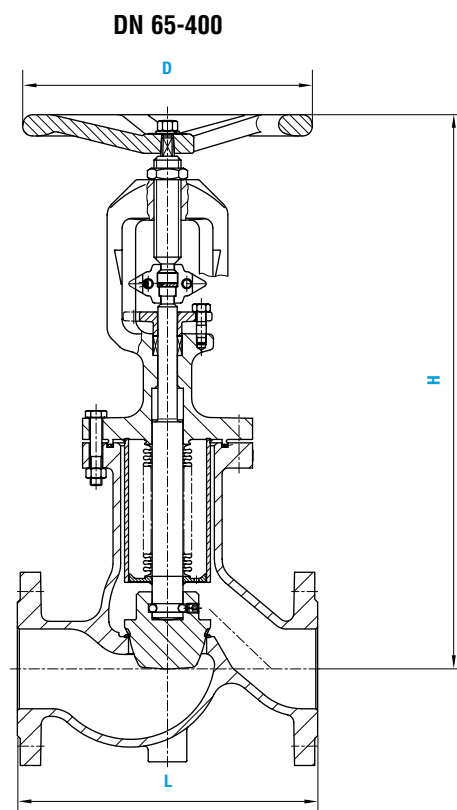
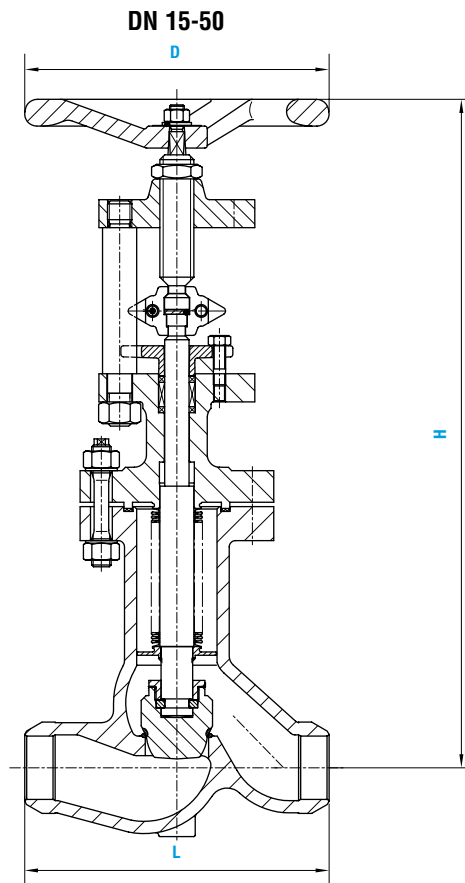


- **Globe valves** ▪ VALTRA Bellow seal globe valve ▪ 200 AL ▪ PN 10-160 ▪ DN 15-50
- **Globe valves** ▪ VALTRA Bellow seal globe valve ▪ 200 AL ▪ PN 10-40 (63-160) ▪ DN 65-400 (DN 65-200)



- **Globe valves** ▪ VALTRA Bellow seal globe valve ▪ 200 AL ▪ PN 10-160 ▪ DN 15-50
- **Globe valves** ▪ VALTRA Bellow seal globe valve ▪ 200 AL ▪ PN 10-40 (63-160) ▪ DN 65-400 (DN 65-200)

Materials				
Component	1.0619	1.4408	1.1138	
Body	1.0619	1.4408	1.1138	
welded on with	1.4370 ¹⁾	Stellite	1.4370 ¹⁾	
Bonnet	1.0619	1.4408 / 1.4571	1.1138 / 1.0566	
Disc	1.4021 ²⁾	1.4571	1.4571 / 1.0566	
welded on with	1.4021 ¹⁾	Stellite	Stellite	
Bellow seal	1.4571	1.4571	1.4571	
Gasket	1.4571 Graphite layer			
Bolt	A2-70 ³⁾	A2-70 ⁵⁾	A2-70 ⁵⁾	
Hexagonal nut	A2-70 ⁴⁾	A2-70 ⁵⁾	A2-70 ⁵⁾	
Stuffing box	Pure graphite			
Gland flange	1.4408 ⁶⁾	1.4408	1.4408	
Stem upper part	1.4122	1.4122	1.4122	
Stem lower part	1.4571	1.4571	1.4571	
Handwheel	0.6020	0.6020	0.6020	

1) ≥ PN 63 Stellite
 2) ≥ PN 63 1.4571
 3) ≥ PN 63 1.7709
 4) ≥ PN 63 1.7218
 5) ≥ PN 63 A4-70
 6) ≥ DN 65 1.0420

Dimensions/mm						
PN	DN	FL L	BW L	H/open	D	
40	15	130	130	290	150	
	20	150	130	290	150	
	25	160	130	300	150	
	32	180	160	335	175	
	40	200	180	340	175	
	50	230	210	360	200	
	65	290	290	460	200	
	80	310	310	610	250	
	100	350	350	610	300	
	125	400	400	615	300	
	150	480	480	645	400	
	200	600	600	910	400	
	250	730	730	1280	600	
	300	850	850	1285	600	
350	980	980	1675	600		
400	1100	1100	1685	600		
63	15	210	210	300	150	
	20	230	230	300	150	
	25	230	230	300	150	
	32	260	260	335	175	
	40	260	260	340	175	
	50	300	300	360	200	
	65	340	340	460	200	
	80	380	380	610	300	
	100	430	430	610	300	
	125	500	500	615	300	
	150	550	550	945	400	
	200	650	650	910	400	
	100-160	15	210	210	375	175
		20	230	230	375	175
25		230	230	375	175	
32		260	260	410	250	
40		260	260	410	250	
50		300	300	560	250	
65		340	340			
80		380	380	880	400	
100	430	430	880	400		
125	500	500	890	400		
100	150	550	550	1080	400	
	200	650	650	1045	400	
160	150	550	550	1140	400	
	200	650	650	1140	400	

Weights/kg			
PN	DN	FL	BW
40	15	7	6
	20	8	7
	25	8	7
	32	12	10
	40	14	11
	50	17	13
	65	26	18
	80	40	30
	100	56	38
	125	86	72
	150	155	130
	200	255	215
	250	393	325
	300	492	444
350	800	720	
400	1020	890	