

618H

1.6 MPa
**HIGH PRESSURE
BUTTERFLY VALVES**

622H

2.0 MPa
**HIGH PERFORMANCE
BUTTERFLY VALVES**



618H-G



622H-G

JIS conformed product

PATENTED

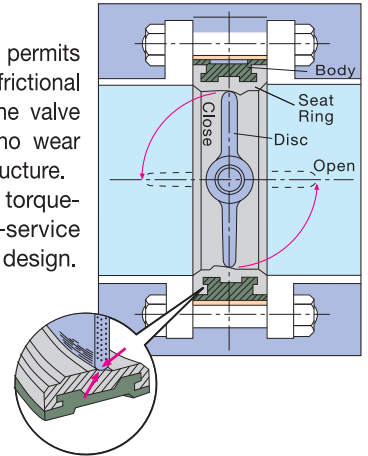
1.6MPa · 2.0MPa High-pressure Butterfly Valve created after our thorough pursuit of High-quality Seal Technology

Realized lower torque and excellent sealing performance through the "touch" seat and improving the sealing structure.

This valve brings out its stable performance for high-speed lines or high-flows-speed lines for general industries and air conditioning systems.

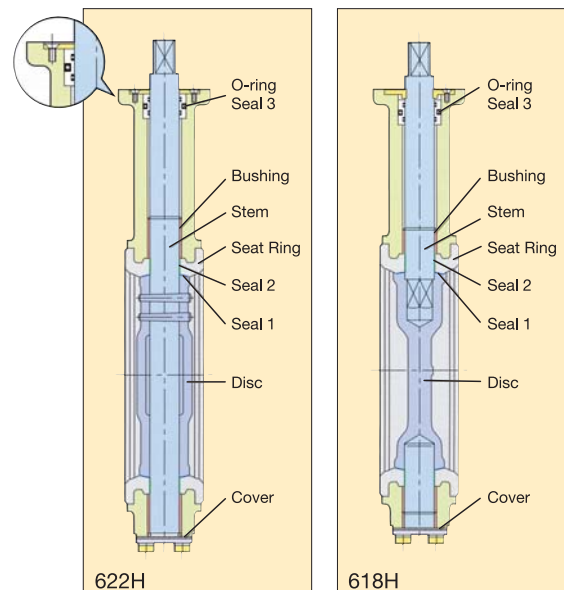
Friction-Free Operation for Low Torque, Long Service.

The patented "Touch" seat design permits the disc to close with virtually no frictional contact between the disc and the valve seat. And so, there is virtually no wear and tear on the valve's internal structure. The construction ensures a low torque-to-size ratio and improved in-service performance over a conventional design.



Multiple Sealing Structure Eliminates External Leaks

Primary sealing is provided between the disc and the seat ring, and secondary sealing is provided between the stem and the seat ring, thus assuring tight shut-off. An O-ring is mounted between the stem and the bushings for additional sealing. In addition, the valve is covered at its bottom to eliminate external leaks.



622H

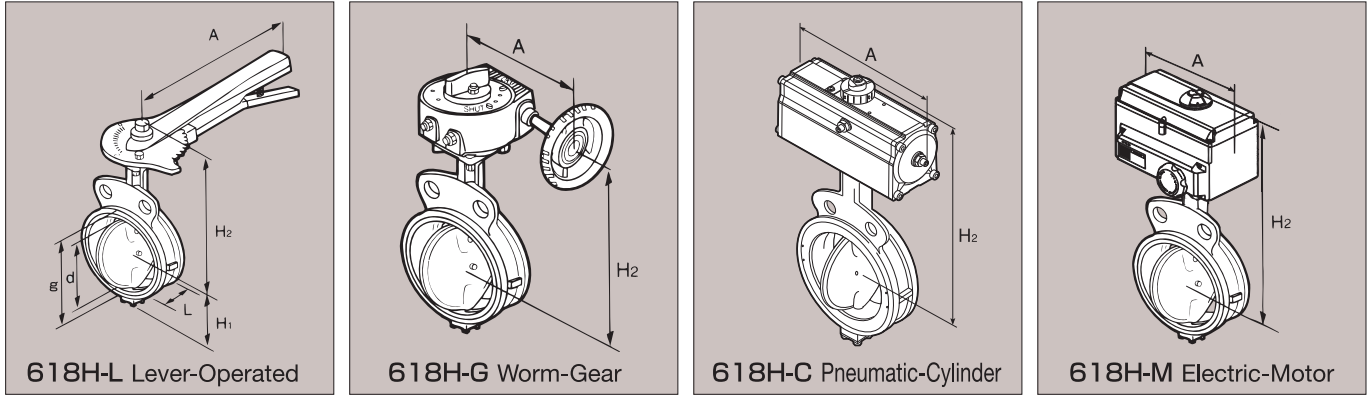
618H

- The body shape varies with the size.
- The 622H has a disc provided with a knock pin while the 618H has a disc with no knock pin.

618H

OKM's proprietary "touch" seat and S-line disk have added high-reliability, in addition to the light-weight and compact structure, to the butterfly valve's basic advantages. This valve can be widely used for air conditioning systems as well as in general industries.

● Dimensions



Nominal Size		L	d	g	H1	618H-L Lever-Operated			618H-G Worm-Gear			618H-C Pneumatic-Cylinder			618H-M Electric-Motor		
inch	mm					H2	A	Weight	H2	A	Weight	H2	A	Weight	H2	A	Weight
2	50	43	55	81	86	179	160	3.2	172	132	4.8	243	179	4	314	180	7
2 1/2	65	46	66	99	85	192	160	4.0	182	132	5.5	253	179	4.7	324	180	7.7
3	80	46	84	114	93	202	200	4.4	192	132	5.9	263	179	5.1	385	277	14.6
4	100	52	100	136	99	225	260	6.1	207	132	7.2	294	223	7.4	400	277	15.9
5	125	56	130	167	116	253	360	9.3	228	170	10.1	343	271	11	420	277	17.7
6	150	56	154	192	131	—	—	—	244	197	13.4	358	271	12.3	435	277	19
8	200	60	200	242	169	—	—	—	284	255	28	416	355	22	486	301	28
10	250	68	246	299	204	—	—	—	322	255	38	486	445	38	524	301	38
12	300	78	295	348	254	—	—	—	352	255	49	516	445	50	563	345	60
14	350	78	333	389	286	—	—	—	385	320	72	745	664	128	*	*	*
16	400	102	384	447	321	—	—	—	420	320	95	812	755	155	*	*	*
18	450	114	434	507	353	—	—	—	463	331	139	924	1060	245	*	*	*
20	500	127	485	555	385	—	—	—	570	290	167	979	1060	275	*	*	*
24	600	154	586	659	445	—	—	—	626	325	265	1177	1360	470	*	*	*

*Please contact us for sizes of 350 mm or more.

(Size : mm , Weight : kg)

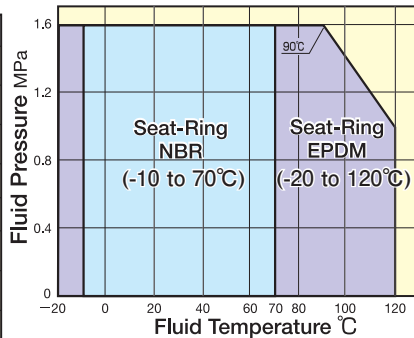
● Standard Materials

● Temperature and Pressure Ratings

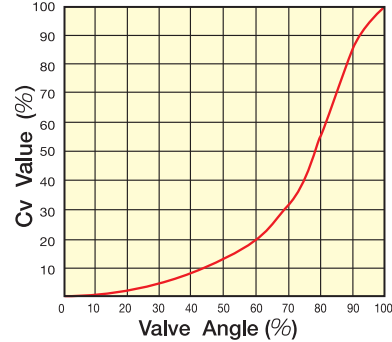
● Flow Characteristics

● Cv Values with Valve Fully Open

Part Name	Material
Body	FCD450
Disc	SCS13, SCS14
Seat Ring*	NBR, EPDM
Stem	top : SUS420J2* *350mm and larger sizes: SUS316+PTFE bottom : SUS420J2
O-ring	NBR, EPDM
Gasket	50~300mm : NBR, EPDM 350~600mm : NON ASBESTOS



*This table conforms to the JIS standard (JIS B 2032).
Contact us if you operate your valve outside the above pressure and temperature ranges.



Size (mm)	Cv Value
50	165
65	250
80	380
100	650
125	1100
150	1790
200	3300
250	4820
300	6200
350	8100
400	10800
450	13900
500	17300
600	25300

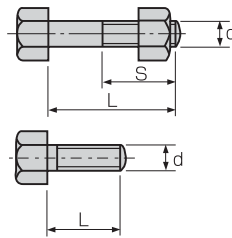
*The rubber seat is injected to the body.

*50-300mm with pneumatic actuator is SUS403.

● Standard Specifications

● Piping Bolt Sizes

Model	618H
Applicable Flange Std.	JIS10K/16K PN10 PN16 ASME 125Lb/150Lb
Max. Service Pressure	1.6MPa
Size	Lever-Operated : 50 to 125 mm Worm-Gear : 50 to 600 mm Pneumatic-Cylinder : 50 to 600mm Electric-Motor : 50 to 600mm
Max. Service Temperature	-10 to 70°C (NBR) , -20 to 120°C (EPDM)*
Face To Face	JIS B2002
Coating	Lacquer Primer (Dark cyanide green)
Hydrostatic Shell Test	2.4MPa
Hydrostatic Seat Test	1.8MPa



Nominal Size	JIS 10K			JIS 16K	
	inch	mm	Qty	Hexagonal Bolt d×L×S	Qty
2	50	4	M16×100×38	8	M16×100×38
2 1/2	65	4	M16×110×38	8	M16×110×38
3	80	8	M16×110×38	8	M20×120×46
4	100	8	M16×110×38	8	M20×130×52
5	125	8	M20×120×46	8	M22×130×56
6	150	8	M20×130×52	12	M22×140×56
8	200	12	M20×130×52	12	M22×150×56
10	250	12	M22×150×56	12	M24×160×60
12	300	16	M22×160×56	16	M24×170×60
14	350	12	M22×160×56	12	M30×P3×190×60
		8	M22×55	8	M30×P3×70
16	400	12	M24×190×60	12	M30×P3×220×60
		8	M24×60	8	M30×P3×70
18	450	16	M24×210×60	16	M30×P3×230×60
		8	M24×65	8	M30×P3×75
20	500	16	M24×220×60	16	M30×P3×250×72
		8	M24×65	8	M30×P3×75
24	600	20	M30×260×72	20	M36×P3×290×78
		8	M30×70	8	M36×P3×90

*In case of flow media contains oil or oil material, EPDM seat cannot be applicable.

*Please contact to us in case of using less than 0(Zero) temperature.

● The bolts for piping are optionally available.

● Above size is for the nut (h/d = 0.8).

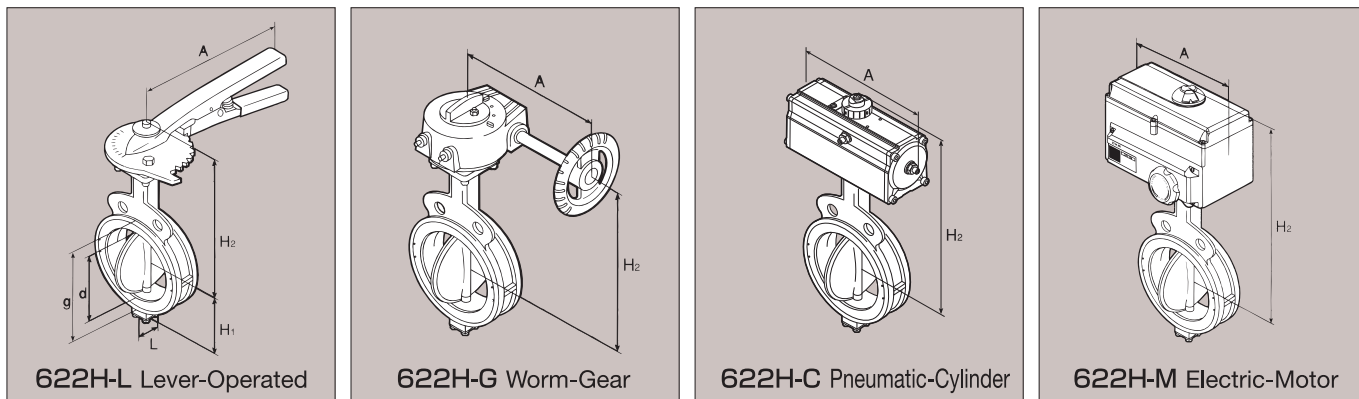
● 350 to 600 mm: Long bolt for the upper level, set bolt for the lower level

● Use head screw type of set bolt.

622H

The "touch" seat and the excellent multiple-sealing structure eliminate external leaks. This valve brings out its stable performance under conditions such as high-pressure, high-differential pressure, high-speed flow or vacuums in various fields of general industries and air conditioning.

● Dimensions



Nominal Size		L	d	g	H1	622H-L Lever-Operated			622H-G Worm-Gear			622H-C Pneumatic-Cylinder			622H-M Electric-Motor		
inch	mm					H2	A	Weight	H2	A	Weight	H2	A	Weight	H2	A	Weight
2	50	43	55	81	86	179	160	3.2	172	132	4.8	243	179	4	365.5	277	14.5
2 1/2	65	46	66	99	85	192	160	4.0	182	132	5.5	253	179	4.7	375.5	277	14.2
3	80	46	84	114	93	202	200	4.4	192	132	5.9	279	223	6.1	385.0	277	14.6
4	100	52	100	136	99	225	260	6.1	207	132	7.2	294	223	7.4	400.0	277	15.9
5	125	56	130	167	116	253	360	9.3	228	170	10.1	343	271	11	420.0	277	17.7
6	150	56	154	192	131	—	—	—	244	197	13.4	398	355	18	435.0	277	19
8	200	60	200	242	169	—	—	—	284	255	28	416	355	22	486.0	301	28
10	250	68	246	299	204	—	—	—	319	255	38	507	445	41	521.0	301	38
12	300	78	295	348	254	—	—	—	349	335	56	732	664	114	560.0	345	60
14	350	78	333	389	286	—	—	—	385	320	72	745	664	128	*	*	*
16	400	102	384	447	321	—	—	—	428	331	110	929	1060	215	*	*	*
18	450	114	434	507	353	—	—	—	463	392	144	924	1060	245	*	*	*
20	500	127	485	555	385	—	—	—	570	386	167	979	1060	275	*	*	*
24	600	154	586	659	445	—	—	—	626	421	265	1186	1360	470	*	*	*

*Please contact us for sizes of 350 mm or more.

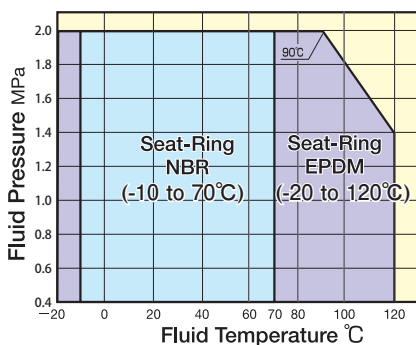
(Size : mm , Weight : kg)

● Standard Materials

Part Name	Material
Body	FCD450
Disc	SCS13
Seat Ring*	NBR, EPDM
Stem	SUS403
O-ring	NBR, EPDM
Gasket	50~300mm NBR, EPDM
	350~600mm NON ASBESTOS

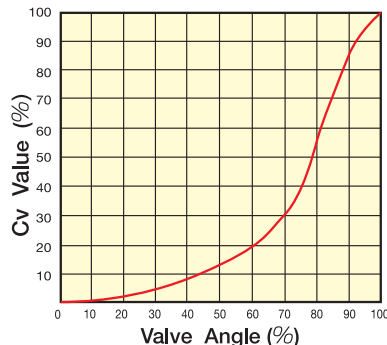
*The rubber seat is injected to the body.

● Temperature and Pressure Ratings



Contact us if you operate your valve outside the above pressure and temperature ranges.

● Flow Characteristics



● Cv Values with Valve Fully Open

Size(mm)	Cv Value
50	134
65	206
80	327
100	562
125	968
150	1547
200	2931
250	4258
300	5576
350	8100
400	10800
450	13900
500	17300
600	25300

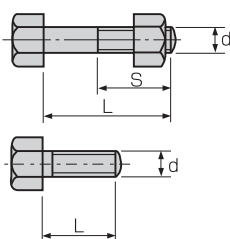
● Standard Specifications

Model	622H
Applicable Flange Std.	JIS10K/16K PN10 PN16 PN20 ASME 125Lb/150Lb
Max. Service Pressure	2.0MPa
Size	Lever-Operated : 50 to 125 mm Worm-Gear : 50 to 600 mm Pneumatic-Cylinder : 50 to 600mm Electric-Motor : 50 to 600mm
Max. Service Temperature	-10 to 70°C (NBR) , -20 to 120°C (EPDM)**
Face To Face	JIS B 2002
Coating	Lacquer Primer
Hydrostatic Shell Test	3.0MPa
Hydrostatic Seat Test	2.2MPa

**In case of flow media contains oil or oil material, EPDM seat cannot be applicable.

*Please contact to us in case of using less than 0(Zero) temperature.

● Piping Bolt Sizes



Nominal Size	JIS 16K				JIS 20K			
	inch	mm	Qty	Hexagonal Bolt d×L×S	Qty	Hexagonal Bolt d×L×S		
2	50	8	8	M16×100×38	8	M16×100×38		
2 1/2	65	8	8	M16×110×38	8	M16×110×38		
3	80	8	8	M20×120×46	8	M20×120×46		
4	100	8	8	M20×130×52	8	M20×130×52		
5	125	8	8	M22×130×56	8	M22×140×56		
6	150	12	12	M22×140×56	12	M22×140×56		
8	200	12	12	M22×150×56	12	M22×150×56		
10	250	12	12	M24×160×60	12	M24×170×60		
12	300	16	16	M24×170×60	16	M24×180×60		
14	350	12	8	M30×P3×190×60 M30×P3×70	12	M30×P3×200×72 M30×P3×75		
16	400	12	8	M30×P3×220×60 M30×P3×70	12	M30×P3×230×85 M30×P3×80		
18	450	16	8	M30×P3×230×60 M30×P3×75	16	M30×P3×250×85 M30×P3×80		
20	500	16	8	M30×P3×250×72 M30×P3×75	16	M30×P3×270×85 M30×P3×85		
24	600	20	8	M36×P3×290×78 M36×P3×90	20	M36×P3×310×97 M36×P3×95		

● The bolts for piping are optionally available.

● Above size is for the nut (h/d = 0.8).

● 350 to 600 mm: Long bolt for the upper level, set bolt for the lower level

● Use head screw type of set bolt.