



Rubber Seat Butterfly Valves

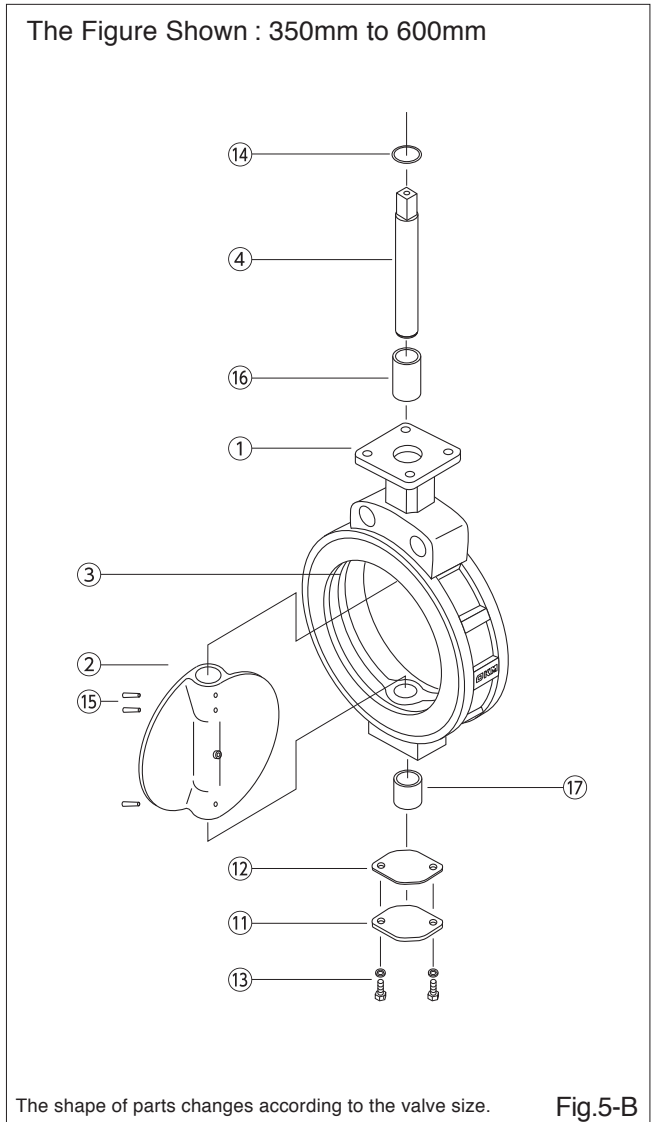
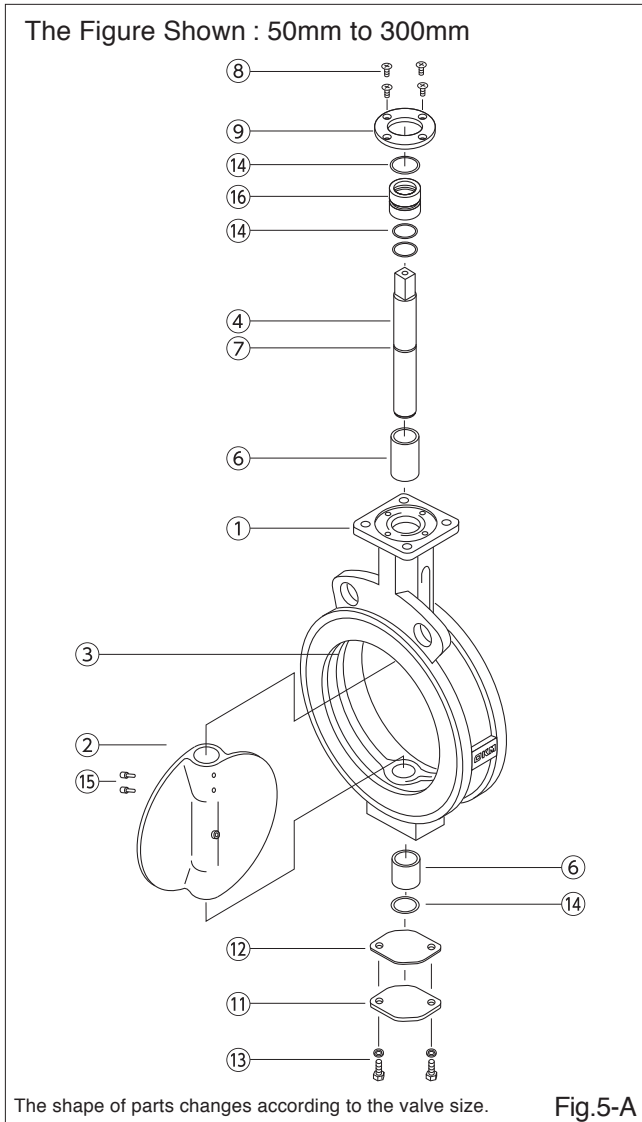


Handling Manual

Structural Drawing

622H (50mm to 300mm)

622H (350mm to 600mm)



No.	Parts Name	Q'ty
①	Body	1
②	Disc	1
③	Seat-Ring (lining)	1
④	Stem	1
⑥	Bushing	1set
⑦	Ring	1set
⑧	Screw	4
⑨	Bushing (for securing shaft)	1
⑪	Cover	1
⑫	Gasket	1
⑬	Cover Bolt/Spring Washer	1set
⑭	O-Ring	1set
⑮	Taper-pin	1set
⑯	Seal-Ring	1

No.	Parts Name	Q'ty
①	Body	1
②	Disc	1
③	Seat-Ring (lining)	1
④	Stem	1
⑪	Cover	1
⑫	Gasket	1set
⑬	Cover Bolt/Spring Washer	1set
⑭	O-Ring	1
⑮	Taper-pin	1set
⑯	Upper-Bushing	1
⑰	Lower-Bushing	1