

# IP Converters YT-930 / YT-940

## Design features

- **Flameproof housing (YT-940)** for Zone 1 installation.
- **High accuracy and sensitivity** with pressure sensor.
- **Analogue PID control.** High resolution proportional control
- **No effect from mounting orientation**

Item Type	YT-930	YT-940
Input Signal	4-20 mA DC	
Output Pressure	Standard	1 0.02 ~ 0.1 MPa (0.2 ~ 1.0 bar)
	Multi-range	2 0.00 ~ 0.12 MPa (0 ~ 1.2 bar)
		3 0.04 ~ 0.2 MPa (0.4 ~ 2.0 bar)
		4 0.00 ~ 0.23 MPa (0 ~ 2.3 bar)
Supply Pressure	Standard	1 0.13 ~ 0.16 MPa (1.3 ~ 1.6 bar)
	Multi-range	2 0.14 ~ 0.16 MPa (1.4 ~ 1.6 bar)
		3 0.22 ~ 0.24 MPa (2.2 ~ 2.4 bar)
		4 0.25 ~ 0.27 MPa (2.5 ~ 2.7 bar)
Explosion Protection Type	<b>ATEX, IECEx</b> Ex ia IIC T5/T6 Gb, Ex ia IIIC T100°C/ T85°C Db	<b>FM, CSA</b> Class I Division 1 Groups A,B,C,D Class II, III Division 1 Groups E,F,G Class I Zone 1 AEx d IIC T6 Ta=-40°C to +75°C, T5 Ta=-40°C to +85°C, Type 4X, IP66  Zone 21 AEx tb IIIC T85°C Ta= -40°C to +75°C, T100°C Ta= -40°C to +85°C, Type 4X, IP66  <b>KCs</b> Ex d IIC T5/T6
Air consumption	Below 2 LPM (sup = 0.14 MPa) Below 0.08 CFM (sup = 20 psi)	
Flow Capacity	70 LPM (sup = 0.14 MPa) 2.47 CFM (sup = 20 psi)	
Explosion Temp.	-40 to +60 °C (T5) / -40 to +40 °C (T6)	-40 to +85 °C (T5) / -40 to +75 °C (T6)
Operating Temp.	-40 to +85 °C (-22 to +185 °F)	
Linearity	±0.5% F.S.	
Hysteresis	±0.5% F.S.	
Sensitivity	±0.2% F.S.	
Repeatability	±0.3% F.S.	
Air Connection	Rc 1/4, 1/4 NPT	
Conduit	G 1/2	
Ingress Protection	IP66	Type 4X, IP66
Impedance	Max. 390Ω @20mA DC	Max. 313Ω @20mA DC
Material	Aluminium Diecasting	
Weight	1.6 kg (3.53 lb)	2.5 kg (5.6 lb)



YT-930

YT-940



## Product Code

**YT-930 - N - 1 - 1 - L - 0 - 0**

### Model

YT-930 = Intrinsically Safety Type  
YT-940 = Flameproof Type

### Explosion Protection

YT-930  
N = Non-Explosionproof  
i = ATEX, IECEx

YT-940  
C = KCs, FM, CSA

### Output Pressure

1 = 0.02 to 0.1 MPa  
2 = 0.00 to 0.12 MPa  
3 = 0.04 to 0.2 MPa  
4 = 0.00 to 0.23 MPa

### Conduit - Air Connection

1 = G 1/2 - Rc 1/4  
2 = G 1/2 - 1/4 NPT

### Operating Temp. (Non-explosionproof)<sup>1</sup>

L = -40 to +85 °C (-40 to +185 °F)

### Option

0 = None  
1 = Feedback Signal (4-20 mA DC)

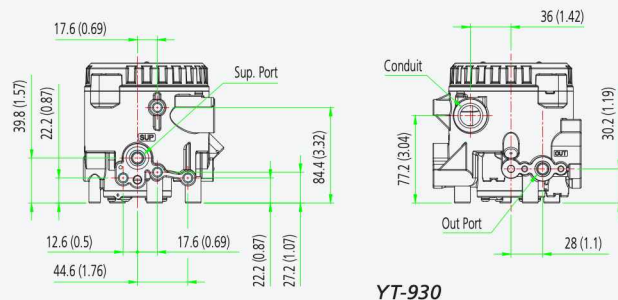
### Gauge

0 = None  
1<sup>2</sup> = 0 to 0.2 MPa  
2<sup>2</sup> = 0 to 0.4 MPa

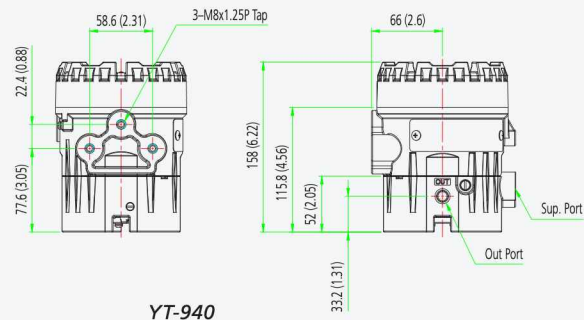
### Notes:

1. This option is the normal operating temperature of the product and is not related to explosion protection temperature. See certificates for explosion protection temperature.
2. For 1 or 2 in Output Pressure option.
3. For 3 or 4 in Output Pressure option.

## Dimensions: mm (Inches ")



YT-930



YT-940