

Pressure Reducing Valve

FIG. F1318

Specifications

- Reducing Valve: Reduces a higher inlet pressure to a lower outlet pressure.
- Constant Outlet Pressure over Wide Flow Range.
- Pilot-operated main valve not subject to pressure fall off.
- Outlet Pressure is adjustable with single screw.
- Can be maintained without removal from the pipeline.
- Adjustable Opening / Response Speed.
- Stabilized regulation at near-zero flow.
- Flanged Ends to EN 1092-2PN10 / PN16, ANSI B16.1 Class125. (Other available on request)
- Grooved Ends to AWWA C606 Standard.
- 1.5" to 10" valves are UL 1739 listed.
- GOST Certified.

Working Pressure

- Upstream Pressure: Max 300 psi, 175 psi, 10 bar, 16 bar.
- Downstream Pressure: 15 psi - 60 psi, 35 psi - 85 psi, 65 psi - 165 psi.

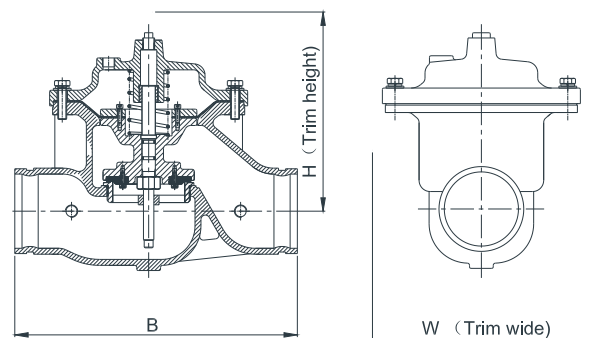
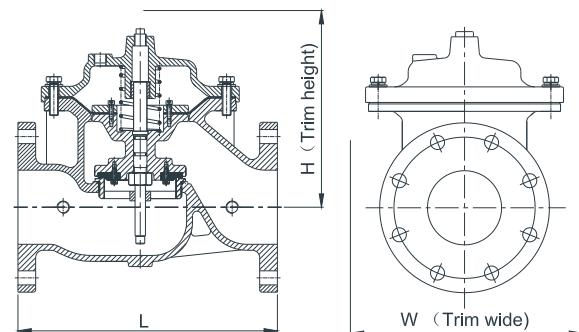
Corrosion Protection

- Enamel Paint or Fusion Bonded Epoxy Coated Interior and Exterior.

Material Specifications

Part	Material	ASTM Specification
Body	Ductile Iron	A536 Grade 65-45-12
Bonnet	Ductile Iron	A536 Grade 65-45-12
Seat	Stainless Steel	A276 Type 304
Stem	Stainless Steel	A276 Type 304
Spring	Stainless Steel	A276 Type 304
Diaphragm	Nylon Reinforced Natural Rubber/EPDM/NBR	
Seat Disc	NBR/EPDM	
Pressure Reducing Pilot	Bronze	B62 C62300

Schematic



Main Dimensions (mm /inch)

Size	DN40	DN50	DN65	DN80	DN100	DN125	DN150	DN200	DN250	DN300
L	200/7.87	230/9.05	290/11.42	310/12.2	350/13.78	400/15.75	480/18.9	600/23.6	730/28.75	850/33.46
B	220/8.66	241/9.48	290/11.42	325/12.8	381/15	419/16.5	508/20	645/25.4	762/30	900/35.43
H	180/7.1	200/7.9	215/8.46	265/10.45	290/11.42	340/13.4	390/15.35	470/18.5	570/22.45	690/27.2
W	410/16.2	420/16.6	440/17.35	455/18	470/18.5	490/19.3	540/21.25	590/23.23	640/25.2	690/27.2

Notes

- 1.5" to 10" valves are UL listed.
- Designs, materials and specifications shown are subject to change without notice due to the continuous development of our products.