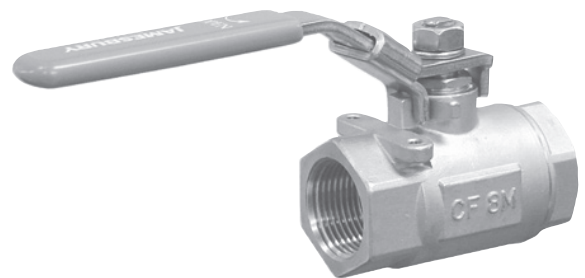


NELES

Jamesbury™ Value-Line™ 1/4" – 2 (DN 8 – 50) series 100 threaded-end ball valves

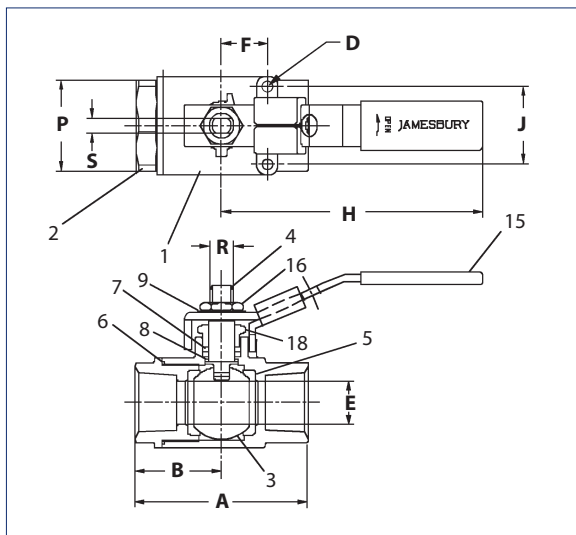
Jamesbury™ Series 100 general purpose ball valves feature bubble tight shut-off for industrial and utility services. Ideal for applications where non-relieving seats are acceptable.



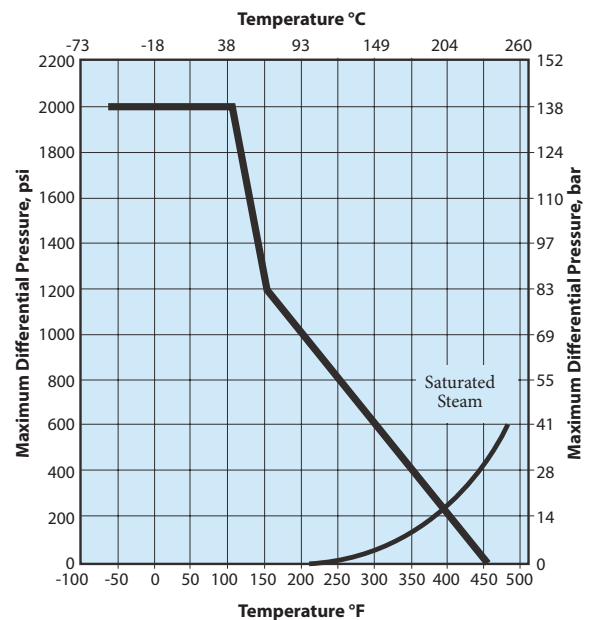
FEATURES

- Two piece body construction of WCB carbon steel (Series 152M) or CF8M stainless steel material (Series 156M).
- Integral actuator mounting pad.
- Standard slide lock handle to meet OSHA 1910.147.
- Seats, stem and body seals are reinforced PTFE for high pressure rating and long cycle life.
- Internal entry stem provides positive stem retention.
- 2000 psi (138 bar) CWP non-shock rating. CWP Rating is -20°F to 100°F (-29°C to 38°C) for carbon steel, and -60°F to 100°F (-51°C to 38°C) for stainless steel.
- Optional accessories include stem extensions and oval handles with slide lock.
- NPT threads per ASME B1.20.1

DIMENSIONS

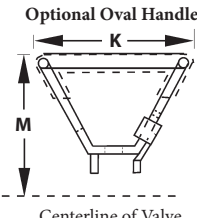


VALVE SEAT RATING



OPTIONAL HANDLES AND ACCESSORIES

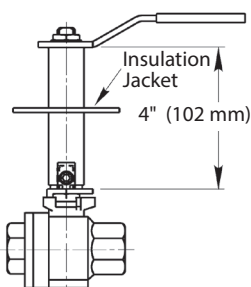
The Series 100 ball valves have optional handles available. To order handles separately, specify the following part number:

Optional Oval Handle 	Handle Type	1/4" – 1/2" (DN 8-15)	3/4" – 1" (DN 20-25)	1-1/4" – 2" (DN 30-50)
	Stainless Steel Lockable Oval Handles	LD-95	LD-96	LD-97

STEM EXTENSIONS

A standard 4" (102 mm) stem extension is offered.

Valve Size - Inches (DN)	Kit Number
1/4 – 1/2 (DN 8 – 15)	SE-81
3/4 – 1-1/4 (DN 20 – 30)	SE-82
1-1/2 – 2 (DN 40 – 50)	SE-83



Bill of Materials and Parts List			
Part No.	Part Name	Carbon Steel 152M	316 Stainless Steel 156M
1	Body	Carbon Steel	316 Stainless Steel
2	Body Cap	Carbon Steel	316 Stainless Steel
3	Ball	316 Stainless Steel	
4	Stem	316 Stainless Steel	
5	Seat	Reinforced PTFE	
6	Body Seal	Reinforced PTFE	
7	Stem Seal	Reinforced PTFE	
8	Stem Bearing	Reinforced PTFE	
9	Shakeproof Washer	Carbon Steel	316 Stainless Steel
15	Handle	Carbon Steel	316 Stainless Steel
16	Stem Nut	Carbon Steel	316 Stainless Steel
18	Gland Nut	Carbon Steel	316 Stainless Steel

Valve size inches	Approx. Dimensions – inches												Approx. weight lb	Torque FT-LBS
	A	B	D	E	F	H	K	J	M	P	R	S		
1/4	2.07	1.04	#10-24	0.37	0.50	4.33	3.35	1.12	2.15	0.90	0.31	0.20	0.6	3
3/8	2.07	1.04	#10-24	0.37	0.50	4.33	3.35	1.12	2.16	0.90	0.31	0.20	0.6	3
1/2	2.34	1.17	#10-24	0.50	0.50	4.33	3.35	1.12	2.26	1.06	0.31	0.20	0.7	6
3/4	2.80	1.40	#10-24	0.69	0.87	5.83	4.65	1.38	2.68	1.34	0.44	0.28	1.4	10
1	3.23	1.62	#10-24	0.87	0.87	5.83	4.65	1.38	2.83	1.61	0.44	0.28	2	12
1-1/4	3.57	1.79	1/4-20	1.00	0.93	7.76	5.04	1.50	3.21	1.89	0.56	0.35	2.6	21
1-1/2	4.04	2.02	1/4-20	1.25	0.93	7.76	5.04	1.50	3.39	2.26	0.56	0.35	4	25
2	4.63	2.32	1/4-20	1.50	0.93	7.76	5.04	1.50	3.64	2.76	0.56	0.35	6	27

Valve size DN	Approx. Dimensions – mm												Approx. weight kg	Torque Nm
	A	B	D	E	F	H	K	J	M	P	R	S		
8	52.6	26.4	#10-24	9.4	12.7	110.0	85.1	28.4	54.6	22.9	7.9	5.1	0.27	4.07
10	52.6	26.4	#10-24	9.4	12.7	110.0	85.1	28.4	54.9	22.9	7.9	5.1	0.27	4.07
15	59.4	29.7	#10-24	12.7	12.7	110.0	85.1	28.4	57.4	26.9	7.9	5.1	0.32	8.14
20	71.1	35.6	#10-24	17.5	22.1	148.1	118.1	35.1	68.1	34.0	11.2	7.1	0.63	13.56
25	82.0	41.1	#10-24	22.1	22.1	148.1	118.1	35.1	71.9	40.9	11.2	7.1	0.90	16.27
30	90.7	45.5	1/4-20	25.4	23.6	197.1	128.0	38.1	81.5	48.0	14.2	8.9	1.18	28.47
40	102.6	51.3	1/4-20	31.8	23.6	197.1	128.0	38.1	86.1	57.4	14.2	8.9	1.81	33.89
50	117.6	58.9	1/4-20	38.1	23.6	197.1	128.0	38.1	92.5	70.1	14.2	8.9	2.72	36.61

Subject to change without prior notice. Neles, Jamesbury and Easyflow by Neles, and certain other trademarks, are either registered trademarks or trademarks of Neles Corporation or its subsidiaries or affiliates in the United States and/or in other countries. For more information www.neles.com/trademarks

Neles

Vanha Porvoontie 229, 01380 Vantaa, Finland.
Tel. +358 10 417 5000.

neles.com

Reinventing
reliability