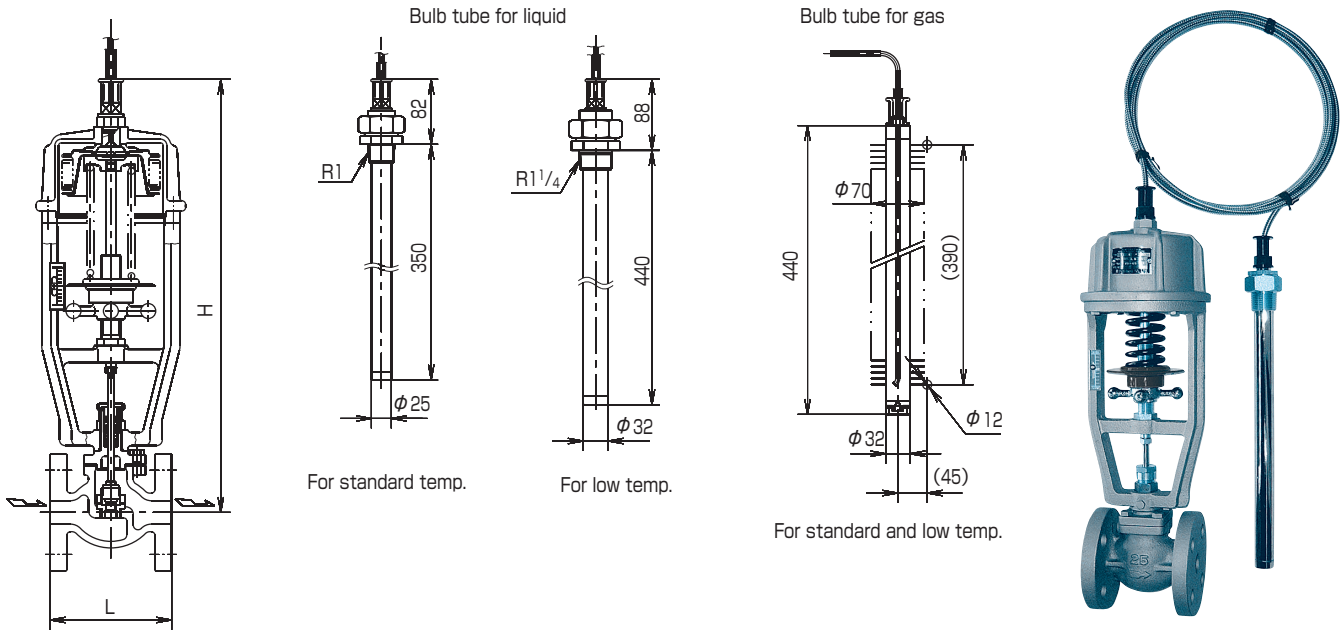


T88S

Type T88S Temperature Regulating Valve

For liquid, gas



5 Temperature Regulating Valves

Specifications

Type	For heating		
Set temperature range	15–120°C ⁽¹⁾		
Size (²)	15	20	25
Valve	Single seat (Normal flow)		
Seat leakage	0.5 % of rated flow or less		
Max. allowable pressure (MPa)	1.0		
Connection	Flanged JIS10KFF		
Fluid through valve	Steam (max. 185°C)		
Bulb tube pressure (MPa)	Max. 1.0 (for liquid), Atmospheric (for gas)		
Bulb tube connection	Screwed		
Capillary tube	3m (max. 5m)		

Note ⁽¹⁾ : Refer to table of standard set temperature range

Main parts material

Part name	Material
Body	Cast iron
Cover	Bronze
Valve disc	Stainless steel
Valve seat	Stainless steel
Bellows	Phosphor bronze
Capillary tube	Copper tube covered by bellows
Bulb tube	Stainless steel tube

Remarks 1. Bulb tube with flange connection is available
2. In case bulb tube for gas is pressurized, please specify it.

Construction and Cv values (mm, kg)

Class	Size	15	20	25
L		120	120	130
H		465	465	465
Weight		10	11	12
Cv		2	3	4

Temperature difference between valve opening and closing

Class	For liquid		For gas	
	Standard temp.	Low temp.	Standard temp.	Low temp.
Connecting tube : 3m	Max. 4.5°C	Max. 5°C	Max. 7.5°C	Max. 8°C

Type T88S Temperature Regulating Valve

Standard set temperature range

Category	Set temperature range	Max. allowable temperature
Low temperature	15°C – 30°C	45°C
	20°C – 40°C	50°C
	35°C – 55°C	70°C
Standard temperature	40°C – 60°C	70°C
	50°C – 70°C	80°C
	60°C – 80°C	90°C
	70°C – 90°C	100°C
	80°C – 100°C	110°C
	90°C – 110°C	120°C
	100°C – 120°C	130°C

Sizing

Use the following chart to select the suitable valve size.

Example

Fluid : saturated steam

Inlet pressure : 0.6MPa

Flow : 160kg/h

Allowable differential pressure : 0.1MPa

From saturated temperature of outlet pressure $0.6 - 0.1 = 0.5\text{MPa}$, draw a horizontal line right to 160kg/h steam flow line.

From there, draw a vertical line upward to 0.1MPa differential pressure.

As the final intersecting point is between 20 line and 25 line, the required valve size is 25.

