

Direct acting

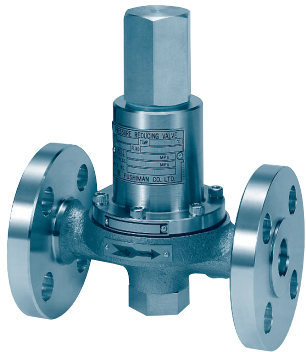
Type 67R · PPD25 Pressure Reducing Valves

For gas

- For small flow rate and small size.
- Non-bleed type.
- A inner valve with rubber printed ensures tight shut off when closed.



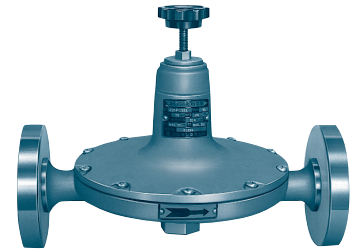
67R PRV
Screwed



67R PRV
Flanged



PPD25 PRV
Screwed



PPD25 PRV
Flanged

1 Pressure Reducing Valves (For gas)

Specifications

Model	Fluid	Size	Pressure		Temp. (°C)	Material for main parts			Connection
			Inlet (MPa)	Outlet set range		Body	inner Valve	Diaphragm	
67R	Air & non-corrosive gases	8-15	0.055-4.0	0.035-0.16MPa 0.08-0.28MPa 0.2-0.5 MPa (Max. press. reduc. ratio : 25 : 1)	-10 +110	Stainless steel	Stainless steel (rubber printed for 1.6MPa or lower)	Synthetic rubber	Screwed JIS Rc
		10-25	0.055-2.0	Stainless cast steel		Flanged JIS20KRF			
PPD25	Air & non-corrosive gases	8	0.002-0.4	0.5- 2.0kPa 1.0- 5.0kPa 3.0-10 kPa 6.0-20 kPa 15-35 kPa	-10 +80	Bronze	Stainless steel (rubber printed)	Synthetic rubber	Screwed JIS Rc
		8-15				Stainless cast steel			Screwed JIS Rc
									10-25

- Remarks
1. All valves are single seated.
 2. PPD25 should be installed in horizontal piping.
 3. ASME flange is available.

Performance

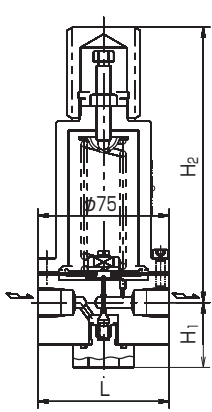
Type	67R	PPD25
Offset	10% of max.set pressure or less	12% of max.set pressure or less
Seat leakage	0.01% of rated flow or less (0.05% or less for over 1.6MPa of inlet press.)	0.01% of rated flow or less
Cv	0.04 or 0.07	0.07

Type 67R · PPD25 Pressure Reducing Valves

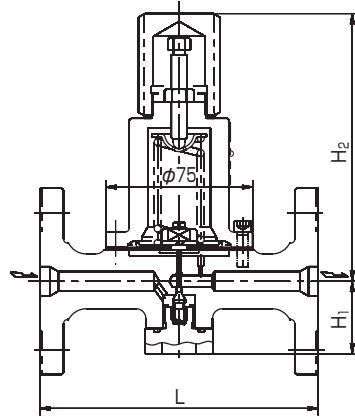
1

Construction

●67R Pressure Reducing Valve



Stainless steel, Screwed
Size 8–15



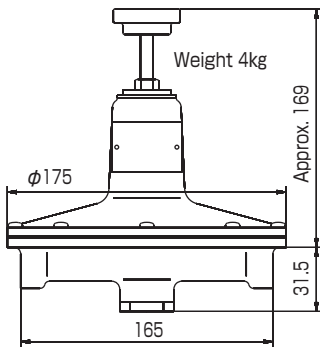
Stainless cast steel, Flanged
Size 10–25

Dimensions of 67R

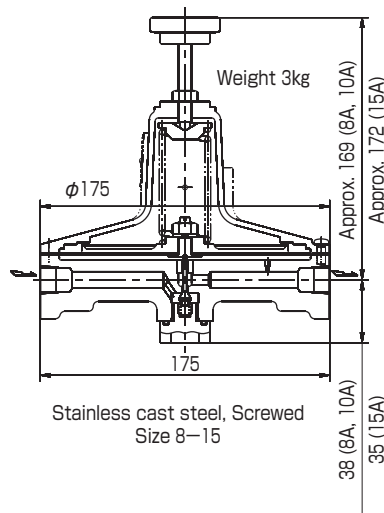
(mm, kg)

Connection	Size	L	H ₁	H ₂		Weight
				For 0.16 & 0.28MPa	For 0.5MPa	
Screwed JIS Rc	8	75	37	137	158	2.3
	10	75	37	137	158	2.3
	15	75	33	141	162	2.3
Flanged JIS 20K	10	146	37	137	158	4
	15	146	37	137	158	4
	20	150	33	141	162	4
	25	150	33	141	162	5

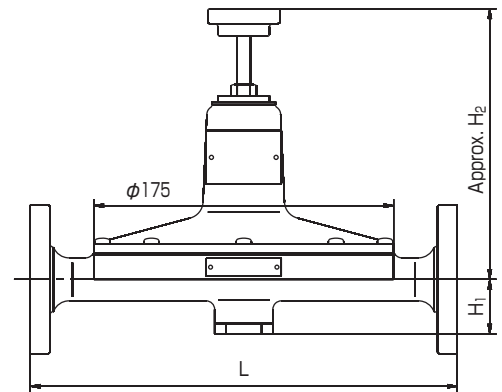
●PPD25 Pressure Reducing Valve



Bronze, Screwed
Size 8



Stainless cast steel, Screwed
Size 8–15



Stainless cast steel, Flanged
Size 10–25A

Dimensions of PPD25 (Flanged JIS10KFF)

(mm, kg)

Size	L	H ₁	H ₂	Weight
10	252	38	169	5.4
15	252	38	169	5.5
20	256	38	169	6
25	256	35	172	6.3