

Fisher™ HP Series Control Valves

HP (Globe Valve) HPA (Angle Valve)

- Balanced High-Temperature Trim
- Balanced Tight Shutoff Trim
- Unbalanced Trim

Fisher HP Series control valves are single-port, high-pressure, globe- or angle-style valves with metal seats, cage guides, and push-down-to-close valve plug action.

These valves are designed for high-pressure applications in process control industries such as power generation, hydrocarbon production, chemical processing, and refining.

HP Series valves have NACE compliant materials available. In certain sizes extra valve body wall thickness provides a safety margin of protection against erosion, as well as extra protection against corrosion due to chemical attack. Because these valves feature a thicker valve body wall, they are available in higher intermediate ratings with weld-end fittings.

Unless otherwise noted, all NACE references are to NACE MR0175-2002 and MR0103.

Balanced High-Temperature Trim

HPD and HPAD

These valves use a balanced valve plug with graphite piston rings and are well suited for general applications with process temperatures in excess of 232°C (450°F), where extremely tight shutoff is not required.



X0183-2

FISHER HP VALVE WITH 667 ACTUATOR AND
FIELDVUE™ DVC6200 DIGITAL VALVE CONTROLLER

Balanced Tight Shutoff Trim

HPT and HPAT

These valves use a balanced valve plug and offer excellent shutoff with process temperatures below 232°C (450°F). The temperature limits of HPT can be extended above 232°C (450°F) to 316°C (600°F) by using PEEK (PolyEtherEtherKetone) anti-extrusion rings in combination with a spring-loaded PTFE seal. The PEEK anti-extrusion rings expand to help close off the clearance gaps on the plug outside diameter and the cage inside diameter where the PTFE seal may extrude at high temperatures and pressures.

Specifications

Available Configurations⁽¹⁾ and Valve Sizes

See table 1

Common Characteristics: Designed according to:
 ■ ASME B16.34 Valve-Flanges, Threaded and Welded End and ■ ANSI/ISA-75.08.05 (long or short) or ANSI/ISA-75.08.06 (long or short) ■ Socket Welding consistent with ASME B16.11 ■ ASME B16.10 Face-to-Face and End-to-End dimensions of valves

End Connections Styles⁽¹⁾

See table 1

Maximum Inlet Pressure and Temperature^(1,2)

Flanged, Socketweld, or Butt weld: Consistent with CL900, 1500, 2500, and 3200 according to ASME B16.34, unless limited by maximum pressure drop or material temperature capabilities

In addition, both steel HP and HPA valves with BWE and SWE connections have increased pressure/temperature ratings as shown in table 3

Maximum Pressure Drop⁽¹⁾

Valve with Standard Cage: See figure 17

Valve with Cavitrol™ III Cage: Typically 149 bar (2160 psi) for two-stage and 207 bar (3000 psi) for three-stage cage. Consult Fisher Bulletin 80.2:030, Cavitrol III One-, Two-, and Three-Stage trims ([D100196X012](#)) for more information

Valve with Whisper Trim™ III Cage: 0.999 $\Delta P/P_1$ maximum for levels A1 through D3

Valve with WhisperFlo™ Trim:
Levels X, Y, and Z: 0.999 $\Delta P/P_1$ maximum

Shutoff Classifications

See table 4

Construction Materials

Valve Body and Bonnet:
 ■ WCC steel⁽³⁾, ■ WC9 Cr-Mo steel⁽³⁾⁽⁹⁾, ■ C12A chrome-moly alloy, ■ CF8M, CF8C, CD3MN, and CD3MWCuN stainless steel, and ■ LCC for low

temperature service

Valve Plug, Cage, and Seat Ring: See table 13

Other Parts: See table 7

Consult your Emerson sales office for special trim and valve body material availability.

Material Temperature Capabilities⁽¹⁾

HPD, HPAD, HPS, and HPAS: Up to 593°C (1100°F) unless limited (see tables 7 and 13 and figure 17)
HPT and HPAT: Up to 316°C (600°F) unless limited (see tables 7 and 13 and figure 17)

Flow Characteristics⁽⁴⁾

Standard Cages: ■ Linear, ■ equal percentage, ■ modified equal percentage⁽⁵⁾
Cavitrol III, Whisper Trim III, and WhisperFlo Cages:
 Linear
 Micro-Flute: Equal percentage
 Micro-Flat: Linear
 Micro-Form: ■ Equal percentage, ■ modified equal percentage

Flow Direction

Standard Cage

- *HPD, HPAD:* Normally flow down
- *HPS, HPAS:* Normally flow up⁽⁶⁾
- *HPAS Micro-Flat:* Flow down
- *HPS, HPAS Micro-Form:* Flow up only
- *HPT, HPAT:* Normally flow down
- Cavitrol III Cage:** Flow down
- Whisper Trim III and WhisperFlo Cage:** Flow up

Flow Coefficients

See table 2 and also Fisher Catalog 12

Noise Levels

See Fisher Catalog 12, Section 3 for noise prediction methods

Port Diameters, Valve Plug Travel, and Stem Diameters

See tables 5, 9, 10, and 12

- continued -

Specifications (continued)

Bonnet Style and Mounting⁽¹⁾

- **Standard Bonnet:** See figure 1
- Yoke Temperature Limit (NPS 2 through 6):** Standard bonnet with cast iron yoke is limited to 538°C (1000°F)
- **Optional Style 1—Extension Bonnet:** Used for NPS 1 and 2 valves for CL900 or 1500, and NPS 1 valves for CL2500 (see figures 22 and 23)

Packing Arrangements

- Single, ■ Double, and ■ Leakoff standard packing, or optional ■ ENVIRO-SEAL™ and ■ HIGH-SEAL packing systems. See figure 7. Also see Fisher bulletin 59.1:061, ENVIRO-SEAL and HIGH-SEAL Packing System for Sliding-Stem Valves ([D101633X012](#))

Yoke Boss Diameter for Actuator Mounting

See tables 5 and 11, and figures 21, 22, and 23

Approximate Weight

See table 6

Optional Safety Instrumented System Classification

HPD, HPS, HPAS, and HPT: SIL3 capable for NPS 1 through 14 - certified by exida Consulting LLC
HPAD and HPAT: SIL3 capable for NPS 1, 2, 6, 8, and 12 - certified by exida Consulting LLC

Options⁽¹⁾

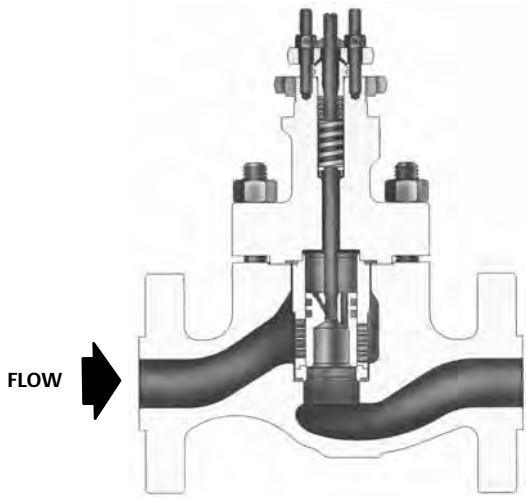
- Valves with weld-end fittings have increased pressure/temperature ratings, called intermediate ratings⁽⁷⁾, ■ Class V⁽⁶⁾ shutoff for HPT and HPAT to 316°C (600°F) using PEEK anti-extrusion rings⁽⁸⁾, ■ Class V shutoff for HPD and HPAD to 593°C (1100°F) using C-seal trim, ■ expanded ends⁽⁷⁾ for NPS 4 and 6 valves (NPS 4 valves are available with NPS 6 ends, and NPS 6 valves are available with NPS 8 ends), ■ lubricator or lubricator/isolating valve⁽⁷⁾

1. The pressure/temperature limits in this bulletin and any applicable standard limitations should not be exceeded.
2. EN (or other valve body material) ratings and end connections can usually be supplied; consult your Emerson sales office.
3. SA-105 and SA-182-F22 are used for CL2500 HPA valves instead of WCC and WC9.
4. Special characterized cages are available. Contact your Emerson sales office.
5. Modified equal percentage characteristic is equal percentage for the first 75% of travel, then opens quickly for additional capacity.
6. HPS valves may be used flow down for on-off service only. HPAS valves may be used for flow down in erosive service.
7. For more information contact your Emerson sales office.
8. Required for all boiler feedwater applications.
9. For NPS 8, 10, and 12 above 510°C (950°F) when using WC9 body must use C12A bonnet. Below 510°C (950°F) when using WC9 body can use WC9 bonnet.

Table of Contents

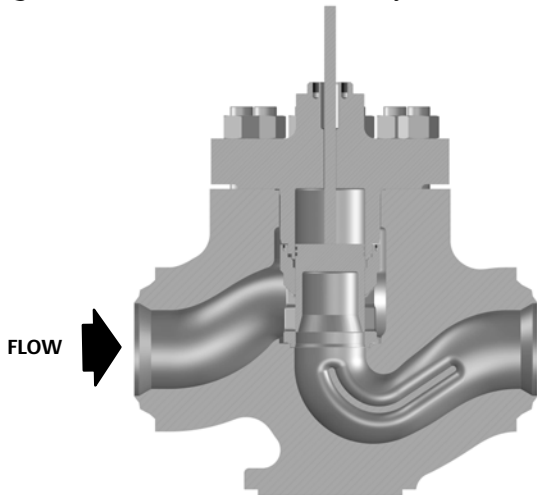
Balanced High-Temperature Trim	1	Material Selection Guidelines	10
Balanced Tight Shutoff Trim	1	Installation	10
Specifications	2	Packing	12
Unbalanced Trim	4	Trim Selection Guidelines	28
Expanded Ends	4	Trim Descriptions	30
Cavitrol, Whisper Trim		Pressure/Temperature Limits for	
and WhisperFlo Cages	4	Trim Material Combinations	37
Features	4	Dimensions	41

Figure 1. Fisher HPD Valve Assembly, NPS 2 to 6



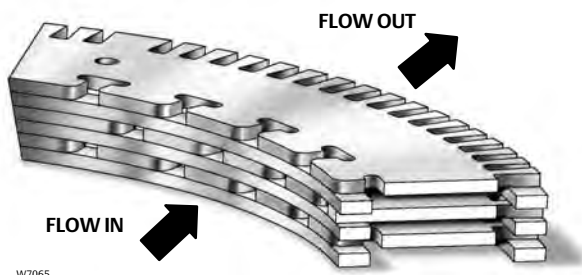
W5815A-1

Figure 2. Fisher HPD Valve Assembly, NPS 8 to 14



X1514

Figure 3. Typical WhisperFlo Trim Cut Section View for Fisher HP Valve



W7065

Unbalanced Trim

HPS and HPAS

These valves have an unbalanced plug and provide excellent shutoff.

Expanded Ends

Expanded ends are available on the NPS 4 and 6 CL900 and 1500 HP (ISA 75.08.05 (long) or ISA 75.08.06 (long)) valves. The NPS 4 HP valve body is offered with NPS 6 ends. The NPS 6 valve body is offered with NPS 8 ends. Both flanged and butt-weld end valve bodies are offered with expanded ends.

Cavitrol III, Whisper Trim III, and WhisperFlo Cages

To eliminate cavitation damage in a properly-sized valve, a Cavitrol III cage is available with HPS, HPAS, HPT, HPAT, and HPD control valves.

To help attenuate aerodynamic noise in gaseous service, Whisper Trim III and WhisperFlo (figure 3) cages are available with HPS, HPAS, HPT, HPAT, along with NPS 8 through 14 HPD and HPT control valves. Contact your [Emerson sales office](#) for more information.

Features

- **Valve Plug Stability**—Rugged cage guiding provides increased valve plug stability, which reduces vibration and mechanical noise.
- **Full Pressure Drop Capability**—Rugged construction allows full pressure drop capability in HP series valves.
- **Spiral-Wound Gaskets for Excellent Sealing Under All Service Conditions**—Premium materials are used in the construction of spiral-wound gaskets for HP Series valves. These premium materials, which make up the standard spiral-wound gaskets, are N06600 (alloy 600)/graphite or N07750 (alloy X750)/graphite.

Figure 4. Fisher HPT Valve Assembly, NPS 3 to 6

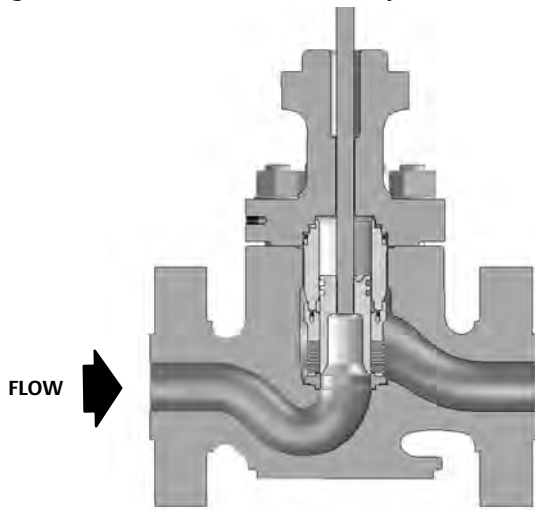
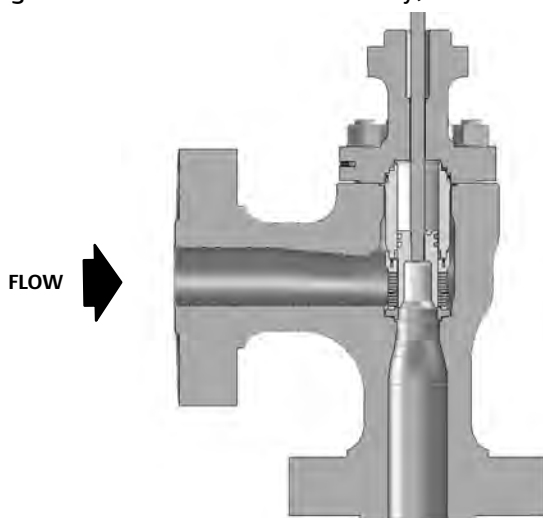


Figure 5. Fisher HPAT Valve Assembly, NPS 6 to 12



Features (cont.)

- **Compliance with the Clean Air Act**—Optional ENVIRO-SEAL packing systems (figure 7) provide an improved stem seal to help prevent the loss of valuable process fluid or emission of hazardous process fluid. The ENVIRO-SEAL packing systems feature PTFE or graphite ULF.
- **Piping Economy**—The availability of expanded end connections on NPS 4 and 6 HP (ISA 75.08.05 (long) or ISA 75.08.06 (long)) valves may eliminate the need for line swages while accommodating oversized piping arrangements.
- **Quick Change Trim**—Maintenance is simple and can easily be performed using common tools. Trim components can be quickly removed and changed with no need for special tools.
- **Integrated Cage-Seat Ring Design**—Find this option on globe NPS 8, 10, 12, 14 and angle NPS 12 valves offering easier maintenance and better shutoff.
- **Standard Hard Trim Materials**—The cage, valve plug, and other trim parts are manufactured from hardened materials. This standard feature provides excellent wear resistance.
- **Increased Pressure/Temperature Ratings**—HP Series valves with weld-end fittings have increased pressure/temperature ratings, called intermediate ratings, as defined in ASME B16.34. The extra strength of these valves allows ratings higher than the standard CL900 or 1500 ratings specified in B16.34. The globe NPS 8 to 12 HP is available as a standard Intermediate ANSI Class 3200 to achieve higher pressure/temperature ratings. Not available on angle NPS 8. Contact your [Emerson sales office](#) for further information on intermediate ratings.
- **Trim Interchangeability**—Cavitrol III, Whisper Trim III, and WhisperFlo trims (figures 12, 13, and 15) are interchangeable with standard trims.
- **Control of Low Flow Rates/Tight Shutoff**—Micro-Flute and Micro-Form valve plugs (figures 10 and 11, respectively) provide superb rangeability in high-pressure, low-flow applications, while maintaining tight shutoff (table 4). A choice of several restricted port diameters helps to match valve body capacity to required flow, to provide necessary control with full travel, and to prevent throttling near the seat.

In low-flow applications where cavitation damage may occur, the Micro-Flat valve plug can be used with a special Cavitrol III cage. Contact your Emerson sales office for more information.
- **Smooth Control at High Pressure Drops**—Available on NPS 2 through 14 valves, balanced trim provides smooth control at high pressure drops.

Features (cont.)

- **High-Temperature Capability with Class V Shutoff**—Use of C-seal trim (see figure 8) permits Class V shutoff up to 593°C (1100°F) for NPS 2 through 6 HPD (ISA 75.08.05 (long) or ISA 75.08.06 (long)) valves. Use of Bore-seal trim (see figure 6) permits Class V shutoff up to 593°C (1100°F) for NPS 8 through 12 HPD valves.
- **Sour Service Trims Available**—Long-lasting, erosion- and corrosion-resistant trims are available for control of sour service. These trims are offered with either a standard cage, a Cavitrol III cage, a Whisper Trim III cage, or WhisperFlo trim. Spiral-wound gasket construction is standard.

Table 1. Available Constructions

DESIGN	VALVE SIZE, NPS	PRESSURE RATING	VALVE BODY MATERIAL AND END CONNECTION STYLE ^(1, 2)	
			WCC, WC9, LCC, C12A, CF8M, CF8C, CD3MN, and CD3MWCuN Stainless Steel Cast Valves	SA-105, SA-182-F22, SA-182-F316, S31803 F51, and S32760 F55 forged SST (for forged steel HPA CL2500 angle valves)
			RF or RTJ Flanged, Butt weld, and Socketweld ⁽³⁾	Socketweld
HPAD	2 to 8	CL900 and 1500	X	---
	2, 6, 8, 12	CL2500	X	X
HPAS	1 to 2	CL900 and 1500	X	---
		CL2500	---	X
HPAT	2 to 8	CL900 and 1500	X	---
	2, 6, 8, 12	CL2500	X	X
HPD	2 to 6	CL900 and 1500	X	---
		CL2500	X	---
	8 to 12	CL900, 1500, and 2500	X	---
		CL3200	X ⁽⁴⁾	---
14	CL2500	X ⁽⁴⁾	---	
HPS	1 to 3	CL900 and 1500	X	---
	1 to 4	CL2500	X	---
HPT	2 to 6	CL900 and 1500	X	---
		CL2500	X	---
	8 to 12	CL900, 1500, and 2500	X	---
		CL3200	X ⁽⁴⁾	---
	14	CL2500	X ⁽⁴⁾	---

X = Available Construction.
 1. End connection style abbreviations: RF - Raised Face, RTJ - Ring Type Joint.
 2. EN (or other valve body material) ratings and end connections can usually be supplied; consult your Emerson sales office.
 3. Socketweld available on NPS 1, 1-1/2, and 2 only.
 4. Only butt weld end available.

Table 2. Typical Flow Coefficients⁽¹⁾

DESIGN AND CLASS	VALVE SIZE, NPS	CHARACTERISTIC	MAXIMUM Cv
HP CL1500	1	M-Form Modified Equal Percentage (HPS)	17.1
	2	Linear (HPS)	54.6
	3	Linear (HPS)	127
HP CL900 and CL1500	4	Linear	212
		Modified Equal Percentage	
	6	Linear	469
		Modified Equal Percentage	412
	8	Equal Percentage	449
		Linear	767
	10	Equal Percentage	723
		Linear	973
12	Equal Percentage	949	
	Linear	1337	
HP CL2500	1	M-Form Modified Equal Percentage (HPS)	13.8
	2	Linear (HPS)	40.9
	3	Linear	87
		Modified Equal Percentage	84
	4	Linear	153
		Modified Equal Percentage	130
	6	Linear	324
Modified Equal Percentage		313	
HP CL2500 and CL3200	8	Equal Percentage	582
		Linear	560
	10	Equal Percentage	651
		Linear	682
	12	Equal Percentage	1083
Linear		1232	
HP CL2500	14	Equal Percentage	1238
		Linear	1525
HPA CL1500	1	M-Form Modified Equal Percentage (HPAS)	19.5
	2	Linear (HPAS)	73.6
	3	Linear	64.3
	4	Linear	121
	6	Modified Equal Percentage	203
	8	Linear	425
HPA CL2500	1	M-Form Modified Equal Percentage (HPAS)	14.3
	2	Linear (HPAS)	56.2
		Linear	217
	6	Modified Equal Percentage	203
		Linear	446
	8	Modified Equal Percentage	453
		Linear	1023
12	Modified Equal Percentage	1013	

1. See Catalog 12 for a complete listing of flow coefficients.

Table 3. Increased Pressure/Temperature Ratings for Steel Valves with BWE and SWE Connections⁽¹⁾

Valve Type	Valve Size, NPS	Pressure Rating	Intermediate Rating (ASME B16.34)
Globe Valves	1	CL900 CL1500	1675
		CL2500	2800
	2	CL900 CL1500	1694
		3	CL1500
	4 (long) ⁽²⁾	CL1500	2017
	6 (long) ⁽²⁾	CL1500	1876
	8	CL3200	3200
	10	CL3200	3200
	12	CL3200	3200

1. Contact your [Emerson sales office](#) for further information on intermediate ratings.
2. (Long) indicates industry standard long face-to-face.

Table 4. Shutoff Classifications per ANSI/FCI 70-2 and IEC 60534-4

Valve Design		Port Diameter, mm (Inches)		ANSI/FCI and IEC Leakage Class
HPD, HPAD		57.15 (2.25) and smaller		II
		58.7 (2.3125) to 105.9 (4.17)		II - Standard
				III - Optional
		111.1 (4.375) and larger		III - Standard
				IV - Optional
Valve Size, NPS	Port Diameter, mm (Inches)		Cage Style	ANSI/FCI and IEC Leakage Class
	HPD	HPAD		
HPD, HPAD w/ C-seal trim	3	4	73 (2.875)	V - Standard to 593°C (1100°F) (for port diameters from 73 mm [2.875 inch] through 136.5 mm [5.375 inch] with optional C-seal trim) IV - Optional (for port diameters 73 mm [2.875 inch] through 136.5 mm [5.375 inch])
	4	6	73 (2.875)	
			92.1 (3.625)	
	6	8	111.1 (4.375)	
136.5 (5.375)				
Valve Size, NPS	Port Diameter, mm (Inches)		Cage Style	ANSI/FCI and IEC Leakage Class
	HPD	HPAD		
HPD ⁽²⁾ , HPAD ⁽²⁾ w/ Bore-seal trim	8	---	139.7 (5.5)	V - Standard to 593°C (1100°F) (for port diameters from 139.7 mm [5.5 inch] through 215.9 mm [8.5 inch] with optional Bore-seal trim)
	10	---	152.4 (6)	
			165.1 (6.5)	
	12	12	177.8 (7)	
			165.1 (6.5)	
			190.5 (7.5)	
	14	---	203.2 (8)	
215.9 (8.5)	---	215.9 (8.5)		
HPS, HPAS, HPT, HPAT		All		Cavitrol III and Micro-Flat
				Micro-Form, Micro-Flute, Eq. %, Mod Eq. %, Linear, Whisper III
HPS and HPT w/ TSO (Tight Shutoff trim)		See table 5		TSO - Optional TSO is not an ANSI/FCI or IEC leakage class. Valves with TSO trim are factory tested to a more stringent Fisher test requirement of no leakage at time of shipment. Test medium is water. Specify service ΔP when ordering. Test procedure is ANSI/FCI Class V test procedure B
HPT and HPAT w/ PEEK ⁽¹⁾ Anti-Extrusion Rings		47.6 (1.875) to 215.9 (8.5)		V - Standard (to 316°C [600°F]) IV - Optional (47.6 mm [1.875 inch] through 203.2 mm [8 inch] ports)

1. PEEK (PolyEtherEtherKetone), required for all boiler feedwater applications.
 2. Trims 263, 2635, 264, 2645, 265, and 2655 are not available in bore-seal.

Material Selection Guidelines

Use the following steps as a guideline for the selection of materials:

1. Determine the pressure/temperature rating of the valve body size and material required. Inlet pressure and temperature must always be limited by the applicable ASME pressure/temperature rating.
2. Select the desired trim style from the Available Configurations specification and from table 4, Shutoff Classifications.
3. Select desired materials from tables 7, 9, 12, and 13 and figure 17. The temperature capabilities determined from figure 17 may be further limited by the temperature capabilities of materials selected from tables 7 and 13. Refer to figure 17 to determine

pressure drop limits of the valve body-trim combinations selected.

Installation

The valve must be installed so flow through the valve is as indicated by the flow direction arrow on the valve body. Consideration should be given to installing an upstream strainer, especially if the valve uses a Cavitrol III cage, Whisper Trim III, or WhisperFlo trim.

Overall dimensions are shown in figures 21, 22, and 23. Face-to-face dimensions are in compliance with ANSI/ISA-75.08.05 (long or short), ANSI/ISA-75.08.06 (long or short), or ASME B16.10. Actual end connection dimensions conform to ASME B16.25 for butt-weld ends, to B16.11 for socket welding, and to ASME B16.5 for flanged ends.

Table 5. Port Diameters, Valve Plug Travel, Yoke Boss Diameters for TSO (Tight Shutoff) Trim

VALVE TYPE	TRIM	MAX TRAVEL		YOKE BOSS SIZE		PORT DIAMETER				C _v REDUCTION AT 100% TRAVEL ⁽¹⁾	UNBALANCE AREA
		mm	Inch	mm	Inch	Nominal		Actual TSO			
						mm	Inch	mm	Inch		mm
Balanced Plugs—Flow Down Only											
HPT NPS 3 ⁽²⁾	CAV III 3-Stage	63.5	2.5	90	3-9/16	47.6	1.875	42.9	1.6875	5%	0.031
HPT NPS 4 (long) ⁽³⁾	CAV III 3-Stage	76.2	3	90 127	3-9/16 5	73.0	2.875	68.3	2.6875	2%	0.047
HPT NPS 6 (long) ⁽³⁾	CAV III 3-Stage	102	4	90 127	3-9/16 5	116	4.5625	111	4.375	0%	0.080
	Standard	76.2	3	90 127	3-9/16 5	137	5.375	132	5.1875	4%	0.206
Unbalanced Plugs—Flow Down Only											
HPS NPS 2	CAV III 3-Stage	50.8	2	90	3-9/16	25.4	1	26.2	0.8125	0%	0.785

1. This column lists the percent reduction of published maximum C_v of the trim listed in the TRIM column.
 2. Not available with 5-inch yoke boss.
 3. (Long) indicates industry standard long face-to-face.

Figure 6. Typical Balanced TSO Trim

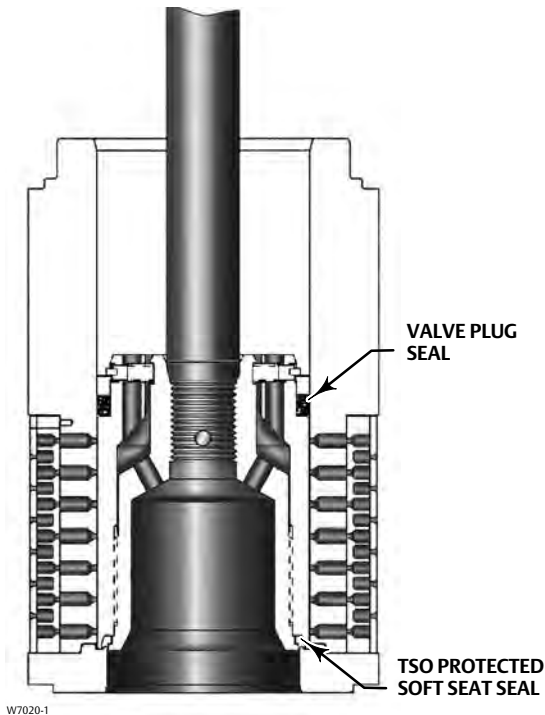
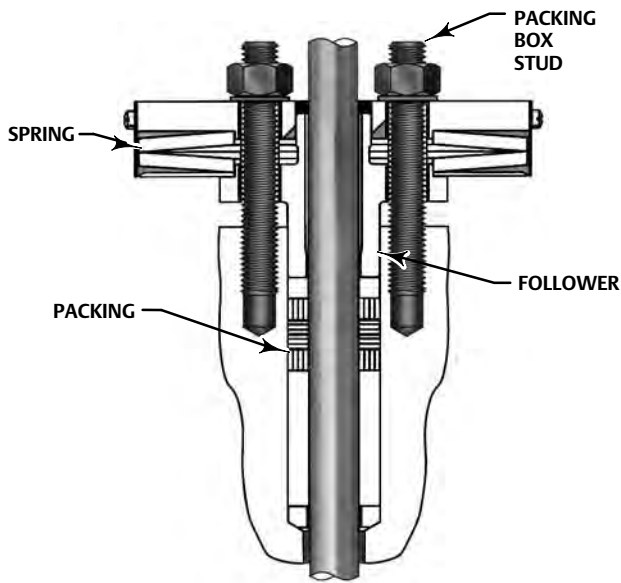
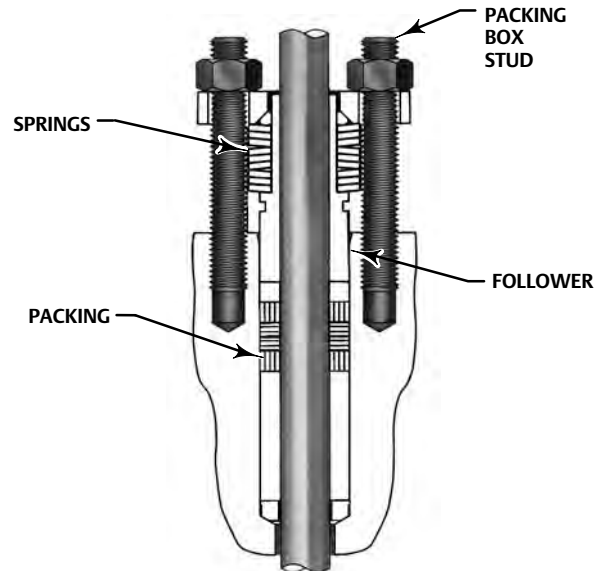


Figure 7. ENVIRO-SEAL and HIGH-SEAL Packing Systems



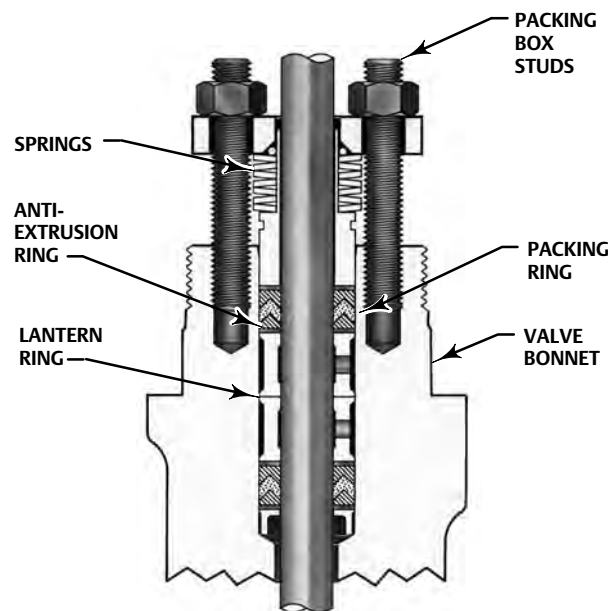
W8533-1

TYPICAL HIGH-SEAL PACKING SYSTEM
WITH GRAPHITE ULF PACKING



W8532-1

TYPICAL ENVIRO-SEAL PACKING SYSTEM
WITH GRAPHITE ULF PACKING



W5803-3

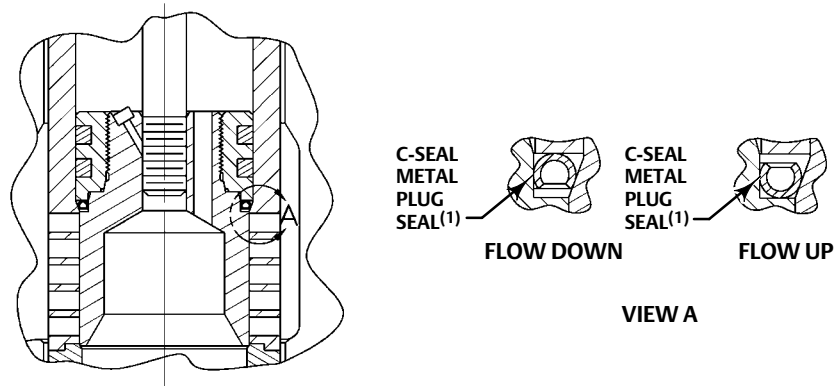
TYPICAL ENVIRO-SEAL PACKING SYSTEM
WITH PTFE PACKING

Table 6. Approximate Weights (Valve and Bonnet Assemblies)

VALVE TYPE	VALVE SIZE, NPS	PRESSURE RATING	KILOGRAMS		POUNDS	
			Flg	SWE, BWE	Flg	SWE, BWE
Globe Valves	1	CL900 and 1500	42	38	93	85
		CL2500	45	34	100	76
	1-1/2 x 2	CL2500	---	34	---	76
		CL900 and 1500	72	52	158	115
	2	CL2500	104	74	229	164
		CL900	125	---	276	---
	3	CL1500	129	97	284	213
		CL2500	228	163	502	358
		CL900	230	---	507	---
	4 (long) ⁽²⁾	CL1500	249	201	548	444
		CL900	167	136	368	---
	4 (short) ⁽²⁾	CL1500	194	162	428	444
		CL2500	321	206	708	444
		CL900	511	---	1127	---
	6 (long) ⁽²⁾	CL1500	557	455	1228	1003
		CL900	317	227	699	500
	6 (short) ⁽²⁾	CL1500	575	269	1268	593
		CL2500	757	481	1669	1060
		CL900	720	510	1587	1124
	8	CL1500	930	640	2050	1411
		CL2500	1630	1050	3594	2315
		CL3200	---	1460	---	3219
		CL900	1030	750	2271	1653
	10	CL1500	1490	1010	3285	2227
CL2500		2560	1550	5644	3417	
CL3200		---	2200	---	4850	
CL900		1340	940	2954	2072	
12	CL1500	1950	1250	4299	2756	
	CL2500	3380	2000	7452	4409	
	CL3200	---	2950	---	6504	
	CL2500	---	2297	---	5064	
Angle Valves	1	CL900 and 1500	40	36	88	80
		CL2500	---	72 ⁽¹⁾	---	160 ⁽¹⁾
	2	CL900 and 1500	69	50	153	110
		CL2500	---	109 ⁽¹⁾	---	240 ⁽¹⁾
	3	CL1500	123	78	272	173
	4	CL1500	181	117	399	258
	6	CL1500	357	202	788	445
		CL2500	658	325	1451	716
	8	CL1500	648	405	1428	893
		CL2500	971	663	2141	1462
12	CL2500	2471	1660	5448	3660	

1. Only SWE is available for CL2500.
2. (Long) indicates industry standard long face-to-face. (Short) indicates industry standard short face-to-face.

Figure 8. C-seal Trim



3781399-A

NOTE:

- 1. Reverse the orientation of the C-seal plug seal for proper shutoff when valve is used in a process with different fluid flow direction.

Figure 9. Bore Seal Trim

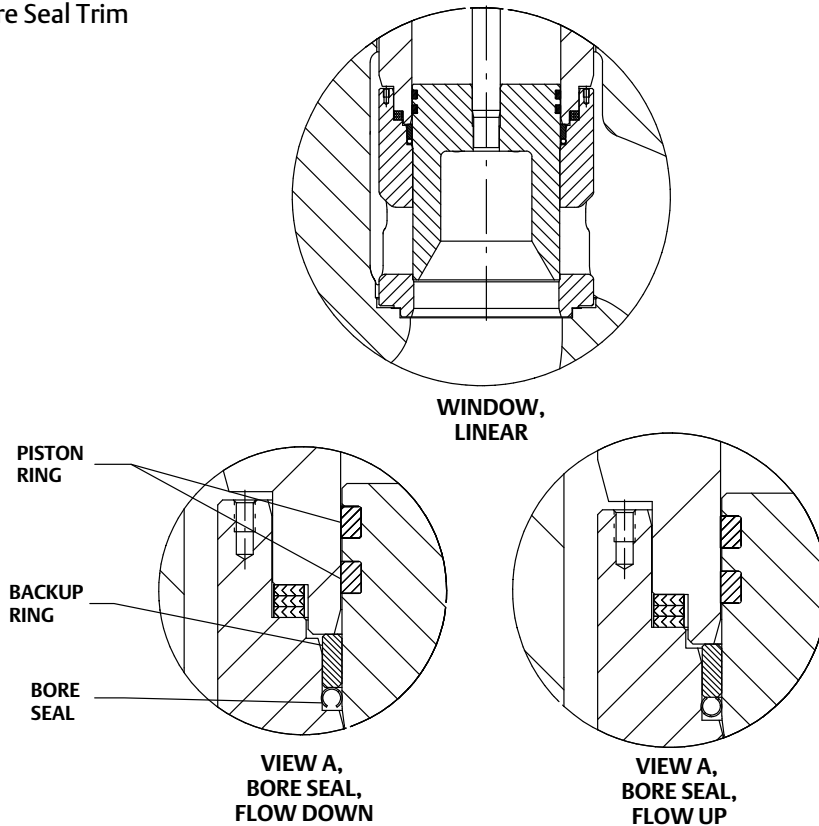


Table 7. Construction Materials and Temperature Capabilities for Parts Other than Valve Body

PART		MATERIAL	TEMPERATURE CAPABILITIES	
			°C	°F
Valve plug, cage, and seat ring		See table 13	See table 13	
Valve plug stem		S20910	-198 to 593	-325 to 1100
		S42200	-29 to 649	-20 to 1200
		S32760	-51 to 316	-60 to 600
HPD piston ring		Graphite (FMS 17F27)	-46 to 427 (to 482 for nonoxidizing service)	-50 to 800 (to 900 for nonoxidizing service)
		Graphite (FMS 17F39) ⁽²⁾	-46 to 538 (to 593 for nonoxidizing service)	-50 to 1000 (to 1100 for nonoxidizing service)
Spring-loaded HPT or HPAT valve plug seal	Backup ring	S41600 (416 SST)	-29 to 427	-20 to 800
		S31600 (316 SST)	-198 to 593	-325 to 1100
	Retaining ring	S30200 (302 SST) N07750 (NACE)	-254 to 593	-425 to 1100
	Seal ring	PTFE with N10276 Spring	-73 to 232 ⁽¹⁾	-100 to 450 ⁽¹⁾
		PTFE with R30003 Spring ⁽³⁾	-73 to 316	-100 to 600
Anti-extrusion rings	PEEK (PolyEtherEtherKetone)	-73 to 316	-100 to 600	
Cage gasket		N06600/Graphite	-240 to 593	-400 to 1100
TSO protected soft seat seal		Carbon-filled PTFE	-73 to 232	-100 to 450
Seat ring gasket		N06600/Graphite	-240 to 593	-400 to 1100
		S31600/Graphite	-240 to 593	-400 to 1100
Packing		PTFE V-ring	-46 to 232	-50 to 450
		Graphite ribbon filament (oxidizing service to 371 °C [700 °F])	-254 to 538	-425 to 1000
		Graphite ribbon (high-temperature oxidizing service)	371 to 593	700 to 1100
Packing follower, spring, or lantern ring		S31600 stainless steel	-254 to 593	-425 to 1100
Packing box ring		S31600 stainless steel	-254 to 593	-425 to 1100
Packing flange, studs, or nuts		Steel	-29 to 427	-20 to 800
		S31600 stainless steel	-198 to 593	-325 to 1100

1. If used with PEEK anti-extrusion rings, PTFE/carbon seal ring may be used in temperatures up to 316°C (600°F) for non-oxidizing service or up to 260°C (500°F) for oxidizing service.
2. NPS 8, 10, 12 HPD and HPT come standard with Graphite (FMS 17F39) piston ring.
3. Only offered in NPS 8, 10 and 12 HPT.

Table 8. Construction Materials and Temperature Capabilities for Valve Body-to-Bonnet Bolting (Face-to-Face Structure)

VALVE TYPE	STUDS / NUTS	LONG				SHORT			
		VALVE BODY MATERIAL	VALVE SIZE, NPS	TEMPERATURE CAPABILITIES		VALVE BODY MATERIAL	VALVE SIZE, NPS	TEMPERATURE CAPABILITIES	
				°C	°F			°C	°F
Globe	Steel SA193-B7 NCF2 (all valve body materials) Steel SA194-2H NCF2 (all valve body materials)	WCC and WC9	1 to 6	-29 to 427	-20 to 800	WCC and WC9	3 to 14	-29 to 427	-20 to 800
		LCC	1 to 6	-46 to 343	-50 to 650	LCC	3 to 14	-46 to 343	-50 to 650
		CF8M	1 to 6	-48 to 427 ⁽²⁾	-55 to 800 ⁽²⁾	CF8M and CF8C	3 to 14	-29 to 316	-20 to 600
	Steel SA193-B7M NCF2 for sour service ⁽³⁾ Steel SA194-2HM NCF2 for sour service	WCC	1 to 6	-29 to 427	-20 to 800	WCC and WC9	3 to 14	-29 to 427	-20 to 800
		LCC	1 to 6	-46 to 343	-50 to 650	LCC	3 to 14	-46 to 343	-50 to 650
		CF8M	1 to 6	-29 to 427	-20 to 800	CF8M and CF8C	3 to 14	-29 to 260	-20 to 500
	Steel SA193-B16 Steel SA194-7	WC9	1 to 6	-29 to 538	-20 to 1000	WC9	3 to 14	-29 to 510	-20 to 950
		C12A	1 to 6	-29 to 510	-20 to 950				
		WCC	1 to 6	-29 to 427	-20 to 800	WCC	3 to 14	-29 to 427	-20 to 800
		LCC	1 to 6	-46 to 343	-50 to 650	LCC	3 to 14	-46 to 343	-50 to 650
	N07718 SST (SB637) ⁽¹⁾ Steel SA194-7	WC9	1 to 6	-29 to 566	-20 to 1050	WC9	3 to 14	-29 to 566	-20 to 1050
		C12A	1 to 6	-29 to 593	-20 to 1100	C12A	3 to 14	-29 to 593	-20 to 1100
	S31600 stainless steel SA193-B8M Class 2 S31600 stainless steel SA194-8M	CF8M	1 to 3	-198 to 427	-325 to 800	---	---	---	---
S31600 Stainless steel SA193-B8M2 Class 2B ⁽³⁾ S31600 Stainless Steel SA194-8M	---	---	---	---	CF8M and CF8C	3 to 14	-198 to 566	-325 to 1050	
S20910 SST (SA479-XM-19) ⁽¹⁾ Steel SA194-7	CF8M	1 to 6	-198 to 538	-325 to 1000	CF8M and CF8C	3 to 14	-198 to 566	-325 to 1050	
Angle	Steel SA193-B7 NCF2 (all valve body materials) Steel SA194-2H NCF2 (all valve body materials)	WCC and WC9	1 to 8	-29 to 427	-20 to 800	WCC and WC9	6, 8, 12	-29 to 427	-20 to 800
		LCC	1 to 8	-46 to 343	-50 to 650	LCC	6, 8, 12	-46 to 343	-50 to 650
		CF8M	1 to 8	-48 to 427	-55 to 800	CF8M and CF8C	6, 8, 12	-29 to 316	-20 to 600
	Steel SA193-B7M NCF2 for sour service ⁽³⁾ Steel SA194-2HM NCF2 for sour service	WCC	1 to 8	-29 to 427	-20 to 800	WCC and WC9	6, 8, 12	-29 to 427	-20 to 800
		LCC	1 to 8	-46 to 343	-50 to 650	LCC	6, 8, 12	-46 to 343	-50 to 650
		CF8M	1 to 8	-48 to 427	-55 to 800	CF8M and CF8C	6, 8, 12	-46 to 260	-20 to 500
	Steel SA193-B16 Steel SA194-7	WCC	1 to 8	-29 to 427	-20 to 800	WC9	6, 8, 12	-29 to 427	-20 to 800
		WC9	1 to 8	-29 to 538	-20 to 1000				
		C12A	1 to 6	-29 to 510	-20 to 950	LCC	6, 8, 12	-46 to 343	-50 to 650
		LCC	3 and 4	-46 to 343	-50 to 650				
	N07718 SST (SB637) ⁽¹⁾ Steel SA194-7	WC9	1 to 8	-29 to 566	-20 to 1050	WC9	6, 8, 12	-29 to 566	-20 to 1050
		C12A	1 to 8	-29 to 593	-20 to 1100	C12A	6, 8, 12	-29 to 593	-20 to 1100
	S31600 stainless steel SA193-B8M Class 2 S31600 stainless steel SA194-8M	CF8M	1 to 4	-29 to 427	-20 to 800	---	---	---	---
S31600 Stainless Steel SA193-B8M2 Class 2B ⁽³⁾ S31600 Stainless Steel SA194-8M	---	---	---	---	CF8M and CF8C	6, 8, 12	-198 to 566	-325 to 1050	
S20910 SST (SA479-XM-19) ⁽¹⁾ Steel SA194-7	CF8M	1 to 4	-198 to 538	-325 to 1000	CF8M and CF8C	6, 8, 12	-198 to 566	-325 to 1050	

1. These stud materials are not listed in ASME B16.34.
2. Steel studs and nuts with NCF (non-corroding finish) coating are used with NPS 4 and 6 CF8M valve bodies.
3. Short HP constructions are derated with this bolt material. Consult your [Emerson sales office](#) for information.

Table 9. Additional Globe Valve Specifications CL900 through CL1500

VALVE SIZE, NPS	VALVE BODY DESIGN AND PLUG STYLE	FLOW CHARACTERISTIC	PORT DIAMETER		VALVE PLUG TRAVEL		VALVE STEM DIAMETER	
			mm	Inches	mm	Inches	mm	Inches
1	HPS Micro-Flute	Equal percentage	6.4	0.25	19	0.75	12.7	1/2
			9.53	0.375	19	0.75	12.7	1/2
			12.7	0.50	19	0.75	12.7	1/2
	HPS Micro-Form	Equal percentage	6.4	0.25	19	0.75	12.7	1/2
			12.7	0.50	19	0.75	12.7	1/2
			19.1	0.75	19	0.75	12.7, 19.1	1/2, 3/4
		Modified equal percentage	25.4	1	19	0.75	12.7, 19.1	1/2, 3/4
			12.7	0.50	29	1.125	12.7	1/2
			19.1	0.75	29	1.125	12.7, 19.1	1/2, 3/4
	HPS Micro-Flat	Linear (Cage Style: Cavitrol III, 2-stage)	25.4	1	29	1.125	12.7	1/2
			22.2	0.875	19	0.75	12.7	1/2
			25.4	1	38	1.5	12.7, 19.1	1/2, 3/4
HPS Standard		22.2	0.875	38	1.5	12.7, 19.1	1/2, 3/4	
2	HPS Micro-Form	Equal percentage	6.4	0.25	19	0.75	12.7	1/2
			12.7	0.50	19	0.75	12.7	1/2
			19.1	0.75	19	0.75	12.7, 19.1	1/2, 3/4
		Modified equal percentage	12.7	0.50	29	1.125	12.7, 19.1	1/2, 3/4
			19.1	0.75	29	1.125	12.7, 19.1	1/2, 3/4
			25.4	1	29	1.125	12.7, 19.1, 25.4	1/2, 3/4, 1
			31.8	1.25	29	1.125	12.7, 19.1, 25.4	1/2, 3/4, 1
	HPS Micro-Flat	Linear (Cage Style: Cavitrol III, 2-stage)	25.4	1	38	1.5	19.1	3/4
			15.88	0.625	31.7	1.3	19.1	3/4
		Linear (Cage Style: Cavitrol III, 3-stage)	25.4	1	38	1.5	19.1	3/4
			25.4	1	63.5	2.5	19.1	3/4
	HPS Standard	Equal percentage	47.6	1.875	29	1.125	12.7, 19.1, 25.4	1/2, 3/4, 1
		Modified equal percentage	47.6	1.875	38	1.5	12.7, 19.1, 25.4	1/2, 3/4, 1
		Linear (Cage Style: Standard)	47.6	1.875	38	1.5	12.7, 19.1, 25.4	1/2, 3/4, 1
		Linear (Cage Style: Whisper Trim III, Level A1)	47.6	1.875	38	1.5	12.7, 19.1, 25.4	1/2, 3/4, 1
		Linear (Cage Style: Cavitrol III, 3-stage)	25.4	1	51	2	19.1	3/4
	HPD	Equal percentage	47.6	1.875	29	1.125	12.7, 19.1	1/2, 3/4
		Modified equal percentage	47.6	1.875	38	1.5	12.7, 19.1	1/2, 3/4
		Linear (Cage Style: Standard)	47.6	1.875	38	1.5	12.7, 19.1	1/2, 3/4
		Linear (Cage Style: Whisper Trim III, Level A1)	47.6	1.875	38	1.5	12.7, 19.1	1/2, 3/4
	HPT	Equal percentage	47.6	1.875	29	1.125	12.7, 19.1	1/2, 3/4
		Linear (Cage Style: Standard)	47.6	1.875	38	1.5	12.7, 19.1	1/2, 3/4
		Linear (Cage Style: Whisper Trim III, Level A1)	47.6	1.875	38	1.5	12.7, 19.1	1/2, 3/4
		Modified equal percentage	47.6	1.875	38	1.5	12.7, 19.1	1/2, 3/4
Linear (Cage Style: Cavitrol III, 2-stage)		44.5	1.750	51	2	12.7, 19.1	1/2, 3/4	

-continued-

Table 9. Additional Globe Valve Specifications CL900 through CL1500 (continued)

VALVE SIZE, NPS	VALVE BODY DESIGN AND PLUG STYLE	FLOW CHARACTERISTIC	PORT DIAMETER		VALVE PLUG TRAVEL		VALVE STEM DIAMETER	
			mm	Inches	mm	Inches	mm	Inches
3	HPS	Linear	73	2.875	51	2.0	19.1, 25.4	3/4, 1
		Modified equal percentage	73	2.875	51	2.0	19.1, 25.4	3/4, 1
		Whisper III, Level A1, B1	73	2.875	50	2.0	19.1, 25.4	3/4, 1
	HPD	Equal percentage	73	2.875	38	1.5	12.7, 19.1, 25.4	1/2, 3/4, 1
		Modified equal percentage	73	2.875	51	2	12.7, 19.1, 25.4	1/2, 3/4, 1
		Linear (Cage Style: Standard)	73	2.875	51	2	12.7, 19.1, 25.4	1/2, 3/4, 1
		Linear (Cage Style: Whisper Trim III, Level A1, B1)	73	2.875	51	2	12.7, 19.1, 25.4	1/2, 3/4, 1
		Linear (Cage Style: Whisper Trim III, Level D3)	47.6	1.875	51	2	12.7, 19.1, 25.4	1/2, 3/4, 1
		Linear (Cage Style: Cavitrol III, 2-stage)	63.5	2.50	64	2.50	19.1, 25.4	3/4, 1
	HPT	Equal percentage	73	2.875	38	1.5	12.7, 19.1, 25.4	1/2, 3/4, 1
		Modified equal percentage	73	2.875	51	2	12.7, 19.1, 25.4	1/2, 3/4, 1
		Linear (Cage Style: Standard)	73	2.875	51	2	12.7, 19.1, 25.4	1/2, 3/4, 1
		Linear (Cage Style: Whisper Trim III, Level A1, B1)	73	2.875	51	2	12.7, 19.1, 25.4	1/2, 3/4, 1
		Linear (Cage Style: Whisper Trim III, Level D3)	47.6	1.875	51	2	12.7, 19.1, 25.4	1/2, 3/4, 1
		Linear (Cage Style: Cavitrol III, 2-stage)	47.6	1.875	64	2.50	19.1, 25.4	3/4, 1
		Linear (Cage Style: Cavitrol III, 3-stage)	42.86	1.688	64	2.50	19.1	3/4
			47.6	1.875	88.9	3.50	19.1	3/4
4	HPD	Equal percentage	92.1	3.625	38	1.5	19.1, 25.4	3/4, 1
		Modified equal percentage	91.4	3.60	51	2	19.1, 25.4	3/4, 1
			92.1	3.625	51	2	19.1, 25.4	3/4, 1
		Linear (Cage Style: Standard)	91.4	3.60	51	2	19.1, 25.4	3/4, 1
			92.1	3.625	51	2	19.1, 25.4	3/4, 1
		Linear (Cage Style: Whisper Trim III, Level A1, A3, B1, B3, C1, C3)	92.4	3.60	51	2	19.1, 25.4	3/4, 1
		Linear (Cage Style: Whisper Trim III, Level A1, B3, C3)	92.1	3.625	51	2	19.1, 25.4	3/4, 1
	Linear (Cage Style: Whisper Trim III, Level D3)	73	2.875	51	2	19.1, 25.4	3/4, 1	
	HPT	Equal percentage	92.1	3.625	38	1.5	19.1, 25.4	3/4, 1
		Modified equal percentage	91.4	3.60	51	2	19.1, 25.4	3/4, 1
			92.1	3.625	51	2	19.1, 25.4	3/4, 1
		Linear (Cage Style: Standard)	91.4	3.60	51	2	19.1, 25.4	3/4, 1
			92.1	3.625	51	2	19.1, 25.4	3/4, 1
		Linear (Cage Style: Whisper Trim III, Level A1, A3, B1, B3, C1, C3)	92.4	3.60	51	2	19.1, 25.4	3/4, 1
		Linear (Cage Style: Whisper Trim III, Level A1, B3, C3)	92.1	3.625	51	2	19.1, 25.4	3/4, 1
		Linear (Cage Style: Whisper Trim III, Level D3)	73	2.875	51	2	19.1, 25.4	3/4, 1
		Linear (Cage Style: Cavitrol III, 2-stage)	91.4	3.60	51	2	19.1, 25.4	3/4, 1
			72.39	2.85	76	3	25.4	1
87.3			3.4375	76	3	19.1, 25.4	3/4, 1	
68.262	2.6875		76	3	19.1, 25.4	3/4, 1		
Linear (Cage Style: Cavitrol III, 3-stage)	73	2.875	76	3	19.1, 25.4	3/4, 1		

-continued-

Table 9. Additional Globe Valve Specifications CL900 through CL1500 (continued)

VALVE SIZE, NPS	VALVE BODY DESIGN AND PLUG STYLE	FLOW CHARACTERISTIC	PORT DIAMETER		VALVE PLUG TRAVEL		VALVE STEM DIAMETER	
			mm	Inches	mm	Inches	mm	Inches
6	HPD, HPT	Equal percentage	136.5	5.375	64	2.50	19.1, 25.4, 31.8	3/4, 1, 1-1/4
		Modified equal percentage ⁽¹⁾	136.5	5.375	76	3	19.1, 25.4, 31.8	3/4, 1, 1-1/4
			137.2	5.400	76	3	19.1, 25.4, 31.8	3/4, 1, 1-1/4
		Linear (Cage Style: Standard)	136.5	5.375	76	3	19.1, 25.4, 31.8	3/4, 1, 1-1/4
			137.2	5.400	76	3	19.1, 25.4, 31.8	3/4, 1, 1-1/4
		Linear (Cage Style: Whisper Trim III, Level A1, B3, C3)	136.6	5.375	76	3	25.4, 31.8	1, 1-1/4
		Linear (Cage Style: Whisper Trim III, Level A1, A3, B1, B3, C1, C3)	137.2	5.40	76	3	19.1, 25.4, 31.8	3/4, 1, 1-1/4
		Linear (Cage Style: Whisper Trim III, Level D3)	111.1	4.375	76	3	25.4, 31.8	1, 1-1/4
		Linear (Cage Style: Cavitrol III, 2-stage) (HPT only)	118.36	4.66	102	4	31.8	1-1/4
			133.35	5.25	102	4	19.1, 25.4, 31.8	3/4, 1, 1-1/4
Linear (Cage Style: Cavitrol III, 3-stage) (HPT only)	137.2	5.40	76	3	25.4, 31.8	1, 1-1/4		
	100.83	3.97	102	4	31.8	1-1/4		
8	HPD, HPT	Equal percentage	152.4	6.00	76.2	3	25.4, 31.8	1, 1-1/4
		Linear (Cage Style: Standard)	152.4	6.00	76.2	3	25.4, 31.8	1, 1-1/4
		Linear (Cage Style: Whisper Trim III, Level A1, A3)	152.4	6.00	101.6	4	25.4, 31.8	1, 1-1/4
		Linear (Cage Style: Whisper Trim III, Level B1, B3, C1, C3, D3)	152.4	6.00	127	5	25.4, 31.8	1, 1-1/4
		Linear (Cage Style: Cavitrol III, 2-stage)	152.4	6.00	127	5	25.4, 31.8	1, 1-1/4
		Linear (Cage Style: Cavitrol III, 3-stage)	152.4	6.00	127	5	25.4, 31.8	1, 1-1/4
10	HPD, HPT	Equal percentage	177.8	7.00	101.6	4	25.4, 31.8	1, 1-1/4
		Linear (Cage Style: Standard)	177.8	7.00	101.6	4	25.4, 31.8	1, 1-1/4
		Linear (Cage Style: Whisper Trim III, Level A1, A3)	177.8	7.00	101.6	4	25.4, 31.8	1, 1-1/4
		Linear (Cage Style: Whisper Trim III, Level B1, B3, C1, C3, D3)	177.8	7.00	127	5	25.4, 31.8	1, 1-1/4
		Linear (Cage Style: Cavitrol III, 2-stage)	177.8	7.00	127	5	25.4, 31.8	1, 1-1/4
		Linear (Cage Style: Cavitrol III, 3-stage)	177.8	7.00	127	5	25.4, 31.8	1, 1-1/4

-continued-

Table 9. Additional Globe Valve Specifications CL900 through CL1500 (continued)

VALVE SIZE, NPS	VALVE BODY DESIGN AND PLUG STYLE	FLOW CHARACTERISTIC	PORT DIAMETER		VALVE PLUG TRAVEL		VALVE STEM DIAMETER	
			mm	Inches	mm	Inches	mm	Inches
12	HPD, HPT	Equal percentage	203.2	8.00	101.6	4	CL900 25.4, 31.8 CL1500 25.4, 31.8, 50.8	CL900 1, 1-1/4 CL1500 1, 1-1/4, 2
		Linear (Cage Style: Standard)	203.2	8.00	101.6	4	CL900 25.4, 31.8 CL1500 25.4, 31.8, 50.8	CL900 1, 1-1/4 CL1500 1, 1-1/4, 2
		Linear (Cage Style: Whisper Trim III, Level A1, A3)	203.2	8.00	127	5	CL900 25.4, 31.8 CL1500 25.4, 31.8, 50.8	CL900 1, 1-1/4 CL1500 1, 1-1/4, 2
		Linear (Cage Style: Whisper Trim III, Level B1, B3, C1, C3, D3)	203.2	8.00	152.4	6	CL900 25.4, 31.8 CL1500 25.4, 31.8, 50.8	CL900 1, 1-1/4 CL1500 1, 1-1/4, 2
		Linear (Cage Style: Cavitrol III, 2-stage)	203.2	8.00	152.4	6	CL900 25.4, 31.8 CL1500 25.4, 31.8, 50.8	CL900 1, 1-1/4 CL1500 1, 1-1/4, 2
		Linear (Cage Style: Cavitrol III, 3-stage)	203.2	8.00	152.4	6	CL900 25.4, 31.8 CL1500 25.4, 31.8, 50.8	CL900 1, 1-1/4 CL1500 1, 1-1/4, 2

1. The first 75% is equal percentage.

Table 10. Globe Valve Specifications for CL2500 through CL3200

VALVE SIZE, NPS	VALVE BODY DESIGN AND PLUG STYLE	FLOW CHARACTERISTIC	PORT DIAMETER		VALVE PLUG TRAVEL		VALVE STEM DIAMETER	
			mm	Inches	mm	Inches	mm	Inches
1	HPS Micro-Flute	Equal percentage	6.4	0.25	19	0.75	12.7	1/2
			9.525	0.375	19	0.75	12.7	1/2
			12.7	0.50	19	0.75	12.7	1/2
	HPS Micro-Form	Equal percentage	6.4	0.25	19	0.75	12.7	1/2
			12.7	0.50	19	0.75	12.7	1/2
		Modified equal percentage	19.1	0.75	19	0.75	12.7, 19.1	1/2, 3/4
			19.1	0.75	29	1.125	12.7, 19.1	1/2, 3/4
	25.4	1	29	1.125	12.7, 19.1	1/2, 3/4		
	HPS Micro-Flat	Linear (Cage Style: Cavitrol III, 2-stage)	22.2	0.875	38	1.5	12.7, 19.1	1/2, 3/4
2	HPS Micro-Flute	Linear (Cage Style: Cavitrol III, 2-stage)	25.4	1	38	1.5	12.7, 19.1	1/2, 3/4
			15.875	0.625	31.8	1.25	19.1	3/4
			25.4	1	38.64	1.5, 2.5	19.1	3/4
	HPS Micro-Form	Equal percentage	6.4	0.25	19	0.75	12.7	1/2
			12.7	0.5	19	0.75		
		Modified equal percentage	19.1	0.75	19	0.75	12.7, 19.1	1/2, 3/4
			25.4	1	29	1.125	12.7, 19.1, 25.4	1/2, 3/4, 1
			31.8	1.25	29	1.125	12.7, 19.1, 25.4	1/2, 3/4, 1
	38.1	1.5	38	1.5	12.7, 19.1, 25.4	1/2, 3/4, 1		
	HPS Standard	Equal percentage	47.6	1.875	25.4	1	12.7, 19.1, 25.4	1/2, 3/4, 1
			47.6	1.875	29	1.125	12.7, 19.1, 25.4	1/2, 3/4, 1
		Modified equal percentage	47.6	1.875	25.4	1	12.7, 19.1, 25.4	1/2, 3/4, 1
			47.6	1.875	38	1.50	12.7, 19.1	1/2, 3/4
			47.6	1.875	38	1.50	12.7, 19.1	1/2, 3/4
	HPD	Equal percentage	47.6	1.875	25.4	1	12.7, 19.1	1/2, 3/4
			47.6	1.875	29	1.125	12.7, 19.1	1/2, 3/4
		Modified equal percentage	47.6	1.875	25.4	1	12.7, 19.1	1/2, 3/4
			47.6	1.875	38	1.5	12.7, 19.1	1/2, 3/4
			47.6	1.875	38	1.5	12.7, 19.1	1/2, 3/4
	HPT	Equal percentage	47.6	1.875	25.4	1	12.7, 19.1	1/2, 3/4
47.6			1.875	29	1.125	12.7, 19.1	1/2, 3/4	
Modified equal percentage		47.6	1.875	25.4	1	12.7, 19.1	1/2, 3/4	
		47.6	1.875	38	1.5	12.7, 19.1	1/2, 3/4	
		47.6	1.875	38	1.5	12.7, 19.1	1/2, 3/4	
44.5	1.75	51	2	12.7, 19.1	1/2, 3/4			

-continued-

Table 10. Globe Valve Specifications for CL2500 through CL3200 (continued)

VALVE SIZE, NPS	VALVE BODY DESIGN AND PLUG STYLE	FLOW CHARACTERISTIC	PORT DIAMETER		VALVE PLUG TRAVEL		VALVE STEM DIAMETER	
			mm	Inches	mm	Inches	mm	Inches
3	HPS	Linear (Cage Style: Standard)	57.15	2.25	38	1.5	19.1, 25.4	3/4, 1
		Modified equal percentage	57.15	2.25	38	1.5	19.1, 25.4	3/4, 1
		Linear (Cage Style: Whisper Trim III, Level A1, A3, B1, B3, C1, C3)	57.15	2.25	38	1.5	19.1, 25.4	3/4, 1
		Linear (Cage Style: Whisper Trim III, Level D3)	35	1.375	51	2	19.1, 25.4	3/4, 1
	HPD, HPT	Modified equal percentage	57.15	2.25	38	1.5	12.7, 19.1, 25.4	1/2, 3/4, 1
		Linear (Cage Style: Standard)	57.15	2.25	38	1.5	12.7, 19.1, 25.4	1/2, 3/4, 1
		Linear (Cage Style: Whisper Trim III, Level A1, A3, B1, B3, C1, C3)	57.15	2.25	38	1.5	12.7, 19.1, 25.4	1/2, 3/4, 1
		Linear (Cage Style: Whisper Trim III, Level D3)	35	1.375	51	2	19.1, 25.4	3/4, 1
		Linear (Cage Style: Cavitrol III, 2-stage)	57.15	2.25	64	2.5	19.1, 25.4	3/4, 1
		Linear (Cage Style: Cavitrol III, 3-stage)	35	1.375	64	2.5	19.1, 25.4	3/4, 1
4	HPS	Linear (Cage Style: Whisper Trim III, Level D3)	57.15	2.250	51	2.0	19.1, 25.4	3/4, 1
	HPD, HPT	Modified equal percentage	73.7	2.90	51	2	19.1, 25.4	3/4, 1
		Linear (Cage Style: Standard)	73.7	2.90	51	2	19.1, 25.4	3/4, 1
		Linear (Cage Style: Whisper Trim III, Level A1, A3, B1, B3, C1, C3)	73.7	2.90	51	2	19.1, 25.4	3/4, 1
		Linear (Cage Style: Whisper Trim III, Level D3)	57.15	2.25	51	2	19.1, 25.4	3/4, 1
		Linear (Cage Style: Cavitrol III, 2-stage)	73.7	2.90	69.9	2.75	25.4	1
		Linear (Cage Style: Cavitrol III, 3-stage)	57.15	2.25	69.9	2.75	19.1, 25.4	3/4, 1
6	HPD, HPT	Modified equal percentage	105.9	4.17	76	3	19.1, 25.4, 31.8	3/4, 1, 1-1/4
		Linear (Cage Style: Standard)	105.9	4.17	76	3	19.1, 25.4, 31.8	3/4, 1, 1-1/4
		Linear (Cage Style: Whisper Trim III, Level A1, A3, B1, B3, C1, C3)	105.9	4.17	76	3	19.1, 25.4, 31.8	3/4, 1, 1-1/4
		Linear (Cage Style: Whisper Trim III, Level D3)	105.9	4.17	76	3	19.1, 25.4, 31.8	3/4, 1, 1-1/4
		Linear (Cage Style: Cavitrol III, 2-stage)	105.9	4.17	95.3	3.75	25.4, 31.8	1, 1-1/4
		Linear (Cage Style: Cavitrol III, 3-stage)	105.9	4.17	95.3	3.75	25.4, 31.8	1, 1-1/4
8(1)	HPD, HPT	Equal percentage	139.7	5.50	76.2	3	31.8	1-1/4
		Linear (Cage Style: Standard)	139.7	5.50	76.2	3	31.8	1-1/4
		Linear (Cage Style: Whisper Trim III, Level A1, A3)	139.7	5.50	101.6	4	31.8	1-1/4
		Linear (Cage Style: Whisper Trim III, Level B1, B3, C1, C3, D3)	139.7	5.50	127	5	31.8	1-1/4
		Linear (Cage Style: Cavitrol III, 2-stage)	139.7	5.50	127	5	31.8	1-1/4
		Linear (Cage Style: Cavitrol III, 3-stage)	139.7	5.50	127	5	31.8	1-1/4

-continued-

Table 10. Globe Valve Specifications for CL2500 through CL3200 (continued)

VALVE SIZE, NPS	VALVE BODY DESIGN AND PLUG STYLE	FLOW CHARACTERISTIC	PORT DIAMETER		VALVE PLUG TRAVEL		VALVE STEM DIAMETER	
			mm	Inches	mm	Inches	mm	Inches
10 ⁽¹⁾	HPD, HPT	Equal percentage	165.1	6.50	101.6	4	31.8	1-1/4
		Linear (Cage Style: Standard)	165.1	6.50	76.2	3	31.8	1-1/4
		Linear (Cage Style: Whisper Trim III, Level A1, A3)	165.1	6.50	101.6	4	31.8	1-1/4
		Linear (Cage Style: Whisper Trim III, Level B1, B3, C1, C3, D3)	165.1	6.50	127	5	31.8	1-1/4
		Linear (Cage Style: Cavitrol III, 2-stage)	165.1	6.50	127	5	31.8	1-1/4
		Linear (Cage Style: Cavitrol III, 3-stage)	165.1	6.50	127	5	31.8	1-1/4
12 ⁽¹⁾	HPD, HPT	Equal percentage	190.5	7.50	127	5	32.75, 50.8	1-1/4, 2
		Linear (Cage Style: Standard)	190.5	7.50	127	5	32.75, 50.8	1-1/4, 2
		Linear (Cage Style: Whisper Trim III, Level A1, A3)	190.5	7.50	127	5	32.75, 50.8	1-1/4, 2
		Linear (Cage Style: Whisper Trim III, Level B1, B3, C1, C3, D3)	190.5	7.50	152.4	6	32.75, 50.8	1-1/4, 2
		Linear (Cage Style: Cavitrol III, 2-stage)	190.5	7.50	152.4	6	32.75, 50.8	1-1/4, 2
		Linear (Cage Style: Cavitrol III, 3-stage)	190.5	7.50	152.4	6	32.75, 50.8	1-1/4, 2
14	HPD, HPT	Equal percentage	215.9	8.50	127	5	32.75, 50.8	1-1/4, 2
		Linear (Cage Style: Standard)	215.9	8.50	127	5	32.75, 50.8	1-1/4, 2
		Linear (Cage Style: Whisper Trim III, Level A1, A3)	215.9	8.50	127	5	32.75, 50.8	1-1/4, 2
		Linear (Cage Style: Whisper Trim III, Level B1, B3, C1, C3, D3)	215.9	8.50	152.4	6	32.75, 50.8	1-1/4, 2
		Linear (Cage Style: Cavitrol III, 2-stage)	215.9	8.50	152.4	6	32.75, 50.8	1-1/4, 2
		Linear (Cage Style: Cavitrol III, 3-stage)	215.9	8.50	152.4	6	32.75, 50.8	1-1/4, 2

1. Includes CL3200 intermediate rating.

Table 11. Globe and Angle Valve Yoke Boss and Valve Stem Diameter Combinations⁽¹⁾

VALVE SIZE, NPS	STANDARD DIAMETERS				OPTIONAL DIAMETERS			
	mm		Inches		mm		Inches	
	Stem	Yoke Boss	Stem	Yoke Boss	Stem	Yoke Boss	Stem	Yoke Boss
1	12.7	71	0.5	2-13/16	19.1	90	0.75	3-9/16
2	12.7	71	0.5	2-13/16	25.4	127	1	5
	19.1	90	0.75	3-9/16				
3	19.1	90	0.75	3-9/16	12.7	71	0.5	2-13/16
					25.4	127	1	5
4	19.1	90	0.75	3-9/16	25.4	127	1	5
6	25.4	127	1	5	19.1	71	0.75	3-9/16
	31.8	127	1.25	5				
6 ⁽²⁾	19.1	90	0.75	3-9/16	25.4	127	1	5
8 ⁽²⁾	25.4	127	1	5	19.1	71	0.75	3-9/16
	31.75	127	1.25	5H				
8	31.75	127	1.25	5H	25.4	127	1	5
					50.8	177.8	2	7
10	31.75	127	1.25	5H	25.4	127	1	5
					50.8	177.8	2	7
12	31.75	127	1.25	5H	25.4	127	1	5
					50.8	177.8	2	7
12 ⁽²⁾	31.75	127	1.25	5H	---	---	---	---
14	31.75	127	1.25	5H	50.8	177.8	2	7

1. See tables 9, 10, and 12 for valve stem diameters available for specific constructions.
2. Angle valve construction only (HPAD, HPAT).

Table 12. Additional Angle Valve Specifications

VALVE SIZE, NPS	VALVE BODY DESIGN AND PLUG STYLE	FLOW CHARACTERISTIC	FLOW DIRECTION	PORT DIAMETER		VALVE PLUG TRAVEL		VALVE STEM DIAMETER	
				mm	Inches	mm	Inches	mm	Inches
1	HPAS w/Micro-Flute	Equal percentage	Up ⁽²⁾	6.4	0.25	19	0.75	12.7	1/2
				9.5	0.375	19	0.75	12.7	1/2
				12.7	0.5	19	0.75	12.7	1/2
	HPAS w/Micro-Form		Up	6.4	0.25	19	0.75	12.7	1/2
				12.7	0.5	19	0.75	12.7	1/2
				19.1	0.75	19	0.75	12.7, 19.1	1/2, 3/4
	HPAS, equal percentage characterized cage		Down	19.1	0.75	19	0.75	12.7, 19.1	1/2, 3/4
25.4		1		19	0.75	12.7, 19.1	1/2, 3/4		
HPAS w/Micro-Form	Modified equal percentage	Up	12.7	0.5	29	1.125	12.7, 19.1	1/2, 3/4	
			19.1	0.75	29	1.125	12.7, 19.1	1/2, 3/4	
HPAS	Down	19.1	0.75	29	1.125	12.7, 19.1	1/2, 3/4		
HPAS w/ Micro-Flat		Linear (cage style: Std)	9.5	0.375	19	0.75	12.7	1/2	
HPAS	12.7		0.5	19	0.75	12.7	1/2		
	19.1		0.75	19	0.75	19.1	3/4		
HPAS	Linear (cage style: Cavitrol III, 2-stage)	Down	22.2	0.875	38	1.5	12.7, 19.1	1/2, 3/4	
2	HPAS w/Micro-Flute	Equal percentage	Up ⁽²⁾	6.4	0.25	19	0.75	12.7	1/2
				9.5	0.375	19	0.75	12.7	1/2
				12.7	0.5	19	0.75	12.7	1/2
	HPAS w/Micro-Form		Up	6.4	0.25	19	0.75	12.7	1/2
				12.7	0.5	19	0.75	12.7	1/2
				19.1	0.75	19	0.75	12.7, 19.1	1/2, 3/4
				25.4	1	19	0.75	12.7, 19.1, 25.4	1/2, 3/4, 1
				31.8	1.25	19	0.75	12.7, 19.1, 25.4	1/2, 3/4, 1
				38.1	1.5	29	1.125	12.7, 19.1, 25.4	1/2, 3/4, 1
	HPAS, equal percentage characterized cage		Down	19.1	0.75	19	0.75	12.7, 19.1, 25.4	1/2, 3/4, 1
				25.4	1	19	0.75	12.7, 19.1, 25.4	1/2, 3/4, 1
				31.8	1.25	19	0.75	19.1, 25.4	3/4, 1
	HPAS		Up	38.1	1.5	29	1.125	19.1, 25.4	3/4, 1
				47.6	1.875	29	1.125	12.7, 19.1, 25.4	1/2, 3/4, 1
	HPAT, HPAD		Down	47.6	1.875	29	1.125	12.7, 19.1	1/2, 3/4
	HPAS w/Micro-Form		Up	12.7	0.5	29	1.125	12.7	1/2
				19.1	0.75	29	1.125	12.7, 19.1	3/4
				25.4	1	29	1.125	12.7, 19.1, 25.4	1/2, 3/4, 1
				31.8	1.25	29	1.125	12.7, 19.1, 25.4	1/2, 3/4, 1
38.1		1.5		38	1.5	12.7, 19.1, 25.4	1/2, 3/4, 1		
HPAS, equal percentage characterized cage		Down		19.1	0.75	29	1.125	12.7, 19.1, 25.4	1/2, 3/4, 1
	25.4		1	29	1.125	12.7, 19.1, 25.4	1/2, 3/4, 1		
	31.8		1.25	29	1.125	19.1, 25.4	3/4, 1		
HPAS	Up	38.1	1.5	38	1.5	19.1, 25.4	3/4, 1		
HPAT, HPAD	Down	47.6	1.875	38	1.5	12.7, 19.1, 25.4	1/2, 3/4, 1		
47.6	1.875	38	1.5	12.7, 19.1	1/2, 3/4				
HPAS w/Micro-Flat	Linear (cage style: std)	Down	25.4	1	29	1.125	19.1	3/4	
HPAS	Linear (cage style: std)	Up	47.6	1.875	38	1.5	12.7, 19.1, 25.4	1/2, 3/4, 1	
		Down	47.6	1.875	38	1.5	12.7, 19.1	1/2, 3/4	
HPAT, HPAD	Linear (cage style: std)	Up	47.6	1.875	38	1.5	12.7, 19.1, 25.4 ⁽¹⁾	1/2, 3/4, 1 ⁽¹⁾	
HPAS, HPAT, HPAD			47.6	1.875	38	1.5	12.7, 19.1, 25.4 ⁽¹⁾	1/2, 3/4, 1 ⁽¹⁾	
HPAT	Linear (cage style: Cavitrol III, 2-stage)	Down	44.5	1.75	51	2	12.7, 19.1	1/2, 3/4	
HPAS	Linear (cage style: Cavitrol III, 3-stage)	Down	25.4	1	51	2	19.1	3/4	

-continued-

Table 12. Additional Angle Valve Specifications (continued)

VALVE SIZE, NPS	VALVE BODY DESIGN AND PLUG STYLE	FLOW CHARACTERISTIC	FLOW DIRECTION	PORT DIAMETER		VALVE PLUG TRAVEL		VALVE STEM DIAMETER	
				mm	Inches	mm	Inches	mm	Inches
3	HPAT, HPAD	Equal percentage	Down	47.6	1.875	29	1.125	12.7, 19.1	1/2, 3/4
		Modified equal percentage	Down	47.6	1.875	38	1.5	12.7, 19.1	1/2, 3/4
		Linear (cage style: Std)	Down	47.6	1.875	38	1.5	12.7, 19.1	1/2, 3/4
		Linear (cage style: Whisper III, level A1)	Up						
	HPAT	Linear (cage style: Cavitrol III, 2-stage)	Down	44.5	1.75	51	2	12.7, 19.1	1/2, 3/4
4	HPAT, HPAD	Equal percentage	Down	73	2.875	38	1.5	12.7, 19.1, 25.4	1/2, 3/4, 1
		Modified equal percentage	Down	73	2.875	51	2	12.7, 19.1, 25.4	1/2, 3/4, 1
		Linear (cage style: Std)	Down						
		Linear (cage style: Whisper III, level A1, B1)	Up						
	HPAT	Linear (cage style: Cavitrol III, 2-stage)	Down	64	2.5	64	2.5	12.7, 19.1, 25.4	1/2, 3/4, 1
		Linear (cage style: Cavitrol III, 3-stage)	Down	47.6	1.875	64	2.5	12.7, 19.1, 25.4	1/2, 3/4, 1
6 (long) ⁽³⁾	HPAT, HPAD	Equal percentage	Down	92.1	3.625	38	1.5	19.1, 25.4	3/4, 1
		Modified equal percentage	Down	92.1	3.625	51	2	19.1, 25.4	3/4, 1
		Linear (cage style: Std)	Down						
		Linear (cage style: Whisper III, level A1, A3, B3, C3)	Up						
		HPAT	Linear (cage style: Whisper III, level D3)	Up	73	2.875	51	2	19.1, 25.4
	Linear (cage style: Cavitrol III, 2-stage)		Down	87.3	3.4375	76	3	19.1, 25.4	3/4, 1
	6 (short) ⁽³⁾	HPAD, HPAT	Linear	Down	73.7	2.9	69.9	2.75	19.1, 25.4
Modified Equal Percent			Down						
Linear (cage style: Whisper III, level A1, A3, B1, B3, C1, C3)			Up						
Linear (cage style: Whisper III, level D3)			Up	57.2	2.25	50.8	2	19.1, 25.4	3/4, 1
Linear (cage style: Cavitrol III, 2-stage)			Down	73.7	2.9	69.9	2.75	25.4	1
Linear (cage style: Cavitrol III, 3-stage)			Down	57.2	2.25	69.9	2.75	25.4	1

-continued-

Table 12. Additional Angle Valve Specifications (continued)

VALVE SIZE, NPS	VALVE BODY DESIGN AND PLUG STYLE	FLOW CHARACTERISTIC	FLOW DIRECTION	PORT DIAMETER		VALVE PLUG TRAVEL		VALVE STEM DIAMETER	
				mm	Inches	mm	Inches	mm	Inches
8	HPAT, HPAD	Equal percentage	Down	136.5	5.375	64	2.5	19.1, 25.4, 31.8	3/4, 1, 1-1/4
		Modified equal percentage	Down	136.5	5.375	76	3	19.1, 25.4, 31.8	3/4, 1, 1-1/4
		Linear (cage style: Std)	Down						
		Linear (cage style: Whisper III, level A1, A3, B3, C3)	Up	136.5	5.375	76	3	25.4, 31.8	1, 1-1/4
		Linear (cage style: Whisper III, level D3)	Up	111.1	4.375	76	3	25.4, 31.8	1, 1-1/4
	HPAT	Linear (cage style: Cavitrol III, 2-stage)	Down	133.4	5.25	102	4	19.1, 25.4, 31.8	3/4, 1, 1-1/4
		Linear (cage style: Cavitrol III, 3-stage)	Down	115.9	4.5625	102	4	19.1, 25.4, 31.8	3/4, 1, 1-1/4
8 (short) ⁽³⁾	HPAD, HPAT	Linear	Down	105.9	4.17	95.3	3.75	19.1, 25.4, 31.8	3/4, 1, 1-1/4
		Modified Equal Percent	Down						
		Linear (cage style: Whisper III, level A1, A3, B1, B3, C1, C3)	Up						
		Linear (cage style: Whisper III, level D3)	Up	105.9	4.17	76.2	3	19.1, 25.4, 31.8	3/4, 1, 1-1/4
		Linear (cage style: Cavitrol III, 2-stage)	Down	105.9	4.17	95.3	3.75	25.4, 31.8	1, 1-1/4
		Linear (cage style: Cavitrol III, 3-stage)	Down	105.9	4.17	95.3	3.75	19.1, 25.4, 31.8	1, 1-1/4
12	HPAD, HPAT	Linear	Down	165.1	6.5	101.6	4	31.8	1, 1-1/4
		Modified Equal Percent	Down						
		Linear (cage style: Whisper III, level A1, A3, B1, B3, C1, C3, D3)	Up	165.1	6.5	127	5	31.8	1, 1-1/4
		Linear (cage style: Cavitrol III, 2-stage)	Down						
		Linear (cage style: Cavitrol III, 3-stage)	Down						

1. Available only with HPAS valves.
2. Micro-Flutes (1 flute and 0.5 inch port 2 flute) may be used flow down in flashing and erosive service.
3. (Long) indicates industry standard long face-to-face. (Short) indicates industry standard short face-to-face.

Figure 10. Fisher HPS Trim with Micro-Flute Valve Plug

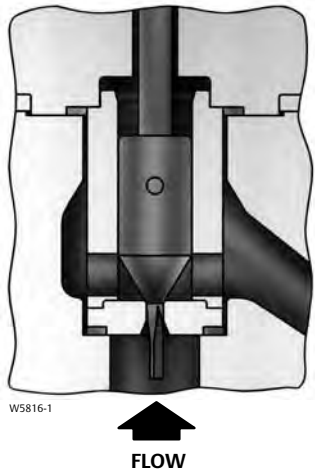
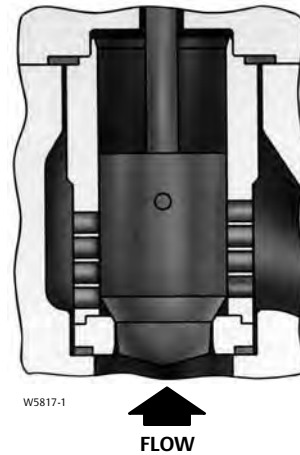


Figure 11. Fisher HPS Trim with Micro-Form Valve Plug



Trim Selection Guidelines

NPS 1 through 6 HP Globe Valve, NPS 8 Angle Body Valve

Refer to the following descriptions as a guideline for the selection of appropriate trims.

- **Trim 201A**— Trim 201A is the standard trim for carbon steel and alloy steel valve body materials. This trim is recommended for general or severe service applications up to 343°C (650°F) or 427°C (800°F) depending on valve construction. Typical applications for this trim include services in boiler feedwater, water, non-sour hydrocarbons, and steam.
- **Trims 202 and 202H**— Trims 202 and 202H are designed for use in high temperature applications up to 566°C (1050°F). Trim 202H includes special tolerances required for larger sized HPD and HPAD constructions, as indicated in table 13, at operating temperatures above 343°C (650°F).
- **Trim 203**— Trim 203 is the standard trim for stainless steel valve body materials and should only be used with stainless steel valve body materials. This trim meets the metallurgical requirements of NACE MR0175-2002 and can be used in applications up to 593°C (1100°F)
- **Trim 204**— Trim 204 is used in sour or moderately corrosive services. This trim meets the metallurgical requirements of NACE MR0175-2002 and can be used with carbon steel and alloy steel valve body materials.
- **Trim 210**— Provides a S31600 CoCr-A hardfaced valve plug, which can be easily weld repaired. The S17400 H1075 cage in this trim also allows it to be used in an HPT or HPAT construction.
- **Trim 211**— Trim 211 is the standard trim for C12A valve body materials and should only be used with C12A valve body materials. C12A should only be used when the pressure and temperature capabilities for WC9 valve body materials are not acceptable.

Figure 12. NPS 2 Fisher HPS Trim with Cavitrol III 3-Stage Cage

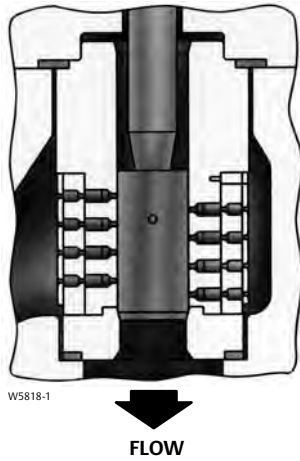


Figure 14. Fisher HPAS Trim with Micro-Flat Valve Plug



Figure 13. Fisher HPD Trim with Whisper Trim III Level D Cage (also available in HPT and HPS)

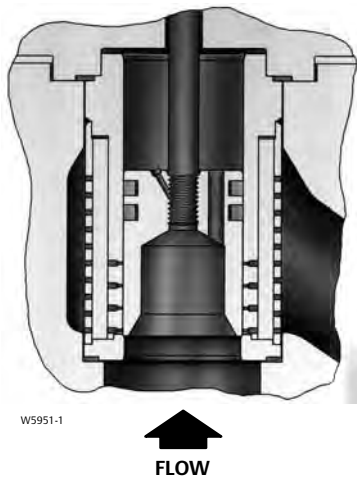
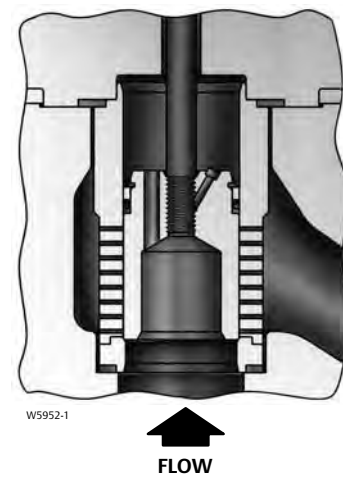


Figure 15. Fisher HPT Trim with Whisper Trim III Level A1 Cage (also available in HPD NPS 2-6 and HPS NPS 2 and 3)



C-seal Trim Description

C-seal trim is available for HPD and HPAD valves with port diameters from 2.875 inches through 5.375 inches.

With C-seal trim, a balanced valve can achieve high-temperature, Class V shutoff. Because the C-seal plug seal is formed from metal (N07718 nickel alloy) rather than an elastomer, a valve equipped with the C-seal trim can be applied in processes with a fluid temperature of up to 593°C (1100°F).

Bore-seal Trim Description

Bore-seal trim is available for HPD valves with port diameters from 5.5 inches through 8.5 inches.

With Bore-seal trim, a balanced valve can achieve high-temperature, Class V shutoff. Because the

Bore-seal plug seal is formed from metal (N07718 nickel alloy) rather than an elastomer, a valve equipped with the Bore-seal trim can be applied in processes with a fluid temperature of up to 593°C (1100°F).

Fisher TSO (Tight Shutoff) Trim Capabilities

TSO trim is available for HPS and HPT valves with port diameters as defined in table 5. Also see figure 6 and table 4.

TSO trim consists of a protected soft seat plus PEEK anti-extrusion rings with a spring-loaded PTFE plug seal. Used only in flow down applications, TSO trim offers unparalleled shutoff integrity, resulting in longer plug and seat life. For additional information contact your [Emerson sales office](#).

Table 13. Trim Descriptions

TRIM DESIGNATION	VALVE	VALVE PLUG	CAGE	SEAT RING	VALVE BODY MATERIAL ⁽¹⁾	OPERATING TEMPERATURE RANGE ⁽²⁾	
						°C	°F
With Standard Cage							
201A	HP (NPS 1-6 CL900 & 1500 & NPS 1-2 CL2500) HPA (NPS 1-8 CL900 & 1500 & NPS 1-2 CL2500)	S41600 heat-treated for HP, HPA, Micro-Form (HPA), and flow down HPAS) or S44004 (440C SST) heat-treated for Micro-Flute and Micro-Flat (HPA only) valve plugs	S17400 (17-4 SST) H1075 heat-treated	S41600 heat-treated or HPA (S44004 heat-treated seat ring for Micro-Flat S44004 heat-treated seat and liner)	WCC	-29 to 343 ⁽⁸⁾	-20 to 650 ⁽⁸⁾
					LCC	-29 to 343	-20 to 650
					WC9	-29 to 343 ⁽⁸⁾	-20 to 650 ⁽⁸⁾
202	HPD & HPS only (NPS 1-6 CL900 & 1500 & NPS 1 to 2 CL2500) HPAD & HPAS only (NPS 1-8 CL900 & 1500 & NPS 1-2 CL2500)	S31600 (316 stainless steel) with CoCr-A seat and guide	F22 (Cr-Mo alloy steel) nitrided	S31600/CoCr-A or R30006 (Alloy 6) for Micro-Flat valve plugs R30006 seat, liner ⁽³⁾	WCC	-29 to 427	-20 to 800
				LCC	-46 to 343	-50 to 650	
				WC9	-29 to 566	-20 to 1050	
202H ⁽⁴⁾	HPD NPS 6 CL900 & 1500, HPAD NPS 8 CL900 & 1500 only	S31600 (316 stainless steel) with CoCr-A seat and guide	F22 (Cr-Mo alloy steel) nitrided	S31600/CoCr-A	WCC	260 to 427	500 to 800
				LCC	260 to 343	500 to 650	
				WC9	260 to 566	500 to 1050	
203 (NACE) ⁽¹²⁾	HP (NPS 1-6 CL900 & 1500 & NPS 1-2 CL2500) HPA (NPS 1-8 CL900 & 1500 & NPS 1-2 CL2500)	S31600 with CoCr-A seat and guide	S31600/hard Cr coat	S31600/CoCr-A or R30006 (Alloy 6) for Micro-Flat valve plugs R30006 seat, liner ⁽³⁾	CF8M	-198 to 593 ⁽²⁾	-325 to 1100 ⁽²⁾
203A (NACE) ⁽¹²⁾	HP (NPS 1-6 1500)	S31600 with CoCr-A seat and guide	S31600/Cr plate	S31600/CoCr-A	CF8M	-198 to 316	-325 to 600
204 (NACE) ⁽¹²⁾	HP (NPS 1-6 CL900 & 1500 & NPS 1-2 CL2500) HPA (NPS 1-8 CL900 & 1500 & NPS 1-2 CL2500)	S31600 with CoCr-A seat and guide	S17400 Double H1150 heat-treated	S31600/CoCr-A or R30006 (Alloy 6) for Micro-Flat valve plugs R30006 seat, liner ⁽³⁾	WCC	-29 to 427	-20 to 800
				LCC	-46 to 343	-50 to 650	
				WC9	-29 to 427	-20 to 800	

-continued-

Table 13. Trim Descriptions (continued)

TRIM DESIGNATION	VALVE	VALVE PLUG	CAGE	SEAT RING	VALVE BODY MATERIAL ⁽¹⁾	OPERATING TEMPERATURE RANGE ⁽²⁾	
						°C	°F
With Standard Cage							
210	HP (NPS 1-6 CL900 & 1500 & NPS 1-2 CL2500) HPA (NPS 1-8 CL900 & 1500 & NPS 1-2 CL2500)	S31600 with CoCr-A seat and guide	S17400 H1075	S31600/CoCr-A	WCC	-29 to 427	-20 to 800
					LCC	-46 to 343	-50 to 650
					WC9	-29 to 427	-20 to 800
211 ⁽⁹⁾	HPD & HPS only (NPS 1-6 CL900 & 1500 & NPS 1 to 2 CL2500) HPAD & HPAS only (NPS 1-8 CL900 & 1500 & NPS 1-2 CL2500)	F91 with CoCr-A seat and guide	F91 ion nitrided	F91 with CoCr-A	C12A	-29 to 593	-20 to 1100
260	HP (NPS 8-14 CL900, 1500, 2500, & 3200) HPA (NPS12)	410/416 SST heat treated	S17400 H1075 heat treated	S17400 H1075 heat treated	WCC, WC9	-29 to 427	-20 to 800
					LCC	-46 to 343	-50 to 650
2605 ⁽¹³⁾	HP (NPS 8-14 CL900, 1500, 2500, & 3200) HPA (NPS 12)	410/416 SST heat treated	S17400 H1075 heat treated	S41600 heat treated	WCC, WC9	-29 to 427	-20 to 800
					LCC	-46 to 343	-50 to 650
3605 ⁽¹³⁾	HP (NPS 3, 4, 6 CL900, 1500, & 2500) HPA (NPS 6 & 8 CL2500)	410/416 SST heat treated	S17400 H1075 heat treated	S41600 heat treated	WCC, WC9	-29 to 427	-20 to 800
					LCC	-46 to 343	-50 to 650
262	HP (NPS 8-14 CL900, 1500, 2500, & 3200) HPA (NPS 12)	2.25 Cr - 1 Mo with CoCr-A	2.25 Cr - 1 Mo Nitrided	2.25 Cr - 1 Mo with CoCr-A	WC9, C12A	-29 to 566	-20 to 1050
2625 ⁽¹³⁾	HP (NPS 8-14 CL900, 1500, 2500, & 3200) HPA (NPS 12)	2.25 Cr - 1 Mo with CoCr-A	2.25 Cr - 1 Mo Nitrided	2.25 Cr - 1 Mo with CoCr-A	WC9, C12A	-29 to 566	-20 to 1050
3625 ⁽¹³⁾	HP (NPS 3, 4, 6 CL900, 1500, & 2500) HPA (NPS 6 & 8 CL2500)	2.25 Cr - 1 Mo with CoCr-A	2.25 Cr - 1 Mo Nitrided	2.25 Cr - 1 Mo with CoCr-A	WC9	-29 to 566	-20 to 1050
					C12A	-29 to 593	-20 to 1100
263 (NACE) ⁽¹¹⁾⁽¹²⁾	HP (NPS 8-14 CL900, 1500, 2500, & 3200) HPA (NPS 12)	S31600 with CoCr-A	S31600 with Cr plating	S31600 with CoCr-A	CF8M, CF8C	-198 to 316	-325 to 600
					WCC, WC9	-29 to 316	-20 to 600
					LCC	-46 to 316	-50 to 600
2635 ⁽¹³⁾ (NACE) ⁽¹¹⁾⁽¹²⁾	HP (NPS 8-14 CL900, 1500, 2500, & 3200) HPA (NPS 12)	S31600 with CoCr-A	S31600 with Cr plating	S31600 with CoCr-A	CF8M, CF8C	-198 to 316	-325 to 600
					WCC, WC9	-29 to 316	-20 to 600
					LCC	-46 to 316	-50 to 600
3635 ⁽¹³⁾ (NACE) ⁽¹¹⁾⁽¹²⁾	HP (NPS 3, 4, 6 CL900, 1500, & 2500) HPA (NPS 6 & 8 CL2500)	S31600 with CoCr-A	S31600 with Cr plating	S31600 with CoCr-A	CF8M, CF8C	-198 to 316	-325 to 600
					WCC, WC9	-29 to 316	-20 to 600
					LCC	-46 to 316	-50 to 600
264 (NACE) ⁽¹¹⁾⁽¹²⁾	HP (NPS 8-14 CL900, 1500, 2500, & 3200) HPA (NPS 12)	S31600 with CoCr-A	S31600 with Cr coating	S31600 with CoCr-A	CF8M, CF8C	-198 to 593	-325 to 1100 ⁽¹⁴⁾
					WCC	-29 to 399	-20 to 750 ⁽¹⁵⁾
					LCC	-46 to 343	-50 to 650
					WC9	-29 to 427	-20 to 800 ⁽¹⁵⁾
2645 ⁽¹³⁾ (NACE) ⁽¹¹⁾⁽¹²⁾	HP (NPS 8-14 CL900, 1500, 2500, & 3200) HPA (NPS 12)	S31600 with CoCr-A	S31600 with Cr coating	S31600 with CoCr-A	CF8M, CF8C	-198 to 593	-325 to 1100 ⁽¹⁴⁾
					WCC	-29 to 399	-20 to 750 ⁽¹⁵⁾
					LCC	-46 to 343	-50 to 650
					WC9	-29 to 427	-20 to 800 ⁽¹⁵⁾
3645 ⁽¹³⁾ (NACE) ⁽¹¹⁾⁽¹²⁾	HP (NPS 3, 4, 6 CL900, 1500, & 2500) HPA (NPS 6 & 8 CL2500)	S31600 with CoCr-A	S31600 with Cr coating	S31600 with CoCr-A	CF8M, CF8C	-198 to 593	-325 to 1100 ⁽¹⁶⁾
					WCC	-29 to 427	-20 to 800 ⁽¹⁷⁾
					LCC	-46 to 343	-50 to 650 ⁽¹⁸⁾
					WC9	-29 to 454	-20 to 850 ⁽¹⁷⁾
265 (NACE) ⁽¹¹⁾⁽¹²⁾	HP (NPS 14 CL2500) HPA (NPS 12)	S34700 with CoCr-A	S34700 with Cr Coating	S34700 with CoCr-A	CF8C	-198 to 593	-325 to 1100 ⁽¹⁴⁾

-continued-

Table 13. Trim Descriptions (continued)

TRIM DESIGNATION	VALVE	VALVE PLUG	CAGE	SEAT RING	VALVE BODY MATERIAL ⁽¹⁾	OPERATING TEMPERATURE RANGE ⁽²⁾	
						°C	°F
With Standard Cage							
265S ⁽¹³⁾ (NACE) ⁽¹¹⁾⁽¹²⁾	HP (NPS 14 CL2500) HPA (NPS 12)	S34700 with CoCr-A	S34700 with Cr Coating	S34700 with CoCr-A	CF8C	-198 to 593	-325 to 1100 ⁽¹⁴⁾
365S ⁽¹³⁾ (NACE) ⁽¹¹⁾⁽¹²⁾	HP (NPS 3, 4, 6 CL900, 1500, & 2500) HPA (NPS 6 & 8 CL2500)	S34700 with CoCr-A	S34700 with Cr Coating	S34700 with CoCr-A	CF8C	-198 to 593	-325 to 1100 ⁽¹⁶⁾
TC1	HP (NPS 1-6 CL900, 1500 & NPS 1-2 CL2500) HPA (NPS 1-8 CL900, 1500 & NPS 1-2 CL2500)	S17400/tungsten carbide insert for seat & contour ⁽¹⁰⁾	R30006	S17400/Tungsten carbide insert for seat & bore	WCC, WC9	-29 to 232	-20 to 450
TC2	HP (NPS 1-6 CL900, 1500 & NPS 1-2 CL2500) HPA (NPS 1-8 CL900, 1500 & NPS 1-2 CL2500)	S32550/tungsten carbide insert for seat & contour ⁽¹⁰⁾	R30006	S32550/tungsten carbide insert for seat & bore	CF8M, CD3MN, CD3MWCuN	-29 to 93	-20 to 200
TC3	HP (NPS 1-6 CL900, 1500 & NPS 1-2 CL2500) HPA (NPS 1-8 CL900, 1500 & NPS 1-2 CL2500)	N07718/tungsten carbide insert for seat & contour ⁽¹⁰⁾	R30006	N07718/tungsten carbide insert for seat & bore	CW6MC	-29 to 232	-20 to 450
751	HP (NPS 1-6 CL900 & 1500)	≤ 1/4 inch Port: R30006 or R30016 > 1/4 inch, < 3 inch Port: S31803 with CoCr-A seat and guide ≥ 3 inch Port: S31803/Ultimet	S31803/Cr Pl	S31803/CoCr A	CD3MN	-51 to 316	-60 to 600
752	HP (NPS 1-6 CL900 & 1500)	≤ 1/4 inch Port: R30006 or R30016 > 1/4 inch, < 3 inch Port: S32760 with CoCr-A seat and guide ≥ 3 inch Port: S32760/Ultimet	S32760/Cr Pl	S32760/CoCr A	CD3MWCuN	-51 to 316	-60 to 600
With Cavitrol III Cage							
215A	HP (NPS 1-6 CL900 & 1500 & NPS 1-2 CL2500) HPA (NPS 1-8 CL900 & 1500 & NPS 1-2 CL2500)	S44004 heat-treated	S17400 H1075 heat-treated	S42000 or S44004 heat-treated for CAV III Micro-Flat only	WCC	-29 to 343 ⁽⁸⁾	-20 to 650 ⁽⁸⁾
					LCC		
					WC9		
215B ⁽⁶⁾	HP (NPS 1-6 CL900 & 1500 & NPS 1-2 CL2500) HPA (NPS 1-8 CL900 & 1500 & NPS 1-2 CL2500)	S44004 heat-treated	S17400 H1075 heat-treated	S42000 or S44004 heat-treated for CAV III Micro-Flat only	WCC	-29 to 343 ⁽⁸⁾	-20 to 650 ⁽⁸⁾
					LCC		
					WC9		
206 (NACE) ⁽⁵⁾	HP (NPS 1-6 CL900 & 1500 & NPS 1-2 CL2500) HPA (NPS 1-8 CL900 & 1500 & NPS 1-2 CL2500)	S31600 with CoCr-A seat and guide	S17400 Double H1150 heat-treated	S31600/CoCr-A	WCC	-29 to 343	-20 to 650
					LCC	-46 to 343	-50 to 650
					WC9	-29 to 343	-20 to 650
306S ⁽¹³⁾ (NACE) ⁽⁵⁾	HP (NPS 3, 4, 6 CL900, 1500, & 2500) HPA (NPS 6 & 8 CL2500)	S31600 with CoCr-A seat and guide	S17400 Double H1150 heat-treated	S31600/CoCr-A	WCC, WC9	-29 to 316	-20 to 600
					LCC	-46 to 316	-50 to 600
					CF8M, CF8C	-29 to 316	-20 to 600 ⁽²⁰⁾

-continued-

Table 13. Trim Descriptions (continued)

TRIM DESIGNATION	VALVE	VALVE PLUG	CAGE	SEAT RING	VALVE BODY MATERIAL ⁽¹⁾	OPERATING TEMPERATURE RANGE ⁽²⁾	
						°C	°F
With Cavitrol III Cage							
275	HP (NPS 8-14 CL900, 1500, 2500, & 3200)HPA (NPS 12 CL2500)	S42000 heat treated	S17400 H1075 heat treated	S17400 H1075 heat treated	WCC, WC9	-29 to 427	-20 to 800
					LCC	-46 to 343	-50 to 650
					CF8M, CF8C	-29 to 232	-20 to 450
275S ⁽¹³⁾	HP (NPS 8-14 CL900, 1500, 2500, & 3200) HPA (NPS 12 CL2500)	S42000 heat treated	S17400 H1075 heat treated	S42000 heat treated	WCC, WC9	-29 to 427	-20 to 800
					LCC	-46 to 343	-50 to 650
					CF8M, CF8C	-29 to 232	-20 to 450
375S ⁽¹³⁾	HP (NPS 3, 4, 6 CL900, 1500, & 2500) HPA (NPS 6 & 8 CL2500)	S42000 heat treated	S17400 H1075 heat treated	S42000 heat treated	WCC, WC9	-29 to 427	-20 to 800
					LCC	-46 to 343	-50 to 650
					CF8M, CF8C	-29 to 343	-20 to 650 ⁽¹⁹⁾
276	HP (NPS 8-14 CL900, 1500, 2500, & 3200) HPA (NPS 12 CL2500)	S44004 heat treated	S17400 H1075 heat treated	S17400 H1075 heat treated	WCC, WC9	-29 to 427	-20 to 800
					LCC	-46 to 343	-50 to 650
					CF8M, CF8C	-29 to 232	-20 to 450
276S ⁽¹³⁾	HP (NPS 8-14 CL900, 1500, 2500, & 3200) HPA (NPS 12 CL2500)	S44004 heat treated	S17400 H1075 heat treated	S42000 heat treated	WCC, WC9	-29 to 427	-20 to 800
					LCC	-46 to 343	-50 to 650
					CF8M, CF8C	-29 to 232	-20 to 450
275	HP (NPS 8-12 CL900, 1500, 2500, & 3200)	S42000 heat treated	S17400 H1075 heat treated	S17400 H1075 heat treated	WCC, WC9	-29 to 427	-20 to 800
					LCC	-46 to 343	-50 to 650
					CF8M	-29 to 232	-20 to 450
276	HP (NPS 8-12 CL900, 1500, 2500, & 3200)	S44004 heat treated	S17400 H1075 heat treated	S17400 H1075 heat treated	WCC, WC9	-29 to 427	-20 to 800
					LCC	-46 to 343	-50 to 650
					CF8M	-29 to 232	-20 to 450
753	HP (NPS 1-6 CL900 & 1500)	≤ 1/4 inch Port: R30006 or R30016 > 1/4 inch, < 3 inch Port: S31803 with CoCr-A seat and guide ≥ 3 inch Port: S31803/Ultimet	S32760	S31803/CoCr A	CD3MN	-51 to 316 ⁽⁷⁾	-60 to 600 ⁽⁷⁾
754	HP (NPS 1-6 CL900 & 1500)	≤ 1/4 inch Port: R30006 or R30016 > 1/4 inch, < 3 inch Port: S32760 with CoCr-A seat and guide ≥ 3 inch Port: S32760/Ultimet	S32760	S32760/CoCr A	CD3MWCuN	-51 to 316 ⁽⁷⁾	-60 to 600 ⁽⁷⁾
With Whisper Trim III Cage							
207A	HP (NPS 1-6 CL900 & 1500 & NPS 1-2 CL2500) HPA (NPS 1-8 CL900 & 1500 & NPS 1-2 CL2500)	S41600 heat-treated	S17400 H1075 heat-treated	S41600 heat-treated	WCC	-29 to 343 ⁽⁸⁾	-20 to 650 ⁽⁸⁾
					LCC		
					WC9		
307S ⁽¹³⁾	HP (NPS 3, 4, 6 CL900, 1500, & 2500) HPA (NPS 6 & 8 CL2500)	S41600 heat-treated	S17400 H1075 heat-treated	S41600 heat-treated	WCC, WC9	-29 to 427	-20 to 800
					LCC	-46 to 343	-50 to 650

-continued-

Table 13. Trim Descriptions (continued)

TRIM DESIGNATION	VALVE	VALVE PLUG	CAGE	SEAT RING	VALVE BODY MATERIAL ⁽¹⁾	OPERATING TEMPERATURE RANGE ⁽²⁾	
						°C	°F
With Whisper Trim III Cage							
207B	HP (NPS 1-6 CL900 & 1500 & NPS 1-2 CL2500)	S41600 heat-treated	S17400 H1075 heat-treated	S31600/CoCr-A	WCC	-29 to 427	-20 to 800
					LCC	-29 to 343	-20 to 650
					WC9	-29 to 427	-20 to 800
208	HPD & HPS only (NPS 1-6 CL900 & 1500 & NPS 1 to 2 CL2500) HPAD & HPAS (NPS 1-8 CL900 & 1500 & NPS 1-2 CL2500)	S31600 with CoCr-A seat and guide	F22 (Cr-Mo alloy steel) nitrided	S31600/CoCr-A	WCC	-29 to 427	-20 to 800
					LCC	-46 to 343	-50 to 650
					WC9	-29 to 566	-20 to 1050
208H ⁽⁴⁾	HPD (NPS 6 CL900 & 1500) HPAD (NPS 8 CL900 & 1500 only)	S31600 with CoCr-A seat and guide	F22 (Cr-Mo alloy steel) nitrided	S31600/CoCr-A	WCC	-29 to 427	-20 to 800
					LCC	-46 to 343	-50 to 650
					WC9	-29 to 566	-20 to 1050
209 (NACE) ⁽⁵⁾	HP (NPS 1-6 CL900 & 1500 & NPS 1-2 CL2500) HPA (NPS 1-8 CL900 & 1500 & NPS 1-2 CL2500)	S31600 with CoCr-A seat and guide	S17400 Double H1150 heat-treated	S31600/CoCr-A	WCC	-29 to 343	-20 to 650
					LCC	-46 to 343	-50 to 650
					WC9	-29 to 343	-20 to 650
212 ⁽⁹⁾	HPD & HPS only (NPS 1-6 CL900 & 1500 & NPS 1 to 2 CL2500) HPAD & HPAS only (NPS 1-8 CL900 & 1500 & NPS 1-2 CL2500)	F91 with CoCr-A seat and guide	F91 ion nitrided	F91 with CoCr-A	C12A	-29 to 593	-20 to 1100
286A	HP (NPS 8-14 CL900, 1500, 2500, & 3200)	410/416 SST heat treated	S17400 H1075 heat treated	S17400 H1075 heat treated	WCC, WC9	-29 to 427	-20 to 800
					LCC	-46 to 343	-50 to 650
286S ⁽¹³⁾	HP (NPS 8-14 CL900, 1500, 2500, & 3200) HPA (NPS 12 CL2500)	410/416 SST heat treated	S17400 H1075 heat treated	S41600 SST heat treated	WCC, WC9	-29 to 427	-20 to 800
					LCC	-46 to 343	-50 to 650
287	HP (NPS 8-14 CL900, 1500, 2500, & 3200) HPA (NPS 12 CL2500)	2.25 Cr - 1 Mo with CoCr-A	2.25 Cr - 1 Mo Nitrided	2.25 Cr - 1 Mo with CoCr-A	WC9	-29 to 566	-20 to 1050
					LCC	-46 to 343	-50 to 650
287S ⁽¹³⁾	HP (NPS 8-14 CL900, 1500, 2500, & 3200) HPA (NPS 12 CL2500)	2.25 Cr - 1 Mo with CoCr-A	2.25 Cr - 1 Mo Nitrided	2.25 Cr - 1 Mo with CoCr-A	WC9	-29 to 566	-20 to 1050
387S ⁽¹³⁾	HP (NPS 3, 4, 6 CL900, 1500, & 2500) HPA (NPS 6 & 8 CL2500)	2.25 Cr - 1 Mo with CoCr-A	2.25 Cr - 1 Mo Nitrided	2.25 Cr - 1 Mo with CoCr-A	WC9	-29 to 566	-20 to 1050
With Whisper Trim III Cage							
288	HP (NPS 8-14 CL900, 1500, 2500, & 3200) HPA (NPS 12 CL2500)	9 Cr - 1 Mo - V with CoCr-A	9 Cr - 1 Mo - V Nitrided	9 Cr - 1 Mo - V with CoCr-A	C12A	-29 to 566	-20 to 1100
					LCC	-46 to 343	-50 to 650
288S ⁽¹³⁾	HP (NPS 8-14 CL900, 1500, 2500, & 3200) HPA (NPS 12 CL2500)	9 Cr - 1 Mo - V with CoCr-A	9 Cr - 1 Mo - V Nitrided	9 Cr - 1 Mo - V with CoCr-A	C12A	-29 to 566	-20 to 1100

-continued-

Table 13. Trim Descriptions (continued)

TRIM DESIGNATION	VALVE	VALVE PLUG	CAGE	SEAT RING	VALVE BODY MATERIAL ⁽¹⁾	OPERATING TEMPERATURE RANGE ⁽²⁾	
						°C	°F
With Whisper Trim III Cage							
3885 ⁽¹³⁾	HP (NPS 3, 4, 6 CL900, 1500, & 2500) HPA (NPS 6 & 8 CL2500)	9 Cr - 1 Mo - V with CoCr-A	9 Cr - 1 Mo - V Nitrided	9 Cr - 1 Mo - V with CoCr-A	C12A	-29 to 566	-20 to 1100
289 (NACE) ⁽⁵⁾	HP (NPS 8-14 CL900, 1500, 2500, & 3200) HPA (NPS 12 CL2500)	S31600 with CoCr-A	S17400 Double H1150 heat treated	S17400 Double H1150 heat treated with CoCr-A	WCC, WC9, CF8M, CF8C	-29 to 260	-20 to 500
					LCC	-46 to 260	-50 to 500
2895 ⁽¹³⁾ (NACE) ⁽⁵⁾	HP (NPS 8-14 CL900, 1500, 2500, & 3200) HPA (NPS 12 CL2500)	S31600 with CoCr-A	S17400 Double H1150 heat treated	S31600 with CoCr-A	WCC, WC9, CF8M, CF8C	-29 to 260	-20 to 500
					LCC	-46 to 260	-50 to 500
3895 ⁽¹³⁾ (NACE) ⁽⁵⁾	HP (NPS 3, 4, 6 CL900, 1500, & 2500) HPA (NPS 6 & 8 CL2500)	S31600 with CoCr-A	S17400 Double H1150 heat treated	S31600 with CoCr-A	WCC, WC9	-29 to 316	-20 to 600
					LCC	-46 to 316	-50 to 600
					CF8M, CF8C	-29 to 316	-20 to 600 ⁽²¹⁾
751	HP (NPS 1-6 CL900 & 1500)	≤ 1/4 inch Port: R30006 or R30016 > 1/4 inch, < 3 inch Port: S31803 with CoCr-A seat and guide ≥ 3 inch Port: S31803/Ultimet	S31803/Cr PI	S31803/CoCr A	CD3MN	-51 to 316	-60 to 600
752	HP (NPS 1-6 CL900 & 1500)	≤ 1/4 inch Port: R30006 or R30016 > 1/4 inch, < 3 inch Port: S32760 with CoCr-A seat and guide ≥ 3 inch Port: S32760/Ultimet	S32760/Cr PI	S32760/CoCr A	CD3MWCuN	-51 to 316	-60 to 600

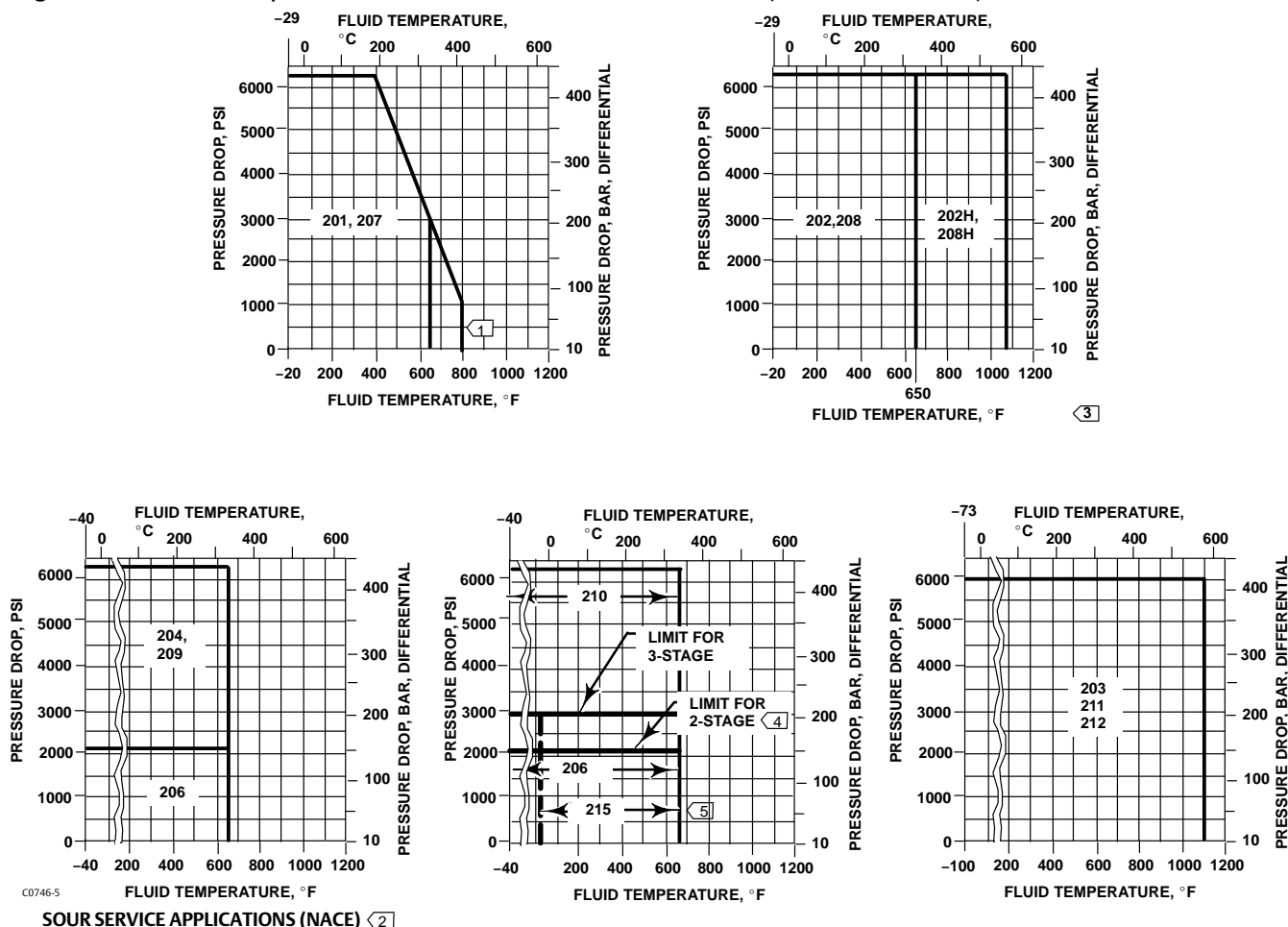
1. If using valve body/trim combinations other than those listed, consult your [Emerson sales office](#).
2. Temperatures above 538°C (1000°F) require a non-standard CF8M body material (CF8M to FMS 20B16).
3. For HPA valves.
4. Trims 202H and 208H have valve plug tolerances for high temperature service and are used in place of trims 202 and 208 for the constructions listed when operating temperatures exceed 343°C (650°F).
5. NACE MRO175-2002.
6. Trim 215B has a S31600 valve stem instead of the standard S20910 material.
7. NPS 1 2 stage and NPS 2 3 stage HPS can be used at temperatures up to 343°C (650°F).
8. NPS 1 and 2 can be used at temperatures up to 427°C (800°F).
9. Trims 211 and 212 use S41000 stem instead of the standard S20910 material. S41000 is limited to 538°C (1000°F). For temperatures greater than 538°C (1000°F), S42200 stem is used.
10. Use with Micro-Form trim in HPS, Micro-Form and Micro-Flat in HPAS valves.
11. Not available with bore seal.
12. NACE MRO175-2002, 2003, and NACE MRO103.
13. Separate seat and cage design trim.
14. NPS 12 angle limited to -198 to 510°C (-325 to 950°F).
15. NPS 12 angle limited to -29 to 371°C (-20 to 700°F).
16. NPS 6 CL2500 globe and NPS 6 angle limited to -198 to 482°C (-325 to 900°F). NPS 8 angle limited to -198 to 371°C (-325 to 700°F).
17. NPS 6 CL2500 globe limited to -29 to 343°C (-20 to 650°F). NPS 8 angle limited to 29 to 315°C (-20 to 600°F).
18. NPS 8 angle limited to -45 to 173°C (-50 to 600°F).
19. NPS 6 globe CL1500 and CL2500 limited to -29 to 232°C (-20 to 450°F). NPS 6 angle limited to -29 to 260°C (-20 to 500°F). NPS 8 angle limited to -29 to 176°C (-20 to 350°F).
20. NPS 6 globe CL1500 and CL2500 limited to -29 to 260°C (-20 to 500°F). NPS 6 angle limited to -29 to 287°C (-20 to 550°F). NPS 8 angle limited to -29 to 176°C (-20 to 350°F).
21. NPS 6 globe and angle CL1500 and CL2500 limited to -29 to 287°C (-20 to 550°F). NPS 8 angle limited to -45 to 287°C (-50 to 350°F).

Table 14. Flowing Pressure Drop Limits for NPS 6 (Long)⁽¹⁾ HPD and HPT Valves (Without Cavitrol III or Whisper Trim III Cage)

FLOW MEDIA	STEM DIAMETER, mm (INCHES)	MAXIMUM FLOWING PRESSURE DROP			
		Bar		PSI	
		Flow Down	Flow Up	Flow Down	Flow Up
All except boiler feedwater	19 (3/4)	103	---	1500	---
	25.4 (1)	172	---	2500	---
	31.8 (1-1/4)	259	---	3750	---
	51.8 x 31.8 ⁽²⁾ (2 x 1-1/4)	259	259	3750	3750
Boiler feedwater	31.8 (1-1/4)	69	---	1000	---
	51.8 x 31.8 ⁽²⁾ (2 x 1-1/4)	138	259	2000	3750

1. (Long) indicates industry standard long face-to-face.
2. Requires 31.8 mm (1-1/4 inch) S20910 stem with 52.8 mm (2-inch) plug-to-stem connection.

Figure 16. Pressure-Temperature Limits for Trim Material Combinations (also refer to table 7)



SOUR SERVICE APPLICATIONS (NACE) 2

Notes:

- 1 Use trim 207B in NPS 3, 4, 6 HP and NPS 4, 6, 8 HPA above 343°C (650°F).
- 2 NACE MR0175-2002.
- 3 Be especially careful to specify service temperature if trim 202 or 208 is selected, as different thermal expansion rates require special plug clearances.
- 4 The limit for 2-stage NPS 1 and 2 valves is 2160 psig. For NPS 3 to 6 valves the limit is 1800 psig.
- 5 Use trim 215 up to 427°C (800° F) for NPS 1 and 2.

Figure 17. Pressure-Temperature Limits for Standard Window Cage (also refer to table 7)

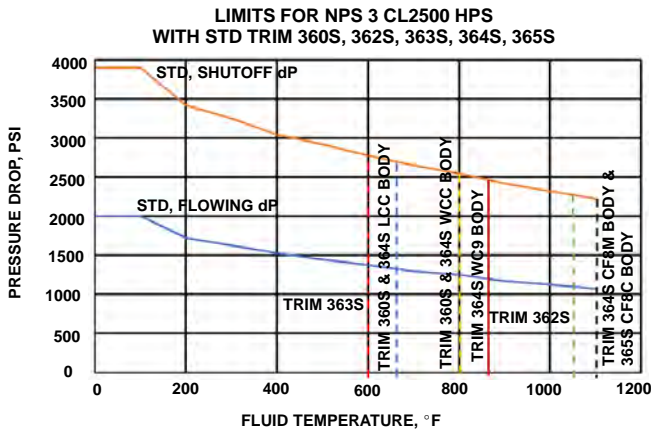
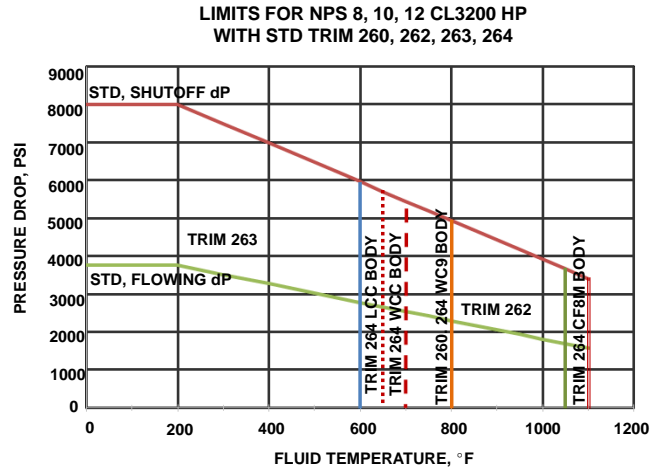
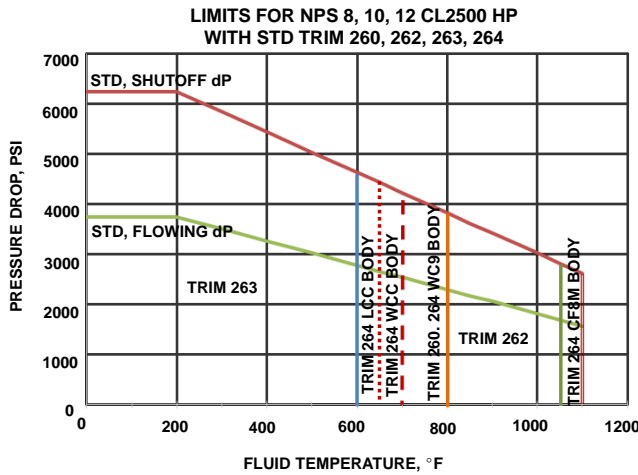
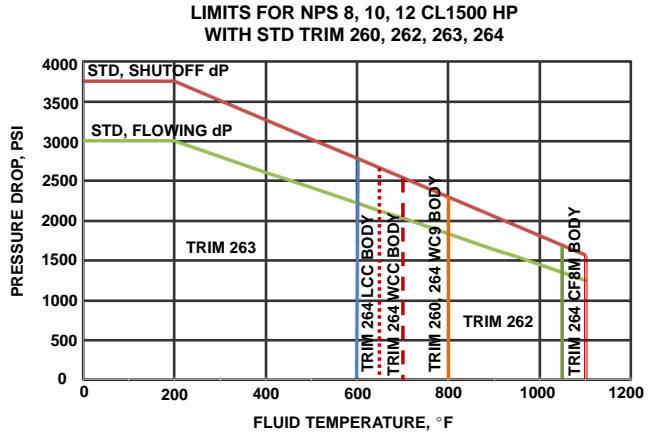
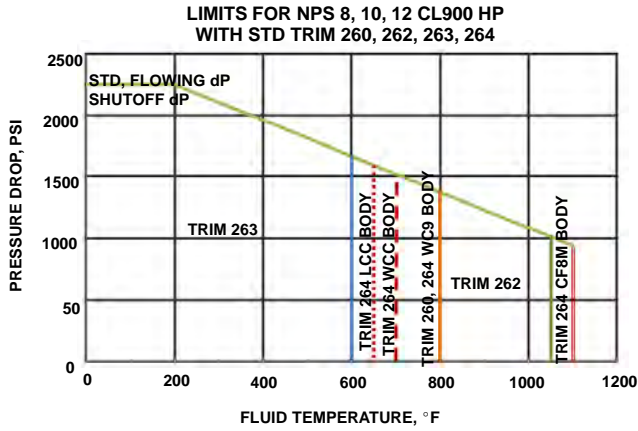


Figure 18. Pressure-Temperature Limits for Cavitrol III Cage (also refer to table 7)

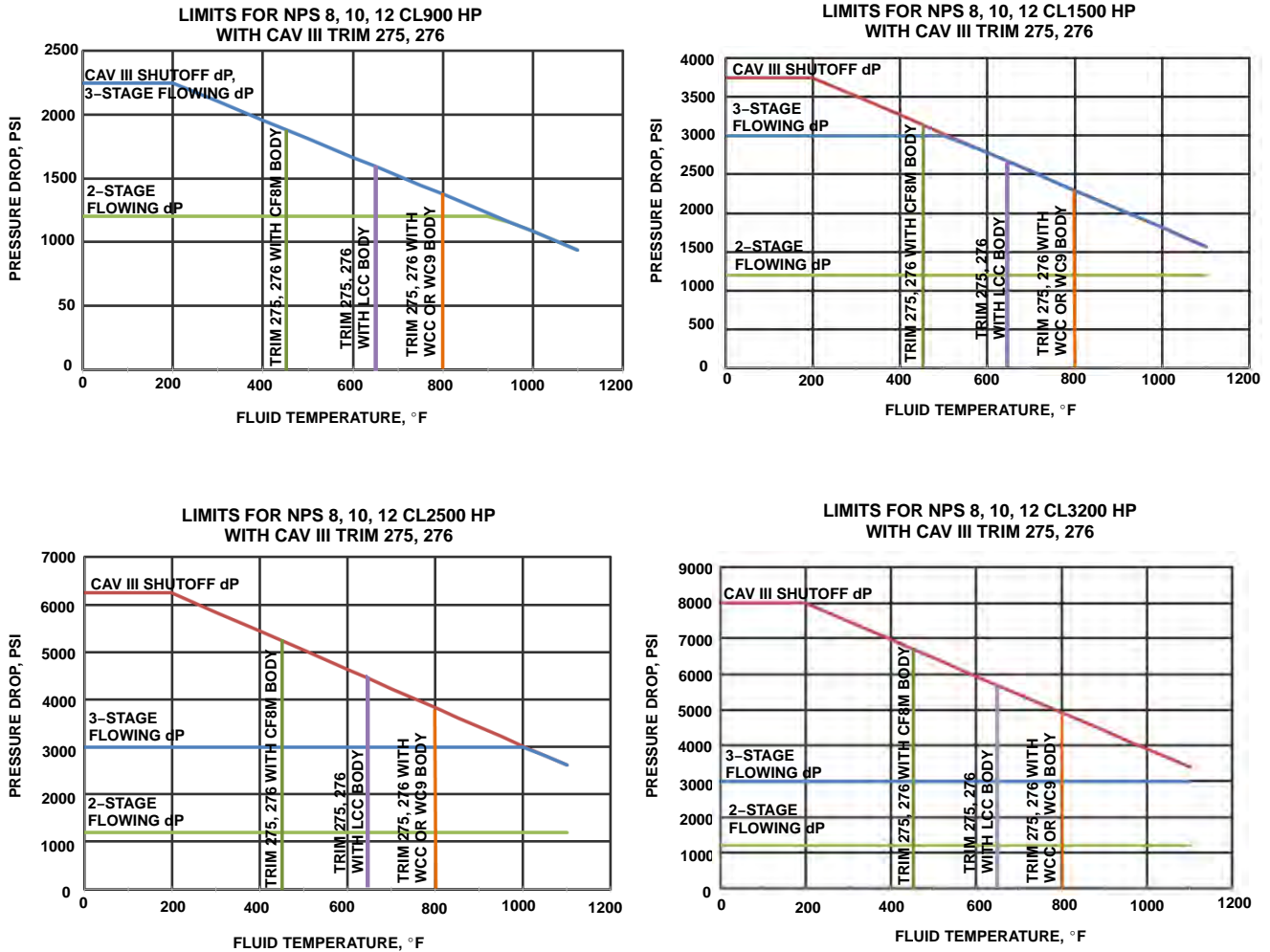


Figure 19. Pressure-Temperature Limits for Whisper III A, B, C Cage (also refer to table 7)

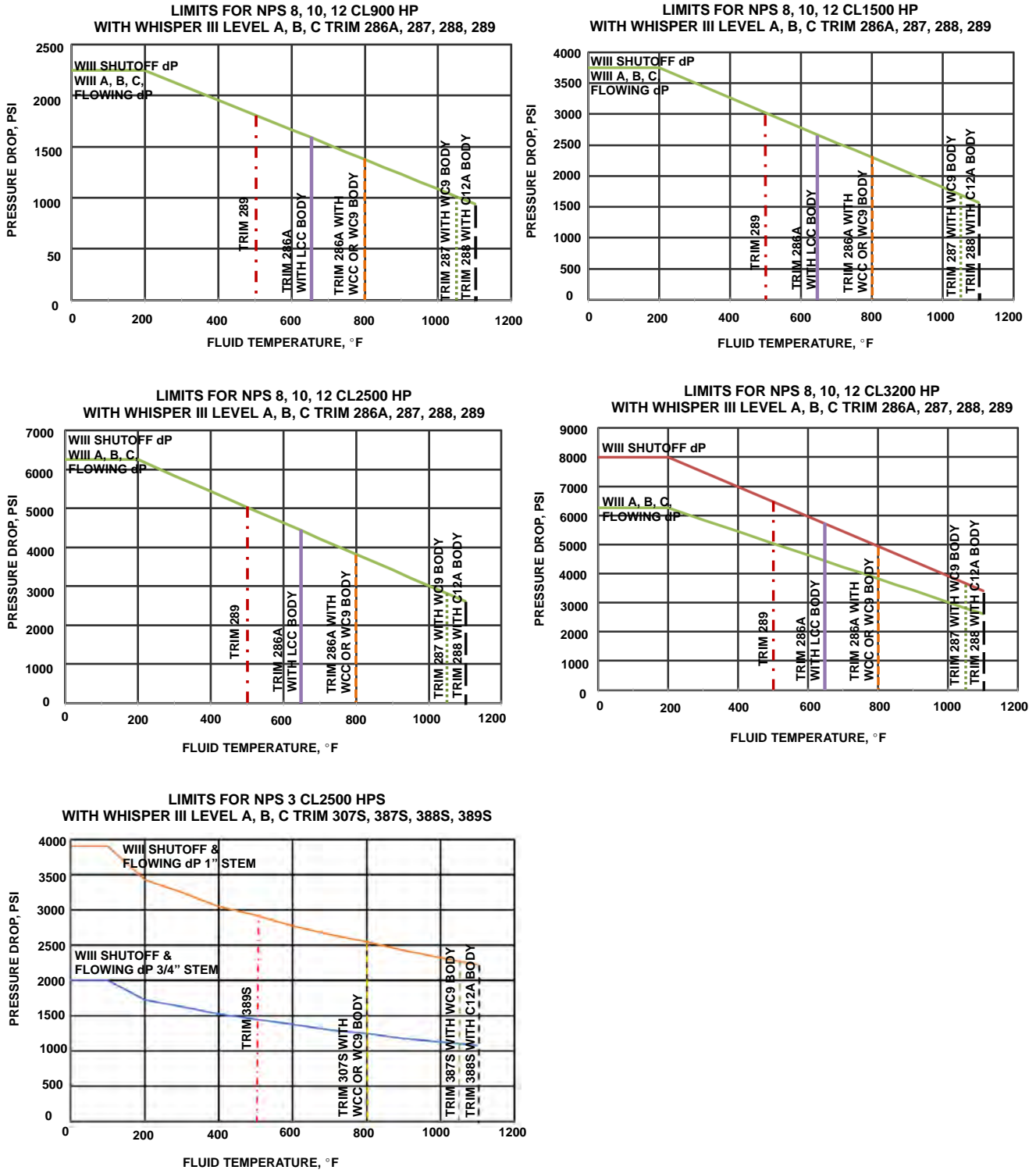


Figure 20. Pressure-Temperature Limits for Whisper III D Cage (also refer to table 7)

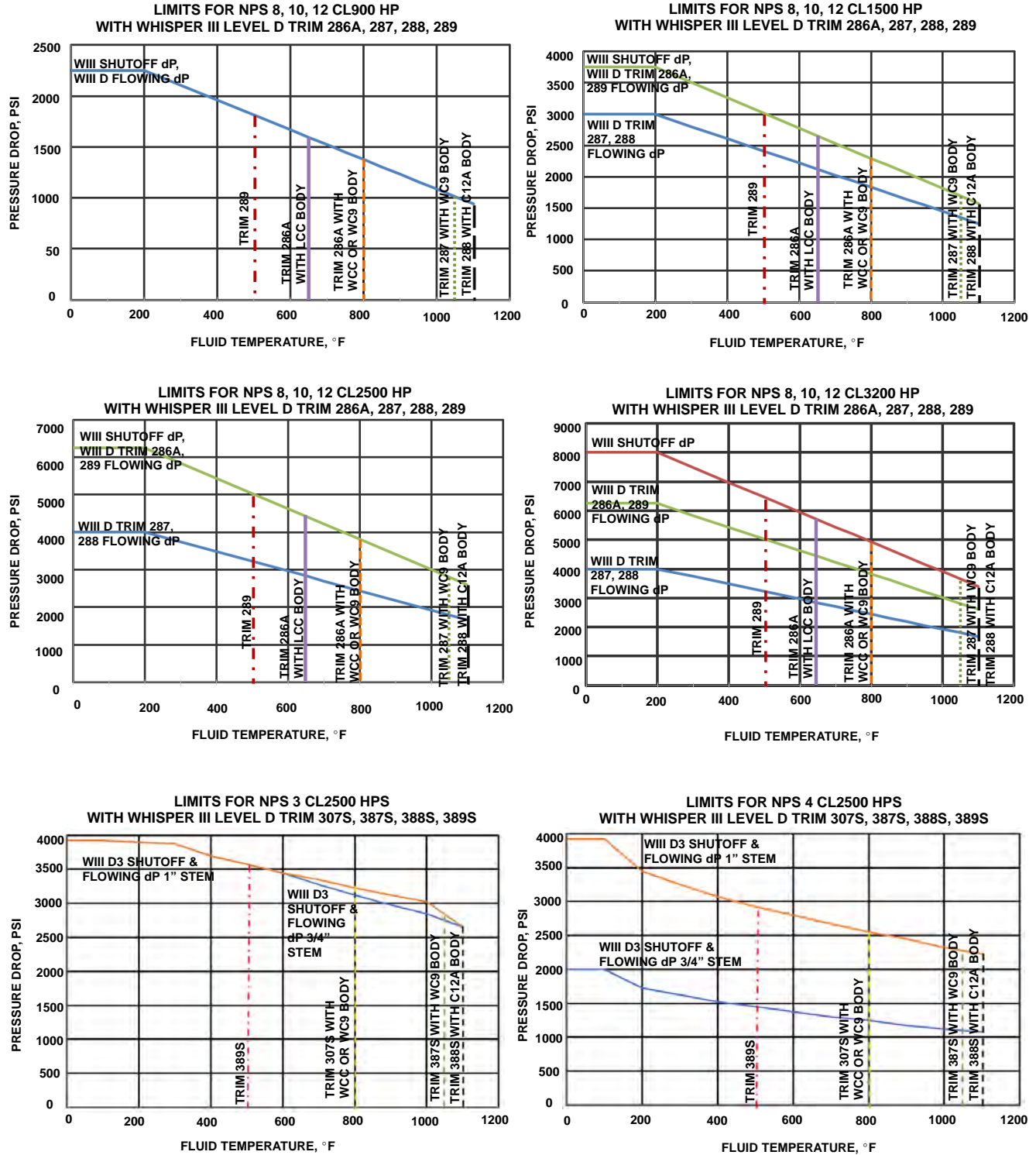


Table 15. Globe Valve Dimensions with Standard/Style 1 Extension Bonnet

VALVE SIZE, NPS	A ⁽¹⁾								
	ASME						EN		
	CL900		CL1500				PN160	PN250	
	RF	RTJ	BWE	SWE	RF	RTJ			
mm									
1	292	292	292	292	292	292	269	277	
2	375	378	375	375	375	378	344	360	
3	442	445	460	---	460	464	442	460	
4x3	460	463	460	---	479	482	---	---	
4	511	514	530	---	530	533	511	530	
6x4	544	547	530	---	598	604	---	---	
6	714	718	768	---	768	775	714	768	
8x6	730	733	768	---	787	797	---	---	
CL2500									
1	---	---	318	318	318	318	---	---	
2	---	---	400	400	413	416	---	---	
CL900		CL1500				PN160	PN250		
Inches									
1	11.50	11.50	11.50	11.50	11.50	11.50	10.58	10.90	
2	14.75	14.88	14.75	14.75	14.75	14.88	13.56	14.18	
3	17.38	17.50	18.12	---	18.12	18.25	17.38	18.12	
4x3	18.12	18.25	18.12	---	18.88	19.00	---	---	
4	20.12	20.25	20.88	---	20.88	21.00	20.12	20.88	
6x4	21.44	21.56	20.88	---	23.56	23.81	---	---	
6	28.12	28.25	30.25	---	30.25	30.50	28.12	30.25	
8x6	28.75	28.88	30.25	---	31.00	31.38	---	---	
CL2500									
1	---	---	12.50	12.50	12.50	12.50	---	---	
2	---	---	15.75	15.75	16.25	16.38	---	---	

1. RF-raised-face flanges; RTJ-ring-type joint flanges; BWE-buttweld ends; SWE-socketweld ends.

Table 16. Globe Valve Dimensions with Standard/Style 1 Extension Bonnet

VALVE SIZE, NPS	B ⁽¹⁾								
	ASME						EN		
	CL900		CL1500				PN160	PN250	
	RF	RTJ	BWE	SWE	RF	RTJ			
mm									
1	146	146	146	146	146	146	134	138	
2	187	189	187	187	187	189	172	180	
3	221	222	230	---	230	232	192	202	
4x3	212	214	209	---	222	223	---	---	
4	229	230	238	---	238	240	218	232	
6x4	249	250	238	---	276	279	---	---	
6	310	311	337	---	337	340	298	316	
8x6	317	319	336	---	345	350	---	---	
CL2500									
1	---	---	159	159	159	159	---	---	
2	---	---	200	200	206	208	---	---	
CL900		CL1500				PN160	PN250		
Inches									
1	5.75	5.75	5.75	5.75	5.75	5.75	5.29	5.45	
2	7.38	7.44	7.38	7.38	7.38	7.44	6.78	7.09	
3	8.69	8.75	9.06	---	9.06	9.12	7.54	7.94	
4x3	8.38	8.44	8.25	---	8.75	8.81	---	---	
4	9.00	9.06	9.38	---	9.38	9.44	10.75	9.13	
6x4	9.81	9.88	9.38	---	10.88	11.00	---	---	
6	12.19	12.25	13.25	---	13.25	13.38	11.72	12.43	
8x6	12.5	12.56	13.25	---	13.62	13.81	---	---	
CL2500									
1	---	---	6.25	6.25	6.25	6.25	---	---	
2	---	---	7.88	7.88	8.12	8.19	---	---	

1. RF-raised-face flanges; RTJ-ring-type joint flanges; BWE-buttweld ends; SWE-socketweld ends.

Table 17. Globe Valve Dimensions with Standard Bonnet

STANDARD BONNETS				
VALVE SIZE, NPS	G	D		
		Yoke Boss Diameters, mm (Inches)		
		71 (2-13/16)	90 (3-9/16)	127 (5)
mm				
CL900 and 1500				
1	52	260	267	---
2 Std, Whisper III, Cavitrol III 3-Stage	77	261	267	331
2, Cavitrol III 2-Stage	77	279	286	344
4x3, 3	121	322	311	370
6x4, 4 (long) ⁽¹⁾	175	---	300	368
8x6, 6 (long) ⁽¹⁾	248	---	365	402
CL2500				
1	63	35	35	---
2 Std, Whisper III, Cavitrol III 3-Stage	84	303	303	352
2, Cavitrol III 2-Stage	84	320	320	40
Inches				
CL900 and 1500				
1	2.06	10.25	10.50	---
2 Std, Whisper III, Cavitrol III 3-Stage	3.06	10.31	10.56	13.06
2, Cavitrol III 2-Stage	3.06	11.00	11.25	13.56
4x3, 3	4.75	12.69	12.25	14.56
6x4, 4 (long) ⁽¹⁾	6.88	---	11.81	14.50
8x6, 6 (long) ⁽¹⁾	9.75	---	14.38	15.81
CL2500				
1	2.47	10.07	10.07	---
2 Std, Whisper III, Cavitrol III 3-Stage	3.31	11.91	11.91	13.85
2, Cavitrol III 2-Stage	3.31	12.59	12.59	14.53

1. (Long) indicates industry standard long face-to-face.

Table 18. Globe Valve Dimensions with Extension Bonnet

EXTENSION BONNETS (CL900 AND 1500)				
VALVE SIZE, NPS	G	D		
		Yoke Boss Diameters, mm (Inches)		
		71 (2-13/16)	90 (3-9/16)	127 (5)
mm				
1	52	384	400	---
2 Std, Whisper III, Cavitrol III 3-Stage	77	430	446	505
2, Cavitrol III 2-Stage	77	448	464	518
Inches				
1	2.06	15.12	15.75	---
2 Std, Whisper III, Cavitrol III 3-Stage	3.06	16.94	17.56	19.88
2, Cavitrol III 2-Stage	3.06	17.62	18.25	20.38

Table 19. Globe Valve Dimensions A and B with Standard Bonnet

VALVE SIZE, NPS	A					
	CL900			CL1500		
	RF	RTJ	BWE	RF	RTJ	BWE
mm						
4 (short) ⁽¹⁾	464	467	406	483	486	406
6 (short) ⁽¹⁾	600	603	559	692	698	559
8	781	784	653	838	848	685
10	864	867	762	991	1001	822
12	1016	1019	914	1130	1146	989
Inches						
4 (short) ⁽¹⁾	18.27	18.39	15.98	19.02	19.13	15.98
6 (short) ⁽¹⁾	23.62	23.74	22.01	27.24	27.48	22.01
8	30.75	30.87	25.71	32.99	33.39	26.97
10	34.02	34.13	30.00	39.02	39.41	32.36
12	40.00	40.12	35.98	44.49	45.12	38.94
VALVE SIZE, NPS	B					
	CL900			CL1500		
	RF	RTJ	BWE	RF	RTJ	BWE
mm						
4 (short) ⁽¹⁾	232	233.5	203	241.5	243	203
6 (short) ⁽¹⁾	300	301.5	282	340	343	282
8	402.0	403.5	349.0	431.0	436.0	370.0
10	457.5	459.0	406.5	521.0	526.0	436.5
12	559.0	560.5	503.0	616.0	624.0	536.0
Inches						
4 (short) ⁽¹⁾	9.13	9.2	8	9.51	9.6	8
6 (short) ⁽¹⁾	11.81	11.9	11.1	13.39	13.5	11.1
8	15.83	15.89	13.74	16.97	17.17	14.57
10	18.01	18.07	16.00	20.51	20.71	17.19
12	22.01	22.07	19.80	24.25	24.57	21.10

1. (Short) indicates industry standard short face-to-face.

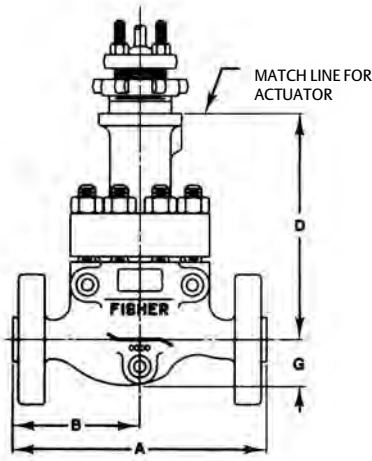
VALVE SIZE, NPS	A					
	CL2500			CL3200		
	RF	RTJ	BWE	RF	RTJ	BWE
mm						
3	498	504	381	---	---	---
4	575	585	457	---	---	---
6	819	832	610	---	---	---
8	1022	1038	762	---	---	840
10	1270	1292	1016	---	---	1016
12	1321	1343	1118	---	---	1118
14	---	---	1300	---	---	---
Inches						
3	19.61	19.84	15.00	---	---	---
4	22.64	23.03	17.99	---	---	---
6	32.24	32.76	24.02	---	---	---
8	40.24	40.87	30.00	---	---	33.07
10	50.00	50.87	40.00	---	---	40.00
12	52.01	52.87	44.02	---	---	44.02
14	---	---	51.18	---	---	---
VALVE SIZE, NPS	B					
	CL2500			CL3200		
	RF	RTJ	BWE	RF	RTJ	BWE
mm						
3	249	252	190.5	---	---	---
4	290	295	228.5	---	---	---
6	422	428.5	317.7	---	---	---
8	530.0	538.0	393.0	---	---	435.0
10	685.8	696.8	559.0	---	---	526.0
12	694.8	705.8	575.0	---	---	575.0
14	---	---	680	---	---	---
Inches						
3	9.8	9.92	7.5	---	---	---
4	11.42	11.61	9	---	---	---
6	16.61	16.87	12.5	---	---	---
8	20.87	21.18	15.47	---	---	17.13
10	27.00	27.43	22.01	---	---	20.71
12	27.35	27.79	22.64	---	---	22.64
14	---	---	26.77	---	---	---

Table 20. Globe Valve Dimensions G and D with Standard Bonnet

VALVE SIZE, NPS	G				D					
					Yoke Boss Diameters, mm (inch)					
					90 (3 9/16)			127 (5)		
	CL900	CL1500	CL2500	CL3200	CL900	CL1500	CL2500	CL900	CL1500	CL2500
mm										
3	---	---	120.4	---	---	---	401	---	---	439
4 (short) ⁽¹⁾	102.8	102.8	136.8	---	379	405	430	417	443	468
6 (short) ⁽¹⁾	130.9	141.1	204.7	---	392	411	475	479	524	475
8	259.6	281.0	314.2	311.2	---	---	---	547.1	547.1	---
10	312.5	332.0	370	390	---	---	---	556.2	565	---
12	355	377.1	418.0	408	---	---	---	618.3	653.1	---
14	---	---	397	---	---	---	---	---	---	---
Inches										
3	---	---	4.74	---	---	---	15.77	---	---	17.27
4 (short) ⁽¹⁾	4.05	4.05	5.39	---	14.92	15.95	16.93	16.42	17.45	18.42
6 (short) ⁽¹⁾	5.15	5.56	8.06	---	15.42	16.17	18.7	18.87	20.63	18.7
8	10.22	11.06	12.37	12.25	---	---	---	21.54	21.54	---
10	12.30	13.07	14.57	15.35	---	---	---	21.9	22.24	---
12	13.98	14.85	16.46	16.06	---	---	---	24.34	25.71	---
14	---	---	15.63	---	---	---	---	---	---	---
VALVE SIZE, NPS	D									
	Yoke Boss Diameters, mm (inch)									
	127 (5H)				178 (7)					
	CL900	CL1500	CL2500	CL3200	CL900	CL1500	CL2500	CL3200	CL3200	
mm										
3	---	---	---	---	---	---	---	---	---	---
4 (short) ⁽¹⁾	---	---	---	---	---	---	---	---	---	---
6 (short) ⁽¹⁾	479	524	475	---	---	---	---	---	---	---
8	547.1	547.1	620	---	---	---	620	647.3	647.3	---
10	556.2	565	647.4	---	---	---	647.4	734.3	734.3	---
12	618.3	653.1	662.7	745.8	---	653.1	662.7	745.8	745.8	---
14	---	---	747	---	---	---	747	---	---	---
Inches										
3	---	---	---	---	---	---	12.17	---	---	---
4 (short) ⁽¹⁾	---	---	---	---	---	---	19.33	---	---	---
6 (short) ⁽¹⁾	18.87	20.63	18.7	---	---	---	18.58	---	---	---
8	21.54	21.54	24.41	---	---	---	24.41	25.48	25.48	---
10	21.9	22.24	25.49	---	---	---	25.49	28.91	28.91	---
12	24.34	25.71	26.09	29.36	---	25.71	26.09	29.36	29.36	---
14	---	---	29.41	---	---	---	29.45	---	---	---

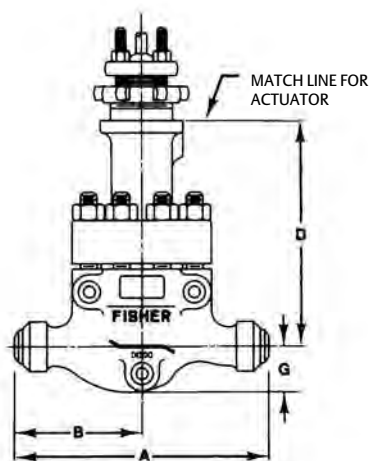
1. (Short) indicates industry standard short face-to-face.

Figure 21. Globe Valve Dimensions with Standard Bonnet (also see tables 15, 16, 17, and 18)



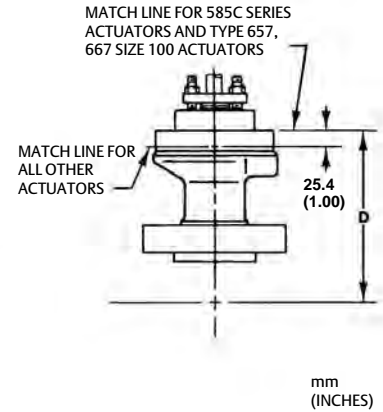
**FLANGED VALVE WITH 71 OR 90 mm
(2-13/16 OR 3-9/16 INCH)
DIAMETER YOKE BOSS**

A5700A-3



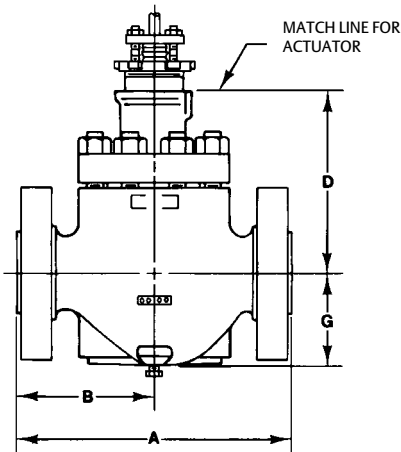
**BUTTWELD END VALVE WITH 71 OR 90 mm
(2-13/16 OR 3-9/16 INCH)
DIAMETER YOKE BOSS**

TYPICAL NPS 1, 2, AND 3



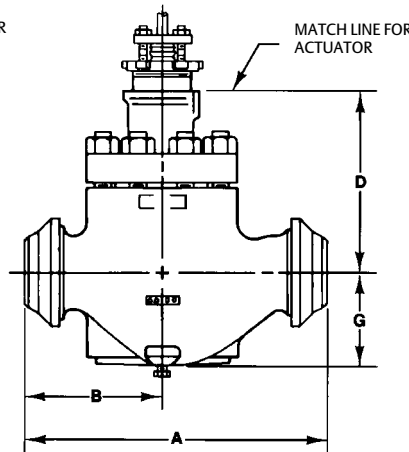
**127mm (5-INCH) DIAMETER YOKE BOSS
FOR USE WITH ALL
VALVES**

mm
(INCHES)



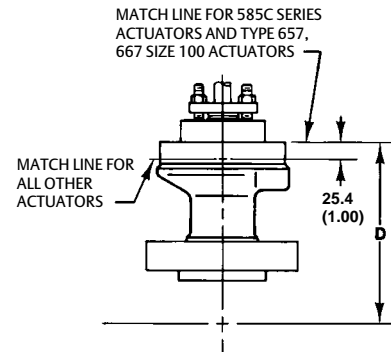
**FLANGED VALVE WITH 71 OR 90 mm
(2-13/16 OR 3-9/16 INCH)
DIAMETER YOKE BOSS**

A2719A-4



**BUTTWELD END VALVE WITH 71 OR 90 mm
(2-13/16 OR 3-9/16 INCH)
DIAMETER YOKE BOSS**

TYPICAL NPS 4, AND 6

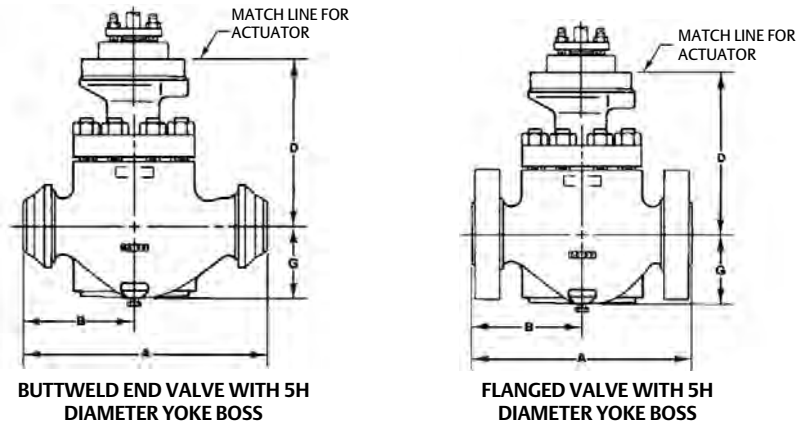


**127mm (5-INCH) DIAMETER YOKE BOSS
FOR USE WITH FLANGED OR
BUTTWELD VALVE**

mm
(INCHES)

NOTE:
For dimensions of valves with other end connections, consult your [Emerson sales office](#).

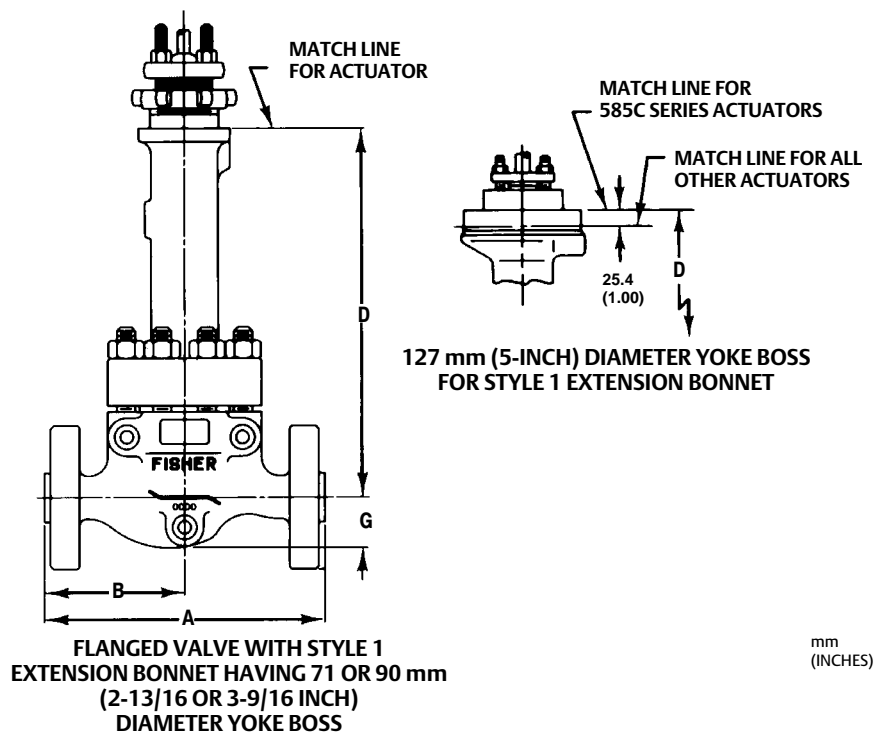
Figure 21. Globe Valve Dimensions with Standard Bonnet (also see tables 15, 16, 17, and 18) (continued)



TYPICAL NPS 8, 10, AND 12

NOTE:
For dimensions of valves with other end connections, consult your [Emerson sales office](#).

Figure 22. Dimensions D for Style 1 Extension Bonnet
(A, B, and G Dimensions Listed in Figure 21 Do Not Change When Extension Bonnet is Used) (also see table 19)



A5701A-2

Table 21. Angle Valve Dimensions with Standard/Style 1 Extension Bonnet

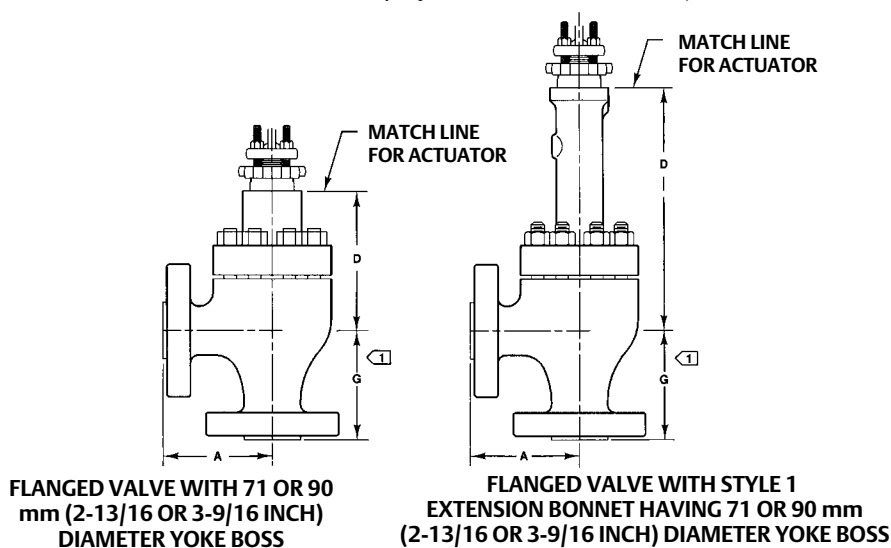
STANDARD BONNETS								
VALVE SIZE, NPS	D							
	Yoke Boss Diameters, mm (Inches)							
	71 (2-13/16)		90 (3-9/16)		127 (5)		127 (5H)	
	CL900 and 1500	CL2500	CL900 and 1500	CL2500	CL900 and 1500	CL2500	CL900 and 1500	CL2500
mm								
1	230	204	238	210	---	---	---	---
2 Std, Whisper III, Cavitrol III 3-Stage	227	240	233	229	297	288	---	---
2 Cavitrol III 2-Stage	244	257	251	246	314	305	---	---
3	259	---	265	---	329	---	---	---
4	289	---	278	---	337	---	---	---
6	---	---	300	396	368	434	---	---
8	---	---	364	414	401	414	---	414
12	---	---	---	---	---	---	---	516
Inches								
1	9.06	8.04	9.38	8.28	---	---	---	---
2 Std, Whisper III, Cavitrol III 3-Stage	8.94	9.45	9.19	9.00	11.69	11.32	---	---
2 Cavitrol III 2-Stage	9.62	10.13	9.88	9.69	12.38	12.01	---	---
3	10.19	---	10.44	---	12.94	---	---	---
4	11.38	---	10.94	---	13.25	---	---	---
6	---	---	11.81	15.59	14.50	17.09	---	---
8	---	---	14.34	16.31	15.77	16.31	---	16.31
12	---	---	---	---	---	---	---	20.32
EXTENSION BONNETS								
VALVE SIZE, NPS	D							
	Yoke Boss Diameters, mm (Inches)							
	71 (2-13/16)		90 (3-9/16)		127 (5)		127 (5H)	
	CL900 and 1500	CL2500	CL900 and 1500	CL2500	CL900 and 1500	CL2500	CL900 and 1500	CL2500
mm								
1	354	373	371	388	---	---	---	---
2 Std, Whisper III, Cavitrol III 3-Stage	395	---	411	---	470	---	---	---
2 Cavitrol III 2-Stage	413	---	429	---	487	---	---	---
Inches								
1	13.94	14.67	14.62	15.28	---	---	---	---
2 Std, Whisper III, Cavitrol III 3-Stage	15.56	---	16.19	---	18.50	---	---	---
2 Cavitrol III 2-Stage	16.25	---	16.88	---	19.19	---	---	---

Table 22. Angle Valve Dimensions with Standard/Style 1 Extension Bonnet

VALVE SIZE, NPS	G		A		A & G ⁽¹⁾						
	ASME									EN	
	CL2500		CL900		CL1500				PN160	PN250	
	SWE	SWE	RF	RTJ	BWE	SWE	RF	RTJ			
mm											
1	141	102	141	141	141	141	141	141	130	134	
2	184	124	178	179	178	178	178	179	163	170	
3	---	---	226	227	235	---	235	237	---	---	
4	---	---	273	275	273	---	273	275	---	---	
6	---	---	325	327	353	---	353	356	---	---	
8	---	---	387	389	416	---	416	421	---	---	
Inches											
1	5.56	4.00	5.56	5.56	5.56	5.56	5.56	5.56	5.10	5.26	
2	7.25	4.88	7.00	7.06	7.00	7.00	7.00	7.06	6.40	6.71	
3	---	---	8.88	8.94	9.25	---	9.25	9.31	---	---	
4	---	---	10.75	10.81	10.75	---	10.75	10.81	---	---	
6	---	---	12.81	12.88	13.88	---	13.88	14.00	---	---	
8	---	---	15.25	15.31	16.38	---	16.38	16.56	---	---	

1. RF—raised-face flanges; RTJ—ring-type-joint flanges; BWE—butt-weld ends; SWE—socket-weld ends.

Figure 23. Angle Valve Dimensions with Standard/Style 1 Extension Bonnet (also see tables 21 and 22)



A6018A-1

¹ For CL900 and 1500 valves, G = A. For CL2500 valves, see table 22 for the G dimension.
Note: For dimensions of valves with other end connections, consult your [Emerson sales office](#).

Neither Emerson, Emerson Automation Solutions, nor any of their affiliated entities assumes responsibility for the selection, use or maintenance of any product. Responsibility for proper selection, use, and maintenance of any product remains solely with the purchaser and end user.

Fisher, FIELDVUE, WhisperFlo, Cavitrol, Whisper Trim, and ENVIRO-SEAL are marks owned by one of the companies in the Emerson Automation Solutions business unit of Emerson Electric Co. Emerson Automation Solutions, Emerson, and the Emerson logo are trademarks and service marks of Emerson Electric Co. All other marks are the property of their respective owners.

The contents of this publication are presented for informational purposes only, and while every effort has been made to ensure their accuracy, they are not to be construed as warranties or guarantees, express or implied, regarding the products or services described herein or their use or applicability. All sales are governed by our terms and conditions, which are available upon request. We reserve the right to modify or improve the designs or specifications of such products at any time without notice.

Emerson Automation Solutions
Marshalltown, Iowa 50158 USA
Sorocaba, 18087 Brazil
Cernay, 68700 France
Dubai, United Arab Emirates
Singapore 128461 Singapore

www.Fisher.com

