

## API 602 GLOBE VALVES RF/RTJ, CLASS 150, 300 & 600

### Design Characteristics

- API 602 & ASME B16.34
- Bolted Bonnet
- Tapered loose disc
- Stem with ACME Threaded (OS&Y)
- Bolted Gland Bushing
- Standard Port
- Integral flanged ends (Raised Face or Ring Type Joint)
- Spiral Wound Gasket
- Integral Seat Ring

PORT	CLASS	CATALOG FIGURE No.	ENDS TYPES
Standard	150	5615RF	Flanged Raised Face
		5615RTJ	Flanged Ring Type Joint
Standard	300	5630RF	Flanged Raised Face
		5630RTJ	Flanged Ring Type Joint
Standard	600	5660RF	Flanged Raised Face
		5660RTJ	Flanged Ring Type Joint

### Dimensions and Weights

Fig. 5615 Standard Port

Sizes	in	1/2"	3/4"	1"	1 1/4"	1 1/2"	2"
	mm	13	19	25	32	38	51
A (RF)	in	4.25	4.63	5.00	5.50	6.50	8.00
	mm	108	117	127	140	165	203
A (RJ)	in	-	-	5.50	6.00	7.00	8.50
	mm	-	-	140	153	178	216
B (open)	in	6.02	6.22	7.56	8.94	9.44	10.98
	mm	153	158	192	227	240	279
C	in	3.94	3.94	4.92	6.30	6.30	7.09
	mm	100	100	125	160	160	180
D	in	.39	.51	.69	.91	1.12	1.4
	mm	10	13	17.5	23	28.5	35
Weight	lb	9.9	15.2	21.6	29.7	42.9	61.6
	kg	4.5	6.9	9.8	13.5	19.5	28.0

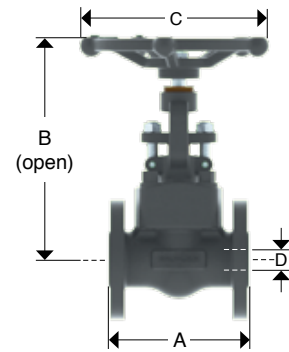


Fig. 5630 Standard Port

Sizes	in	1/2"	3/4"	1"	1 1/4"	1 1/2"	2"
	mm	13	19	25	32	38	51
A (RF)	in	6.00	7.00	8.00	8.50	9.00	10.50
	mm	152	178	203	216	229	267
A (RJ)	in	6.44	7.50	8.50	9.00	9.50	11.13
	mm	163	191	216	229	242	283
B (open)	in	6.22	6.22	7.56	8.94	9.49	10.98
	mm	158	158	192	227	240	279
C	in	3.94	3.94	4.92	6.30	6.30	7.09
	mm	100	100	125	160	160	180
D	in	.39	.51	.69	.91	1.12	1.4
	mm	10	13	17.5	23	28.5	35
Weight	lb	10.56	16.94	24.2	36.96	46.64	71.72
	kg	4.80	7.70	11.00	16.80	21.20	32.60

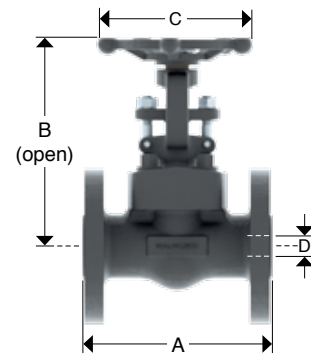


Fig. 5660 Standard Port

Sizes	in	1/2"	3/4"	1"	1 1/4"	1 1/2"	2"
	mm	13	19	25	32	38	51
A (RF)	in	6.50	7.50	8.50	9.00	9.50	11.50
	mm	165	190	216	229	241	292
A (RJ)	in	6.44	7.50	8.50	9.00	9.50	11.63
	mm	163	190	216	229	241	295
B (open)	in	6.22	6.22	7.56	8.94	9.49	10.98
	mm	158	158	192	227	240	279
C	in	3.94	3.94	4.92	6.30	6.30	7.09
	mm	100	100	125	160	160	180
D	in	.39	.51	.69	.91	1.12	1.4
	mm	10	13	17.5	23	28.5	35
Weight	lb	12.32	17.16	27.5	37.4	51.7	85.36
	kg	5.60	7.80	12.50	17.00	23.50	38.80

