

# NELES

## Flanged Jamesbury™ ball valves ASME class 150 & 300 full bore: 1/2" - 24" (DN 15 - 600) series 9000

The Jamesbury™ polymer-seated flanged ball valves provide industry leading performance and reliability. Offered in a wide variety of materials to suit an extensive range of applications these valves are designed and manufactured with all our latest technology and expertise.

### Unique Sealing

The superior performance of Jamesbury ball valves is achieved by the unique design of the seats. The flexible lip seats exert continuous sealing pressure on the ball and automatically compensate for wear and changes in pressure and temperature, yielding positive bi-directional zero-leak shut-off. The stem seal sealing system ensures minimum emissions.

### Materials

Standard products are available with carbon steel body and stainless steel trim or all stainless steel construction. Special body and trim materials such as Alloy 20, Hastelloy® C, and others are available upon request. For applications involving chemicals, acids, caustics, and steam we recommend our Xtreme™ seat material, which provides superior life-cycle and sealing performance compared to virgin or filled PTFE. We can accommodate nearly any special customer or application specific requirement.

### Fire-Tite™ Valves

All Jamesbury Fire-Tite flanged ball valves are qualified to API 607 and ISO 10497. This ensures minimal leakage in the event of a fire.

### CE marked

CE marked and documented product conforming to the European Pressure Equipment Directive (PED) 2014/68/EU and ATEX Directive 2014/34/EU Equipment category II 2 G/D is available as standard product.

### Features And Benefits

- Robust engineering design yields leading cycle life
- Outstanding quality provides confidence



- Flexible lip seat provides bi-directional zero-leak shut-off and minimum maintenance
- Xtreme seats provide longer life and expanded pressure-temperature capability
- Patented stem seal system engineered to provide superior emissions performance (1/2" - 11/2")
- Live loaded stem packing enhances emissions performance and reduces maintenance (1/2" - 12")
- ISO 5211 bonnet mounting design (1/2" - 6")
- Compliant with API-598 (1/2"-12")
- API 607 qualified
- API 608 compliance & grounding as standard (2" -12")
- ISO 15848-1 Class BH rated (1/2" - 6")
- Standard materials meet requirements of NACE MR0103 and MR0175 (See How to order page)
- SIL 3 qualified

### Emission-Pak™ Valves

Jamesbury Emission-Pak products feature a double stem seal packing system to provide additional sealing performance for critical services. This feature is ISO 15848-1 Class AH rated.

### Automated Assemblies

Valves, actuators, and accessories designed to mate together with precision ensures superior performance.

## SPECIFICATIONS

### Flow Data

The table at right provides flow coefficients for Jamesbury valves covered in this bulletin.  $C_v$  values represent the flow of water at +60°F through the valve in U.S. gallons per minute at a pressure drop of 1 psi. The metric equivalent,  $K_v$ , is the flow of water at +16°C through the valve in cubic meters per hour at a pressure drop of 1 kg/cm<sup>2</sup>. To convert  $C_v$  to  $K_v$ , multiply by 0.8569.

### Valve Body Ratings

These are the maximum working pressure ratings of the valve body only. The seat ratings, shown on the next page, determine the practical temperature and pressure limitations according to actual service conditions.

| Valve Size | $C_v$  |        |
|------------|--------|--------|
|            | Inches | DN     |
| 1/2        | 15     | 9      |
| 3/4        | 20     | 50     |
| 1          | 25     | 100    |
| 1-1/2      | 40     | 270    |
| 2          | 50     | 490    |
| 3          | 80     | 1160   |
| 4          | 100    | 2200   |
| 6          | 150    | 5100   |
| 8          | 200    | 9300   |
| 10         | 250    | 15,200 |
| 12         | 300    | 22,400 |
| 14         | 350    | 27,000 |
| 16         | 400    | 37,000 |
| 18         | 450    | 47,000 |
| 20         | 500    | 60,000 |

| Maximum Working Pressure, psi |              |                     |          |        |              |                     |
|-------------------------------|--------------|---------------------|----------|--------|--------------|---------------------|
| Temp °F                       | Class 150    |                     |          |        | Class 300    |                     |
|                               | Carbon steel | 316 Stainless steel | Alloy 20 | Monel® | Carbon steel | 316 Stainless steel |
| -20 to 100                    | 285          | 275                 | 230      | 230    | 740          | 720                 |
| 200                           | 260          | 235                 | 200      | 200    | 675          | 620                 |
| 300                           | 230          | 215                 | 190      | 190    | 655          | 560                 |
| 400                           | 200          | 195                 | 190      | 185    | 635          | 515                 |
| 500                           | 170          | 170                 | 170      | 170    | 600          | 480                 |
| Test Pressure                 | 450          | 425                 | 350      | 350    | 1125         | 1100                |

| Maximum Working Pressure, bar |              |                     |          |       |              |                     |
|-------------------------------|--------------|---------------------|----------|-------|--------------|---------------------|
| Temp °C                       | Class 150    |                     |          |       | Class 300    |                     |
|                               | Carbon steel | 316 Stainless steel | Alloy 20 | Monel | Carbon steel | 316 Stainless steel |
| -29 to 38                     | 19.6         | 19.0                | 15.9     | 15.9  | 51.1         | 49.6                |
| 93                            | 17.7         | 16.2                | 13.5     | 13.5  | 46.6         | 42.2                |
| 149                           | 15.8         | 14.8                | 13.1     | 13.1  | 45.1         | 38.5                |
| 204                           | 13.8         | 13.7                | 13.1     | 13.1  | 43.8         | 35.7                |
| 260                           | 11.7         | 11.7                | 11.7     | 11.7  | 41.9         | 33.4                |
| Test Pressure                 | 30           | 29                  | 24       | 24    | 77           | 75                  |

### Valve Seat Ratings

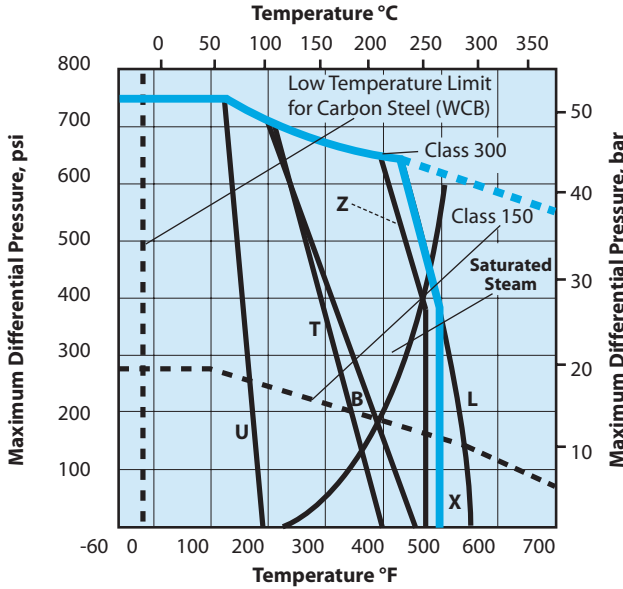
Seat ratings, indicated by solid lines in the charts on the next page, are based on differential pressure with the valve ball in the fully closed position and refer to seats only. The dotted lines indicate maximum working pressures for WCB carbon steel valve bodies. (Maximum working pressures of other body materials are shown in the tables above.) The combination of dotted and solid lines indicates the maximum valve rating at specific pressure and temperature conditions. Valves with PTFE, Xtreme, PEEK®, PFA, and UHMW polyethylene seats can be used in service to -100°F (-73°C) provided that the valve body material is suitable for such a temperature. Carbon steel valves are rated to -20°F (-29°C).

For more application information on seat materials, refer to Bulletin T140-1.

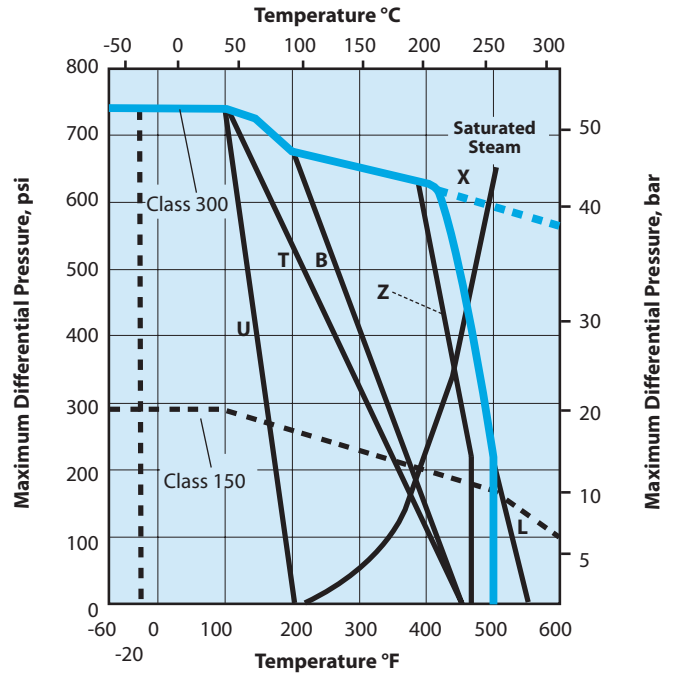
### Xtreme Performance and Value

Xtreme seats provide longer life, expanded performance boundaries, and the greatest possible value. Xtreme material is unique, resulting from a technological breakthrough in our polymer research lab. The material is a proprietary fluoropolymer based blend that provides superior quarter-turn performance.

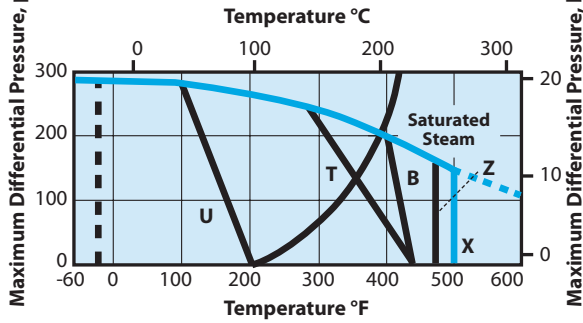
**1/2" - 1-1/2" (DN 15 - 40) Full Bore**



**2" - 4" (DN 50 - 100) Full Bore**



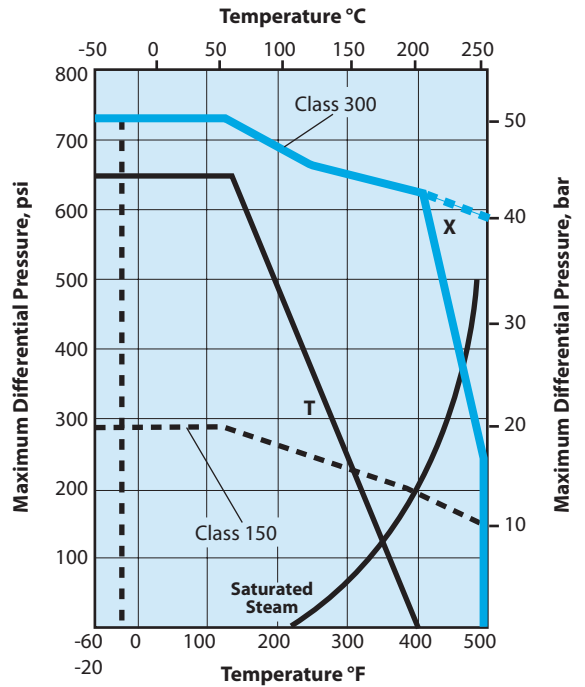
**6" (DN 150) Full Bore Non-Trunnion**



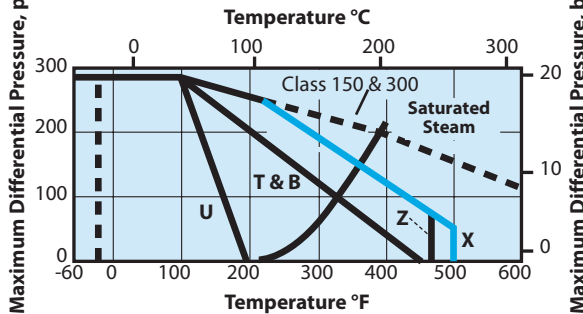
\* ASME Class 300 Non-Trunnion is 275 psi (19 bar) max.

**Trunnion Valves**

**6" - 24" (DN 150 - 600) Full Bore**



**8" (DN 200) Full Bore Non-Trunnion**

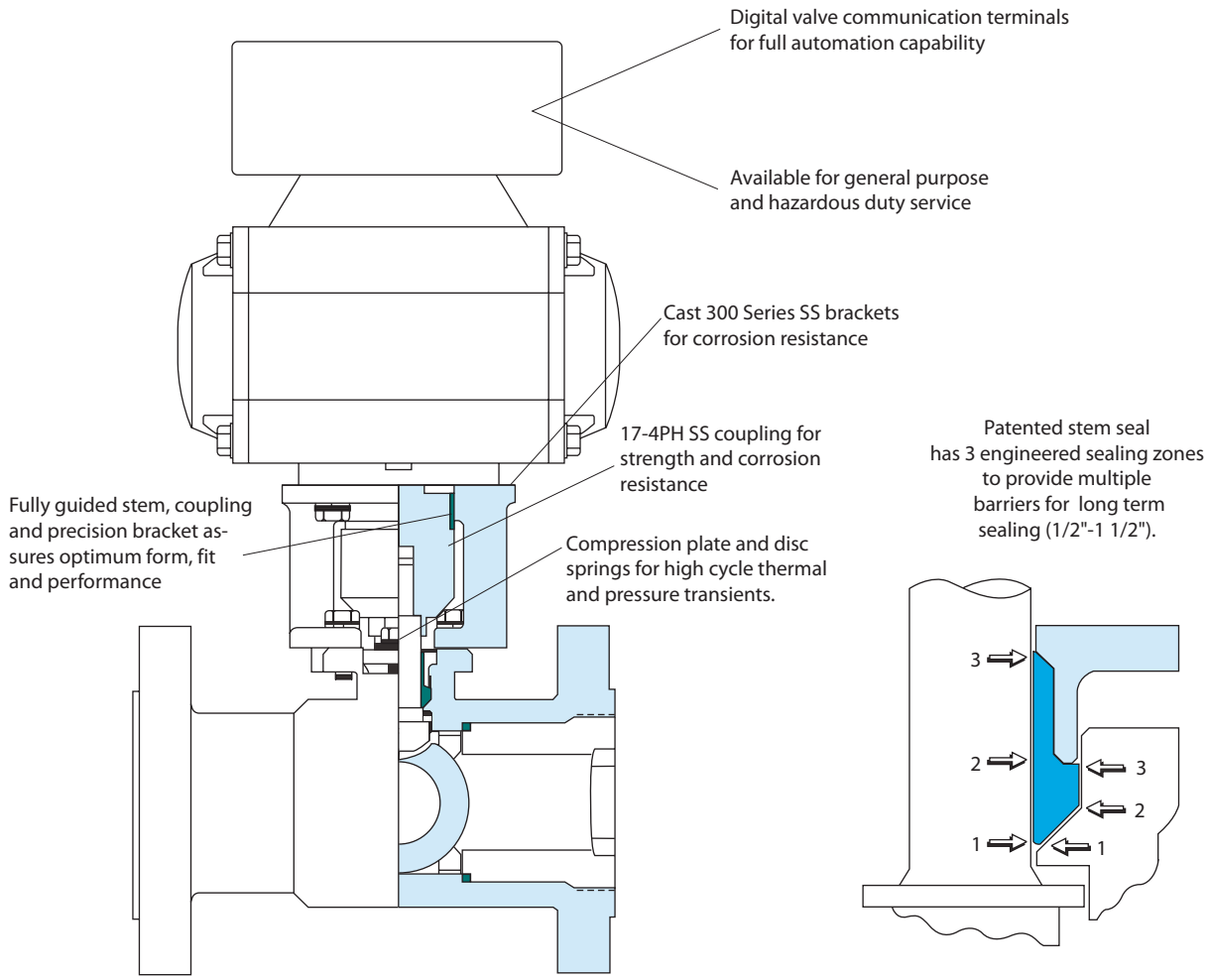


\* ASME Class 300 Non-Trunnion is 275 psi (19 bar) max.

**LEGEND:**

- T = PTFE
- U = UHMW
- B = PFA
- L = PEEK
- Z = TFM
- X = Xtreme

**The Ultimate Process Automation Package for VPVL Pneumatic Actuators,  
V-Series, ADC-Series and QX-Series Electric Actuators  
With 1/2" - 6" (DN 15 - 150) Full Port Series 9000**



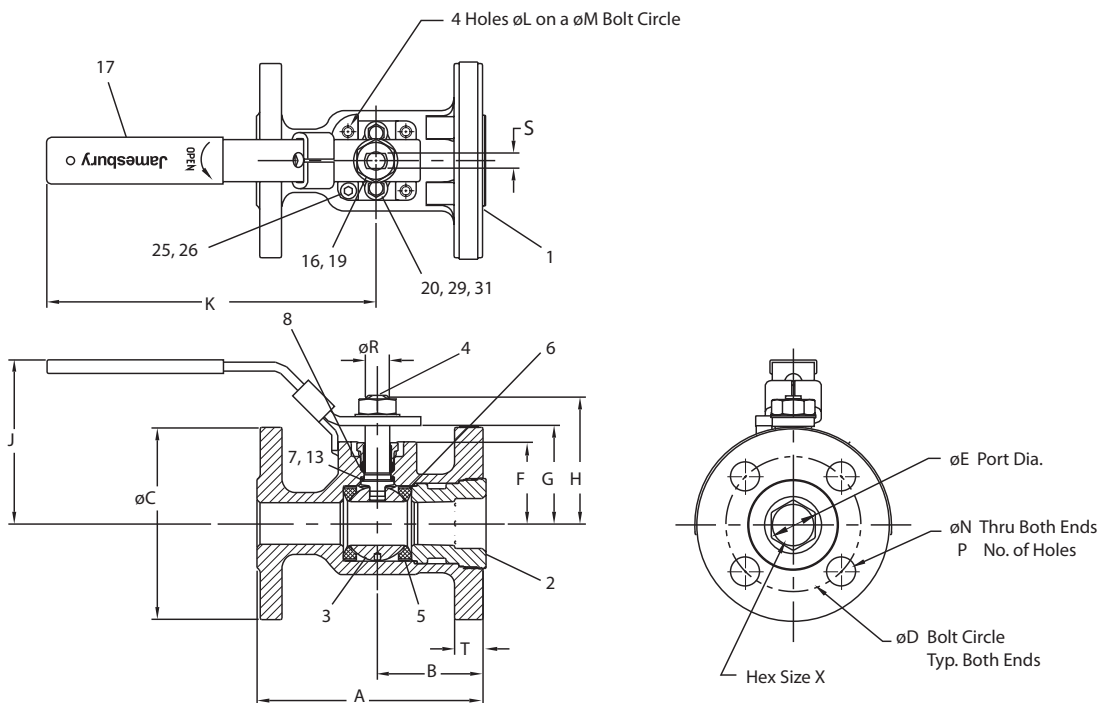
**Automation Performance and Value**

Valves combined with Jamesbury actuators offer a total value and performance package. Available with pneumatic Valv-Powr™ VPVL actuators, V-Series, ADC-Series and QX-Series electric actuators and with Stonel™ Quartz™

and Hawkeye™ digital monitors or VCTs, the packages have a wide range of applications. Visit our website at [www.neles.com](http://www.neles.com)

**DIMENSIONS**

**1/2" – 1-1/2" (DN15 – 40) Series 9150 ASME Class 150 and Series 9300 ASME Class 300 (Non-Trunnion)**



| Valve Size<br>inches | Series 9150 ASME Class 150 Approximate Dimensions - inches |      |      |      |      |      |      |      |      |      |    |      |      |   |      |      | Hex<br>Size | ISO<br>Bonnet | Approx<br>Weight lb |     |
|----------------------|--|------|------|------|------|------|------|------|------|------|----|------|------|---|------|------|-------------|---------------|---------------------|-----|
|                      | A  | B    | C    | D    | E    | F    | G    | H    | J    | K    | L  | M    | N    | P | R    | S    |             |               |                     | T   |
| 1/2                  | 4.25   | 1.94 | 3.50 | 2.38 | 0.50 | 1.06 | 1.33 | 1.63 | 3.38 | 5.00 | M5 | 1.42 | 0.62 | 4 | 0.31 | 0.18 | 0.50        | 0.50          | F03                 | 3.5 |
| 3/4                  | 4.63   | 2.19 | 3.88 | 2.75 | 0.88 | 1.65 | 2.04 | 2.58 | 3.69 | 6.50 | M5 | 1.65 | 0.62 | 4 | 0.50 | 0.31 | 0.63        | 0.88          | F04                 | 10  |
| 1                    | 5.00   | 2.19 | 4.25 | 3.12 | 1.00 | 1.78 | 2.17 | 2.71 | 3.94 | 6.50 | M5 | 1.65 | 0.62 | 4 | 0.50 | 0.31 | 0.63        | 1.00          | F04                 | 13  |
| 1-1/2                | 6.50   | 2.64 | 5.00 | 3.88 | 1.50 | 2.26 | 2.78 | 3.49 | 4.46 | 8.00 | M6 | 1.97 | 0.62 | 4 | 0.62 | 0.37 | 0.69        | 1.50          | F05                 | 17  |

| Valve Size<br>DN | Series 9150 ASME Class 150 Approximate Dimensions - mm |    |     |    |    |    |    |    |     |     |    |    |    |   |    |   | Hex<br>Size | ISO<br>Bonnet | Approx<br>Weight kg |     |
|------------------|--|----|-----|----|----|----|----|----|-----|-----|----|----|----|---|----|---|-------------|---------------|---------------------|-----|
|                  | A  | B  | C   | D  | E  | F  | G  | H  | J   | K   | L  | M  | N  | P | R  | S |             |               |                     | T   |
| 15               | 108  | 49 | 89  | 60 | 13 | 27 | 34 | 41 | 86  | 127 | M5 | 36 | 16 | 4 | 8  | 5 | 13          | 13            | F03                 | 1.6 |
| 20               | 118  | 56 | 99  | 70 | 22 | 42 | 52 | 66 | 94  | 165 | M5 | 42 | 16 | 4 | 13 | 8 | 16          | 22            | F04                 | 4.5 |
| 25               | 127  | 56 | 108 | 79 | 25 | 45 | 55 | 69 | 100 | 165 | M5 | 42 | 16 | 4 | 13 | 8 | 16          | 25            | F04                 | 5.9 |
| 40               | 165  | 67 | 127 | 99 | 38 | 57 | 71 | 89 | 113 | 203 | M6 | 50 | 16 | 4 | 16 | 9 | 18          | 38            | F05                 | 7.7 |

| Valve Size<br>inches | Series 9300 ASME Class 300 Approximate Dimensions - inches |      |      |      |      |      |      |      |      |      |    |      |      |   |      |      | Hex<br>Size | ISO<br>Bonnet | Approx<br>Weight lb |    |
|----------------------|--|------|------|------|------|------|------|------|------|------|----|------|------|---|------|------|-------------|---------------|---------------------|----|
|                      | A  | B    | C    | D    | E    | F    | G    | H    | J    | K    | L  | M    | N    | P | R    | S    |             |               |                     | T  |
| 1/2                  | 5.50   | 1.94 | 3.75 | 2.62 | 0.50 | 1.06 | 1.33 | 1.63 | 3.38 | 5.00 | M5 | 1.42 | 0.62 | 4 | 0.31 | 0.18 | 0.56        | 0.50          | F03                 | 6  |
| 3/4                  | 6.00   | 2.19 | 4.63 | 3.25 | 0.88 | 1.65 | 2.04 | 2.58 | 3.69 | 6.50 | M5 | 1.65 | 0.75 | 4 | 0.50 | 0.31 | 0.63        | 0.88          | F04                 | 13 |
| 1                    | 6.50   | 2.19 | 4.88 | 3.50 | 1.00 | 1.78 | 2.17 | 2.71 | 3.94 | 6.50 | M5 | 1.65 | 0.75 | 4 | 0.50 | 0.31 | 0.69        | 1.00          | F04                 | 17 |
| 1-1/2                | 7.50   | 2.64 | 6.13 | 4.50 | 1.50 | 2.26 | 2.78 | 3.49 | 4.46 | 8.00 | M6 | 1.97 | 0.88 | 4 | 0.62 | 0.37 | 0.81        | 1.50          | F05                 | 22 |

| Valve Size<br>DN | Series 9300 ASME Class 300 Approximate Dimensions - mm |    |     |     |    |    |    |    |     |     |    |    |    |   |    |   | Hex<br>Size | ISO<br>Bonnet | Approx<br>Weight kg |      |
|------------------|--|----|-----|-----|----|----|----|----|-----|-----|----|----|----|---|----|---|-------------|---------------|---------------------|------|
|                  | A  | B  | C   | D   | E  | F  | G  | H  | J   | K   | L  | M  | N  | P | R  | S |             |               |                     | T    |
| 15               | 140  | 49 | 95  | 67  | 13 | 27 | 34 | 41 | 86  | 127 | M5 | 36 | 16 | 4 | 8  | 5 | 14          | 13            | F03                 | 2.7  |
| 20               | 152  | 56 | 118 | 83  | 22 | 42 | 52 | 66 | 94  | 165 | M5 | 42 | 19 | 4 | 13 | 8 | 16          | 22            | F04                 | 5.9  |
| 25               | 165  | 56 | 124 | 89  | 25 | 45 | 55 | 69 | 100 | 165 | M5 | 42 | 19 | 4 | 13 | 8 | 18          | 25            | F04                 | 7.7  |
| 40               | 190  | 67 | 156 | 114 | 38 | 57 | 71 | 89 | 113 | 203 | M6 | 50 | 22 | 4 | 16 | 9 | 21          | 38            | F05                 | 10.0 |

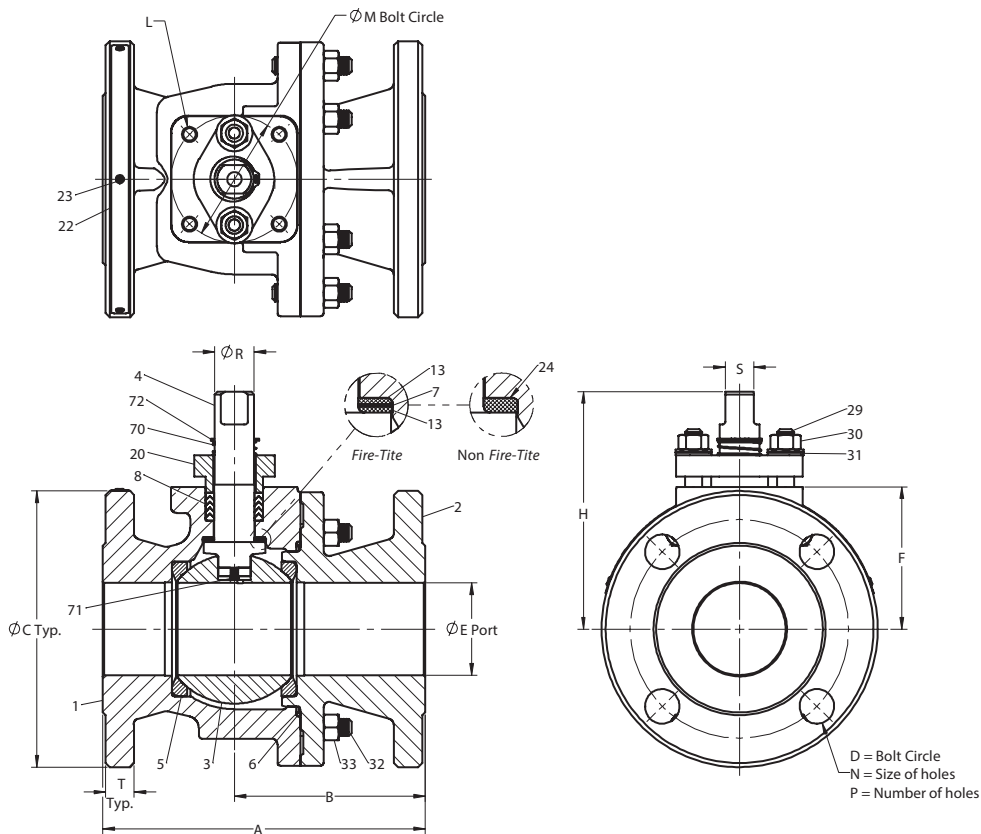
| BILLS OF MATERIALS AND PARTS LIST                                |                     |   |   |                              |                                   |
|--|---------------------|---|---|------------------------------|-----------------------------------|
| Fire-Tite 1/2" - 1-1/2" (DN15 - 40) Full Port Series 9000 Valves |                     |   |   |                              |                                   |
| Part No.   | Part Name           | Body Material                                     |   |                              |                                   |
|  |                     | Carbon Steel (22)                                 | 316 Stainless Steel (36)                | Alloy 20 (35)                | Monel (71)                        |
| 1  | Body                | Carbon Steel ASTM A216 Type WCB                   | 316 Stainless Steel ASTM A351 Type CF8M | Alloy 20 ASTM A351 Type CN7M | Monel ASTM A494 M35-1             |
| 2  | Insert              | Carbon Steel ASTM A216 Type WCB                   | 316 Stainless Steel ASTM A351 Type CF8M | Alloy 20 ASTM A351 Type CN7M | Monel ASTM A494 M35-1             |
| 3  | Ball                | 316 Stainless Steel, Monel, Hastelloy C           |   | Alloy 20                     | Monel, Hastelloy C as specified   |
| 4  | Stem                | 316 Stainless Steel, 17-4PH, K-Monel, Hastelloy C |   | Alloy 20                     | K-Monel, Hastelloy C as specified |
| 5  | Seat                | PTFE, Xtreme, PFA                                 |   |                              |                                   |
| 6  | Body Seal           | TFM   |   |                              |                                   |
| 7  | Secondary Stem Seal | Graphite  |   |                              |                                   |
| 8  | Primary Stem Seal   | PTFE (w/ PTFE seats), TFM (w/ Xtreme & PFA seats) |   |                              |                                   |
| 13   | Stem Bearing        | PTFE, Filled PTFE                                 |   |                              |                                   |
| 16   | Hex Nut             | Carbon Steel (zinc plated)                        | 300 Series Stainless Steel              |                              |                                   |
| 17   | Handle              | Carbon Steel (zinc plated)                        | 300 Series Stainless Steel              |                              |                                   |
| 19   | Lock Washer         | Carbon Steel (zinc plated)                        | 400 Series Stainless Steel              |                              |                                   |
| 20   | Compression Plate   | 316 Stainless Steel                               |   |                              | Monel                             |
| 22   | Identification Tag  | Stainless Steel                                   |   |                              |                                   |
| 23   | Pop Rivet           | Stainless Steel                                   |   |                              |                                   |
| 25   | Socket Cap Screw    | 300 Stainless Steel                               |   |                              |                                   |
| 26   | Handle Stop Screw   | 300 Stainless Steel                               |   |                              |                                   |
| 29   | Hex Cap Screw       | 300 Stainless Steel                               |   |                              | Monel                             |
| 31   | Disc Springs        | Inconel®  |   |                              |                                   |

| BILLS OF MATERIALS AND PARTS LIST                                    |                    |   |   |                              |                                   |
|--|--------------------|---|---|------------------------------|-----------------------------------|
| Non-Fire-Tite 1/2" - 1-1/2" (DN15 - 40) Full Port Series 9000 Valves |                    |   |   |                              |                                   |
| Part No.   | Part Name          | Body Material   |   |                              |                                   |
|  |                    | Carbon Steel (22)   | 316 Stainless Steel (36)                | Alloy 20 (35)                | Monel (71)                        |
| 1  | Body               | Carbon Steel ASTM A216 Type WCB   | 316 Stainless Steel ASTM A351 Type CF8M | Alloy 20 ASTM A351 Type CN7M | Monel ASTM A494 M35-1             |
| 2  | Insert             | Carbon Steel ASTM A216 Type WCB   | 316 Stainless Steel ASTM A351 Type CF8M | Alloy 20 ASTM A351 Type CN7M | Monel ASTM A494 M35-1             |
| 3  | Ball               | 316 Stainless Steel, Monel, Hastelloy C   |   | Alloy 20                     | Monel, Hastelloy C as specified   |
| 4  | Stem               | 316 Stainless Steel, 17-4PH, K-Monel, Hastelloy C   |   | Alloy 20                     | K-Monel, Hastelloy C as specified |
| 5  | Seat               | PTFE, Xtreme, PFA, PEEK <sup>1</sup> & UHMWPE   |   |                              |                                   |
| 6  | Body Seal          | TFM (w/ PTFE, Xtreme, PFA seats), UHMWPE (w/ UHMWPE seats), Graphite (w/ PEEK seats)                      |   |                              |                                   |
| 8  | Primary Stem Seal  | PTFE (w/ PTFE seats), TFM (w/ Xtreme & PFA seats), UHMWPE (w/ UHMWPE seats), Graphite (w/ PEEK seats)     |   |                              |                                   |
| 10   | Stem Guide         | PEEK (PEEK seated valves)   |   |                              |                                   |
| 16   | Hex Nut            | Carbon Steel (zinc plated)  | 300 Series Stainless Steel              |                              |                                   |
| 17   | Handle             | Carbon Steel (zinc plated)  | 300 Series Stainless Steel              |                              |                                   |
| 19   | Lock Washer        | Carbon Steel (zinc plated)  | 400 Series Stainless Steel              |                              |                                   |
| 20   | Compression Plate  | 316 Stainless Steel   |   |                              | Monel                             |
| 22   | Identification Tag | Stainless Steel   |   |                              |                                   |
| 23   | Pop Rivet          | Stainless Steel   |   |                              |                                   |
| 24   | Stem Bearing       | PTFE (w/ PTFE seats), Filled PTFE (w/ Xtreme & PFA seats), PEEK (w/ PEEK seats), UHMWPE (w/ UHMWPE seats) |   |                              |                                   |
| 25   | Socket Cap Screw   | 300 Stainless Steel   |   |                              |                                   |
| 26   | Handle Stop Screw  | 300 Stainless Steel   |   |                              |                                   |
| 29   | Hex Cap Screw      | 300 Stainless Steel   |   |                              | Monel                             |
| 31   | Disc Springs       | Inconel   |   |                              |                                   |

**Note 1:** 17-4 PH stems required with PEEK seats

**DIMENSIONS**

**2"– 6" (DN50 – 150) Series 9150 ASME Class 150 and  
2"– 4" (DN50 – 100) Series 9300 ASME Class 300 (Non-Trunnion)**



| Series 9150 ASME Class 150 Approximate Dimensions - inches |       |      |       |      |      |      |       |     |      |      |   |      |      |      |             |           |
|--|-------|------|-------|------|------|------|-------|-----|------|------|---|------|------|------|-------------|-----------|
| Valve Size inches  | A     | B    | C     | D    | E    | F    | H     | L   | M    | N    | P | R    | S    | T    | ISO Pattern | Weight lb |
| 2  | 7.00  | 4.14 | 6.00  | 4.75 | 2.00 | 3.09 | 5.16  | M8  | 2.76 | 0.75 | 4 | 0.86 | 0.62 | 0.62 | F07         | 29        |
| 3  | 8.00  | 4.26 | 7.50  | 6.00 | 3.00 | 3.90 | 5.95  | M8  | 2.76 | 0.75 | 4 | 0.86 | 0.62 | 0.75 | F07         | 49        |
| 4  | 9.00  | 4.50 | 9.00  | 7.50 | 4.00 | 5.51 | 8.24  | M10 | 4.02 | 0.75 | 8 | 1.11 | 0.81 | 0.94 | F10         | 89        |
| 6  | 15.50 | 8.25 | 11.00 | 9.50 | 6.00 | 7.27 | 10.37 | M12 | 4.92 | 0.88 | 8 | 1.61 | 1.12 | 1.00 | F12         | 244       |

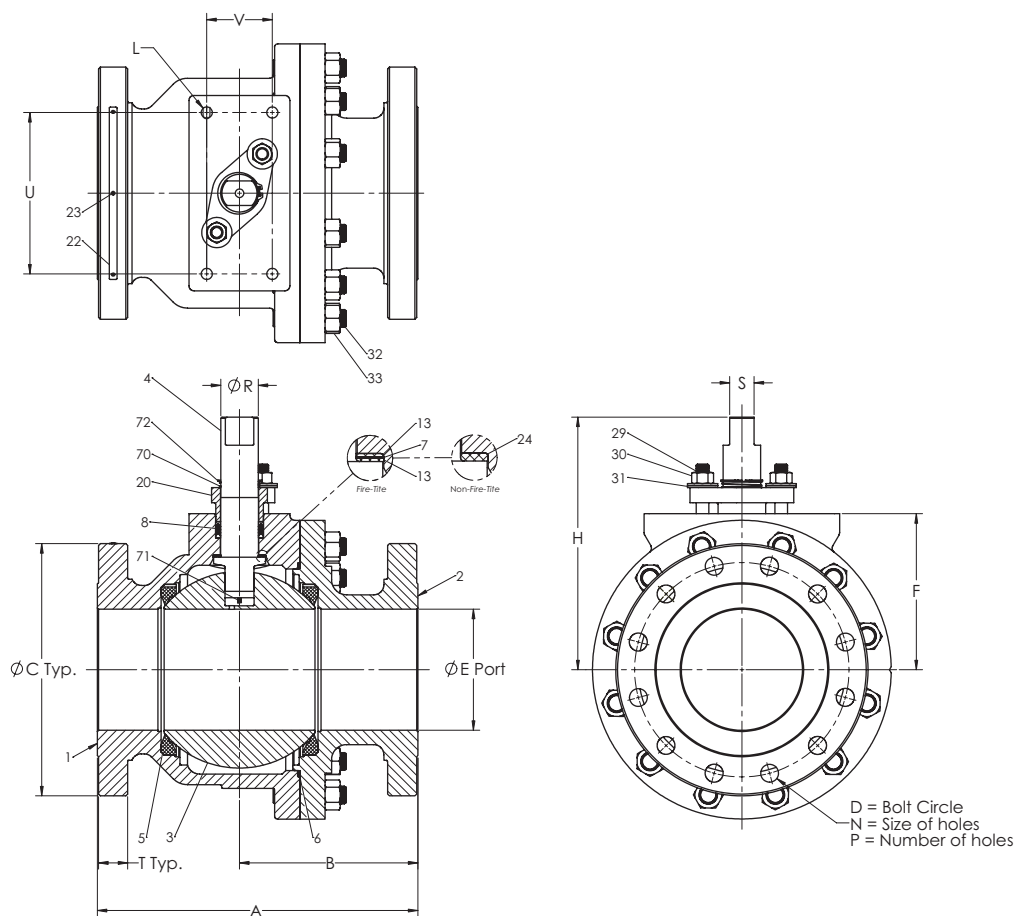
| Series 9150 ASME Class 150 Approximate Dimensions - mm |     |     |     |     |     |     |     |     |     |    |   |    |    |    |             |           |
|--|-----|-----|-----|-----|-----|-----|-----|-----|-----|----|---|----|----|----|-------------|-----------|
| Valve Size DN  | A   | B   | C   | D   | E   | F   | H   | L   | M   | N  | P | R  | S  | T  | ISO Pattern | Weight kg |
| 50   | 178 | 105 | 152 | 121 | 51  | 78  | 131 | M8  | 70  | 19 | 4 | 22 | 16 | 16 | F07         | 13        |
| 80   | 203 | 108 | 191 | 152 | 76  | 99  | 151 | M8  | 70  | 19 | 4 | 22 | 16 | 19 | F07         | 22        |
| 100  | 229 | 114 | 229 | 191 | 102 | 140 | 209 | M10 | 102 | 19 | 8 | 28 | 21 | 24 | F10         | 40        |
| 150  | 394 | 210 | 279 | 241 | 152 | 185 | 263 | M12 | 125 | 22 | 8 | 41 | 28 | 25 | F12         | 111       |

| Series 9300 ASME Class 300 Approximate Dimensions - inches |       |      |       |      |   |      |      |     |      |      |   |      |      |      |             |           |
|--|-------|------|-------|------|---|------|------|-----|------|------|---|------|------|------|-------------|-----------|
| Valve Size inches  | A     | B    | C     | D    | E | F    | H    | L   | M    | N    | P | R    | S    | T    | ISO Pattern | Weight lb |
| 2  | 8.50  | 4.89 | 6.50  | 5.00 | 2 | 3.09 | 5.16 | M8  | 2.76 | 0.75 | 8 | 0.86 | 0.62 | 0.87 | F07         | 37        |
| 3  | 11.12 | 6.11 | 8.25  | 6.62 | 3 | 4.69 | 7.40 | M10 | 4.02 | 0.88 | 8 | 1.11 | 0.81 | 1.12 | F10         | 77        |
| 4  | 12.00 | 6.86 | 10.00 | 7.88 | 4 | 5.66 | 8.75 | M12 | 4.92 | 0.88 | 8 | 1.61 | 1.12 | 1.25 | F12         | 136       |

| Series 9300 ASME Class 300 Approximate Dimensions - mm |     |     |     |     |     |     |     |     |     |    |   |    |    |    |             |           |
|--|-----|-----|-----|-----|-----|-----|-----|-----|-----|----|---|----|----|----|-------------|-----------|
| Valve Size DN  | A   | B   | C   | D   | E   | F   | H   | L   | M   | N  | P | R  | S  | T  | ISO Pattern | Weight kg |
| 50   | 216 | 124 | 165 | 127 | 51  | 78  | 131 | M8  | 70  | 19 | 8 | 22 | 16 | 22 | F07         | 17        |
| 80   | 282 | 155 | 210 | 168 | 76  | 119 | 188 | M10 | 102 | 22 | 8 | 28 | 21 | 28 | F10         | 35        |
| 100  | 305 | 174 | 254 | 200 | 102 | 144 | 222 | M12 | 125 | 22 | 8 | 41 | 28 | 32 | F12         | 62        |

### DIMENSIONS

**8" (DN 200) Series 9150 ASME Class 150 and  
6" & 8" (DN 150 & 200) Series 9300 ASME Class 300 (Non-Trunnion)**



| Valve Size<br>inches | Series 9150 ASME Class 150 Approximate Dimensions - inches |      |       |       |      |      |       |     |      |   |      |      |      |      |      | Weight<br>lb |
|----------------------|--|------|-------|-------|------|------|-------|-----|------|---|------|------|------|------|------|--------------|
|                      | A  | B    | C     | D     | E    | F    | H     | L   | N    | P | R    | S    | T    | U    | V    |              |
| 8                    | 18.00  | 8.97 | 13.50 | 11.75 | 8.00 | 9.74 | 14.91 | M16 | 0.88 | 8 | 2.11 | 1.38 | 1.12 | 8.00 | 3.25 | 430          |

| Valve Size<br>DN | Series 9150 ASME Class 150 Approximate Dimensions - mm |     |     |     |     |     |     |     |    |   |    |    |    |     |    | Weight<br>kg |
|------------------|--|-----|-----|-----|-----|-----|-----|-----|----|---|----|----|----|-----|----|--------------|
|                  | A  | B   | C   | D   | E   | F   | H   | L   | N  | P | R  | S  | T  | U   | V  |              |
| 200              | 457  | 228 | 343 | 298 | 203 | 247 | 379 | M16 | 22 | 8 | 54 | 35 | 28 | 203 | 83 | 195          |

| Valve Size<br>inches | Series 9300 ASME Class 300 Approximate Dimensions - inches |       |       |       |      |      |       |     |      |    |      |      |      |      |      | Weight<br>lb |
|----------------------|--|-------|-------|-------|------|------|-------|-----|------|----|------|------|------|------|------|--------------|
|                      | A  | B     | C     | D     | E    | F    | H     | L   | N    | P  | R    | S    | T    | U    | V    |              |
| 6                    | 15.88  | 8.84  | 12.50 | 10.63 | 6.00 | 7.74 | 12.52 | M16 | 0.88 | 12 | 1.86 | 1.21 | 1.44 | 8.00 | 3.25 | 311          |
| 8                    | 19.75  | 11.47 | 15.00 | 13.00 | 8.00 | 9.74 | 14.91 | M16 | 1.00 | 12 | 2.11 | 1.38 | 1.62 | 8.00 | 3.25 | 556          |

| Valve Size<br>DN | Series 9300 ASME Class 300 Approximate Dimensions - mm |     |     |     |     |     |     |     |    |    |    |    |    |     |    | Weight<br>kg |
|------------------|--|-----|-----|-----|-----|-----|-----|-----|----|----|----|----|----|-----|----|--------------|
|                  | A  | B   | C   | D   | E   | F   | H   | L   | N  | P  | R  | S  | T  | U   | V  |              |
| 150              | 403  | 224 | 318 | 270 | 152 | 196 | 318 | M16 | 22 | 12 | 47 | 31 | 37 | 203 | 83 | 141          |
| 200              | 502  | 291 | 381 | 330 | 203 | 247 | 379 | M16 | 25 | 12 | 54 | 35 | 41 | 203 | 83 | 252          |

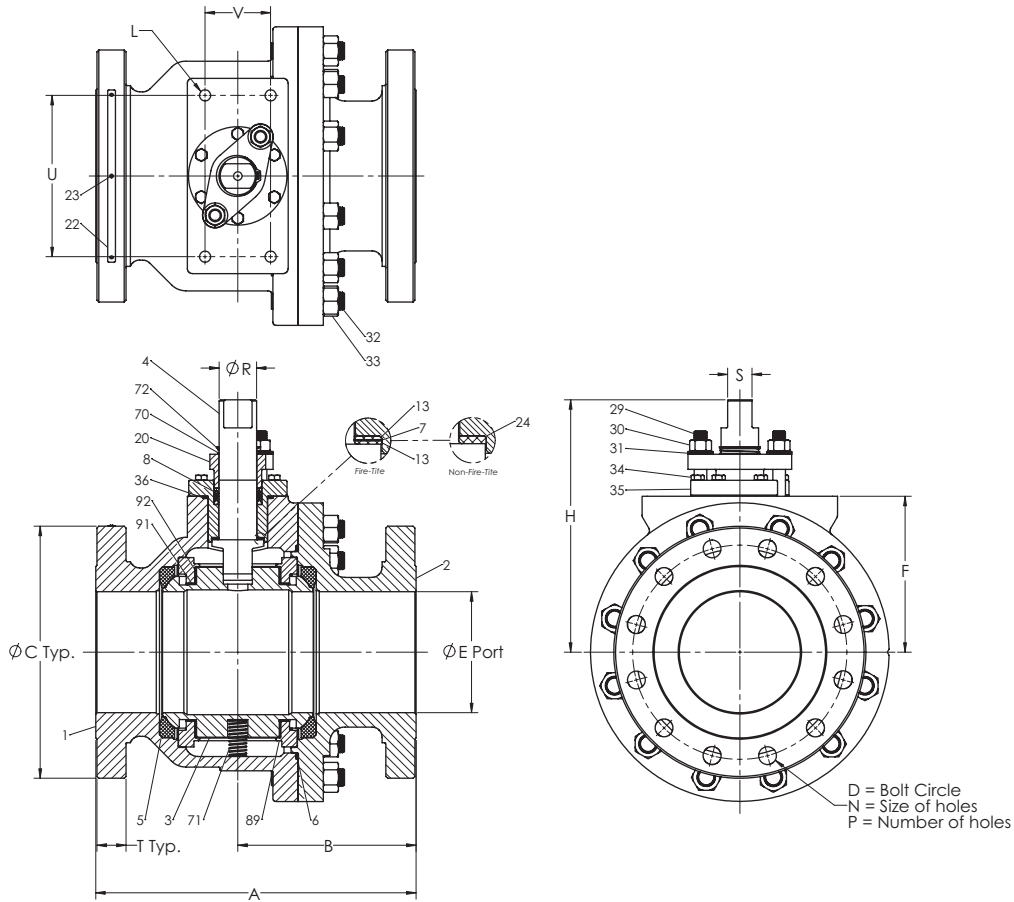


| BILLS OF MATERIALS AND PARTS LIST   |                         |   |   |                                |                                   |
|---|-------------------------|---|---|--------------------------------|-----------------------------------|
| Fire-Tite 2" - 8" (DN50 & DN200) Full Port Series Non-Trunnion 9150 & 9300 Valves |                         |   |   |                                |                                   |
| Part No.  | Part Name               | Body Material   |   |                                |                                   |
|   |                         | Carbon Steel (22)   | 316 Stainless Steel (36)                | Alloy 20 (35)                  | Monel (71)                        |
| 1   | Body                    | Carbon Steel ASTM A216 Type WCB   | 316 Stainless Steel ASTM A351 Type CF8M | Alloy 20 ASTM A351 Type CN7M   | Monel ASTM A494 M35-1             |
| 2   | Body Cap                | Carbon Steel ASTM A216 Type WCB   | 316 Stainless Steel ASTM A351 Type CF8M | Alloy 20 ASTM A351 Type CN7M   | Monel ASTM A494 M35-1             |
| 3   | Ball                    | 316 Stainless Steel, Monel, Hastelloy C   |   | Alloy 20                       | Monel, Hastelloy C as specified   |
| 4   | Stem                    | 316 Stainless Steel, K-Monel, Hastelloy C   |   | Alloy 20                       | K-Monel, Hastelloy C as specified |
| 5   | Seat                    | PTFE, Xtreme, PFA   |   |                                |                                   |
| 6   | Body Seal               | Spiral Wound Graphite/316 Stainless Steel   |   | Spiral Wound Graphite/Alloy 20 | Spiral Wound Graphite/Monel       |
| 7   | Secondary Stem Seal     | Graphite  |   |                                |                                   |
| 8   | Stem Seal               | PTFE (w/ PTFE seats), TFM (w/ Xtreme & PFA seats)                                     |   |                                |                                   |
| 13  | Thrust Bearing          | PTFE, Filled PTFE   |   |                                |                                   |
| 20  | Compression Plate       | 316 Stainless Steel   |   |                                | Monel                             |
| 22  | Identification Tag      | Stainless Steel   |   |                                |                                   |
| 23  | Pop Rivet               | Stainless Steel   |   |                                |                                   |
| 29  | Bonnet Stud             | ASTM A193 GR. <u>B8</u> , <u>B8C</u> , <u>B8T</u> or <u>B8M</u> , K-Monel             |   |                                |                                   |
| 30  | Bonnet Stud Nut         | ASTM A194 GR. <u>8B</u> , <u>8CB</u> , <u>8MB</u> , <u>8TB</u> , <u>8FB</u> , K-Monel |   |                                |                                   |
| 31  | Disc Springs            | Inconel   |   |                                |                                   |
| 32  | Body Stud               | ASTM A193 GR. <u>B8</u> , <u>B8C</u> , <u>B8T</u> or <u>B8M</u> , K-Monel             |   |                                |                                   |
| 33  | Body Stud Nut           | ASTM A194 GR. <u>8B</u> , <u>8CB</u> , <u>8MB</u> , <u>8TB</u> , <u>8FB</u> , K-Monel |   |                                |                                   |
| 70  | Top Grounding Spring    | Stainless Steel   |   |                                |                                   |
| 71  | Bottom Grounding Spring | Inconel®  |   |                                |                                   |
| 72  | Retaining Ring          | Stainless Steel   |   |                                |                                   |

| BILLS OF MATERIALS AND PARTS LIST   |                         |   |   |                              |                                   |
|---|-------------------------|---|---|------------------------------|-----------------------------------|
| Non Fire-Tite 2" - 8" (DN50 & DN200) Full Port Series Non-Trunnion 9150 & 9300 Valves |                         |   |   |                              |                                   |
| Part No.  | Part Name               | Body Material   |   |                              |                                   |
|   |                         | Carbon Steel (22)   | 316 Stainless Steel (36)                | Alloy 20 (35)                | Monel (71)                        |
| 1   | Body                    | Carbon Steel ASTM A216 Type WCB   | 316 Stainless Steel ASTM A351 Type CF8M | Alloy 20 ASTM A351 Type CN7M | Monel ASTM A494 M35-1             |
| 2   | Body Cap                | Carbon Steel ASTM A216 Type WCB   | 316 Stainless Steel ASTM A351 Type CF8M | Alloy 20 ASTM A351 Type CN7M | Monel ASTM A494 M35-1             |
| 3   | Ball                    | 316 Stainless Steel, Monel, Hastelloy C   |   | Alloy 20                     | Monel, Hastelloy C as specified   |
| 4   | Stem                    | 316 Stainless Steel, K-Monel, Hastelloy C   |   | Alloy 20                     | K-Monel, Hastelloy C as specified |
| 5   | Seat                    | PTFE, Xtreme, PFA   |   |                              |                                   |
| 6   | Body Seal               | Spiral Wound PTFE/316 Stainless Steel   |   | Spiral Wound PTFE/Alloy 20   | Spiral Wound PTFE/Monel           |
| 8   | Stem Seal               | PTFE (w/ PTFE seats), TFM (w/ Xtreme & PFA seats)                                     |   |                              |                                   |
| 13  | Thrust Bearing          | PTFE, Filled PTFE   |   |                              |                                   |
| 20  | Compression Plate       | 316 Stainless Steel   |   |                              | Monel                             |
| 22  | Identification Tag      | Stainless Steel   |   |                              |                                   |
| 23  | Pop Rivet               | Stainless Steel   |   |                              |                                   |
| 29  | Bonnet Stud             | ASTM A193 GR. <u>B8</u> , <u>B8C</u> , <u>B8T</u> or <u>B8M</u> , K-Monel             |   |                              |                                   |
| 30  | Bonnet Stud Nut         | ASTM A194 GR. <u>8B</u> , <u>8CB</u> , <u>8MB</u> , <u>8TB</u> , <u>8FB</u> , K-Monel |   |                              |                                   |
| 31  | Disc Springs            | Inconel   |   |                              |                                   |
| 32  | Body Stud               | ASTM A193 GR. <u>B8</u> , <u>B8C</u> , <u>B8T</u> or <u>B8M</u> , K-Monel             |   |                              |                                   |
| 33  | Body Stud Nut           | ASTM A194 GR. <u>8B</u> , <u>8CB</u> , <u>8MB</u> , <u>8TB</u> , <u>8FB</u> , K-Monel |   |                              |                                   |
| 70  | Top Grounding Spring    | Stainless Steel   |   |                              |                                   |
| 71  | Bottom Grounding Spring | Inconel®  |   |                              |                                   |
| 72  | Retaining Ring          | Stainless Steel   |   |                              |                                   |

### DIMENSIONS

#### 8" - 12" (DN 200 - 300) Series 9150 ASME Class 150 and 6" - 12" (DN 150 - 300) Series 9300 ASME Class 300 (Trunnion)



| Valve Size<br>inches | Series 9150 ASME Class 150 Approximate Dimensions - inches |       |       |       |       |       |       |     |      |    |      |      |      |       |      | Weight<br>lb |
|----------------------|--|-------|-------|-------|-------|-------|-------|-----|------|----|------|------|------|-------|------|--------------|
|                      | A  | B     | C     | D     | E     | F     | H     | L   | N    | P  | R    | S    | T    | U     | V    |              |
| 8                    | 18.00  | 8.97  | 13.50 | 11.75 | 8.00  | 9.74  | 14.91 | M16 | 0.88 | 8  | 2.11 | 1.38 | 1.12 | 8.00  | 3.25 | 406          |
| 10                   | 21.00  | 10.88 | 16.00 | 14.25 | 10.00 | 11.58 | 18.26 | M20 | 1.00 | 12 | 2.36 | 1.61 | 1.18 | 10.00 | 3.25 | 680          |
| 12                   | 24.00  | 11.96 | 19.00 | 17.00 | 12.00 | 13.00 | 19.36 | M20 | 1.00 | 12 | 2.74 | 1.79 | 1.25 | 10.00 | 3.25 | 837          |

| Valve Size<br>DN | Series 9150 ASME Class 150 Approximate Dimensions - mm |     |     |     |     |     |     |     |    |    |    |    |    |     |    | Weight<br>kg |
|------------------|--|-----|-----|-----|-----|-----|-----|-----|----|----|----|----|----|-----|----|--------------|
|                  | A  | B   | C   | D   | E   | F   | H   | L   | N  | P  | R  | S  | T  | U   | V  |              |
| 200              | 457  | 228 | 343 | 298 | 203 | 247 | 379 | M16 | 22 | 8  | 54 | 35 | 28 | 203 | 83 | 184          |
| 250              | 533  | 276 | 406 | 362 | 254 | 294 | 464 | M20 | 25 | 12 | 60 | 41 | 30 | 254 | 83 | 309          |
| 300              | 610  | 304 | 483 | 432 | 305 | 330 | 492 | M20 | 25 | 12 | 69 | 45 | 32 | 254 | 83 | 379          |

| Valve Size<br>inches | Series 9300 ASME Class 300 Approximate Dimensions - inches |       |       |       |       |       |       |     |      |    |      |      |      |       |      | Weight<br>lb |
|----------------------|--|-------|-------|-------|-------|-------|-------|-----|------|----|------|------|------|-------|------|--------------|
|                      | A  | B     | C     | D     | E     | F     | H     | L   | N    | P  | R    | S    | T    | U     | V    |              |
| 6                    | 15.88  | 8.84  | 12.50 | 10.63 | 6.00  | 7.74  | 12.52 | M16 | 0.88 | 12 | 1.86 | 1.21 | 1.44 | 8.00  | 3.25 | 298          |
| 8                    | 19.75  | 11.47 | 15.00 | 13.00 | 8.00  | 9.74  | 14.91 | M16 | 1.00 | 12 | 2.11 | 1.38 | 1.62 | 8.00  | 3.25 | 532          |
| 10                   | 22.38  | 12.19 | 17.50 | 15.25 | 10.00 | 11.58 | 18.26 | M20 | 1.13 | 16 | 2.36 | 1.61 | 1.87 | 10.00 | 3.25 | 906          |
| 12                   | 25.50  | 14.02 | 20.50 | 17.75 | 12.00 | 13.00 | 19.36 | M20 | 1.25 | 16 | 2.74 | 1.79 | 2.00 | 10.00 | 3.25 | 1342         |

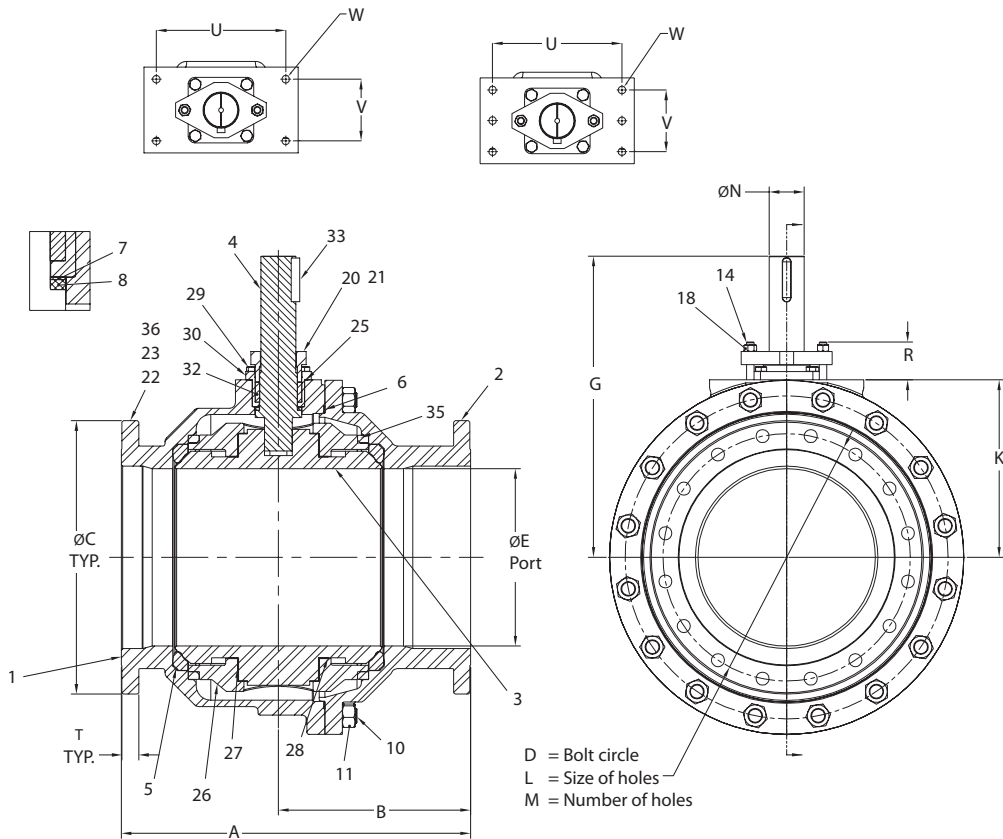
| Valve Size<br>DN | Series 9300 ASME Class 300 Approximate Dimensions - mm |     |     |     |     |     |     |     |    |    |    |    |    |     |    | Weight<br>kg |
|------------------|--|-----|-----|-----|-----|-----|-----|-----|----|----|----|----|----|-----|----|--------------|
|                  | A  | B   | C   | D   | E   | F   | H   | L   | N  | P  | R  | S  | T  | U   | V  |              |
| 150              | 403  | 224 | 318 | 270 | 152 | 196 | 318 | M16 | 22 | 12 | 47 | 31 | 37 | 203 | 83 | 135          |
| 200              | 502  | 291 | 381 | 330 | 203 | 247 | 379 | M16 | 25 | 12 | 54 | 35 | 41 | 203 | 83 | 242          |
| 250              | 568  | 310 | 445 | 387 | 254 | 294 | 464 | M20 | 29 | 16 | 60 | 41 | 47 | 254 | 83 | 411          |
| 300              | 648  | 356 | 521 | 451 | 305 | 330 | 492 | M20 | 32 | 16 | 69 | 45 | 51 | 254 | 83 | 609          |

| BILLS OF MATERIALS AND PARTS LIST  |                         |   |  |                                    |                                      |
|--|-------------------------|---|--|------------------------------------|--------------------------------------|
| Fire-Tite 6" – 12" (DN150 – DN300) Full Port Trunnion Series 9300 and 8" – 12" (DN200 – DN300) Full Port Trunnion Series 9150 Valves |                         |   |  |                                    |                                      |
| Part No.   | Part Name               | Body Material   |  |                                    |                                      |
|  |                         | Carbon Steel (22)   | 316 Stainless Steel (36)                   | Alloy 20 (35)                      | Monel (71)                           |
| 1  | Body                    | Carbon Steel<br>ASTM A216 Type WCB  | 316 Stainless Steel<br>ASTM A351 Type CF8M | Alloy 20<br>ASTM A351 Type CN7M    | Monel ASTM A494 M35-1                |
| 2  | Body Cap                | Carbon Steel ASTM A216<br>Type WCB  | 316 Stainless Steel ASTM<br>A351 Type CF8M | Alloy 20 ASTM A351 Type<br>CN7M    | Monel ASTM A494 M35-1                |
| 3  | Ball                    | 316 Stainless Steel, Monel, Hastelloy C   |  | Alloy 20                           | Monel, Hastelloy C as<br>specified   |
| 4  | Stem                    | 316 Stainless Steel, K-Monel, Hastelloy C   |  | Alloy 20                           | K-Monel, Hastelloy C as<br>specified |
| 5  | Seat                    | PTFE, Xtreme, PFA   |  |                                    |                                      |
| 6  | Body Seal               | Spiral Wound Graphite/316 Stainless Steel   |  | Spiral Wound Graphite/<br>Alloy 20 | Spiral Wound Graphite/<br>Monel      |
| 7  | Secondary Stem Seal     | Graphite  |  |                                    |                                      |
| 8  | Stem Seal               | PTFE (w/ PTFE seats), TFM (w/ Xtreme & PFA seats)                                     |  |                                    |                                      |
| 13   | Thrust Bearing          | PTFE, Filled PTFE   |  |                                    |                                      |
| 20   | Compression Plate       | 316 Stainless Steel   |  |                                    | Monel                                |
| 22   | Identification Tag      | Stainless Steel   |  |                                    |                                      |
| 23   | Pop Rivet               | Stainless Steel   |  |                                    |                                      |
| 29   | Bonnet Stud             | ASTM A193 GR. <u>B8</u> , <u>B8C</u> , <u>B8T</u> or <u>B8M</u> , K-Monel             |  |                                    |                                      |
| 30   | Bonnet Stud Nut         | ASTM A194 GR. <u>8B</u> , <u>8CB</u> , <u>8MB</u> , <u>8TB</u> , <u>8FB</u> , K-Monel |  |                                    |                                      |
| 31   | Disc Springs            | Inconel   |  |                                    |                                      |
| 32   | Body Stud               | ASTM A193 GR. <u>B8</u> , <u>B8C</u> , <u>B8T</u> or <u>B8M</u> , K-Monel             |  |                                    |                                      |
| 33   | Body Stud Nut           | ASTM A194 GR. <u>8B</u> , <u>8CB</u> , <u>8MB</u> , <u>8TB</u> , <u>8FB</u> , K-Monel |  |                                    |                                      |
| 34   | Stem Retainer Bolts     | ASTM A194 GR. <u>8B</u> , <u>8CB</u> , <u>8MB</u> , <u>8TB</u> , <u>8FB</u> , K-Monel |  |                                    |                                      |
| 35   | Stem Retainer           | Carbon Steel<br>ASTM A216 Type WCB  | 316 Stainless Steel<br>ASTM A351 Type CF8M | Alloy 20<br>ASTM A351 Type CN7M    | Monel ASTM A494 M35-1                |
| 36   | Stem Retainer Seal      | Spiral Wound Graphite/316 Stainless Steel   |  | Spiral Wound Graphite/<br>Alloy 20 | Spiral Wound Graphite/<br>Monel      |
| 70   | Top Grounding Spring    | Stainless Steel   |  |                                    |                                      |
| 71   | Bottom Grounding Spring | Inconel®  |  |                                    |                                      |
| 72   | Retaining Ring          | Stainless Steel   |  |                                    |                                      |
| 89   | Trunnion Plate          | 316 Stainless Steel<br>ASTM A351 Type CF8M  | Alloy 20 ASTM A351 Type CN7M               | Monel ASTM A494 M35-1              |                                      |
| 91   | Bearing Spacer          | Filled PTFE   |  |                                    |                                      |
| 92   | Trunnion Bearing        | Filled PTFE/316 Stainless Steel   | Filled PTFE/Alloy 20                       | Filled PTFE/Monel                  |                                      |

| BILLS OF MATERIALS AND PARTS LIST  |                         |   |  |                                    |                                   |
|--|-------------------------|---|--|------------------------------------|-----------------------------------|
| Fire-Tite 6" – 12" (DN150 – DN300) Full Port Trunnion Series 9300 and 8" – 12" (DN200 – DN300) Full Port Trunnion Series 9150 Valves |                         |   |  |                                    |                                   |
| Part No.   | Part Name               | Body Material   |  |                                    |                                   |
|  |                         | Carbon Steel (22)   | 316 Stainless Steel (36)                   | Alloy 20 (35)                      | Monel (71)                        |
| 1  | Body                    | Carbon Steel<br>ASTM A216 Type WCB                        | 316 Stainless Steel<br>ASTM A351 Type CF8M | Alloy 20<br>ASTM A351 Type CN7M    | Monel ASTM A494 M35-1             |
| 2  | Body Cap                | Carbon Steel<br>ASTM A216 Type WCB                        | 316 Stainless Steel<br>ASTM A351 Type CF8M | Alloy 20<br>ASTM A351 Type CN7M    | Monel ASTM A494 M35-1             |
| 3  | Ball                    | 316 Stainless Steel, Monel, Hastelloy C                   |  | Alloy 20                           | Monel, Hastelloy C as specified   |
| 4  | Stem                    | 316 Stainless Steel, K-Monel, Hastelloy C                 |  | Alloy 20                           | K-Monel, Hastelloy C as specified |
| 5  | Seat                    | PTFE, Xtreme, PFA   |  |                                    |                                   |
| 6  | Body Seal               | Spiral Wound PTFE/316 Stainless Steel                     |  | Spiral Wound PTFE/Alloy 20         | Spiral Wound PTFE/Monel           |
| 8  | Stem Seal               | PTFE (w/ PTFE seats), TFM (w/ Xtreme & PFA seats)         |  |                                    |                                   |
| 13   | Thrust Bearing          | PTFE, Filled PTFE   |  |                                    |                                   |
| 20   | Compression Plate       | 316 Stainless Steel                                       |  |                                    | Monel                             |
| 22   | Identification Tag      | Stainless Steel   |  |                                    |                                   |
| 23   | Pop Rivet               | Stainless Steel   |  |                                    |                                   |
| 29   | Bonnet Stud             | ASTM A193 GR. <u>B8, B8C, B8T</u> or <u>B8M</u> , K-Monel |  |                                    |                                   |
| 30   | Bonnet Stud Nut         | ASTM A194 GR. <u>8B, 8CB, 8MB, 8TB, 8FB</u> , K-Monel     |  |                                    |                                   |
| 31   | Disc Springs            | Inconel   |  |                                    |                                   |
| 32   | Body Stud               | ASTM A193 GR. <u>B8, B8C, B8T</u> or <u>B8M</u> , K-Monel |  |                                    |                                   |
| 33   | Body Stud Nut           | ASTM A194 GR. <u>8B, 8CB, 8MB, 8TB, 8FB</u> , K-Monel     |  |                                    |                                   |
| 34   | Stem Retainer Bolts     | ASTM A194 GR. <u>8B, 8CB, 8MB, 8TB, 8FB</u> , K-Monel     |  |                                    |                                   |
| 35   | Stem Retainer           | Carbon Steel<br>ASTM A216 Type WCB                        | 316 Stainless Steel<br>ASTM A351 Type CF8M | Alloy 20<br>ASTM A351 Type CN7M    | Monel ASTM A494 M35-1             |
| 36   | Stem Retainer Seal      | Spiral Wound Graphite/316 Stainless Steel                 |  | Spiral Wound Graphite/<br>Alloy 20 | Spiral Wound Graphite/<br>Monel   |
| 70   | Top Grounding Spring    | Stainless Steel   |  |                                    |                                   |
| 71   | Bottom Grounding Spring | Inconel®  |  |                                    |                                   |
| 72   | Retaining Ring          | Stainless Steel   |  |                                    |                                   |
| 89   | Trunnion Plate          | 316 Stainless Steel ASTM<br>A351 Type CF8M                | Alloy 20 ASTM A351 Type CN7M               |                                    | Monel ASTM A494 M35-1             |
| 91   | Bearing Spacer          | Filled PTFE   |  |                                    |                                   |
| 92   | Trunnion Bearing        | Filled PTFE/316 Stainless<br>Steel                        | Filled PTFE/Alloy 20                       |                                    | Filled PTFE/Monel                 |

**DIMENSIONS**

**14" – 24" (DN350 – 600) Series 9150 ASME Class 150 and Series 9300 ASME Class 300 (Trunnion)**



| Valve Size<br>inches | Series 9150 ASME Class 150 Approximate Dimensions – inches |       |       |       |       |       |       |      |    |      |      |      |       |      | Weight<br>lb |                |
|----------------------|--|-------|-------|-------|-------|-------|-------|------|----|------|------|------|-------|------|--------------|----------------|
|                      | A  | B     | C     | D     | E     | G     | K     | L    | M  | N    | R    | T    | U     | V    |              | W              |
| 14                   | 27.00  | 14.25 | 21.00 | 18.75 | 13.25 | 24.21 | 13.88 | 1.13 | 12 | 3.00 | 3.25 | 1.31 | 11.13 | 5.30 | 3/4-10       | 1470           |
| 16                   | 30.00  | 16.50 | 23.50 | 21.25 | 15.25 | 25.88 | 15.25 | 1.13 | 16 | 3.00 | 3.25 | 1.38 | 11.13 | 5.30 | 3/4-10       | 1900           |
| 18                   | 34.00  | 18.00 | 25.00 | 22.75 | 17.25 | 26.82 | 17.38 | 1.25 | 16 | 3.50 | 4.00 | 1.5  | 13.00 | 7.00 | 3/4-10       | 2800           |
| 20                   | 36.00  | 19.38 | 27.50 | 25.00 | 19.25 | 29.13 | 18.25 | 1.25 | 20 | 3.50 | 4.00 | 1.62 | 15.00 | 7.00 | 3/4-10       | 3500           |
| 24                   | 42.00  | 21.06 | 32.00 | 29.50 | 23.25 | 31    | 20.00 | 1.38 | 20 | 3.75 | 4.00 | 1.81 | 15.00 | 7.00 | 7/8-9        | on application |

| Valve Size<br>DN | Series 9150 ASME Class 150 Approximate Dimensions – mm |     |     |     |     |     |     |    |    |    |     |    |     |     | Weight<br>kg |                |
|------------------|--|-----|-----|-----|-----|-----|-----|----|----|----|-----|----|-----|-----|--------------|----------------|
|                  | A  | B   | C   | D   | E   | G   | K   | L  | M  | N  | R   | T  | U   | V   |              | W*             |
| 350              | 686  | 362 | 533 | 476 | 337 | 615 | 353 | 29 | 12 | 76 | 83  | 33 | 254 | 83  | 3/4-10       | 667            |
| 400              | 762  | 419 | 597 | 540 | 387 | 657 | 387 | 29 | 16 | 76 | 83  | 35 | 283 | 135 | 3/4-10       | 862            |
| 450              | 864  | 457 | 635 | 578 | 438 | 681 | 441 | 32 | 16 | 89 | 102 | 38 | 330 | 178 | 3/4-10       | 1270           |
| 500              | 914  | 492 | 699 | 635 | 489 | 740 | 464 | 32 | 20 | 89 | 102 | 41 | 330 | 178 | 3/4-10       | 1588           |
| 600              | 1067   | 535 | 813 | 749 | 590 | 787 | 508 | 35 | 20 | 95 | 102 | 46 | 381 | 178 | 7/8-9        | on application |

| Valve Size<br>inches | Series 9300 ASME Class 300 Approximate Dimensions – inches |       |       |       |       |       |       |      |    |      |      |      |       |   | Weight<br>lb   |                |
|----------------------|--|-------|-------|-------|-------|-------|-------|------|----|------|------|------|-------|---|----------------|----------------|
|                      | A  | B     | C     | D     | E     | G     | K     | L    | M  | N    | R    | T    | U     | V |                | W              |
| 14                   | 30.00  | 17.25 | 23.00 | 20.25 | 13.25 | 24.94 | 14.00 | 1.25 | 20 | 3.50 | 4.00 | 2.06 | 13.00 | 7 | 3/4-10         | 2000           |
| 16                   | 33.00  | 17.63 | 25.50 | 22.50 | 15.25 | 26.12 | 15.19 | 1.38 | 20 | 3.50 | 4.00 | 2.19 | 13.00 | 7 | 3/4-10         | 2480           |
| 18                   | 36.00  | 19.28 | 28.00 | 24.00 | 17.25 | 28.78 | 15.13 | 1.38 | 24 | 3.50 | 4.50 | 2.31 | 15.00 | 7 | 7/8-9          | 3400           |
| 20                   | Contact Factory  |       |       |       |       |       |       |      |    |      |      |      |       |   | on application |                |
| 24                   | 45.00  | 22.50 | 36.00 | 32.00 | 23.25 | 32    | 21.06 | 1.63 | 24 | 3.75 | 4.63 | 2.69 | 15.00 | 7 | 7/8-9          | on application |

| Valve Size<br>DN | Series 9300 ASME Class 300 Approximate Dimensions – mm |     |     |     |     |     |     |    |    |    |     |    |     |     | Weight<br>kg   |                |
|------------------|--|-----|-----|-----|-----|-----|-----|----|----|----|-----|----|-----|-----|----------------|----------------|
|                  | A  | B   | C   | D   | E   | G   | K   | L  | M  | N  | R   | T  | U   | V   |                | W*             |
| 350              | 762  | 438 | 584 | 514 | 336 | 633 | 356 | 32 | 20 | 89 | 102 | 52 | 330 | 178 | 3/4-10         | 907            |
| 400              | 838  | 448 | 648 | 572 | 387 | 663 | 386 | 35 | 20 | 89 | 102 | 56 | 330 | 178 | 3/4-10         | 1125           |
| 450              | 914  | 490 | 711 | 610 | 438 | 731 | 384 | 35 | 24 | 89 | 114 | 59 | 381 | 178 | 7/8-9          | 1542           |
| 500              | Contact Factory  |     |     |     |     |     |     |    |    |    |     |    |     |     | on application |                |
| 600              | 1143   | 572 | 914 | 813 | 590 | 813 | 535 | 41 | 24 | 95 | 118 | 68 | 381 | 178 | 7/8-9          | on application |

\* Screw-thread dimensions are in inches

| BILLS OF MATERIALS AND PARTS LIST   |                                |  |   |
|---|--------------------------------|--|---|
| 14" – 24" (DN 350 – 600) Series 9150, 14" – 24" (DN 350 – 600) Series 9300 Full-Bore Valves |                                |  |   |
| Part No.  | Part Name                      | Body Material  |   |
|   |                                | Carbon Steel (22) All Series   | 316 Stainless Steel (36)                |
| 1   | Body                           | Carbon steel ASTM A216 Type WCB  | 316 stainless steel ASTM A351 Type CF8M |
| 2   | Body Cap                       | Carbon steel ASTM A216 Type WCB  | 316 stainless steel ASTM A351 Type CF8M |
| 3   | Ball                           | Alloy 20, 316 Stainless steel, Monel <sup>1</sup> , Hastelloy C <sup>1</sup> - as specified  |   |
| 4   | Stem                           | Alloy 20, 316 Stainless steel, K-Monel <sup>1</sup> , Hastelloy C <sup>1</sup> -as specified |   |
| 5   | Seat                           | PTFE or filled PTFE  |   |
| 6   | Body Seal <sup>1</sup>         | Spiral wound PTFE/316 Stainless steel <sup>1</sup>   |   |
| 7   | Secondary Stem Seal            | Graphite   |   |
| 8   | Stem Bearing                   | Filled PTFE  |   |
| 10  | Body Stud                      | ASTM A193 Gr. B7; Gr. B7M; or Gr. <u>B8, B8C, B8T</u> or <u>B8M</u>                          |   |
| 11  | Nut                            | ASTM A194 Gr. 2H; Gr. 2HM; or Gr. <u>8B, 8CB, 8MB, 8TB</u> , or <u>8FB</u>                   |   |
| 14  | Hex Head Cap Screw             | ASTM A193 Gr. B7; Gr. B7M; or Gr. <u>B8, B8C, B8T</u> or <u>B8M</u>                          |   |
| 18  | Nut                            | ASTM A194 Gr. 2H; Gr. 2HM; or Gr. <u>8B, 8CB, 8MB, 8TB</u> , or <u>8FB</u>                   |   |
| 20  | Compression Plate <sup>1</sup> | Carbon steel   | Stainless steel                         |
| 21  | Compression Ring               | Stainless steel  |   |
| 22  | Identification Tag             | Stainless steel  |   |
| 23  | Drive Screw                    | Stainless steel  |   |
| 25  | Stem Retainer Seal             | Graphite   |   |
| 26  | Trunnion Plate                 | Carbon steel Type WCB  | 316 Stainless steel Type CF8M           |
| 27  | Trunnion Bearing               | 316 Stainless steel backed glass-filled PTFE   |   |
| 28  | Bearing Spacer                 | Filled PTFE  |   |
| 29  | Hex.Hd. Cap Screw              | ASTM A193 Gr. B7; Gr. B7M  |   |
| 30  | Stem Retainer                  | Carbon steel Type WCB  | 316 Stainless steel Type CF8M           |
| 32  | Upper Stem Seal                | PTFE   |   |
| 33  | Key                            | Carbon steel   |   |
| 35  | Trunnion Ring <sup>2</sup>     | Carbon steel   | Stainless steel                         |
| 36  | Tag: Trunnion Ball             | Stainless steel  |   |

**Note 1:** Compression plate, body seal, and gland follower are Monel for valves with Monel or Hastelloy C trim.

**Note 2:** Not used in 14" & 16" (DN 350 & 400) Series 9300 valves.

### STANDARD VALVE TORQUE DATA

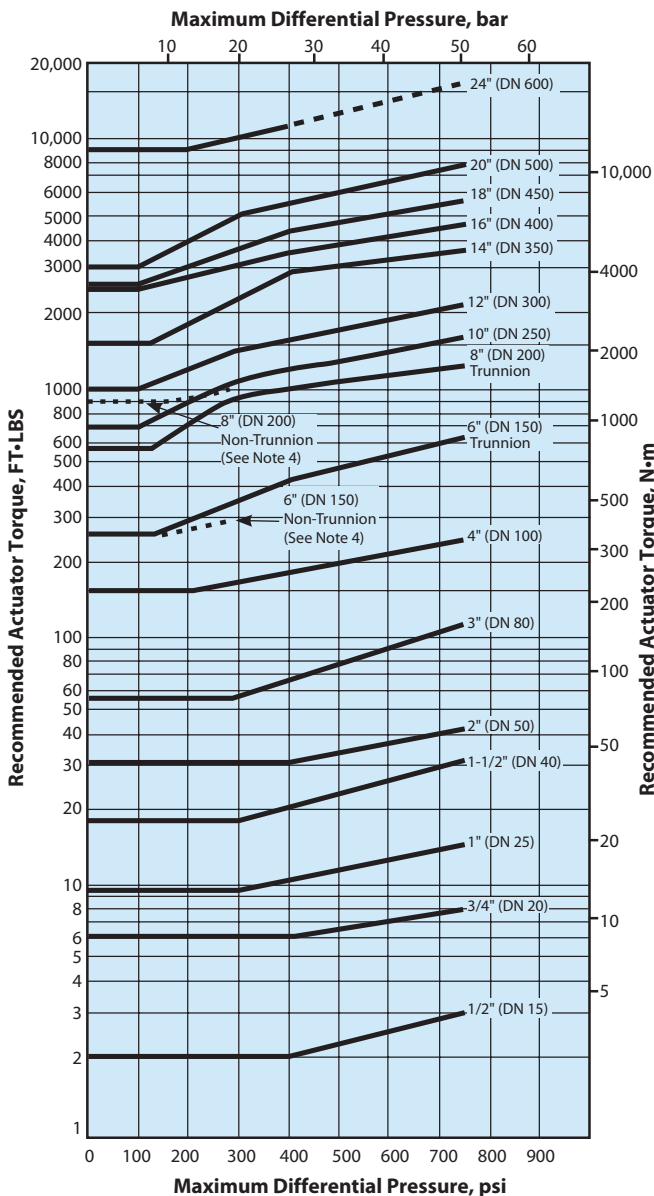
Use these torque charts as a guide for actuator selection. Additional requirements may be imposed by media characteristics, trim, and frequency of valve operation. For clean lubricating fluid service, required torque for PTFE (T), Xtreme (X) and filled PTFE (M) seated valves only may be reduced 20% when the valve is equipped with corrosion resistant trim. For difficult services such as slurries and semi-solids, and for oxygen, increase values by 50%. If in doubt, err on the side of safety by using a larger actuator than would normally be selected.

Torque output values and actuator selection tables for the different types of Jamesbury actuators are contained in the bulletins listed below.

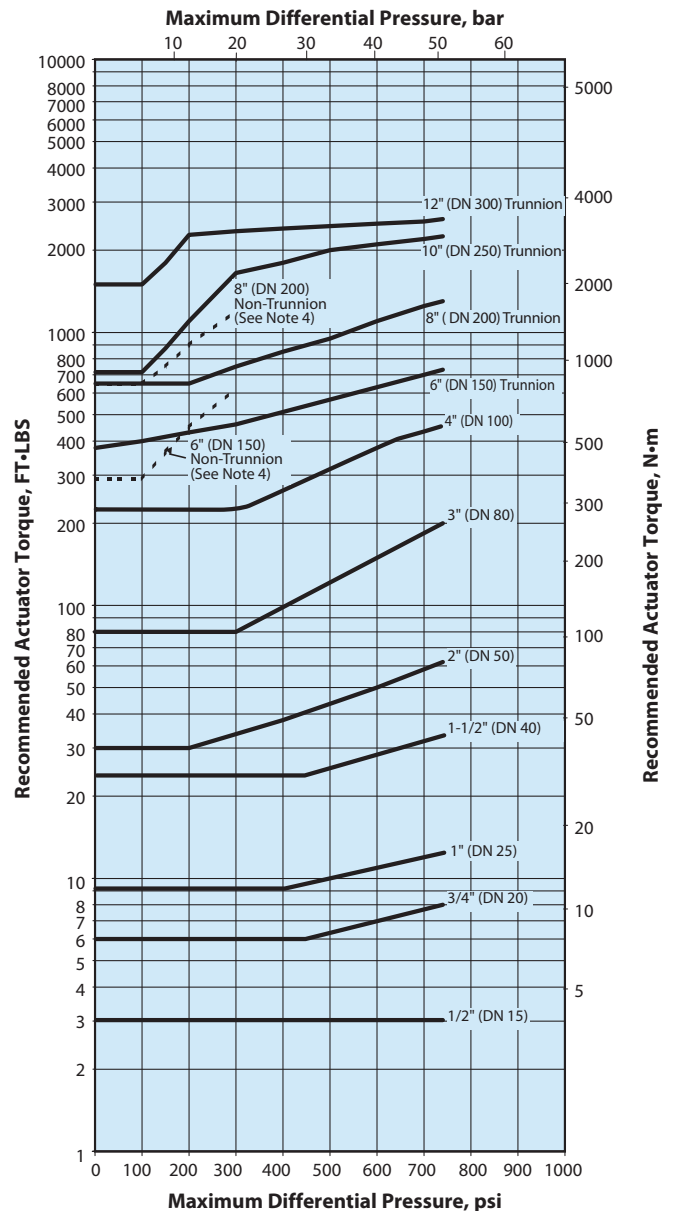
|   |                 |
|---|-----------------|
| Manual Gear Actuators                           | A100-1          |
| B-Series Piston Actuators                       | 6 B 20          |
| Quadra-Powr X Spring Diaphragm Rotary Actuators | A110-4          |
| Valv-Powr Series VPVL                           | A111-5          |
| V-Series Electric Actuators                     | V200-1          |
| ADC Electric Actuators                          | V201-1          |
| LC Series' Electric Actuators                   | V202-1 & V203-1 |
| ESR-Series Electric Actuators                   | V204-1          |
| Q6-Series Electric Actuators                    | V205-1          |
| QX-Series Electric Actuators                    | V207-1          |

### ASME Class 150 and 300 Standard Valve Torque Data

#### PTFE (T) Seated Valves



#### Xtreme (X) and TFM (Z) Seated Valves 1/2" - 12" (DN 15 - 300)

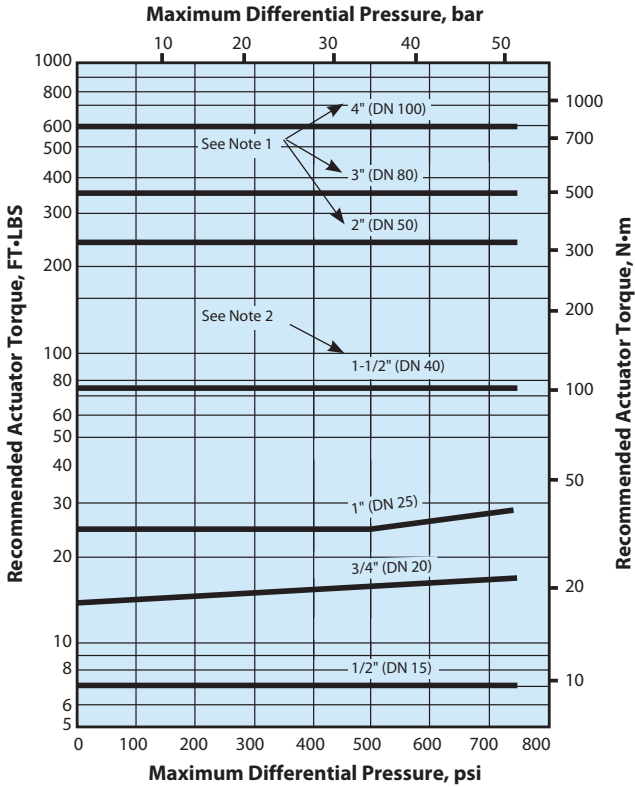


**Note:** See notes on page 16.

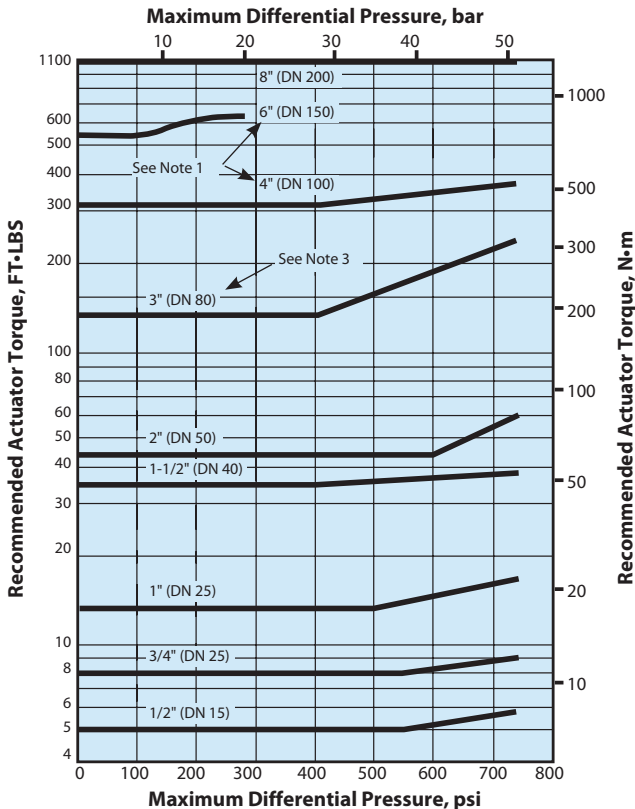
## STANDARD VALVE TORQUE DATA

### ASME Class 150 and 300 Valves

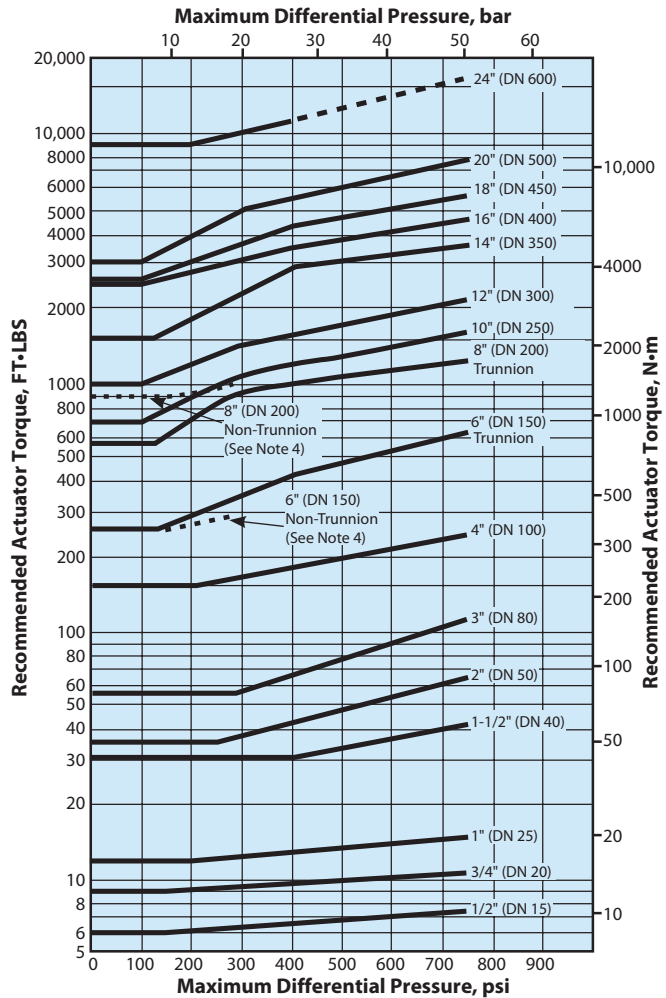
#### PEEK (L) Seated Valves 1/2" - 6" (DN 15 - 150)



#### PFA (B) Seated Valves 1/2" - 8" (DN 15 - 200)



#### UHMW Polyethylene (U) Seated Valves



**Note 1:** Actuator is required;

**Note 2:** Actuator is required for difficult service;

**Note 3:** Actuator is required for difficult service and pressure greater than 500 psi.

**Note 4:** Dashed line indicates Non-Trunnion and is rated to Class 150 only for seats.



### EMISSION-PAK SERIES 9000 BALL VALVES

The Emission-Pak provides additional protection from emissions and stem seal leakage, and the ability to monitor leakage for critical applications.

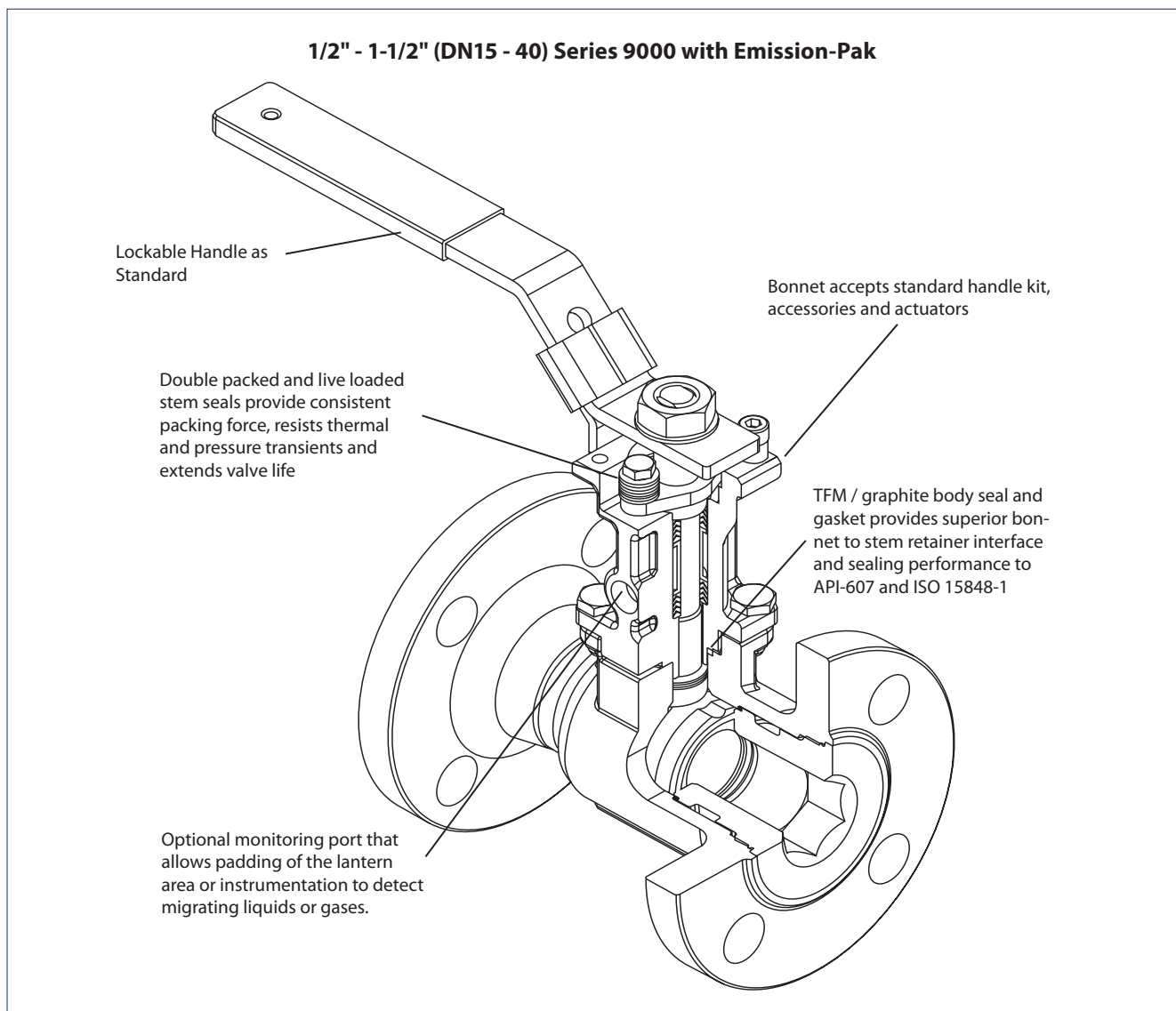
The Emission-Pak is an extended stem retainer containing two sets of stem seals which is mounted in the valve body. A special TFM and graphite gasket maintains a leak-free joint and assures that a Fire-Tite valve retains its fire tested rating.

### AVAILABLE CONFIGURATIONS

| Full Bore Valves |                         |            |
|------------------|-------------------------|------------|
| Valve            | Size Range              | ASME Class |
| 9150, 9180       | 1/2" – 6" (DN 15 – 150) | 150        |
| 9300, 9380       | 1/2" – 4" (DN 15 – 100) | 300        |

### FEATURES

- ❑ Two separate live loaded v-ring stem seals
- ❑ One piece stem
- ❑ Two thrust bearings
- ❑ Optional stem seal monitoring port permits detection of primary stem seal wear or leakage
- ❑ ISO 15848-1 Class AH rated

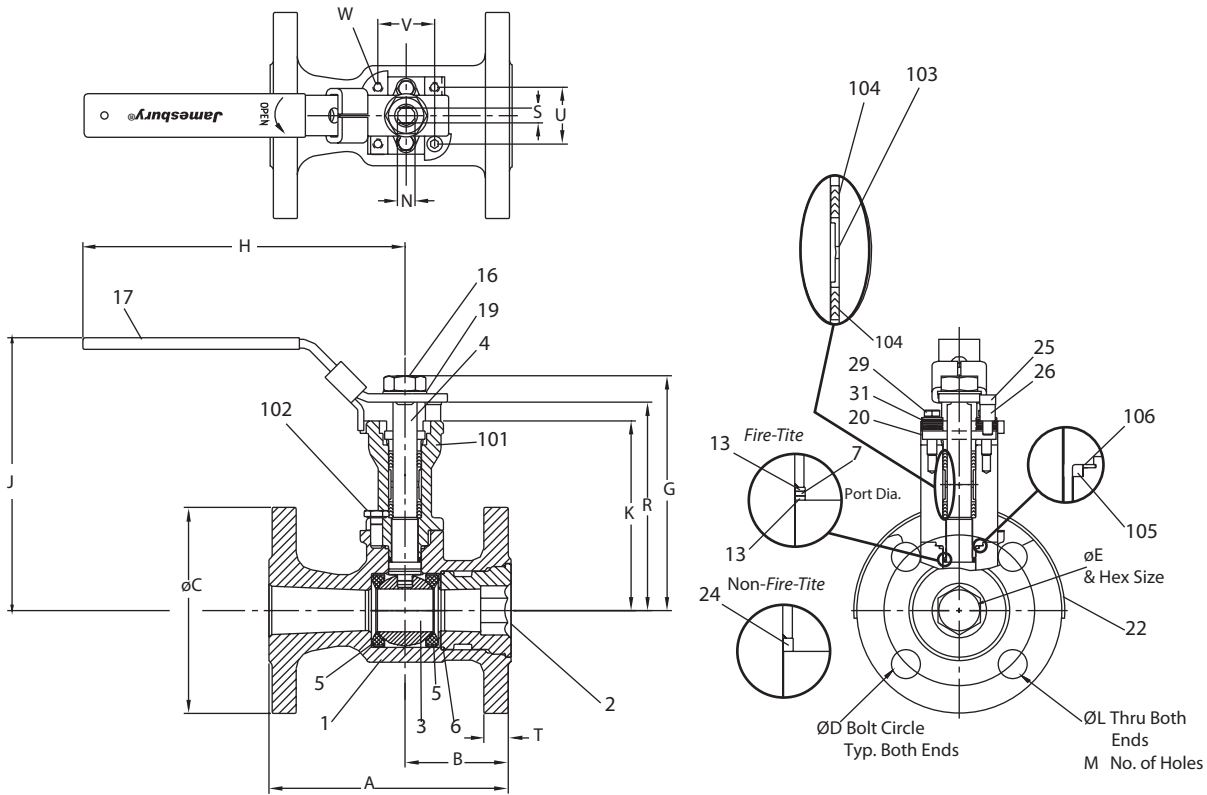


### Qualification Test

Emission-Pak 1/2" - 1-1/2" (DN 15 – 40) 9000 series are qualified to ISO 15848-1 AH-CC3-SSA1-T200.

**DIMENSIONS**

**1/2" - 1-1/2" (DN15 - 40) Series 9150 ASME Class 150 and Series 9300 ASME Class 300 with Emission-Pak (Non-Trunnion)**



| Valve Size inches | Series 9150 Emission-Pak ASME Class 150 Approximate Dimensions - inches |      |      |      |      |      |      |      |      |      |   |      |      |      |      |       |       |    | ISO Bonnet |
|-------------------|---|------|------|------|------|------|------|------|------|------|---|------|------|------|------|-------|-------|----|------------|
|                   | A   | B    | C    | D    | E    | G    | H    | J    | K    | L    | M | N    | R    | S    | T    | U     | V     | W  |            |
| 1/2               | 4.25  | 1.94 | 3.50 | 2.38 | 0.50 | 3.61 | 5.00 | 4.42 | 3.08 | 0.62 | 4 | 0.31 | 3.30 | 0.18 | 0.50 | 1.002 | 1.002 | M5 | F03        |
| 3/4               | 4.63  | 2.19 | 3.88 | 2.75 | 0.88 | 4.85 | 6.50 | 5.60 | 3.95 | 0.62 | 4 | 0.50 | 4.30 | 0.31 | 0.63 | 1.168 | 1.168 | M5 | F04        |
| 1                 | 5.00  | 2.19 | 4.25 | 3.12 | 1.00 | 4.98 | 6.50 | 5.73 | 4.08 | 0.62 | 4 | 0.50 | 4.43 | 0.31 | 0.63 | 1.168 | 1.168 | M5 | F04        |
| 1-1/2             | 6.50  | 2.64 | 5.00 | 3.88 | 1.50 | 5.99 | 8.00 | 6.97 | 4.81 | 0.62 | 4 | 0.62 | 5.26 | 0.37 | 0.69 | 1.392 | 1.392 | M6 | F05        |

| Valve Size DN | Series 9150 Emission-Pak ASME Class 150 Approximate Dimensions - mm |    |     |    |    |     |     |     |     |    |   |    |     |   |    |    |    |    | ISO Bonnet |
|---------------|---|----|-----|----|----|-----|-----|-----|-----|----|---|----|-----|---|----|----|----|----|------------|
|               | A   | B  | C   | D  | E  | G   | H   | J   | K   | L  | M | N  | R   | S | T  | U  | V  | W  |            |
| 15            | 108   | 49 | 89  | 60 | 13 | 92  | 127 | 112 | 78  | 16 | 4 | 8  | 84  | 5 | 13 | 25 | 25 | M5 | F03        |
| 20            | 118   | 56 | 99  | 70 | 22 | 123 | 165 | 142 | 100 | 16 | 4 | 13 | 109 | 8 | 15 | 30 | 30 | M5 | F04        |
| 25            | 127   | 56 | 108 | 79 | 25 | 126 | 165 | 146 | 104 | 16 | 4 | 13 | 113 | 8 | 15 | 30 | 30 | M5 | F04        |
| 40            | 165   | 67 | 127 | 99 | 38 | 152 | 203 | 177 | 122 | 16 | 4 | 16 | 134 | 9 | 18 | 35 | 35 | M6 | F05        |

| Valve Size inches | Series 9300 Emission-Pak ASME Class 300 Approximate Dimensions - inches |      |      |      |      |      |      |      |      |      |   |      |      |      |      |       |       |    | ISO Bonnet |
|-------------------|---|------|------|------|------|------|------|------|------|------|---|------|------|------|------|-------|-------|----|------------|
|                   | A   | B    | C    | D    | E    | G    | H    | J    | K    | L    | M | N    | R    | S    | T    | U     | V     | W  |            |
| 1/2               | 5.50  | 1.94 | 3.75 | 2.62 | 0.50 | 3.61 | 5.00 | 4.42 | 3.08 | 0.62 | 4 | 0.31 | 3.30 | 0.18 | 0.52 | 1.002 | 1.002 | M5 | F03        |
| 3/4               | 6.00  | 2.19 | 4.63 | 3.25 | 0.88 | 4.85 | 6.50 | 5.60 | 3.95 | 0.75 | 4 | 0.50 | 4.30 | 0.31 | 0.63 | 1.168 | 1.168 | M5 | F04        |
| 1                 | 6.50  | 2.19 | 4.88 | 3.50 | 1.00 | 4.98 | 6.50 | 5.73 | 4.08 | 0.75 | 4 | 0.50 | 4.43 | 0.31 | 0.63 | 1.168 | 1.168 | M5 | F04        |
| 1-1/2             | 7.50  | 2.64 | 6.13 | 4.50 | 1.50 | 5.99 | 8.00 | 6.97 | 4.81 | 0.88 | 4 | 0.62 | 5.26 | 0.37 | 0.71 | 1.392 | 1.392 | M6 | F05        |

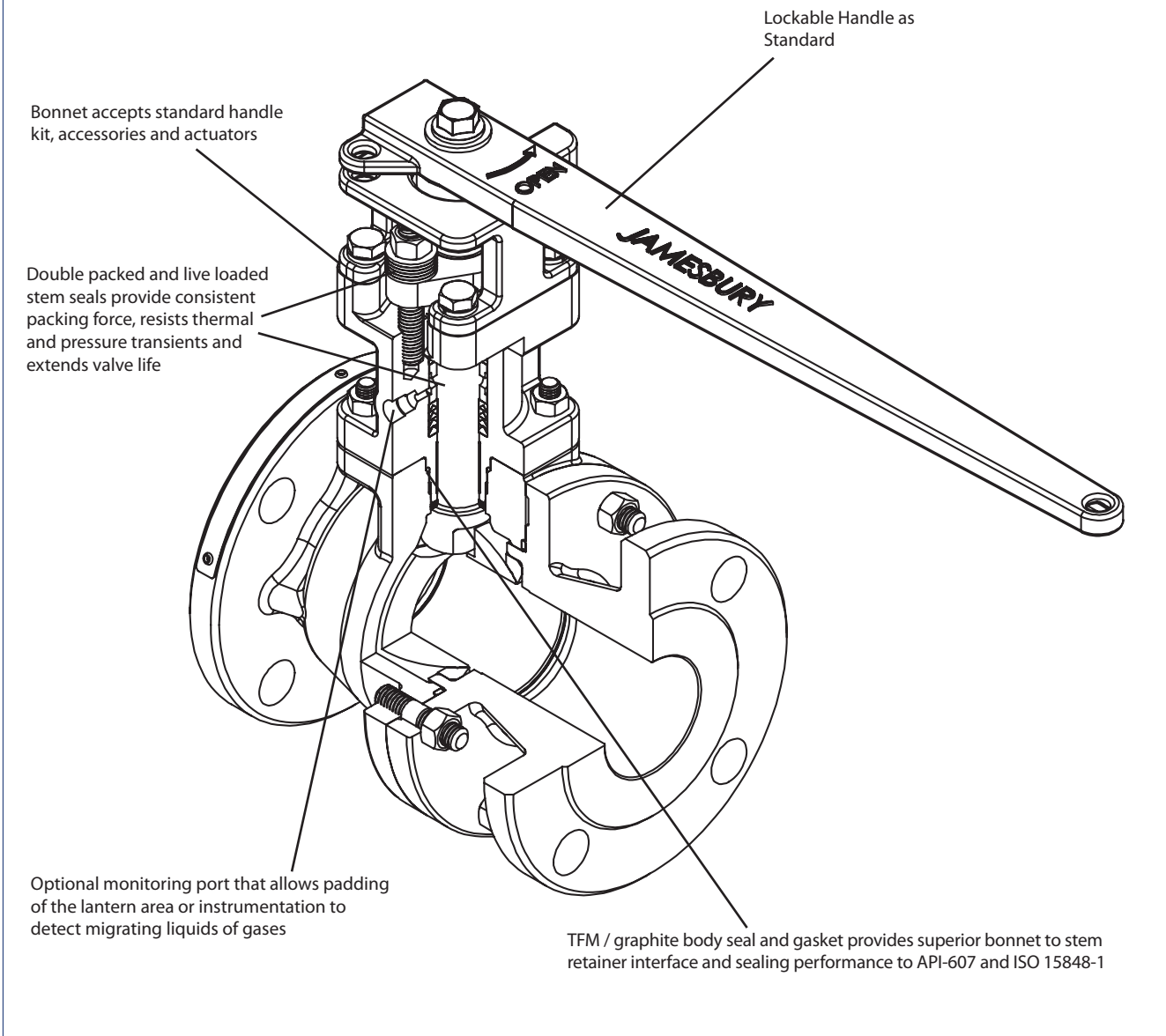
| Valve Size DN | Series 9300 Emission-Pak ASME Class 300 Approximate Dimensions - mm |    |     |     |    |     |     |     |     |    |   |    |     |   |    |    |    |    | ISO Bonnet |
|---------------|---|----|-----|-----|----|-----|-----|-----|-----|----|---|----|-----|---|----|----|----|----|------------|
|               | A   | B  | C   | D   | E  | G   | H   | J   | K   | L  | M | N  | R   | S | T  | U  | V  | W  |            |
| 15            | 140   | 49 | 95  | 67  | 13 | 92  | 127 | 112 | 78  | 16 | 4 | 8  | 84  | 5 | 13 | 25 | 25 | M5 | F03        |
| 20            | 152   | 56 | 118 | 83  | 22 | 123 | 165 | 142 | 100 | 19 | 4 | 13 | 109 | 8 | 16 | 30 | 30 | M5 | F04        |
| 25            | 165   | 56 | 124 | 89  | 25 | 126 | 165 | 146 | 104 | 19 | 4 | 13 | 113 | 8 | 16 | 30 | 30 | M5 | F04        |
| 40            | 191   | 67 | 156 | 114 | 38 | 152 | 203 | 177 | 122 | 22 | 4 | 16 | 134 | 9 | 18 | 35 | 35 | M6 | F05        |

| BILLS OF MATERIALS AND PARTS LIST   |                          |  |   |                              |                                   |
|---|--------------------------|--|---|------------------------------|-----------------------------------|
| Fire-Tite 1/2" – 1-1/2" (DN15 – 40) Full Port Series 9000 Valves with <i>Emission-Pak</i> |                          |  |   |                              |                                   |
| Part No.  | Part Name                | Body Material  |   |                              |                                   |
|   |                          | Carbon Steel (22)  | 316 Stainless Steel (36)                | Alloy 20 (35)                | Monel (71)                        |
| 1   | Body                     | Carbon Steel ASTM A216 Type WCB                              | 316 Stainless Steel ASTM A351 Type CF8M | Alloy 20 ASTM A351 Type CN7M | Monel ASTM A494 M35-1             |
| 2   | Insert                   | Carbon Steel ASTM A216 Type WCB                              | 316 Stainless Steel ASTM A351 Type CF8M | Alloy 20 ASTM A351 Type CN7M | Monel ASTM A494 M35-1             |
| 3   | Ball                     | 316 Stainless Steel, Monel, Hastelloy C                      |   | Alloy 20                     | Monel, Hastelloy C as specified   |
| 4   | Stem                     | 316 Stainless Steel, 17-4PH, K-Monel, Hastelloy C            |   | Alloy 20                     | K-Monel, Hastelloy C as specified |
| 5   | Seat                     | PTFE, Xtreme, PFA  |   |                              |                                   |
| 6   | Body Seal                | TFM  |   |                              |                                   |
| 7   | Secondary Stem Seal      | Graphite   |   |                              |                                   |
| 13  | Stem Bearing             | PTFE, Filled PTFE  |   |                              |                                   |
| 16  | Hex Nut                  | Carbon Steel (zinc plated)                                   |   |                              |                                   |
| 17  | Handle                   | Carbon Steel (zinc plated)                                   | 300 Series Stainless Steel              |                              |                                   |
| 19  | Lock Washer              | Carbon Steel (zinc plated)                                   | 300 Series Stainless Steel              |                              |                                   |
| 22  | Identification Tag       | Stainless Steel  |   |                              |                                   |
| 23  | Pop Rivet                | Stainless Steel  |   |                              |                                   |
| 20  | Compression Plate        | 316 Stainless Steel  | 300 Series Stainless Steel              |                              |                                   |
| 25  | Socket Cap Screw         | 300 Stainless Steel  |   |                              | Monel                             |
| 26  | Handle Stop Screw        | 300 Stainless Steel  |   |                              |                                   |
| 29  | Hex Cap Screw            | 300 Stainless Steel  |   |                              |                                   |
| 31  | Disc Springs             | Inconel  |   |                              | Monel                             |
| 101   | Emission-Pak Housing     | Carbon Steel ASTM A216 Type WCB                              | 316 Stainless Steel ASTM A351 Type CF8M | Alloy 20 ASTM A351 Type CN7M | Monel ASTM A494 M35-1             |
| 102   | Hex Head Cap Screw       | ASTM A193 GR. B7, ASTM A193 GR. B8, B8C, B8T or B8M, K-Monel |   |                              |                                   |
| 103   | Lantern Ring             | 316 Stainless Steel, Monel, Alloy 20                         |   |                              |                                   |
| 104   | Double Stem Seals        | TFM  |   |                              |                                   |
| 105   | Emission-Pak Body Seal   | TFM  |   |                              |                                   |
| 106   | Emission-Pak Body Gasket | Graphite   |   |                              |                                   |
| 107   | Pipe Plug                | Plastic  |   |                              |                                   |
| 109   | Bearing Strip            | PTFE   |   |                              |                                   |
| 112   | Warning Tag              | Polyethylene   |   |                              |                                   |

| BILLS OF MATERIALS AND PARTS LIST  |                          |   |   |                              |                                   |
|--|--------------------------|---|---|------------------------------|-----------------------------------|
| Non-Fire-Tite 1/2" - 1-1/2" (DN15 - 40) Full Port Series 9000 Valves with Emission-Pak |                          |   |   |                              |                                   |
| Part No.   | Part Name                | Body Material   |   |                              |                                   |
|  |                          | Carbon Steel (22)   | 316 Stainless Steel (36)                | Alloy 20 (35)                | Monel (71)                        |
| 1  | Body                     | Carbon Steel ASTM A216 Type WCB   | 316 Stainless Steel ASTM A351 Type CF8M | Alloy 20 ASTM A351 Type CN7M | Monel ASTM A494 M35-1             |
| 2  | Insert                   | Carbon Steel ASTM A216 Type WCB   | 316 Stainless Steel ASTM A351 Type CF8M | Alloy 20 ASTM A351 Type CN7M | Monel ASTM A494 M35-1             |
| 3  | Ball                     | 316 Stainless Steel, Monel, Hastelloy C   |   | Alloy 20                     | Monel, Hastelloy C as specified   |
| 4  | Stem                     | 316 Stainless Steel, 17-4PH, K-Monel, Hastelloy C   |   | Alloy 20                     | K-Monel, Hastelloy C as specified |
| 5  | Seat                     | PTFE, Xtreme, PFA, PEEK <sup>1</sup> & UHMWPE   |   |                              |                                   |
| 6  | Body Seal                | TFM (w/ PTFE, Xtreme, PFA seats) , UHMWPE (w/ UHMWPE seats), Graphite (w/ PEEK seats)                     |   |                              |                                   |
| 8  | Primary Stem Seal        | PTFE (w/ PTFE seats), TFM (w/ Xtreme & PFA seats), UHMWPE (w/ UHMWPE seats), Graphite (w/ PEEK seats)     |   |                              |                                   |
| 10   | Stem Guide               | PEEK (PEEK seated valves)   |   |                              |                                   |
| 16   | Hex Nut                  | Carbon Steel (zinc plated)  | 300 Series Stainless Steel              |                              |                                   |
| 17   | Handle                   | Carbon Steel (zinc plated)  | 300 Series Stainless Steel              |                              |                                   |
| 19   | Lock Washer              | Carbon Steel (zinc plated)  | 300 Series Stainless Steel              |                              |                                   |
| 20   | Compression Plate        | 316 Stainless Steel   |   |                              | Monel                             |
| 22   | Identification Tag       | Stainless Steel   |   |                              |                                   |
| 23   | Pop Rivet                | Stainless Steel   |   |                              |                                   |
| 24   | Stem Bearing             | PTFE (w/ PTFE seats), Filled PTFE (w/ Xtreme & PFA seats), PEEK (w/ PEEK seats), UHMWPE (w/ UHMWPE seats) |   |                              |                                   |
| 25   | Socket Cap Screw         | 300 Stainless Steel   |   |                              |                                   |
| 26   | Handle Stop Screw        | 300 Stainless Steel   |   |                              |                                   |
| 29   | Hex Cap Screw            | 300 Stainless Steel   |   |                              | Monel                             |
| 31   | Disc Springs             | Inconel   |   |                              |                                   |
| 101  | Emission-Pak Housing     | Carbon Steel ASTM A216 Type WCB   | 316 Stainless Steel ASTM A351 Type CF8M | Alloy 20 ASTM A351 Type CN7M | Monel ASTM A494 M35-1             |
| 102  | Hex Head Cap Screw       | ASTM A193 GR. B7, ASTM A193 GR. B8, B8C, B8T or B8M, K-Monel  |   |                              |                                   |
| 103  | Lantern Ring             | 316 Stainless Steel, Monel, Alloy 20  |   |                              |                                   |
| 104  | Double Stem Seals        | TFM (w/ Xtreme, PTFE & PFA seats), UHMWPE (w/ UHMWPE seats), Graphite (w/ PEEK seats)                     |   |                              |                                   |
| 105  | Emission-Pak Body Seal   | TFM, UHMWPE (w/ UHMWPE seats)   |   |                              |                                   |
| 106  | Emission-Pak Body Gasket | Graphite  |   |                              |                                   |
| 107  | Pipe Plug                | Plastic   |   |                              |                                   |
| 109  | Bearing Strip            | PTFE  |   |                              |                                   |
| 112  | Warning Tag              | Polyethylene  |   |                              |                                   |

**Note 1:** 17-4PH stem required with PEEK seats

**2" - 6" (DN 50 - 150) Series 9150 valves with Emission-Pak**  
**2" - 4" (DN 50 - 100) Series 9300 valves with Emission-Pak**

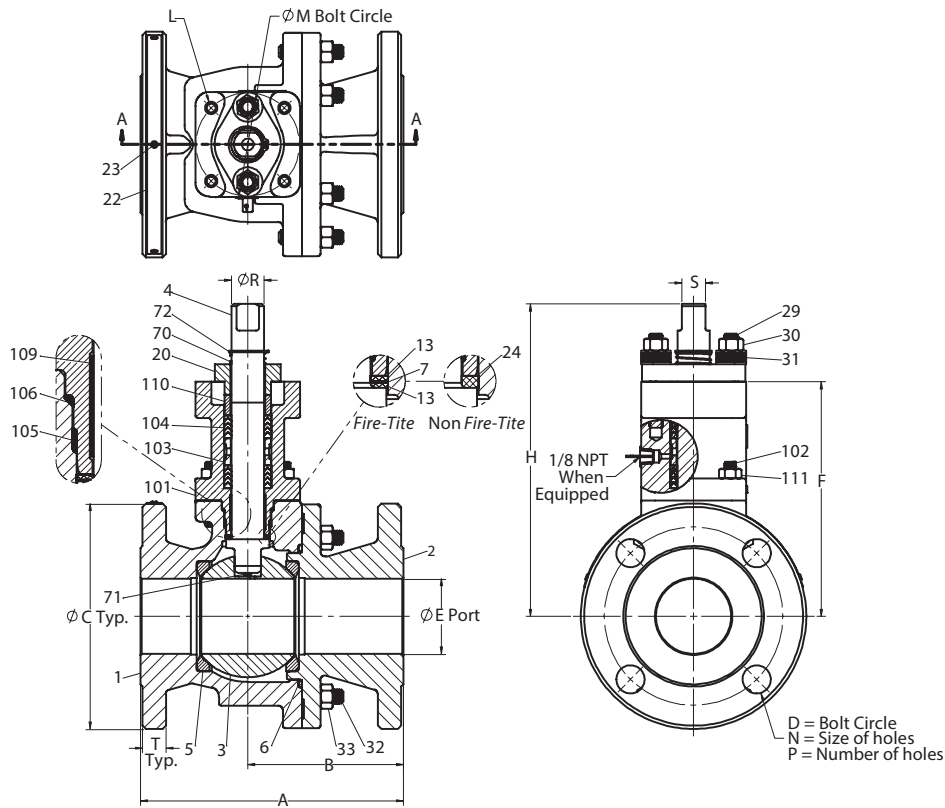


**Qualification Test**

2" – 6" (DN 50 – 150) 9150 and 2" - 4" 9300 (DN 50 - 100) series with Emission-Pak are qualified to ISO 15848-1 AH CO3-SSA3 T(200C).

**DIMENSIONS**

**2" - 6" (DN50 - 150) Series 9150 ASME Class 150 and Series 9300 ASME Class 300 with Emission-Pak (Non-Trunnion)**



**Series 9150 Emission-Pak ASME Class 150 Approximate Dimensions - inches**

| Valve Size inches | A     | B    | C     | D    | E    | F     | H     | L   | M    | N    | P | R    | S    | T    | ISO Pattern | Weight lb |
|-------------------|-------|------|-------|------|------|-------|-------|-----|------|------|---|------|------|------|-------------|-----------|
| 2                 | 7.00  | 4.14 | 6.00  | 4.75 | 2.00 | 6.24  | 8.31  | M8  | 2.76 | 0.75 | 4 | 0.86 | 0.62 | 0.62 | F07         | 39        |
| 3                 | 8.00  | 4.26 | 7.50  | 6.00 | 3.00 | 7.06  | 9.11  | M8  | 2.76 | 0.75 | 4 | 0.86 | 0.62 | 0.75 | F07         | 59        |
| 4                 | 9.00  | 4.50 | 9.00  | 7.50 | 4.00 | 9.45  | 12.18 | M10 | 4.02 | 0.75 | 8 | 1.11 | 0.81 | 0.94 | F10         | 105       |
| 6                 | 15.50 | 8.25 | 11.00 | 9.50 | 6.00 | 11.39 | 14.49 | M12 | 4.92 | 0.88 | 8 | 1.61 | 1.12 | 1.00 | F12         | 276       |

**Series 9150 Emission-Pak ASME Class 150 Approximate Dimensions - mm**

| Valve Size DN | A   | B   | C   | D   | E   | F   | H   | L   | M   | N  | P | R  | S  | T  | ISO Pattern | Weight kg |
|---------------|-----|-----|-----|-----|-----|-----|-----|-----|-----|----|---|----|----|----|-------------|-----------|
| 50            | 178 | 105 | 152 | 121 | 51  | 158 | 211 | M8  | 70  | 19 | 4 | 22 | 16 | 16 | F07         | 18        |
| 80            | 203 | 108 | 191 | 152 | 76  | 179 | 231 | M8  | 70  | 19 | 4 | 22 | 16 | 19 | F07         | 27        |
| 100           | 229 | 114 | 229 | 191 | 102 | 240 | 309 | M10 | 102 | 19 | 8 | 28 | 21 | 24 | F10         | 48        |
| 150           | 394 | 210 | 279 | 241 | 152 | 289 | 368 | M12 | 125 | 22 | 8 | 41 | 28 | 25 | F12         | 125       |

**Series 9300 Emission-Pak ASME Class 300 Approximate Dimensions - inches**

| Valve Size inches | A     | B    | C     | D    | E | F    | H     | L   | M    | N    | P | R    | S    | T    | ISO Pattern | Weight lb |
|-------------------|-------|------|-------|------|---|------|-------|-----|------|------|---|------|------|------|-------------|-----------|
| 2                 | 8.50  | 4.89 | 6.50  | 5.00 | 2 | 6.24 | 8.31  | M8  | 2.76 | 0.75 | 4 | 0.86 | 0.62 | 0.87 | F07         | 47        |
| 3                 | 11.12 | 6.11 | 8.25  | 6.62 | 3 | 8.63 | 11.34 | M10 | 4.02 | 0.88 | 8 | 1.11 | 0.81 | 1.12 | F10         | 93        |
| 4                 | 12.00 | 6.86 | 10.00 | 7.88 | 4 | 9.77 | 12.87 | M12 | 4.92 | 0.88 | 8 | 1.61 | 1.12 | 1.25 | F12         | 168       |

**Series 9300 Emission-Pak ASME Class 300 Approximate Dimensions - mm**

| Valve Size DN | A   | B   | C   | D   | E   | F   | H   | L   | M   | N  | P | R  | S  | T  | ISO Pattern | Weight kg |
|---------------|-----|-----|-----|-----|-----|-----|-----|-----|-----|----|---|----|----|----|-------------|-----------|
| 80            | 216 | 124 | 165 | 127 | 51  | 158 | 211 | M8  | 70  | 19 | 4 | 22 | 16 | 22 | F07         | 21        |
| 100           | 282 | 155 | 210 | 168 | 76  | 219 | 288 | M10 | 102 | 22 | 8 | 28 | 21 | 28 | F10         | 42        |
| 150           | 305 | 174 | 254 | 200 | 102 | 248 | 327 | M12 | 125 | 22 | 8 | 41 | 28 | 32 | F12         | 76        |

| BILLS OF MATERIALS AND PARTS LIST  |                            |   |   |                                |                                   |
|--|----------------------------|---|---|--------------------------------|-----------------------------------|
| Fire-Tite 2" - 6" (DN50 - 150) Full Port Series 9150 Valves, 2" - 4" (DN50 - 100) Full Port Series 9300 Valves with Emission-Pak |                            |   |   |                                |                                   |
| Part No.   | Part Name                  | Body Material   |   |                                |                                   |
|  |                            | Carbon Steel (22)   | 316 Stainless Steel (36)                | Alloy 20 (35)                  | Monel (71)                        |
| 1  | Body                       | Carbon Steel ASTM A216 Type WCB                                 | 316 Stainless Steel ASTM A351 Type CF8M | Alloy 20 ASTM A351 Type CN7M   | Monel ASTM A494 M35-1             |
| 2  | Body Cap                   | Carbon Steel ASTM A216 Type WCB                                 | 316 Stainless Steel ASTM A351 Type CF8M | Alloy 20 ASTM A351 Type CN7M   | Monel ASTM A494 M35-1             |
| 3  | Ball                       | 316 Stainless Steel, Monel, Hastelloy C                         |   | Alloy 20                       | Monel, Hastelloy C as specified   |
| 4  | Stem                       | 316 Stainless Steel, 17-4PH, K-Monel, Hastelloy C               |   | Alloy 20                       | K-Monel, Hastelloy C as specified |
| 5  | Seat                       | PTFE, Xtreme, PFA   |   |                                |                                   |
| 6  | Body Seal                  | Spiral Wound Graphite/316 Stainless Steel                       |   | Spiral Wound Graphite/Alloy 20 | Spiral Wound Graphite/Monel       |
| 7  | Secondary Stem Seal        | Graphite  |   |                                |                                   |
| 13   | Thrust Bearing             | PTFE, Filled PTFE   |   |                                |                                   |
| 20   | Compression Plate          | 316 Stainless Steel   |   |                                | Monel                             |
| 22   | Identification Tag         | Stainless Steel   |   |                                |                                   |
| 23   | Pop Rivet                  | Stainless Steel   |   |                                |                                   |
| 29   | Bonnet Stud                | ASTM A193 GR. B8, B8C, B8T or B8M, K-Monel                      |   |                                |                                   |
| 30   | Bonnet Stud Nut            | ASTM A194 GR. 8B, 8CB, 8MB, 8TB, 8FB, K-Monel                   |   |                                |                                   |
| 31   | Disc Springs               | Inconel   |   |                                |                                   |
| 32   | Body Stud                  | ASTM A193 GR. B8, B8C, B8T or B8M, K-Monel                      |   |                                |                                   |
| 33   | Body Stud Nut              | ASTM A194 GR. 8B, 8CB, 8MB, 8TB, 8FB, K-Monel                   |   |                                |                                   |
| 70   | Top Grounding Spring       | Stainless Steel   |   |                                |                                   |
| 71   | Bottom Grounding Spring    | Inconel   |   |                                |                                   |
| 72   | Retaining Ring             | Stainless Steel   |   |                                |                                   |
| 101  | Emission-Pak Stem Retainer | Carbon Steel ASTM A216 Type WCB                                 | 316 Stainless Steel ASTM A351 Type CF8M | Alloy 20 ASTM A351 Type CN7M   | Monel ASTM A494 M35-1             |
| 102  | Stud                       | ASTM A193 GR. B7, ASTM A193 GR. B8, B8C, B8T or B8M, K-Monel    |   |                                |                                   |
| 103  | Spacer/Lantern Ring        | 316 Stainless Steel, Monel, Alloy 20                            |   |                                |                                   |
| 104  | Stem Seal                  | PTFE (w/ PTFE seats), TFM (w/ Xtreme & PFA seats)               |   |                                |                                   |
| 105  | Inner Stem Retainer Seal   | TFM   |   |                                |                                   |
| 106  | Outer Stem Retainer Seal   | Graphite  |   |                                |                                   |
| 107  | Pipe Plug                  | Plastic   |   |                                |                                   |
| 109  | Bearing Strip              | PTFE  |   |                                |                                   |
| 110  | Compression Ring           | 316 Stainless Steel, Monel                                      |   |                                |                                   |
| 111  | Hex Nut                    | ASTM A194 GR. 2H, ASTM A194 GR. 8B, 8CB, 8MB, 8TB, 8FB, K-Monel |   |                                |                                   |
| 112  | Warning Tag                | Polyethylene  |   |                                |                                   |

| BILLS OF MATERIALS AND PARTS LIST  |                            |   |   |                              |                                   |
|--|----------------------------|---|---|------------------------------|-----------------------------------|
| Non-Fire-Tite 2" - 6" (DN50 - 150) Full Port Series 9150 Valves, 2" - 4" (DN50 - 100) Full Port Series 9300 Valves with Emission-Pak |                            |   |   |                              |                                   |
| Part No.   | Part Name                  | Body Material   |   |                              |                                   |
|  |                            | Carbon Steel (22)   | 316 Stainless Steel (36)                | Alloy 20 (35)                | Monel (71)                        |
| 1  | Body                       | Carbon Steel ASTM A216 Type WCB   | 316 Stainless Steel ASTM A351 Type CF8M | Alloy 20 ASTM A351 Type CN7M | Monel ASTM A494 M35-1             |
| 2  | Body Cap                   | Carbon Steel ASTM A216 Type WCB   | 316 Stainless Steel ASTM A351 Type CF8M | Alloy 20 ASTM A351 Type CN7M | Monel ASTM A494 M35-1             |
| 3  | Ball                       | 316 Stainless Steel, Monel, Hastelloy C   |   | Alloy 20                     | Monel, Hastelloy C as specified   |
| 4  | Stem                       | 316 Stainless Steel, 17-4PH, K-Monel, Hastelloy C   |   | Alloy 20                     | K-Monel, Hastelloy C as specified |
| 5  | Seat                       | PTFE, Xtreme, PFA   |   |                              |                                   |
| 6  | Body Seal                  | Spiral Wound PTFE/316 Stainless Steel   |   | Spiral Wound PTFE/Alloy 20   | Spiral Wound PTFE/Monel           |
| 8  | Stem Seal                  | PTFE (w/ PTFE seats), TFM (w/ Xtreme & PFA seats)   |   |                              |                                   |
| 13   | Thrust Bearing             | PTFE, Filled PTFE   |   |                              |                                   |
| 20   | Compression Plate          | 316 Stainless Steel   |   |                              | Monel                             |
| 22   | Identification Tag         | Stainless Steel   |   |                              |                                   |
| 23   | Pop Rivet                  | Stainless Steel   |   |                              |                                   |
| 29   | Bonnet Stud                | ASTM A193 GR. B8, B8C, B8T or B8M, K-Monel  |   |                              |                                   |
| 30   | Bonnet Stud Nut            | ASTM A194 GR. 8B, 8CB, 8MB, 8TB, 8FB, K-Monel   |   |                              |                                   |
| 31   | Disc Springs               | Inconel   |   |                              |                                   |
| 32   | Body Stud                  | ASTM A193 GR. B8, B8C, B8T or B8M, K-Monel  |   |                              |                                   |
| 33   | Body Stud Nut              | ASTM A194 GR. 8B, 8CB, 8MB, 8TB, 8FB, K-Monel   |   |                              |                                   |
| 70   | Top Grounding Spring       | Stainless Steel   |   |                              |                                   |
| 71   | Bottom Grounding Spring    | Inconel   |   |                              |                                   |
| 72   | Retaining Ring             | Stainless Steel   |   |                              |                                   |
| 101  | Emission-Pak Stem Retainer | Carbon Steel ASTM A216 Type WCB   | 316 Stainless Steel ASTM A351 Type CF8M | Alloy 20 ASTM A351 Type CN7M | Monel ASTM A494 M35-1             |
| 102  | Stud                       | ASTM A193 GR. B7, ASTM A193 GR. B8, B8C, B8T or B8M, K-Monel  |   |                              |                                   |
| 103  | Spacer/Lantern Ring        | 316 Stainless Steel, Monel, Alloy 20  |   |                              |                                   |
| 104  | Stem Seal                  | PTFE (w/ PTFE seats), TFM (w/ Xtreme & PFA seats), UHMWPE (w/ UHMWPE seats), Graphite (w/ PEEK seats) |   |                              |                                   |
| 105  | Inner Stem Retainer Seal   | TFM, PFA (w/ PFA Seats), UHMWPE (w/ UHMWPE seats)   |   |                              |                                   |
| 106  | Outer Stem Retainer Seal   | Graphite  |   |                              |                                   |
| 107  | Pipe Plug                  | Plastic   |   |                              |                                   |
| 109  | Bearing Strip              | PTFE  |   |                              |                                   |
| 110  | Compression Ring           | 316 Stainless Steel, Monel  |   |                              |                                   |
| 111  | Hex Nut                    | ASTM A194 GR. 2H, ASTM A194 GR. 8B, 8CB, 8MB, 8TB, 8FB, K-Monel                                       |   |                              |                                   |
| 112  | Warning Tag                | Polyethylene  |   |                              |                                   |



### EMISSION-PAK VALVE TORQUE DATA

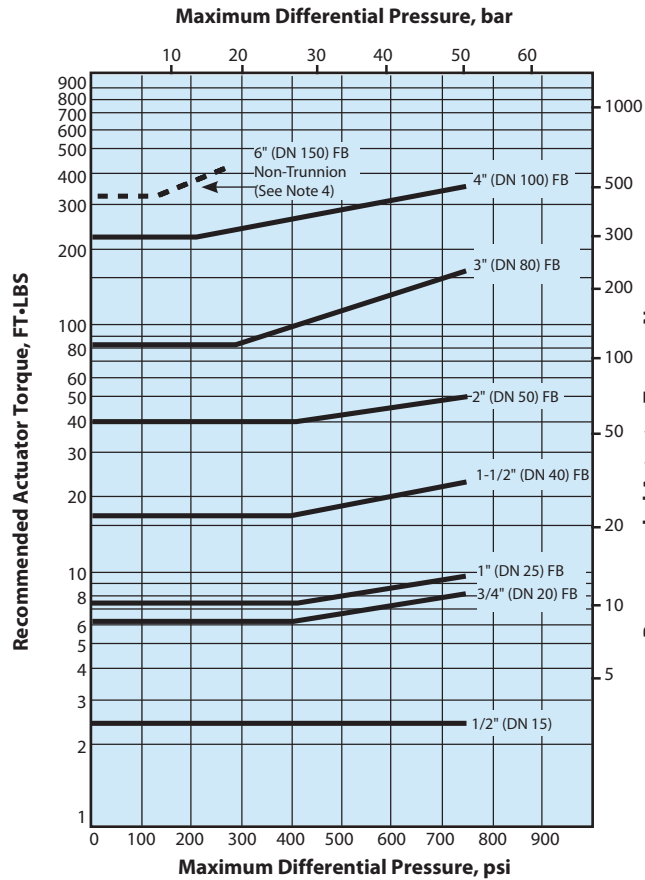
Use these torque charts as a guide for actuator selection. Additional requirements may be imposed by media characteristics, trim, and frequency of valve operation. For clean lubricating fluid service, required torque for PTFE (T) and Xtreme (X) seated valves only may be reduced 20% when the valve is equipped with corrosion resistant trim. For difficult services such as slurries and semi-solids, and for oxygen, increase values by 50%. If in doubt, err on the side of safety by using a larger actuator than would normally be selected.

Torque output values and actuator selection tables for the different types of Jamesbury actuators are contained in the bulletins listed below.

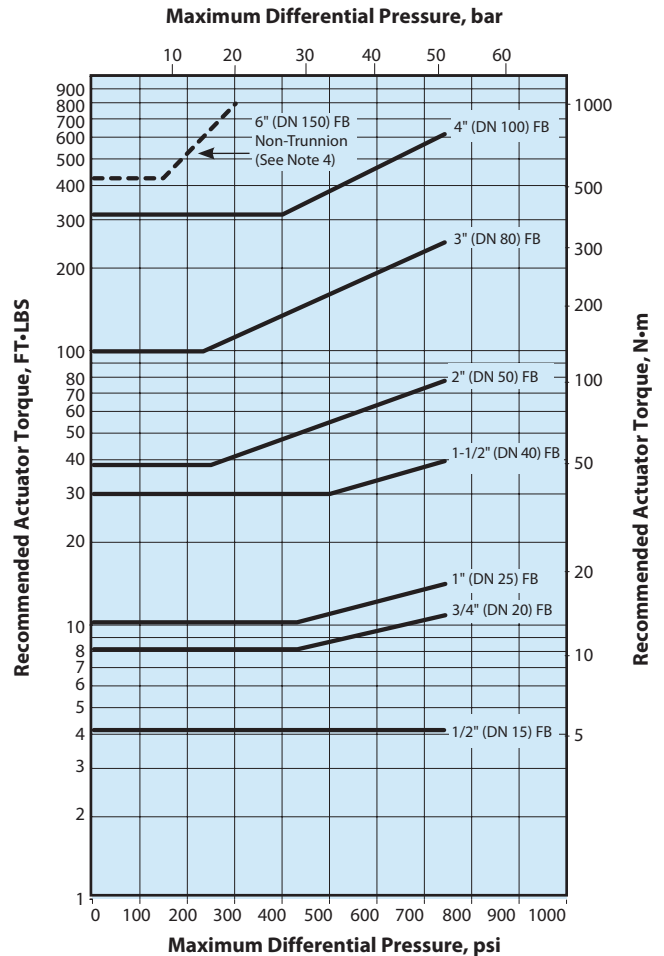
|                                |                 |
|--------------------------------|-----------------|
| Manual Gear Actuators          | A100-1          |
| B-Series Piston Actuators      | 6 B 20          |
| Quadra-Powr X Spring Diaphragm |                 |
| Rotary Actuators               | A110-4          |
| Valv-Powr Series VPVL          | A111-5          |
| VV-Series Electric Actuators   | V200-1          |
| ADC-Series Electric Actuators  | V201-1          |
| LC Series' Electric Actuators  | V202-1 & V203-1 |
| ESR-Series Electric Actuators  | V204-1          |
| Q6-Series Electric Actuators   | V205-1          |
| QX-Series Electric Actuators   | V207-1          |

### ASME Class 150 and 300 Valve Torque Data

PTFE (T) Seated Valves



Xtreme (X) and TFM (Z) Seated Valves



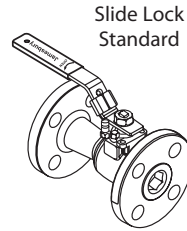
FB = Full Bore

**Note 4:** Dashed line indicates Non-Trunnion and is rated to Class 150 only for seats.

**ACCESSORIES**

**Locking Devices**

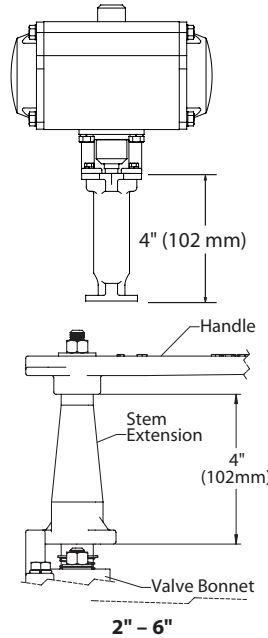
When safety measures are necessary, a reliable locking feature is standard to allow the valve to be padlocked in either the open or closed position.



1/2" - 1-1/2" (DN 15 - 40)  
Series 9000

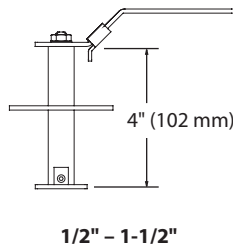
**Bonnet/Stem Extensions**

4" (102 mm) bonnet/stem extensions are available for applications and are particularly useful for automated and manual products. Extensions can also be used to prevent interference between actuators and companion pipelines and equipment. They are ideal as extension that require locking lever or locking oval handle capability. Stainless steel construction is also available.



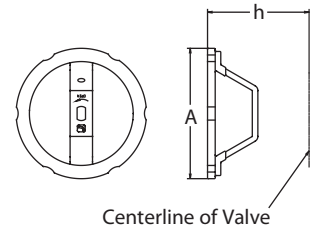
**Stem Extensions**

4" (102 mm) non-lockable stem extensions are available for manual valves. Extensions can also be used to prevent interference between companion pipelines and equipment. Compatible with all handle options. Stainless steel construction is also available.



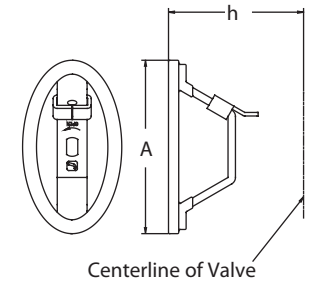
**Round Handles**

Series 9000 ball valves have optional round handles (non lockable) available. To order handles separately, specify the part number shown in the accessories table below.



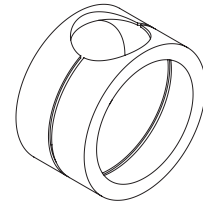
**Oval handles with slide-lock**

Optional oval handle saves space and may be padlocked to retain the valve in the open or closed position. To order handles separately, specify the part number shown in the accessories table below.



**Cavity Fillers**

Cavity fillers are available in non-trunnion 9000 series full bore valves. The fillers are PTFE or Xtreme and used for sanitary applications and in processes where cross contamination is a concern. Food processing, pharmaceuticals, cosmetics, paints, solvents, finishes and dyes are typical applications where fillers are employed.

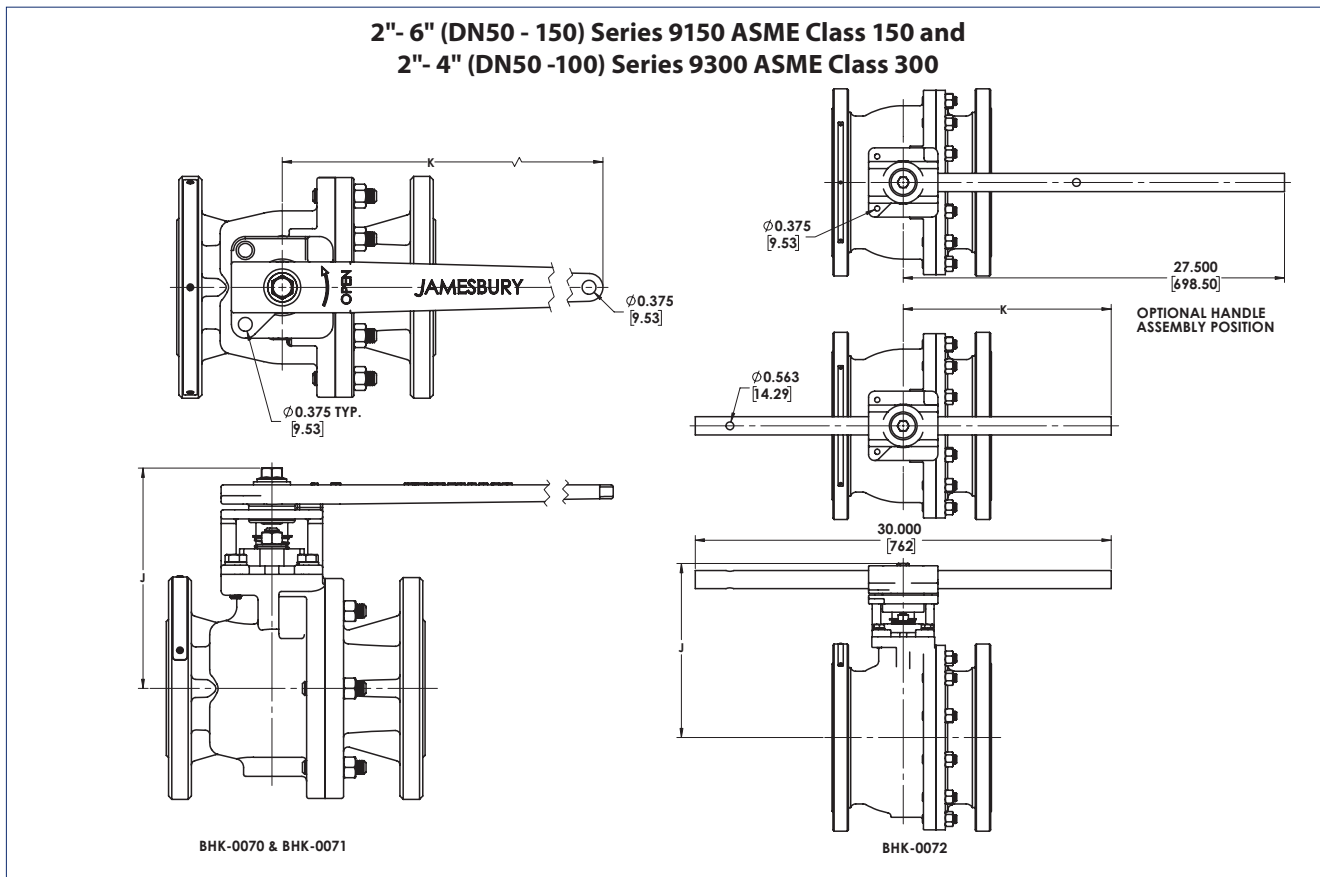


Accessory Table - inches (DN)

| Valve Size    | Lever Handle       | Locking Device     | Stem Ext. | Bonnet/ Stem Ext. | Locking Oval | Round       | Round/Oval Handle |              | Allowable Max. Torque FT·LBS (N·m) |         |
|---------------|--------------------|--------------------|-----------|-------------------|--------------|-------------|-------------------|--------------|------------------------------------|---------|
|               |                    |                    |           |                   |              |             | Dimension A       | Dimension H  | Round                              | Oval    |
| 1/2" (15)     | Standard Equipment | Standard Equipment | SE-093    | SE-096            | 112-0108-30  | 112-0105-30 | 4.00 (101.6)      | 2.96 (75.2)  | 9 (12)                             | 9 (12)  |
| 3/4" (20)     |                    |                    | SE-094    | SE-097            | 112-0109-30  | 112-0106-30 | 4.50 (114.3)      | 3.70 (94.0)  | 18 (24)                            | 18 (24) |
| 1" (25)       |                    |                    | SE-094    | SE-097            | 112-0109-30  | 112-0106-30 | 4.50 (114.3)      | 3.83 (97.3)  | 18 (24)                            | 18 (24) |
| 1-1/2" (30)   |                    |                    | SE-095    | SE-098            | 112-0110-30  | 112-0107-30 | 5.75 (146.0)      | 4.75 (120.7) | 25 (34)                            | 25 (34) |
| 1-1/2" (40)   |                    |                    | SE-095    | SE-098            | 112-0110-30  | 112-0107-30 | 5.75 (146.0)      | 4.94 (125.5) | 25 (34)                            | 25 (34) |
| 2" (50)       | BHK-0070           |                    | SE-099    | SE-0102           | NA           | NA          | NA                | NA           | NA                                 | NA      |
| 3" (80) 9150  | BHK-0070           |                    | SE-99     | SE-0102           |              |             |                   |              |                                    |         |
| 3" (80) 9300  | BHK-0071           |                    | SE-0100   | SE-0103           |              |             |                   |              |                                    |         |
| 4" (100) 9150 | BHK-0071           |                    | SE-0100   | SE-0103           |              |             |                   |              |                                    |         |
| 4" (100) 9300 | BHK-0072           |                    | SE-0101   | SE-0104           |              |             |                   |              |                                    |         |
| 6" (150) 9150 | BHK-0072           | SE-0101            | SE-0104   |                   |              |             |                   |              |                                    |         |

\* For valves with PEEK(L) seats that require stem extensions use bonnet/stem extension SE-096, 097 or 098.

### DIMENSIONS



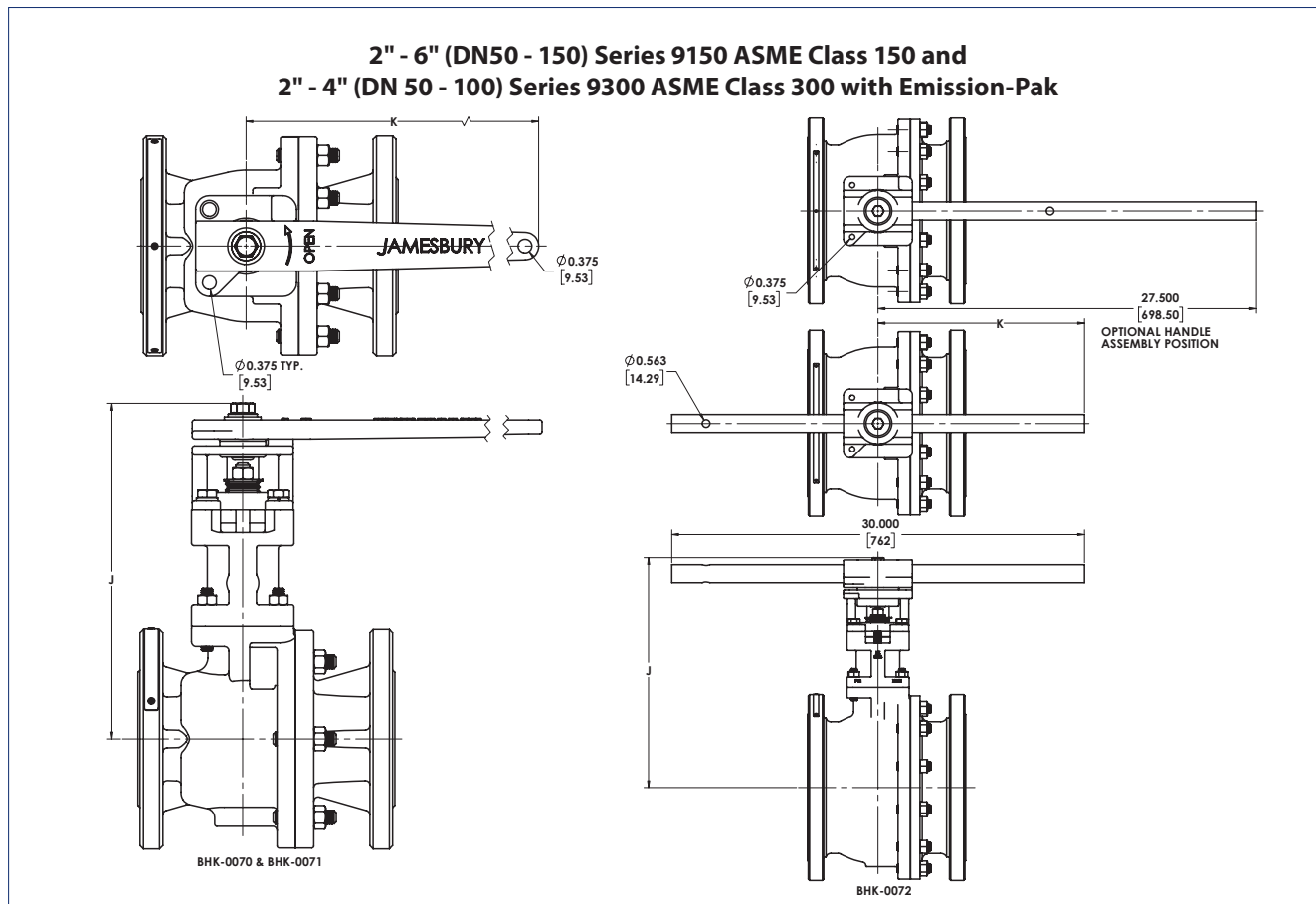
| Series 9150 ASME Class 150 Approximate Dimensions - inches |                   |       |       |             |           |
|--|-------------------|-------|-------|-------------|-----------|
| Valve Size Inches  | Handle Kit Number | J     | K     | ISO Pattern | Weight lb |
| 2  | BHK-0070          | 5.84  | 14.00 | F07         | 7         |
| 3  | BHK-0070          | 6.65  | 14.00 | F07         | 7         |
| 4  | BHK-0071          | 8.94  | 19.94 | F10         | 9         |
| 6  | BHK-0072          | 12.57 | 15.00 | F12         | 34        |

| Series 9150 ASME Class 150 Approximate Dimensions - mm |                   |     |     |             |           |
|--|-------------------|-----|-----|-------------|-----------|
| Valve Size DN  | Handle Kit Number | J   | K   | ISO Pattern | Weight kg |
| 50   | BHK-0070          | 148 | 356 | F07         | 3         |
| 80   | BHK-0070          | 169 | 356 | F07         | 3         |
| 100  | BHK-0071          | 227 | 506 | F10         | 4         |
| 150  | BHK-0072          | 319 | 381 | F12         | 15        |

| Series 9300 ASME Class 300 Approximate Dimensions - inches |                   |       |       |             |           |
|--|-------------------|-------|-------|-------------|-----------|
| Valve Size Inches  | Handle Kit Number | J     | K     | ISO Pattern | Weight lb |
| 2  | BHK-0070          | 5.84  | 14.00 | F07         | 7         |
| 3  | BHK-0071          | 8.11  | 19.94 | F10         | 9         |
| 4  | BHK-0072          | 11.00 | 15.00 | F12         | 34        |

| Series 9300 ASME Class 300 Approximate Dimensions - mm |                   |     |     |             |           |
|--|-------------------|-----|-----|-------------|-----------|
| Valve Size DN  | Handle Kit Number | J   | K   | ISO Pattern | Weight kg |
| 50   | BHK-0070          | 148 | 356 | F07         | 3         |
| 80   | BHK-0071          | 206 | 506 | F10         | 4         |
| 100  | BHK-0072          | 279 | 381 | F12         | 15        |

**DIMENSIONS**



**Series 9150 Emission-Pak ASME Class 150 Approximate Dimensions - inches**

| Valve Size inches | Handle Kit Number | J     | K     | ISO Pattern | Weight lb |
|-------------------|-------------------|-------|-------|-------------|-----------|
| 2                 | BHK-0070          | 9.00  | 14.00 | F07         | 7         |
| 3                 | BHK-0070          | 9.81  | 14.00 | F07         | 7         |
| 4                 | BHK-0071          | 12.87 | 19.94 | F10         | 9         |
| 6                 | BHK-0072          | 16.69 | 15.00 | F12         | 34        |

**Series 9150 Emission-Pak ASME Class 150 Approximate Dimensions - mm**

| Valve Size DN | Handle Kit Number | J   | K   | ISO Pattern | Weight kg |
|---------------|-------------------|-----|-----|-------------|-----------|
| 50            | BHK-0070          | 228 | 356 | F07         | 3         |
| 80            | BHK-0070          | 249 | 356 | F07         | 3         |
| 100           | BHK-0071          | 327 | 506 | F10         | 4         |
| 150           | BHK-0072          | 424 | 381 | F12         | 15        |

**Series 9300 Emission-Pak ASME Class 300 Approximate Dimensions - inches**

| Valve Size inches | Handle Kit Number | J     | K     | ISO Pattern | Weight lb |
|-------------------|-------------------|-------|-------|-------------|-----------|
| 2                 | BHK-0070          | 9.00  | 14.00 | F07         | 7         |
| 3                 | BHK-0071          | 12.05 | 19.94 | F10         | 9         |
| 4                 | BHK-0072          | 15.12 | 15.00 | F12         | 34        |

**Series 9300 Emission-Pak ASME Class 300 Approximate Dimensions - mm**

| Valve Size DN | Handle Kit Number | J   | K   | ISO Pattern | Weight kg |
|---------------|-------------------|-----|-----|-------------|-----------|
| 50            | BHK-0070          | 228 | 356 | F07         | 3         |
| 80            | BHK-0071          | 306 | 506 | F10         | 4         |
| 100           | BHK-0072          | 384 | 381 | F12         | 15        |

**WARNING:**

As the use of the valve is application specific, a number of factors should be taken into account when selecting a valve for a given application. Therefore, some of the situations in which the valves are used are outside the scope of this manual. If you have any questions concerning the use, application or compatibility of the valve with the intended service, contact Neles for more information.

**HOW TO ORDER**

**EXAMPLE:** A 2" ASME Class 150 short design valve (9150) in Fire-Tite design (3) with raised-face flanges (31), carbon steel body (22), and 316 stainless steel trim (36), with Xtreme seats (XTZ) and molecularly enhanced PTFE stem seals is written: 2" 9150-31-2236XTZ1.

| 1  | 2    | 3 | 4  | 5  | 6  | 7   | 8 |
|----|------|---|----|----|----|-----|---|
| 2" | 9150 | - | 31 | 22 | 36 | XTZ | 1 |

| 1                 | Size   |         |     |          |     |          |
|-------------------|--------|---------|-----|----------|-----|----------|
| 1/2"<br>to<br>24" | 1/2"   | (DN 15) | 4"  | (DN 100) | 14" | (DN 350) |
|                   | 3/4"   | (DN 20) | 6"  | (DN 150) | 16" | (DN 400) |
|                   | 1"     | (DN 25) | 8"  | (DN 200) | 18" | (DN 450) |
|                   | 1-1/2" | (DN 40) | 10" | (DN 250) | 20" | (DN 500) |
|                   | 2"     | (DN 50) | 12" | (DN 300) | 24" | (DN 600) |
|                   | 3"     | (DN 80) |     |          |     |          |

| 4  | End Connection                           | Size Range   |
|----|--|--|
| 11 | Raised Face, Non-Fire-Tite, Non-Trunnion | 1/2" – 8" (DN 15 – 200)  |
| 31 | Raised Face, Fire-Tite, Non-Trunnion     | 1/2" – 8" (DN 15 – 200)  |
| 51 | Raised Face, Non-Fire-Tite, Trunnion     | 8" - 24" (DN200 - 600) Class 150<br>6" - 24" (DN150 - 600) Class 300   |
| 71 | Raised Face, Fire-Tite, Trunnion         | 8" - 24" (DN 200 – 600) Class 150<br>6" – 24" (DN 150 – 600) Class 300 |

| 2    | Valve Series & Style | Size Range               |
|------|----------------------|--------------------------|
| 9150 | Full Bore Class 150  | 1/2" – 24" (DN 15 – 600) |
| 9180 | Full Bore Class 150* | 1/2" – 24" (DN 15 – 600) |
| 9300 | Full Bore Class 300  | 1/2" – 24" (DN 15 – 600) |
| 9380 | Full Bore Class 300* | 1/2" – 24" (DN 15 – 600) |

| 5               | Body Material*         |
|-----------------|------------------------|
| 22 <sup>5</sup> | Carbon Steel (WCB)     |
| 28              | Carbon Steel (LCC)     |
| 35              | Alloy 20 (CN7M)        |
| 36 <sup>5</sup> | Stainless Steel (CF8M) |
| 71 <sup>5</sup> | Monel                  |

\* Metric units on nameplate. Valves larger than 1" (DN 25) are CE marked.  
Includes static grounding.

\* Other materials available upon request

| 3                   | Special Construction                                      |  |
|---------------------|---|--|
| —                   | Standard (no entry)                                       |  |
| C                   | Chlorine  |  |
| DBB                 | Double Block and Bleed                                    |  |
| DT                  | 125 RMS Flange Finish                                     |  |
| O                   | Oxygen  |  |
| Q                   | Cavity Filler (Xtreme w/ XT, PTFE w/ TT)                  |  |
| STG                 | Static Ground (1/2" – 1-1/2" 9000) (Not for Emission-Pak) |  |
| TG                  | Top Ground (1/2" – 1-1/2" 9000) (Not for Emission-Pak)    |  |
| V                   | High Vacuum   |  |
| VC                  | High Vacuum Certified                                     |  |
| Emission-Pak Coding |   |  |
| LA                  | Standard w/o leakoff                                      | 1/2"-6" (DN 15 – 150)<br>9150/9180<br>1/2"-4" (DN 15 – 100)<br>9300/9380 |
| LL                  | Standard w/ leakoff                                       |  |
| LC                  | Chlorine w/o leakoff                                      |  |
| L1                  | Chlorine w/ leakoff                                       |  |
| L2                  | Static Ground w/o leakoff (1/2" – 1-1/2" 9000 ONLY)       |  |
| L3                  | Static Ground w/ leakoff (1/2" – 1-1/2" 9000 ONLY)        |  |
| LV                  | High Vacuum w/o leakoff                                   |  |
| LB                  | High Vacuum w/ leakoff                                    |  |
| LW                  | High Vacuum Certified w/o leakoff                         |  |
| LJ                  | High Vacuum Certified w/ leakoff                          |  |
| LX                  | Oxygen w/o leakoff  |  |
| LG                  | Oxygen w/ leakoff   |  |

| 6               | Ball & Stem Materials* |                            |
|-----------------|------------------------|----------------------------|
| 35              | Alloy 20 (CN7M)        |                            |
| 36 <sup>5</sup> | Stainless Steel (CF8M) |                            |
| 71 <sup>5</sup> | Monel & K Monel        |                            |
| 73              | Hastelloy C            |                            |
| HB <sup>5</sup> | 316 SS & 17-4PH        | Required for seat code LGG |
| 00              | Same as body           | Carbon steel not available |

\* Other materials available upon request

| 7                  | Seat Material*      | Available Sizes          |
|--------------------|---------------------|--------------------------|
| XTZ                | Xtreme              | All                      |
| BTT                | PFA                 | 1/2" – 6" (DN 15 – 150)  |
| LGG <sup>†12</sup> | PEEK                | 1/2" – 4" (DN 15 – 100)  |
| MBT <sup>1</sup>   | Barrier Filled PTFE | 3" – 10" (DN 80 – 250)   |
| TTT                | PTFE                | All                      |
| UUU <sup>1</sup>   | UHMWPE              | 1/2" – 8" (DN 15 – 200)  |
| ZTT                | TFM                 | 1/2" – 10" (DN 15 – 250) |

\* Other materials available upon request

† Requires 17-4PH Stem

1 Non-Fire-Tite only

2 Not a self relieving seat

| 8    | Valve Body Bolting Materials*             |                                      | Valve Gland Bolting Materials              |                                      |
|------|---|--------------------------------------|--|--------------------------------------|
|      | Studs                                     | Nuts                                 | Bolts/Studs                                | Nuts                                 |
| 1    | ASTM A193 Gr. B7                          | ASTM A194 Gr. 2H or 2HB              | ASTM A193 Gr. B8, B8C, B8M or B8T, Class 2 | ASTM A194 Gr. 8B, 8CB, 8MB, 8T8, 8FB |
| 2    | ASTM A193 Gr. B8, B8C, B8M or B8T Class 2 | ASTM A194 Gr. 8B, 8CB, 8MB, 8T8, 8FB | ASTM A193 Gr. B8, B8C, B8M or B8T, Class 2 | ASTM A194 Gr. 8B, 8CB, 8MB, 8T8, 8FB |
| 4**  | K-Monel                                   | K-Monel                              | K-Monel                                    | K-Monel (71)                         |
| 5**4 | ASTM A193 Gr. B7M                         | ASTM A194 Gr. 2HM                    | ASTM A193 Gr. B7M                          | ASTM A194 Gr. 2HM                    |
| H    | Alloy 20                                  | Alloy 20                             | Alloy 20                                   | Alloy 20                             |

\* Other materials available upon request

\*\* Required for compliance to NACE for 2" and larger (if buried or insulated)

4 1-1/2" and smaller NACE compatibility (if buried or insulated)

5 Material meets NACE requirements for sour environments. For valves to be in full compliance with NACE, both the body (sign #5) and trim (sign #6) must meet the NACE requirements.

| 9 | Model Code*  |
|---|--|
| A | 1/2" – 1-1/2" (DN 15 – 40) 9000 (Non-Emission-Pak)<br>14" – 24" (DN 350 – 600) 9000  |
| C | 1/2" – 1-1/2" (DN 15 – 40) 9000 (Emission-Pak)<br>2" – 12" 9150, 9180 (DN 50 - 300) (Non-Emission-Pak)<br>2" – 12" 9300, 9380 (DN 50 - 300) (Non-Emission-Pak)<br>2" – 6" 9150, 9180 (DN 50 - 150) (Emission-Pak)<br>2" – 4" 9300, 9380 (DN 50 - 100) (Emission-Pak) |

\* Model Code not required when ordering

Hastelloy is a registered trademark of Haynes International, Inc.  
 Monel is a registered trademark of Special Materials Corp.  
 Inconel is a registered trademark of Special Materials Corp.  
 PEEK is a registered trademark of Victrex USA Inc.

## STANDARDS AND SPECIFICATIONS

### The Company

ISO 9001 – 2015

Pressure Equipment Directive 2014/68/EU

### Available Standards

|  |   |
|--|---|
| API 598  | American Petroleum Institute - Valve Inspection and testing   |
| API 607  | American Petroleum Institute - Fire Test for Soft Seated Valves   |
| API 608  | Metal Ball Valves Used in On-Off Service that have Buttwelded or Flanged Ends   |
| ASME B16.10  | American National Standard - Face-to-Face and End-to-End Dimensions of Ferrous Valves   |
| ASME B16.5   | American National Standard - Steel Pipe Flanges and Flanged Fittings  |
| ASME B16.34  | American National Standard - Steel Valves - Flanged and Buttwelded End  |
| ASME B31.1   | American National Standard - Power Piping   |
| ASME B31.3   | American National Standard - Chemical Plant and Petroleum Refinery Piping   |
| FCI 70-2   | American National Standard - For Control Valve Seat Leakage   |
| ISO 15848-1  | Industrial Valves - Fugitive Emissions - Measurement, Test & Qualification Procedures   |
| ISO 17292  | Metal Ball Valves for Petroleum, Petrochemical and Allied Industries  |
| ISO 5752   | International Standard for Organization Metal Valves for use in Flanged Piping Systems  |
| ISA 75.02  | Valve Sizing Coefficient Cv, Piping Geometry Factor Fp and Pressure Drop Limitation XT  |
| ISA S75.19   | Hydrostatic Testing of Control Valves   |
| ISO 5211   | Dimensions for Attachment of Actuators/Gear Boxes to Valves (ISO Mounting)  |
| MSS SP-25  | Manufacturers Standardization Society - Standard Marking System for Valves  |
| MSS-SP-55  | Manufacturers Standardization Society - Quality Standards for Steel Castings  |
| MSS-SP-6   | Standard Finishes for Contact Faces of Pipe Flanges and Connecting-End Flanges of Valves and Fittings   |
| MSS-SP-44  | Steel Pipe Line Flanges   |
| MSS-SP-61  | Pressure Testing of Steel Valves  |
| MSS SP-72  | Flanged or Butt and Weld End Ball Valves Having Full or Reduced Bores for General Liquid and Gas Service  |
| MSS SP-96  | Terminology for Valves and Fittings   |
| 2014/68/EU   | European Pressure Equipment Directive (PED)   |
| MSS SP-53-1995   | Quality Standard For Steel Castings and Forgings for Valves, Flanges and Fittings and Other Piping Components-Magnetic Particle Examination Method  |
| MSS SP-93-1987   | Quality Standard For Steel Castings and Forgings for Valves, Flanges and Fittings and Other Piping Components-Liquid Penetrant Method               |
| NACE Standard MR0103   | National Association of Corrosion Engineers-Engineers - Materials Resistant to Sulfide Stress Cracking in Corrosive Petroleum Refining Environments |
| NACE Standard MR0175   | National Association of Corrosion Engineers - Materials For Use In H <sub>2</sub> S- Containing Environments In Oil And Gas Production              |
| Factory Mutual (FM)  | Figure 1052 Gas and Oil Shutoff Valves.   |
| Factory Mutual (FM)  | Figure 1051 Supervisory Cock Valves, Electric Interlocking Fuel Gas and Fuel Oil Cocks.   |
| CSA  | Figure 1057/1056 Gas Shut-Off and Vent Valves.  |
| Factory Mutual (FM)  | Figure 1075 Emergency Shut-Off and Fire-Safe Valves.  |
| CSA  | CSA 3.16.   |
| EN 161/264   | Automatic Shut-Off Valves for Gas Burners and Gas Appliances  |
| Underwriter Laboratory (UL) Categories MHKZ, YQAR, YRBX, YRPV, YSDT. |   |
| Underwriter's Laboratories of Canada (ULC) Categories YSDT7 & YRPV7  |   |

# Neles

Vanha Porvoontie 229, 01380 Vantaa, Finland.  
Tel. +358 10 417 5000.

**neles.com**

B107-1EN - 10/2021