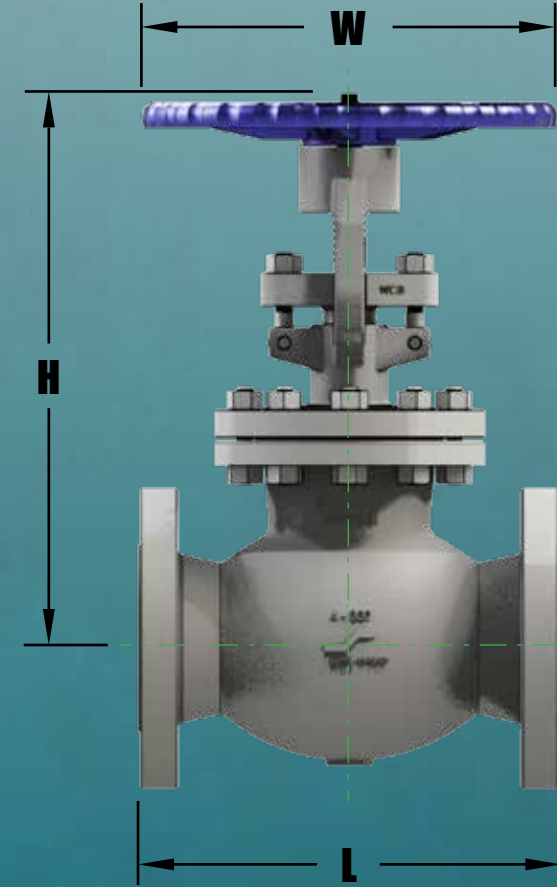
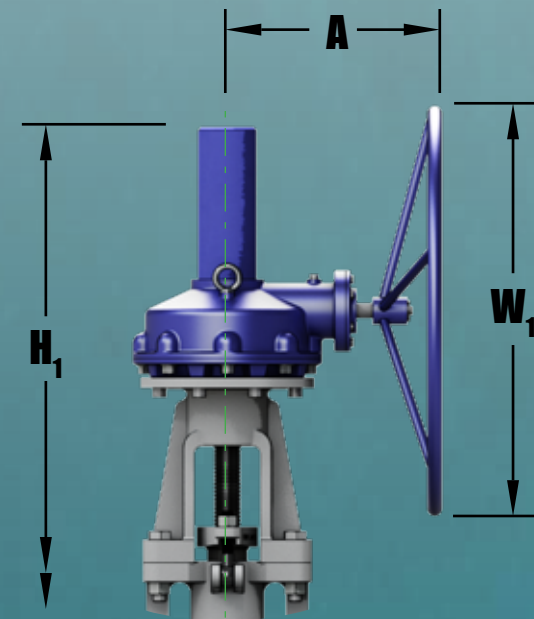
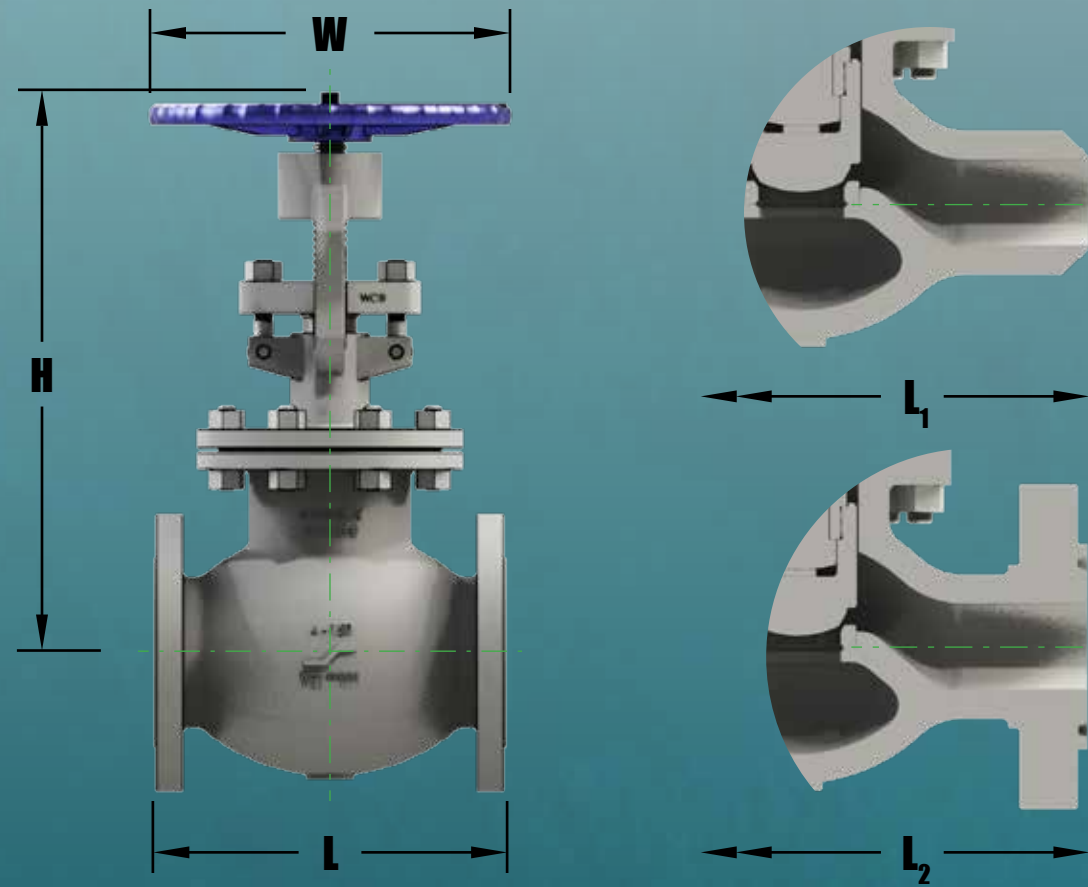


# GLOBE VALVE

## CLASS 150



## CLASS 300

# GLOBE VALVE

Valve Size	Dimensions (inches)								Weight (lbs.)			
	L	L <sub>1</sub>	L <sub>2</sub>	W	W <sub>1</sub>	H <sub>open</sub>	H <sub>1</sub>	A	(RF)	(BW)	(RF+GO)	(BW+GO)
NPS 2	8	8	8 1/2	7 7/8	-	14	-	-	46 1/4	37 1/2	-	-
NPS 3	9 1/2	9 1/2	10	9 7/8	-	16 3/16	-	-	66 1/4	48 1/2	-	-
NPS 4	11 1/2	11 1/2	12	12	-	18 11/16	-	-	57	46	-	-
NPS 6	16	16	16 1/2	15 3/4	12	21 5/8	22 13/16	9 7/16	220 1/2	189 1/2	269	238
NPS 8	19 1/2	19 1/2	20	17 11/16	18 1/8	24 5/8	12 15/16	14 3/16	344	295 1/2	355	306
NPS 10	24 1/2	24 1/2	25	17 11/16	18 1/8	29 1/2	26 5/16	14 3/16	575 1/2	500 1/2	679	604
NPS 12	27 1/2	27 1/2	28	25 3/16	18 1/8	36 5/16	33 7/8	14 3/16	679	600	981	902

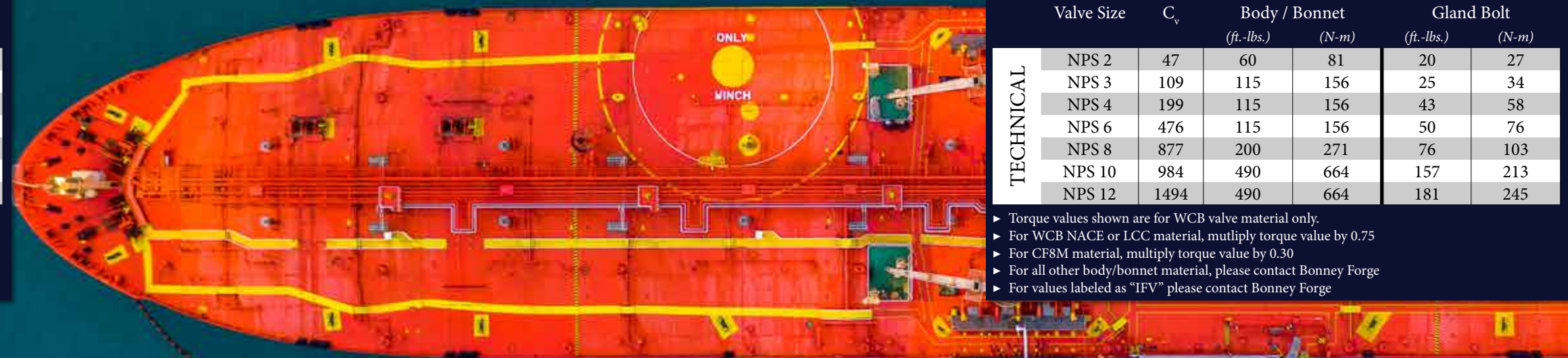
Valve Size	Dimensions (inches)								Weight (lbs.)			
	L	L <sub>1</sub>	L <sub>2</sub>	W	W <sub>1</sub>	H <sub>open</sub>	H <sub>1</sub>	A	(RF)	(BW)	(RF+GO)	(BW+GO)
NPS 2	10 1/2	10 1/2	11 1/8	7 7/8	-	13 11/16	-	-	68	55	-	-
NPS 3	12 1/2	12 1/2	13 1/8	11 13/16	-	17 11/16	-	-	121	101 1/2	-	-
NPS 4	14	14	14 5/8	13 3/4	-	20 1/4	-	-	185	167 1/2	-	-
NPS 6	17 1/2	17 1/2	18 1/8	17 11/16	12	24 5/16	25 1/2	9 7/16	331	262	379	311
NPS 8	21	21	21 5/8	19 11/16	18 1/8	29 1/8	30 5/16	14 3/16	496	397	496	463
NPS 10	24 1/2	24 1/2	25 1/8	24	24	41 5/16	42 7/16	16 3/16	849	725	1,323	1,177
NPS 12	28	28	28 5/8	25 3/16	24	43 11/16	43 5/16	16 3/16	1,348	1,142	1,500	1,314

TECHNICAL	Valve Size	C <sub>v</sub>	Torque			
			Body / Bonnet		Gland Bolt	
			(ft.-lbs.)	(N-m)	(ft.-lbs.)	(N-m)
	NPS 2	47	60	81	20	27
	NPS 3	109	60	81	25	34
	NPS 4	199	115	156	43	58
	NPS 6	476	115	156	46	62
	NPS 8	877	115	156	50	68
	NPS 10	984	320	434	67	91
	NPS 12	1494	320	434	76	103

- ▶ Torque values shown are for WCB valve material only.
- ▶ For WCB NACE or LCC material, multiply torque value by 0.75
- ▶ For CF8M material, multiply torque value by 0.30
- ▶ For all other body/bonnet material, please contact Bonney Forge
- ▶ For values labeled as "IFV" please contact Bonney Forge

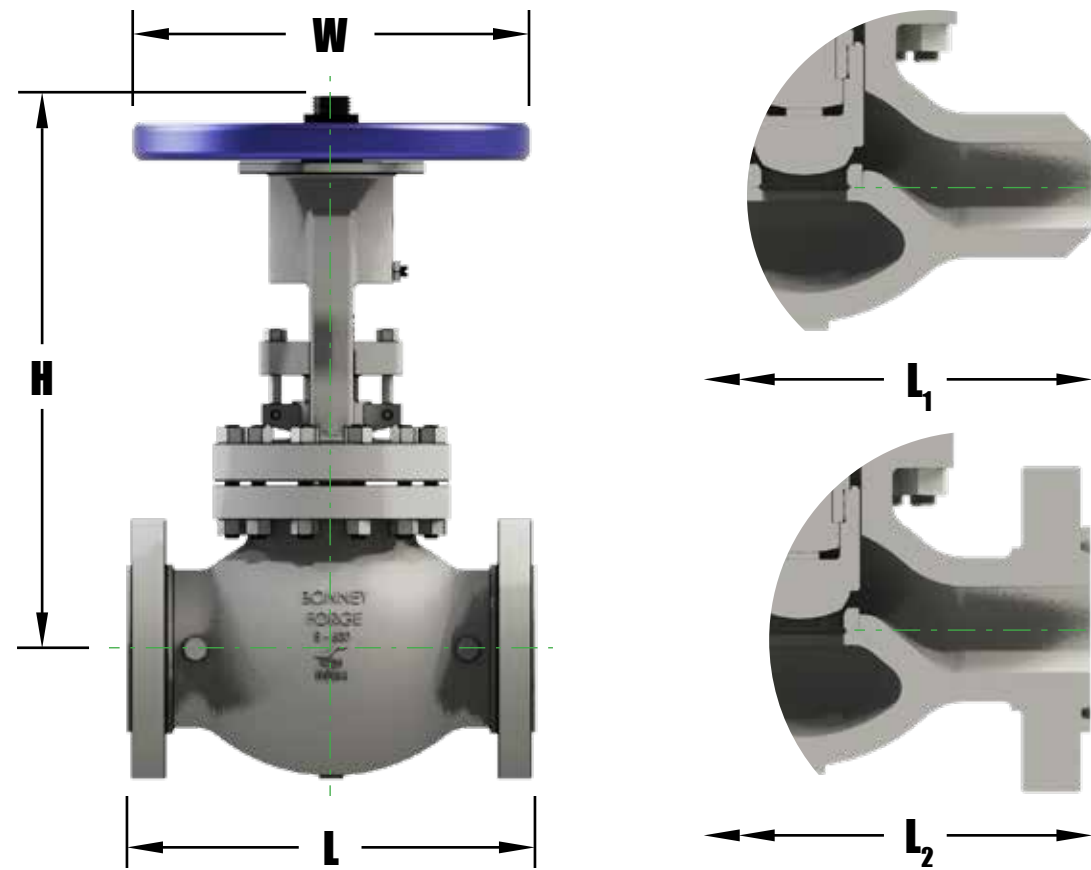
TECHNICAL	Valve Size	C <sub>v</sub>	Torque			
			Body / Bonnet		Gland Bolt	
			(ft.-lbs.)	(N-m)	(ft.-lbs.)	(N-m)
	NPS 2	47	60	81	20	27
	NPS 3	109	115	156	25	34
	NPS 4	199	115	156	43	58
	NPS 6	476	115	156	50	76
	NPS 8	877	200	271	76	103
	NPS 10	984	490	664	157	213
	NPS 12	1494	490	664	181	245

- ▶ Torque values shown are for WCB valve material only.
- ▶ For WCB NACE or LCC material, multiply torque value by 0.75
- ▶ For CF8M material, multiply torque value by 0.30
- ▶ For all other body/bonnet material, please contact Bonney Forge
- ▶ For values labeled as "IFV" please contact Bonney Forge



# GLOBE VALVE

## CLASS 600



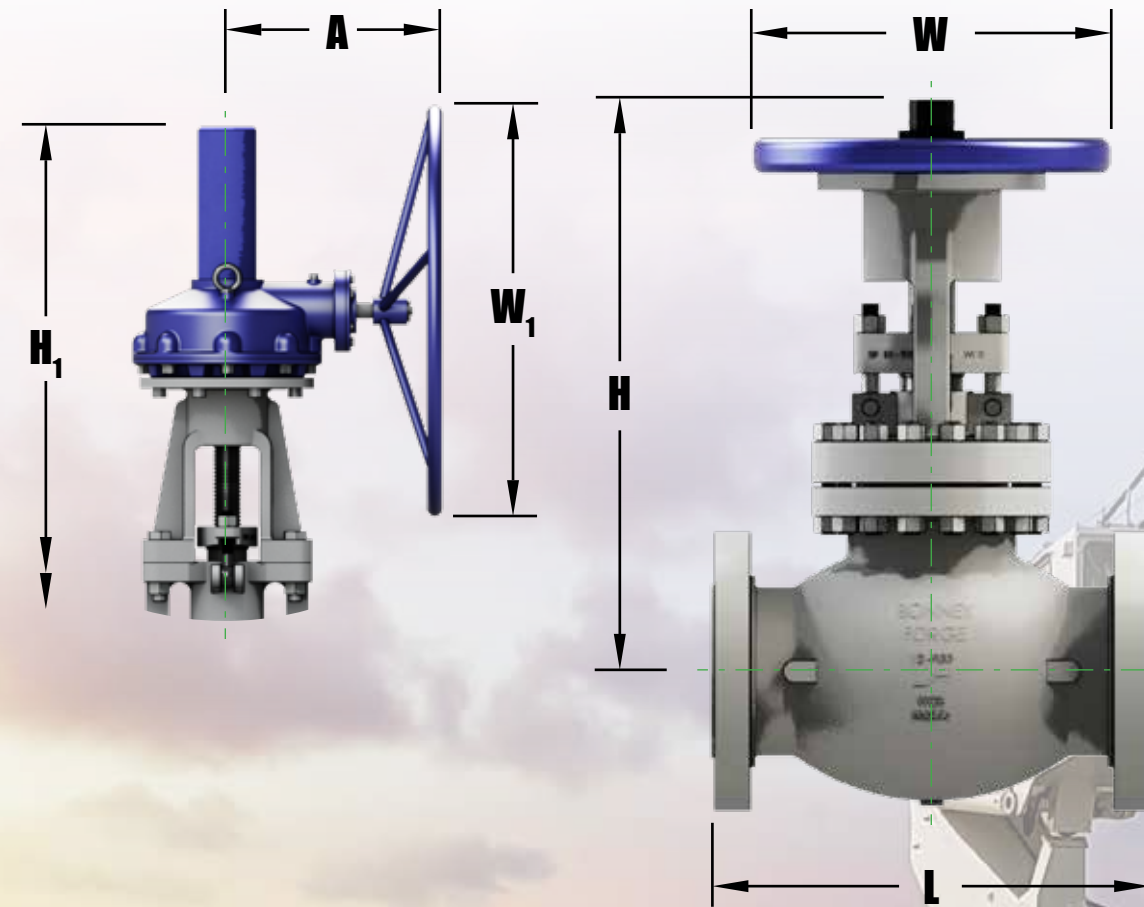
Valve Size	Dimensions (inches)								Weight (lbs.)			
	L	L <sub>1</sub>	L <sub>2</sub>	W	W <sub>1</sub>	H <sub>open</sub>	H <sub>1</sub>	A	(RF)	(BW)	(RF+GO)	(BW+GO)
NPS 2	11 1/2	11 1/2	11 5/8	9 7/8	-	17 13/16	-	-	99	84	-	-
NPS 3	14	14	14 3/8	13 3/4	-	22 3/16	-	-	172	141	-	-
NPS 4	17	17	17 1/8	15 3/4	12	25 15/16	27 1/16	9 7/16	298	234	346	282
NPS 6	22	22	22 1/8	22 1/16	18 1/8	31	34 1/4	9 7/16	721	575	919	794
NPS 8	26	26	26 1/8	25 3/16	24	40 3/16	37	16 3/8	957	IFV	1,195	1,012
NPS 10	31	31	31 1/8	28 3/8	24	46 1/4	39 3/4	16 3/8	1,305	IFV	1,543	1,239
NPS 12	33	33	33 1/8	28 3/8	31 1/2	48 7/16	57 3/8	19 1/8	1,984	1,753	2,624	2,392

	Valve Size	C <sub>v</sub>	Torque			
			Body / Bonnet		Gland Bolt	
			(ft.-lbs.)	(N-m)	(ft.-lbs.)	(N-m)
TECHNICAL	NPS 2	47	115	156	22	30
	NPS 3	109	115	156	43	58
	NPS 4	199	200	271	46	62
	NPS 6	476	200	271	84	114
	NPS 8	877	490	664	171	232
	NPS 10	931	1,050	1,423	324	439
	NPS 12	1138	1,050	1,423	342	464

- ▶ Torque values shown are for WCB valve material only.
- ▶ For WCB NACE or LCC material, multiply torque value by 0.75
- ▶ For CF8M material, multiply torque value by 0.30
- ▶ For all other body/bonnet material, please contact Bonney Forge
- ▶ For values labeled as "IFV" please contact Bonney Forge

## CLASS 900

# GLOBE VALVE



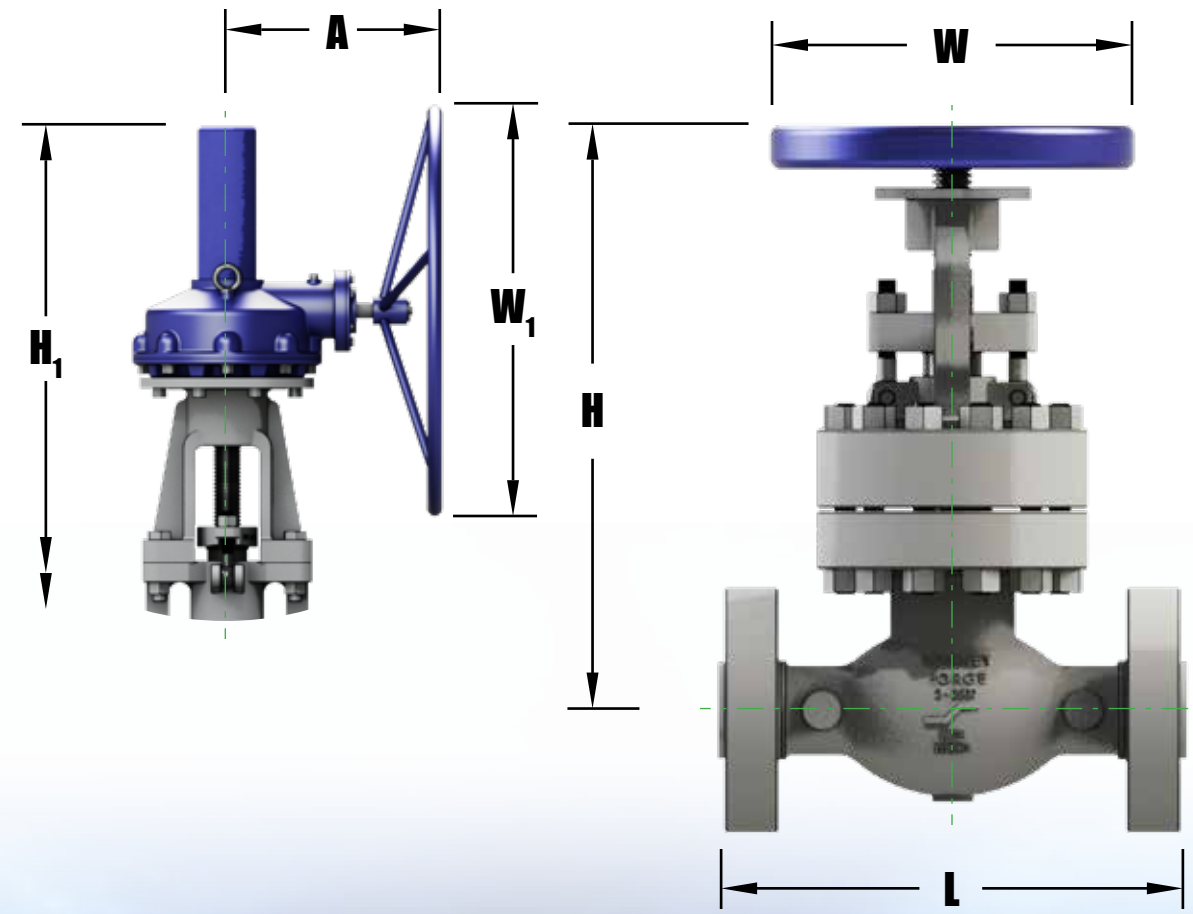
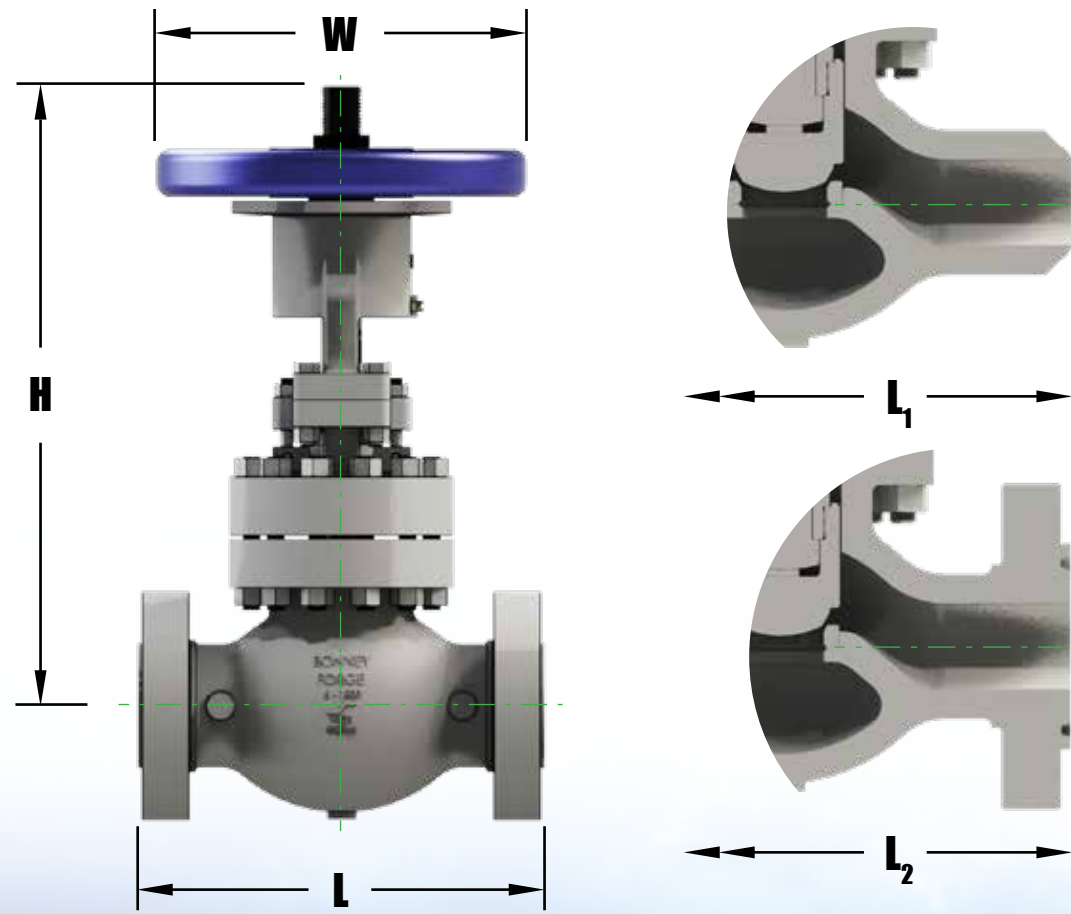
Valve Size	Dimensions (inches)								Weight (lbs.)			
	L	L <sub>1</sub>	L <sub>2</sub>	W	W <sub>1</sub>	H <sub>open</sub>	H <sub>1</sub>	A	(RF)	(BW)	(RF+GO)	(BW+GO)
NPS 2	IFV	IFV	IFV	IFV	-	IFV	-	-	IFV	IFV	-	-
NPS 3	15	15	15 1/8	15 3/4	-	23 1/4	-	-	250	IFV	-	-
NPS 4	18	18	18 1/8	17 11/16	-	28 3/8	-	-	405	IFV	-	-
NPS 6	24	24	24 1/8	23 3/8	24	37 3/8	45 1/16	20 1/4	860	IFV	1,006	IFV
NPS 8	29	29	29 1/8	25 3/16	31 1/2	43 5/16	52 3/16	24 7/16	1,488	IFV	1,858	IFV
NPS 10	IFV	IFV	IFV	IFV	IFV	IFV	IFV	IFV	IFV	IFV	IFV	IFV
NPS 12	38	38	38 1/8	IFV	31 1/2	IFV	63 3/8	28 1/8	IFV	IFV	4,727	IFV

	Valve Size	C <sub>v</sub>	Torque			
			Body / Bonnet		Gland Bolt	
			(ft.-lbs.)	(N-m)	(ft.-lbs.)	(N-m)
TECHNICAL	NPS 2	IFV	IFV	IFV	IFV	IFV
	NPS 3	92	200	271	67	91
	NPS 4	171	200	271	80	109
	NPS 6	318	490	664	157	213
	NPS 8	561	1,050	1,423	228	309
	NPS 10	IFV	IFV	IFV	IFV	IFV
	NPS 12	IFV	IFV	IFV	IFV	IFV

- ▶ Torque values shown are for WCB valve material only.
- ▶ For WCB NACE or LCC material, multiply torque value by 0.75
- ▶ For CF8M material, multiply torque value by 0.30
- ▶ For all other body/bonnet material, please contact Bonney Forge
- ▶ For values labeled as "IFV" please contact Bonney Forge

# GLOBE VALVE

## CLASS 1500



## CLASS 2500

# GLOBE VALVE

Valve Size	Dimensions (inches)								Weight (lbs.)			
	L	L <sub>1</sub>	L <sub>2</sub>	W	W <sub>1</sub>	H <sub>open</sub>	H <sub>1</sub>	A	(RF)	(BW)	(RF+GO)	(BW+GO)
NPS 2	14 1/2	14 1/2	14 5/8	13 3/4	-	21 1/2	-	-	210	-	-	-
NPS 3	18 1/2	18 1/2	18 5/8	17 11/16	-	28 3/8	-	-	330	-	-	-
NPS 4	21 1/2	21 1/2	21 5/8	19 11/16	-	29 11/16	-	-	530	-	-	-
NPS 6	27 3/4	27 3/4	28	25 3/16	-	43 5/16	-	-	1,389	-	-	-
NPS 8	32 3/4	32 3/4	33 1/8	28 3/8	31 1/2	51 1/16	58	25 3/4	2,579	IFV	3,005	IFV
NPS 10	IFV	IFV	IFV	IFV	IFV	IFV	IFV	IFV	IFV	IFV	IFV	IFV
NPS 12	IFV	IFV	IFV	IFV	IFV	IFV	IFV	IFV	IFV	IFV	IFV	IFV

Valve Size	Dimensions (inches)								Weight (lbs.)			
	L	L <sub>1</sub>	L <sub>2</sub>	W	W <sub>1</sub>	H <sub>open</sub>	H <sub>1</sub>	A	(RF)	(BW)	(RF+GO)	(BW+GO)
NPS 2	17 3/4	17 3/4	17 7/8	13 3/4	-	25 3/8	-	-	329	-	-	-
NPS 3	22 3/4	22 3/4	23	17 11/16	-	26 13/16	-	-	532	-	-	-
NPS 4	26 1/2	26 1/2	26 7/8	19 11/16	-	30 7/8	-	-	800	-	-	-
NPS 6	IFV	IFV	IFV	IFV	IFV	IFV	IFV	IFV	IFV	IFV	IFV	IFV
NPS 8	IFV	IFV	IFV	IFV	IFV	IFV	IFV	IFV	IFV	IFV	IFV	IFV
NPS 10	IFV	IFV	IFV	IFV	IFV	IFV	IFV	IFV	IFV	IFV	IFV	IFV
NPS 12	IFV	IFV	IFV	IFV	IFV	IFV	IFV	IFV	IFV	IFV	IFV	IFV

TECHNICAL	Valve Size	C <sub>v</sub>	Torque			
			Body / Bonnet		Gland Bolt	
			(ft.-lbs.)	(N-m)	(ft.-lbs.)	(N-m)
	NPS 2	33	320	434	43	59
	NPS 3	92	320	434	67	91
	NPS 4	163	490	664	80	109
	NPS 6	248	1,050	1,423	216	293
	NPS 8	435	2,210	2,996	359	487
	NPS 10	IFV	IFV	IFV	704	955
	NPS 12	IFV	IFV	IFV	IFV	IFV

- ▶ Torque values shown are for WCB valve material only.
- ▶ For WCB NACE or LCC material, multiply torque value by 0.75
- ▶ For CF8M material, multiply torque value by 0.30
- ▶ For all other body/bonnet material, please contact Bonney Forge
- ▶ For values labeled as "IFV" please contact Bonney Forge

TECHNICAL	Valve Size	C <sub>v</sub>	Torque			
			Body / Bonnet		Gland Bolt	
			(ft.-lbs.)	(N-m)	(ft.-lbs.)	(N-m)
	NPS 2	IFV	320	434	80	109
	NPS 3	IFV	725	983	91	123
	NPS 4	IFV	1,050	1,423	145	197
	NPS 6	IFV	IFV	IFV	IFV	IFV
	NPS 8	IFV	IFV	IFV	IFV	IFV
	NPS 10	IFV	IFV	IFV	IFV	IFV
	NPS 12	IFV	IFV	IFV	IFV	IFV

- ▶ Torque values shown are for WCB valve material only.
- ▶ For WCB NACE or LCC material, multiply torque value by 0.75
- ▶ For CF8M material, multiply torque value by 0.30
- ▶ For all other body/bonnet material, please contact Bonney Forge
- ▶ For values labeled as "IFV" please contact Bonney Forge

