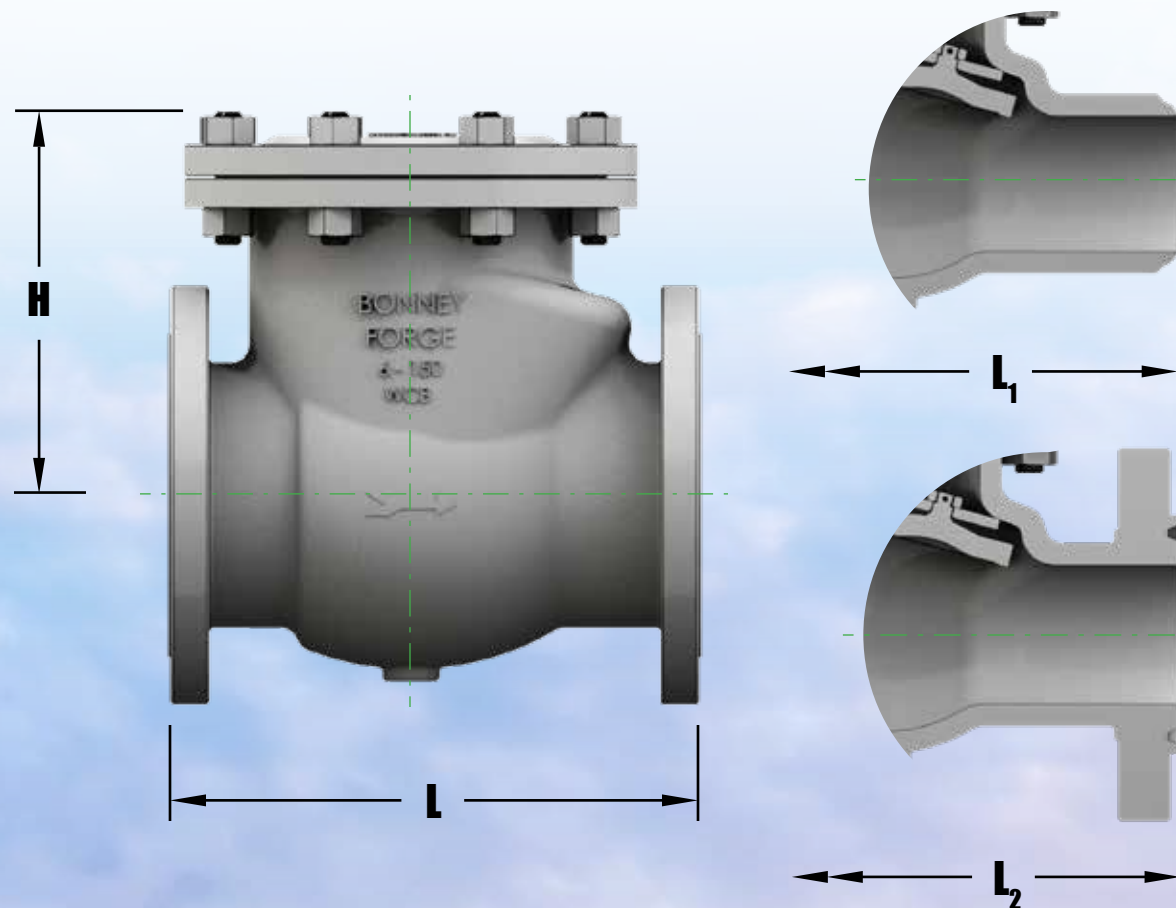


CHECK VALVE

CLASS 150



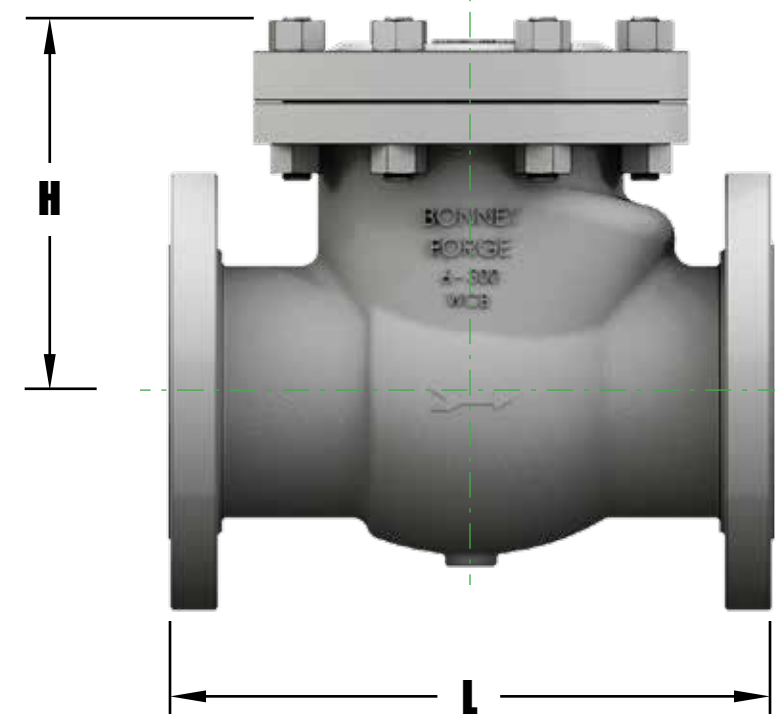
Valve Size	Dimensions (inches)				Weight (lbs.)	
	L	L ₁	L ₂	H	(RF)	(BW)
NPS 2	8	8	8 ½	6 5/16	42	33
NPS 3	9 ½	9 ½	10	7 ¾	62	51
NPS 4	11 ½	11 ½	12	8 9/16	106	95.5
NPS 6	14	14	14 ½	12 ¾	174	148
NPS 8	19 ½	19 ½	20	14 ¾	287	260
NPS 10	24 ½	24 ½	25	17 ½	440	357
NPS 12	27 ½	27 ½	28	20 1/16	661	520
NPS 14	31	31	31 ½	20 15/16	994	710
NPS 16	34	34	34 ½	22 15/16	1,226	1,034
NPS 18	38 ½	38 ½	39	27 9/16	1,729	1,471
NPS 20	38 ½	38 ½	39	29 15/16	1,841	1,581
NPS 24	51	51	51 ½	33 7/16	3,483	3,023

Valve Size	C _v	Torque	
		Body / Bonnet (ft.-lbs.)	(N-m)
NPS 2	122	60	81
NPS 3	283	60	81
NPS 4	518	60	81
NPS 6	1134	200	271
NPS 8	2287	200	271
NPS 10	3573	200	271
NPS 12	5340	490	664
NPS 14	6510	320	434
NPS 16	8624	414	561
NPS 18	11486	490	664
NPS 20	14303	1,050	1,423
NPS 24	20866	1,282	1,738

- ▶ Torque values shown are for WCB valve material only.
- ▶ For WCB NACE or LCC material, multiply torque value by 0.75
- ▶ For CF8M material, multiply torque value by 0.30
- ▶ For all other body/bonnet material, please contact Bonney Forge

CLASS 300

CHECK VALVE



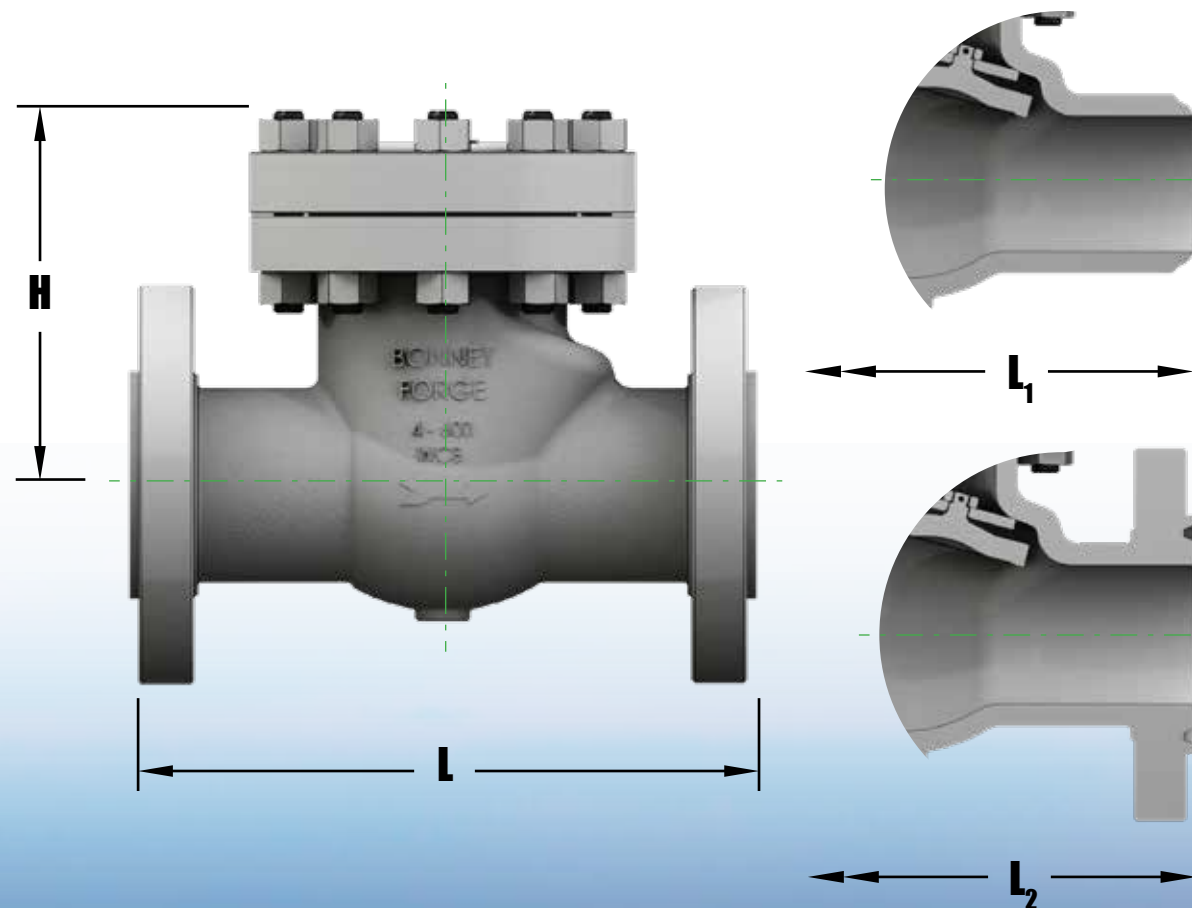
Valve Size	Dimensions (inches)				Weight (lbs.)	
	L	L ₁	L ₂	H	(RF)	(BW)
NPS 2	10 ½	10 ½	11 ¼	7 11/16	68	86
NPS 3	12 ½	12 ½	13 ¼	8 7/8	99	81 ½
NPS 4	14	14	14 5/8	10 5/8	150	112 ½
NPS 6	17 ½	17 ½	18 ¼	13	299	242 ½
NPS 8	21	21	21 5/8	15 9/16	462	383 ½
NPS 10	24 ½	24 ½	25 ¼	18 5/16	693	447 ½
NPS 12	28	28	28 5/8	19	990	846 ½
NPS 14	33	33	33 5/8	23	1,499	1,235
NPS 16	34	34	34 5/8	24 3/16	1,852	1,499
NPS 18	38 ½	38 ½	39 ¼	23 ¾	2,260	1,826
NPS 20	40	40	40 ¾	24 3/16	2,910	2,359
NPS 24	IFV	IFV	IFV	IFV	IFV	IFV

Valve Size	C _v	Torque	
		Body / Bonnet (ft.-lbs.)	(N-m)
NPS 2	122	60	81
NPS 3	283	115	156
NPS 4	518	115	156
NPS 6	1134	200	271
NPS 8	2287	200	271
NPS 10	3573	200	271
NPS 12	5340	490	664
NPS 14	6510	IFV	IFV
NPS 16	8624	1,050	1,423
NPS 18	11155	IFV	IFV
NPS 20	13934	IFV	IFV
NPS 24	20419	IFV	IFV

- ▶ Torque values shown are for WCB valve material only.
- ▶ For WCB NACE or LCC material, multiply torque value by 0.75
- ▶ For CF8M material, multiply torque value by 0.30
- ▶ For all other body/bonnet material, please contact Bonney Forge
- ▶ For values labeled as "IFV" please contact Bonney Forge

CHECK VALVE

CLASS 600



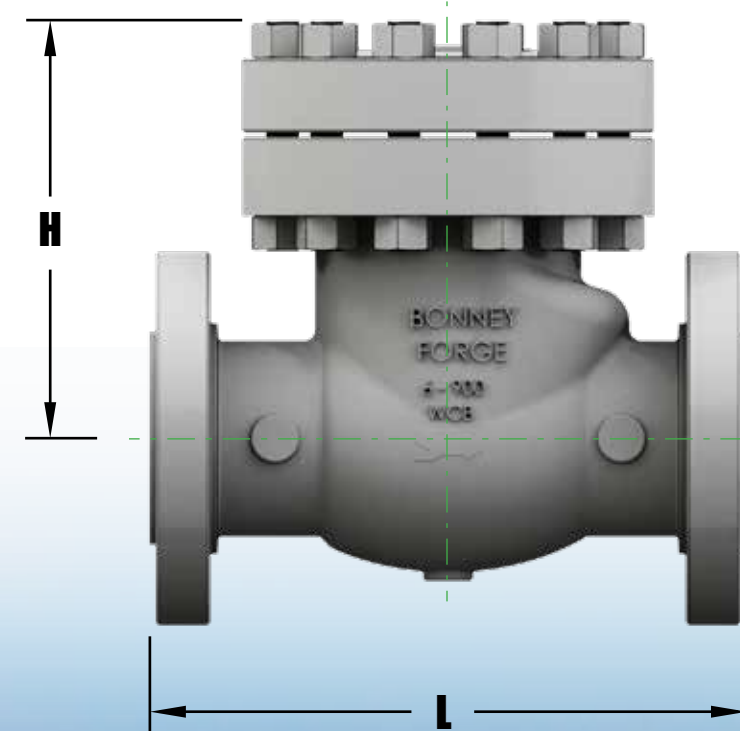
Valve Size	Dimensions (inches)				Weight (lbs.)	
	L	L ₁	L ₂	H	(RF)	(BW)
NPS 2	11 ½	11 ½	11 ⅝	7 ⅞	71	53
NPS 3	14	14	14 ⅞	11 ¼	132	108
NPS 4	17	17	17 ⅞	12 ¾	243	181
NPS 6	22	22	22 ⅞	14 ¾	487	401
NPS 8	26	26	26 ⅞	21	763	642
NPS 10	31	31	31 ⅞	23	1,385	1,098
NPS 12	33	33	33 ⅞	24	1,755	1,523
NPS 14	35	35	35 ⅞	22 ½	2,081	1,704
NPS 16	39	39	39 ⅞	26	2,690	2,238
NPS 18	43	43	43 ⅞	32	3,836	IFV
NPS 20	47	47	47 ¼	34 ½	4,846	IFV
NPS 24	55	55	55 ⅞	39	6,861	IFV

	Valve Size	C _v	Torque	
			Body / Bonnet (ft.-lbs.)	(N-m)
TECHNICAL	NPS 2	122	115	156
	NPS 3	283	115	156
	NPS 4	518	200	271
	NPS 6	1134	490	664
	NPS 8	2287	725	983
	NPS 10	3573	725	983
	NPS 12	5340	725	983
	NPS 14	6146	1,800	2,440
	NPS 16	8083	1,800	2,440
	NPS 18	10503	2,210	2,996
	NPS 20	12936	2,210	2,996
	NPS 24	18762	2,625	3,560

- ▶ Torque values shown are for WCB valve material only.
- ▶ For WCB NACE or LCC material, multiply torque value by 0.75
- ▶ For CF8M material, multiply torque value by 0.30
- ▶ For all other body/bonnet material, please contact Bonney Forge

CLASS 900

CHECK VALVE



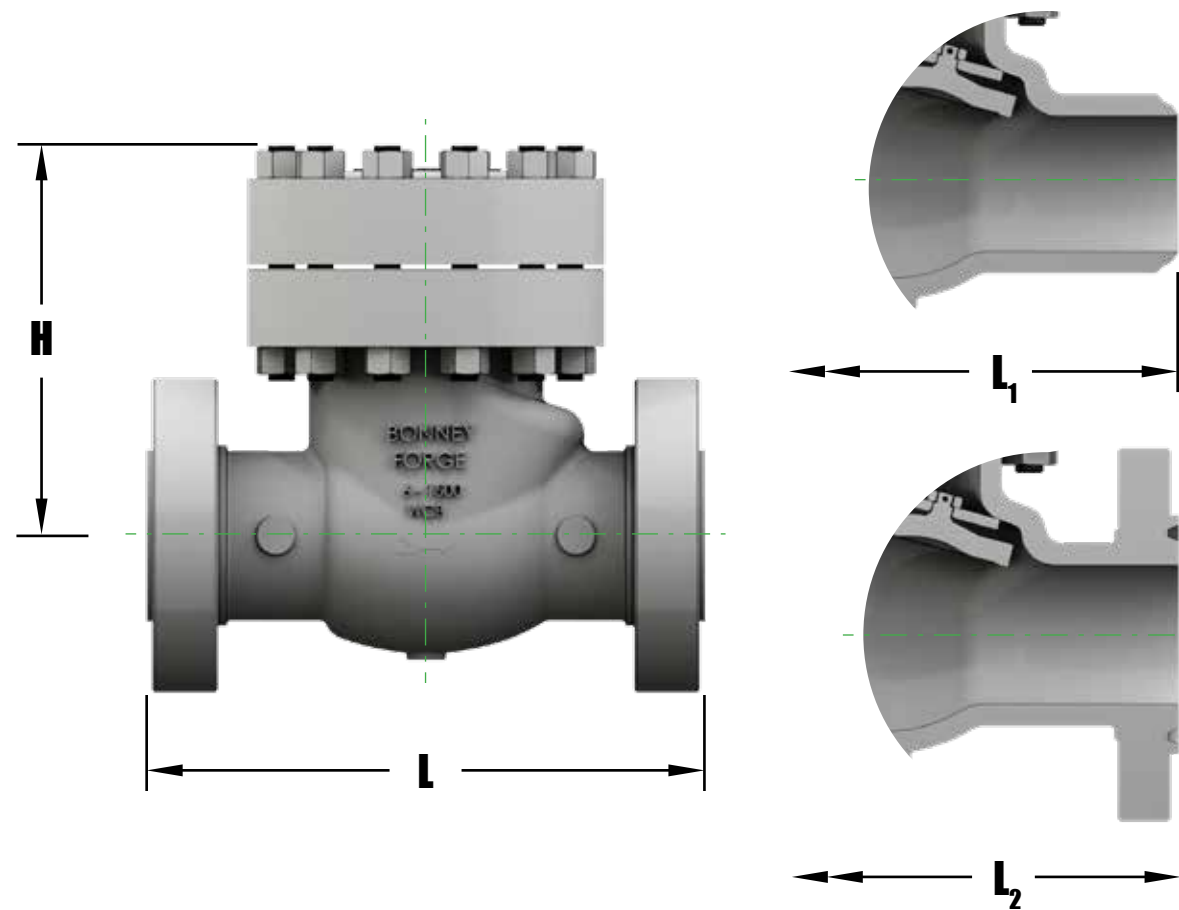
Valve Size	Dimensions (inches)				Weight (lbs.)	
	L	L ₁	L ₂	H	(RF)	(BW)
NPS 2	IFV	IFV	IFV	IFV	IFV	IFV
NPS 3	15	15	15 ⅞	9 ¾	205	IFV
NPS 4	18	18	18 ⅞	11 ¾	325	IFV
NPS 6	24	24	24 ⅞	18 ¾	772	IFV
NPS 8	29	29	29 ⅞	21 ¾	1,257	IFV
NPS 10	33	33	33 ⅞	22	1,698	IFV
NPS 12	38	38	38 ⅞	26 ¾	2,447	IFV

	Valve Size	C _v	Torque	
			Body / Bonnet (ft.-lbs.)	(N-m)
TECHNICAL	NPS 2	IFV	200	271
	NPS 3	260	320	434
	NPS 4	492	490	664
	NPS 6	1055	1,350	1,830
	NPS 8	2020	1,350	1,830
	NPS 10	IFV	2,210	2,996
	NPS 12	IFV	1,350	1,830

- ▶ Torque values shown are for WCB valve material only.
- ▶ For WCB NACE or LCC material, multiply torque value by 0.75
- ▶ For CF8M material, multiply torque value by 0.30
- ▶ For all other body/bonnet material, please contact Bonney Forge

CHECK VALVE

CLASS 1500



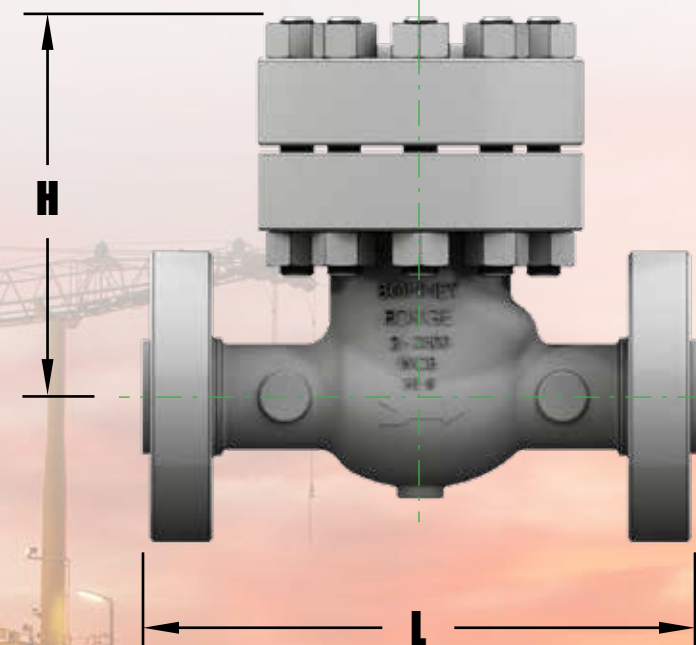
Valve Size	Dimensions (inches)				Weight (lbs.)	
	L	L ₁	L ₂	H	(RF)	(BW)
NPS 2	14 ½	14 ½	14 ⅝	12 ⅞	170	IFV
NPS 3	18 ½	18 ½	18 ⅝	11 ¾	295	IFV
NPS 4	21 ½	21 ½	21 ⅝	15 ¾	455	IFV
NPS 6	27 ¾	27 ¾	28	21 ¼	1,169	IFV
NPS 8	32 ¾	32 ¾	33 ⅞	25 ¾	2,205	IFV
NPS 10	39	39	39 ⅜	27	2,808	IFV
NPS 12	44 ½	44 ½	45 ⅞	31	4,839	IFV

TECHNICAL	Valve Size	C _v	Torque	
			Body / Bonnet (ft.-lbs.)	(N-m)
	NPS 2	109	200	271
	NPS 3	252	320	434
	NPS 4	485	490	664
	NPS 6	1005	1,350	1,830
	NPS 8	IFV	1,350	1,830
	NPS 10	IFV	2,625	3,560
	NPS 12	IFV	2,781	3,770

- ▶ Torque values shown are for WCB valve material only.
- ▶ For WCB NACE or LCC material, multiply torque value by 0.75
- ▶ For CF8M material, multiply torque value by 0.30
- ▶ For all other body/bonnet material, please contact Bonney Forge

CLASS 2500

CHECK VALVE



Valve Size	Dimensions (inches)				Weight (lbs.)	
	L	L ₁	L ₂	H	(RF)	(BW)
NPS 2	17 ¾	17 ¾	17 ⅞	12 ⅞	293	IFV
NPS 3	22 ¾	22 ¾	23	13 ⅞	525	IFV
NPS 4	26 ½	26 ½	26 ⅞	16 ⅞	851	IFV
NPS 6	36	36	36 ½	22 ½	2,138	IFV
NPS 8	IFV	IFV	IFV	IFV	IFV	IFV
NPS 10	IFV	IFV	IFV	IFV	IFV	IFV
NPS 12	IFV	IFV	IFV	IFV	IFV	IFV

TECHNICAL	Valve Size	C _v	Torque	
			Body / Bonnet (ft.-lbs.)	(N-m)
	NPS 2	IFV	725	983
	NPS 3	IFV	725	983
	NPS 4	IFV	1,350	1,830
	NPS 6	IFV	2,625	3,560
	NPS 8	IFV	IFV	IFV
	NPS 10	IFV	IFV	IFV
	NPS 12	IFV	IFV	IFV

- ▶ Torque values shown are for WCB valve material only.
- ▶ For WCB NACE or LCC material, multiply torque value by 0.75
- ▶ For CF8M material, multiply torque value by 0.30
- ▶ For all other body/bonnet material, please contact Bonney Forge