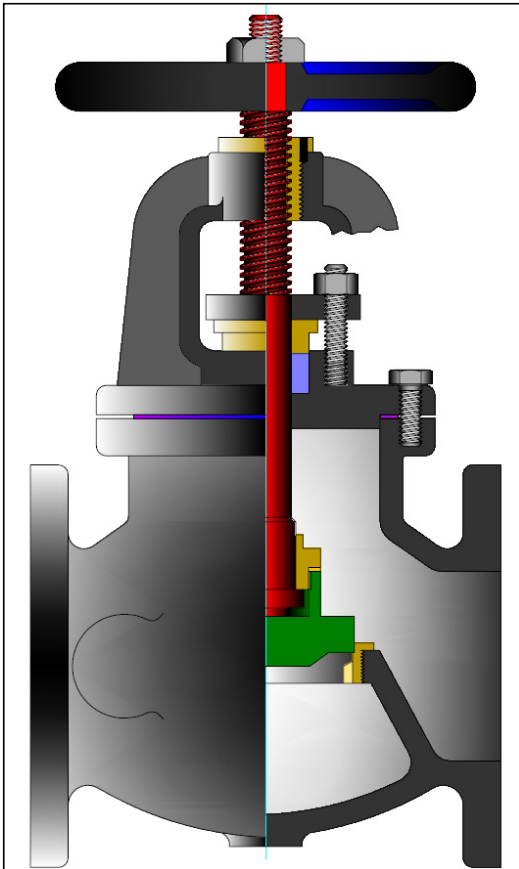
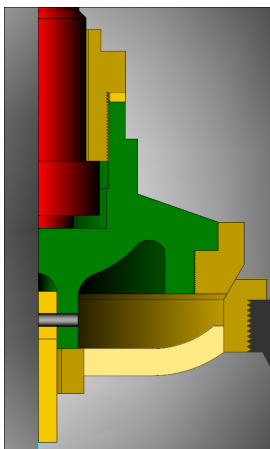


# MSS SP-85 GLOBE VALVE

BOLTED BONNET, FLANGED ENDS  
 2 - 12" (50 - 300 mm) CLASSES 125  
 CAST IRON



Class	Trim	Fig. No.
125	Bronze	241



Disc design for valve sizes 5" to 12"

## STANDARD MATERIALS

PART		MATERIALS
Body		A126-B
Bonnet		A126-B
Disc	2 - 4"	B62
	5 - 12"	A126-B
Disc Nut		B62
Body Seat Ring		B62
Disc Seat Ring (1)		B62
Stem		B16
Stem Bushing		B62
Stem Bushing Set Screw		A307-A
Gland Flange		A536
Gland Flange Bolt		A307-A
Gland Flange Nut		A563-A
Gland		B62
Packing		Non-Asbestos
Disc Nut Washer		B16
Gasket		Non-Asbestos
Hand Wheel		A126-B
Hand Wheel Nut		A563-A
Taper Pin (1)		Steel
Guide Pin (1)		B16
Body / Bonnet Stud		A307-A
Body / Bonnet Nut		A563-A

(1) For valve sizes 5" to 12"

## Design Specifications

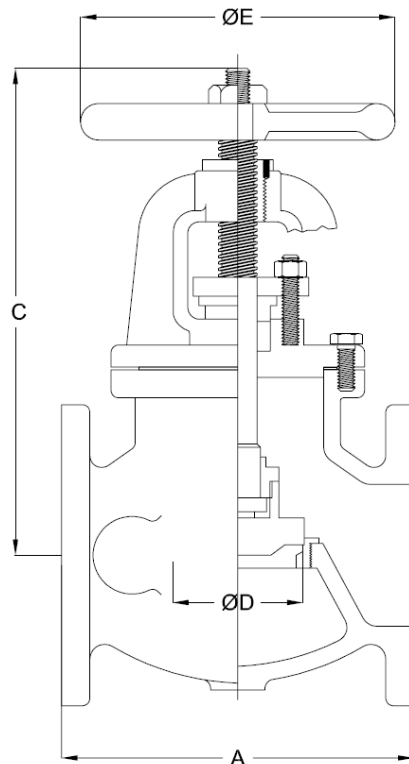
Item	Applicable Specification
Wall thickness	ASME B16.1
Pressure - temperature ratings	MSS SP-85
General valve design	MSS SP-85 Type I
End to End dimensions	ASME B16.10
Flange design	ASME B16.1
Materials	ASTM

## DESIGN FEATURES:

- Seat faces lapped for smooth finish and superior sealing.
- Swivel disc for optimal seating and longer seat life.
- Stems are rotating / rising design.
- Each valve is shell and seat pressure tested per industry standard MSS SP-85.
- Gland is two piece gland / gland flange design for optimal alignment and uniform packing compression.

## GLOBE VALVE DIMENSIONS (CLASS 125)

SIZE	FIG 241					
	A	C	D	E	WT	CV
in						
mm						
2	8.00	11.9	2.00	7.0	36	45
50	203	303	51	178	16	
2½	8.50	12.8	2.50	7.0	49	75
65	216	326	64	178	22	
3	9.50	13.6	3.00	8.0	57	110
80	241	346	76	203	26	
4	11.50	14.6	4.00	10.0	95	200
100	292	370	102	254	43	
5	13.00	17.7	5.00	12.0	139	320
125	330	450	127	305	63	
6	14.00	19.7	6.00	12.0	183	475
150	356	500	152	305	83	
8	19.50	22.7	8.00	14.0	378	875
200	495	576	203	356	172	
10	24.50	27.0	10.00	16.0	523	1370
250	622	686	254	406	237	
12	27.50	29.8	12.00	18.0	700	2050
300	699	757	305	457	318	



**C** = Center to top open

**WT** = Weight

**C<sub>v</sub>** = Flow Coefficient