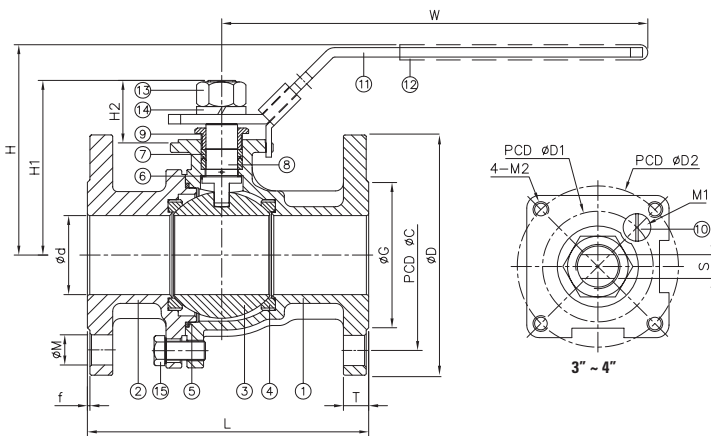
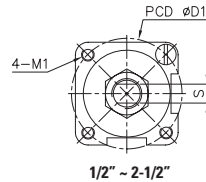


SERIES: B203FM - B203FC - 300# 2-PC FLANGED END BALL VALVE Stainless / Carbon Steel (1/2" - 4")

DESIGN FEATURES:

- Full port, 1/2"-4" (DN15-DN100)
- **W.P. : CLASS 300**
- W.T. : -20°C~200°C (-4°F~392°F)
- Investment casting
- Blow-out proof stem
- Silicone Free
- Anti-static device (option)
- Locking device
- **Mounting pad ISO 5211**
- Flange dimension: ASME B16.5
- Face to face: ASME B16.10



ITEM	PARTS	MATERIAL	
		B203FMMTXXX	B203FCMTXXX
1	BODY	ASTM A351-CF8M	ASTM A216-WCB
2	CAP		
3	BALL	ASTM A351-CF8M	
4	SEAT	TFM 1600	
5	SEAL	PTFE	
6	THRUST WASHER		
7	PACKING	ASTM A276-316	
8	STEM		
9	GLAND NUT	AISI 304	
10	STOP PIN		
11	HANDLE	STAINLESS STEEL	
12	HANDLE SLEEVE	PVC	
13	STEM NUT	AISI 304	
14	SPRING WASHER		
15	BOLT		

DN	d	G	C	D	L	H	H1	H2	W	T	f	S	D1	D2	M	M1	M2	Torque (N-m)		Weight (kg)
																		Breakaway	Action	
15	15	35	66.5	95	140	85.7	57.2	23.7	169	14.3	1.6	8	42	-	16	M5	-	7.5	5.0	2.0
20	20	43	82.5	117	152	88.5	60.0	23.5	169	15.8	1.6	8	42	-	19	M5	-	7.6	5.0	3.2
25	25	51	89.0	124	165	103.3	73.8	29.0	205	17.5	1.6	10	50	-	19	M6	-	17.5	15.1	3.8
32	32	64	98.5	133	178	108.0	78.5	29.0	205	19.1	1.6	10	50	-	19	M6	-	20.0	17.2	5.6
40	38	73	114.5	156	190	128.4	102.9	39.4	266	20.6	1.6	12	70	-	22	M8	-	22.9	20.5	8.1
50	50	92	127.0	165	216	135.9	110.4	39.4	266	22.4	1.6	12	70	-	19	M8	-	32.2	27.2	10.3
65	63	105	149.0	190	241	147.6	122.1	38.6	298	25.4	1.6	12	70	-	22	M8	-	42.3	34.2	16.1
80	76	127	168.0	210	282	167.5	142.0	43.0	390	28.5	1.6	15	70	102	22	M8	M10	87.2	74.6	22.7
100	100	157	200.0	254	305	182.5	157.0	43.0	390	31.8	1.6	15	70	102	22	M8	M10	98.2	75.2	36.7

unit: mm

NPS	d	G	C	D	L	H	H1	H2	W	T	f	S	D1	D2	M	M1	M2	Torque (in-lb)		Weight (lb)
																		Breakaway	Action	
1/2"	0.59	1.38	2.62	3.74	5.51	3.37	2.25	0.93	6.65	0.56	0.06	0.31	1.65	-	0.63	M5	-	66.4	44.3	4.4
3/4"	0.79	1.69	3.25	4.61	5.98	3.48	2.36	0.93	6.65	0.62	0.06	0.31	1.65	-	0.75	M5	-	67.3	44.3	7.1
1"	0.98	2.01	3.50	4.88	6.50	4.07	2.91	1.14	8.07	0.69	0.06	0.39	1.97	-	0.75	M6	-	154.9	133.7	8.4
1-1/4"	1.26	2.52	3.88	5.24	7.01	4.25	3.09	1.14	8.07	0.75	0.06	0.39	1.97	-	0.75	M6	-	177.0	152.2	12.3
1-1/2"	1.50	2.87	4.51	6.14	7.48	5.06	4.05	1.55	10.47	0.81	0.06	0.47	2.76	-	0.75	M8	-	202.7	181.4	17.9
2"	1.97	3.62	5.00	6.50	8.50	5.35	4.35	1.55	10.47	0.88	0.06	0.47	2.76	-	0.87	M8	-	285.0	240.7	22.7
2-1/2"	2.48	4.13	5.87	7.48	9.49	5.81	4.81	1.52	11.73	1.00	0.06	0.47	2.76	-	0.87	M8	-	374.4	302.7	35.5
3"	2.99	5.00	6.61	8.27	11.1	6.59	5.59	1.69	15.35	1.12	0.06	0.59	2.76	4.02	0.87	M8	M10	771.8	660.3	50.0
4"	3.94	6.18	7.87	10.0	12.01	7.19	6.18	1.69	15.35	1.25	0.06	0.59	2.76	4.02	0.87	M8	M10	869.2	665.6	80.9

unit:in

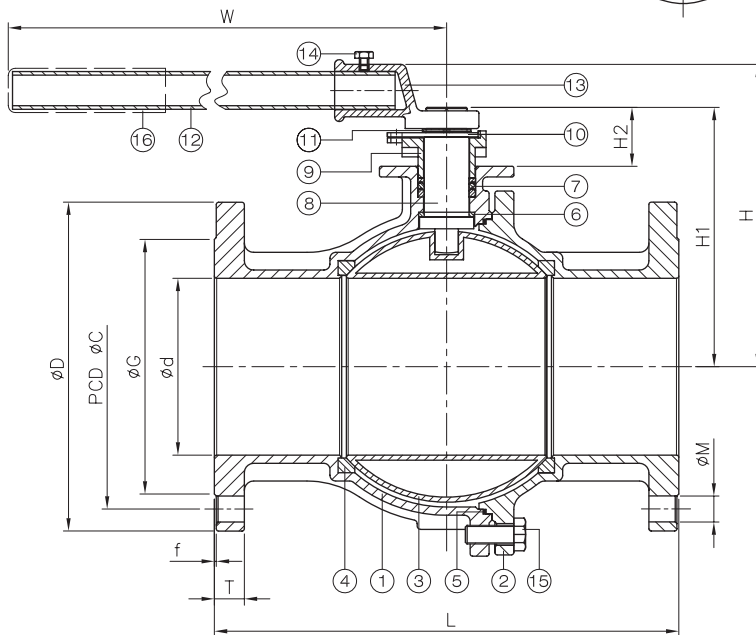
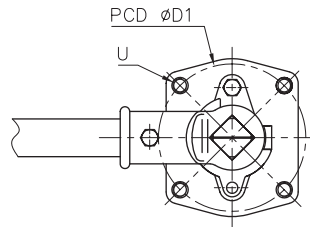
FOR ADDITIONAL SIZES SEE NEXT PAGE

SERIES: B203FM - B203FC - 300# 2-PC FLANGED END BALL VALVE Stainless / Carbon Steel (6")



DESIGN FEATURES:

- Full port, 6" (DN150)
- **W.P. : CLASS 300**
- W.T. : -20°C-200°C (-4°F-392°F)
- Investment casting
- Blow-out proof stem
- Anti-static device (option)
- Locking device
- **Mounting pad ISO 5211**
- Flange dimension: ASME B16.5
- Face to face: ASME B16.10



ITEM	PARTS	MATERIAL	
		B203FMMTXXX	B203FCMTXXX
1	BODY	ASTM A351-CF8M	ASTM A216-WCB
2	CAP		
3	BALL	ASTM A240-316	
4	SEAT	TFM 1600	
5	SEAL		
6	THRUST WASHER	PTFE	
7	PACKING		
8	STEM	ASTM A276-316	
9	GLAND		
10	STOPPER		
11	CIRCLIPS FOR SHAFT	AISI 304	
12	STEEL TUBE		
13	WRENCH BLOCK		
14	BOLT		
15	BOLT		
16	HANDLE SLEEVE	PVC	

DN	d	G	C	D	L	H	H1	H2	W	D1	T	f	U	M	Torque (N-M)		Weight (kg)
															Breakaway	Action	
150	150	216	270	317.5	403	256.5	220	50	743	125	36.6	1.6	M12X1.75	22.5	185	165	79

unit: mm

NPS	d	G	C	D	L	H	H1	H2	W	D1	T	f	U	M	Torque (in-lb)		Weight (lb)
															Breakaway	Action	
6"	5.91	8.5	10.63	12.5	15.87	10.1	8.66	1.97	29.25	4.92	1.44	0.06	M12X1.75	0.89	1637.4	1460.4	174.2

unit: in



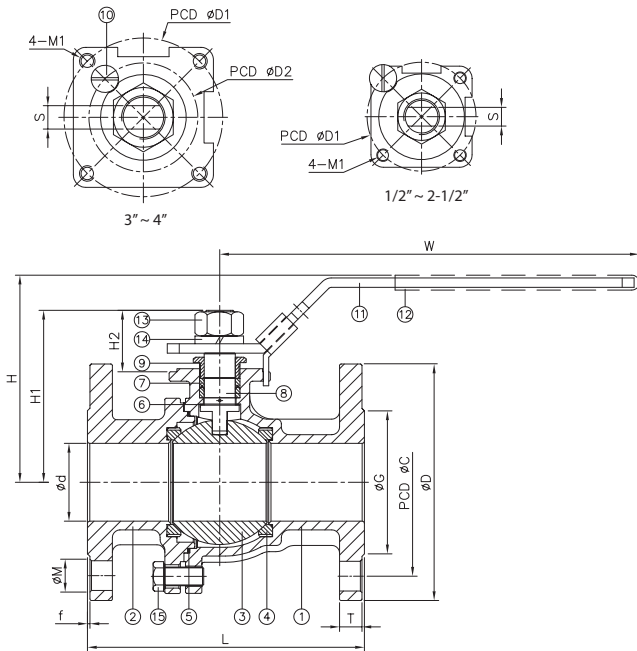
SERIES: B201FM - B201FC - 150#

2-PC FLANGED END BALL VALVE

Stainless / Carbon Steel (1/2" - 4")

DESIGN FEATURES:

- Full port, 1/2"~4" (DN15~DN100)
- **W.P. : CLASS 150**
- W.T. : -20°C~200°C (-4°F~392°F)
- Investment casting
- Blow-out proof stem
- Silicone Free
- Anti-static device
- Locking device
- **Mounting pad ISO 5211**
- Flange dimension: ASME B16.5
- Face to face: ASME B16.10



ITEM	PARTS	MATERIAL	
		B201FMMTXXX	B201FCMTXXX
1	BODY	ASTM A351-CF8M	ASTM A216-WCB
2	CAP		
3	BALL	ASTM A351-CF8M	
4	SEAT	TFM 1600	
5	SEAL	PTFE	
6	THRUST WASHER		
7	PACKING		
8	STEM	ASTM A276-316	
9	GLAND NUT	AISI 304	
10	STOP PIN		
11	HANDLE	STAINLESS STEEL	
12	HANDLE SLEEVE	PVC	
13	STEM NUT	AISI 304	
14	SPRING WASHER		
15	BOLT		

DN	d	G	C	D	L	H	H1	H2	W	T	f	S	D1	D2	M	M1	Torque (N-M)		Weight (kg)
																	Breakaway	Action	
15	15	35.0	60.5	89	108.0	85.7	57.2	23.7	169	9.6	1.6	8	42	-	16	M5	3.8	3.0	1.7
20	20	43.0	70.0	99	117.0	88.5	60.0	23.5	169	9.6	1.6	8	42	-	16	M5	5.5	4.0	2.1
25	25	51.0	79.0	108	127.0	103.3	73.8	29.0	205	9.7	1.6	10	50	-	16	M6	6.5	4.5	2.9
32	32	63.5	88.9	117	140.0	108.0	78.5	29.0	205	11.1	1.6	10	50	-	16	M6	9.0	7.5	4.0
40	38	73.2	98.6	127	165.0	128.4	102.9	39.4	266	12.7	1.6	12	70	-	16	M8	25.0	20.0	5.7
50	50	92.0	120.7	152	178.0	135.9	110.4	39.4	266	14.4	1.6	12	70	-	19.1	M8	38.0	30.0	8.4
65	65	104.6	139.0	178	190.0	147.6	122.1	38.6	298	16.0	1.6	12	70	-	19.1	M8	45.0	35.0	13.3
80	80	127.0	152.0	190	203.0	167.5	142.0	43.0	390	17.5	1.6	15	102	70	19.1	M10	61.0	50.0	16.4
100	100	157.2	190.5	228	228.5	182.5	157.0	43.0	390	22.4	1.6	15	102	70	19.1	M10	80.0	73.0	27.7

unit: mm

NPS	d	G	C	D	L	H	H1	H2	W	T	f	S	D1	D2	M	M1	Torque (lb-in)		Weight (lb)
																	Breakaway	Action	
1/2"	0.59	1.38	2.38	3.50	4.25	3.37	2.25	0.93	6.65	0.38	0.06	0.31	1.65	-	0.63	M5	33.6	26.6	3.8
3/4"	0.79	1.69	2.76	3.90	4.61	3.48	2.36	0.93	6.65	0.38	0.06	0.31	1.65	-	0.63	M5	48.7	35.4	4.5
1"	0.98	2.01	3.11	4.25	5.00	4.07	2.91	1.14	8.07	0.38	0.06	0.39	1.97	-	0.63	M6	57.5	39.8	6.4
1-1/4"	1.26	2.50	3.50	4.61	5.51	4.25	3.09	1.14	8.07	0.44	0.06	0.39	1.97	-	0.63	M6	79.7	66.4	8.8
1-1/2"	1.50	2.88	3.88	5.00	6.50	5.06	4.05	1.55	10.47	0.50	0.06	0.47	2.76	-	0.63	M8	221.3	177.0	12.5
2"	1.97	3.62	4.75	5.98	7.01	5.35	4.35	1.55	10.47	0.57	0.06	0.47	2.76	-	0.75	M8	336.3	265.5	18.5
2-1/2"	2.56	4.12	5.47	7.01	7.48	5.81	4.81	1.52	11.73	0.63	0.06	0.47	2.76	-	0.75	M8	398.3	309.8	29.3
3"	3.15	5.00	5.98	7.48	7.99	6.59	5.59	1.69	15.35	0.69	0.06	0.59	4.02	2.76	0.75	M10	539.9	442.5	36.1
4"	3.94	6.19	7.50	8.98	9.00	7.19	6.18	1.69	15.35	0.88	0.06	0.59	4.02	2.76	0.75	M10	708.1	646.1	61.0

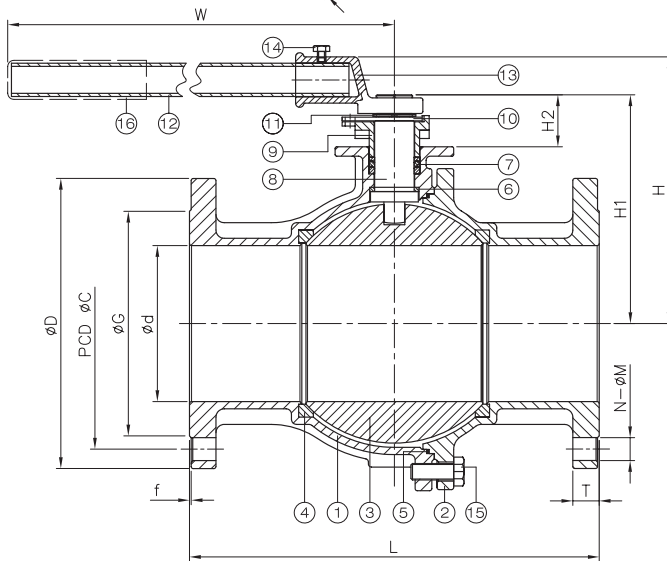
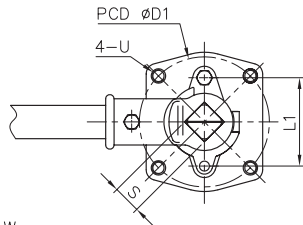
unit: in

SERIES: B201FM - B201FC - 150# 2-PC FLANGED END BALL VALVE Stainless / Carbon Steel (5" - 10")



DESIGN FEATURES:

- Full port, 5" - 10" (DN125-DN250)
- **W.P. : CLASS 150**
- W.T. : -20°C~200°C (-4°F~392°F)
- Investment casting
- Blow-out proof stem
- Silicone Free
- Anti-static device
- Locking device
- **Mounting pad ISO 5211**
- Flange dimension: ASME B16.5
- Face to face: ASME B16.10



ITEM	PARTS	MATERIAL	
		B201FMXXX	B201FCXXX
1	BODY	ASTM A351-CF8M	ASTM A216-WCB
2	CAP		
3	BALL	ASTM A351-CF8M	
4	SEAT	TFM 1600	
5	SEAL	PTFE	
6	THRUST WASHER		
7	PACKING	ASTM A276-316	
8	STEM		
9	GLAND	AISI 304	
10	STOPPER		
11	CIRCLIPS FOR SHAFT	AISI 304	
12	STEEL TUBE		
13	WRENCH BLOCK	AISI 304	
14	BOLT		
15	BOLT	PVC	
16	HANDLE SLEEVE		

DN	d	G	C	D	L	H	H1	H2	W	T	f	N	M	S	L1	D1	U	Torque (N-M)		Weight (kg)
																		Breakaway	Action	
125	125	186	216.0	254	356	239.6	199.0	52.0	743	23.9	1.6	8	22.0	27	85	125	M12*1.75	160	96	46.0
150	150	216	241.5	279	394	256.5	220.0	50.0	743	25.4	1.6	8	22.0	27	85	125	M12*1.75	190	168	64.5
200	200	270	298.5	343	457	334.0	300.5	85.5	840	28.6	1.6	8	22.5	36	120	140	M16*2.00	470	350	121.0
250	250	324	362.0	406	533	378.0	334.5	74.5	1040	30.2	1.6	12	25.4	36	120	140	M16*2.00	750	450	186.0

unit: mm

NPS	d	G	C	D	L	H	H1	H2	W	T	f	N	M	S	L1	D1	U	Torque (in-lb)		Weight (lb)
																		Breakaway	Action	
5"	4.92	7.32	8.50	10.00	14.02	9.43	7.83	2.05	29.25	0.94	0.06	8	0.87	1.06	3.35	4.92	M12*1.75	1416.1	849.7	101.4
6"	5.91	8.50	9.51	10.98	15.51	10.10	8.66	1.97	29.25	1.00	0.06	8	0.87	1.06	3.35	4.92	M12*1.75	1681.6	1486.9	142.2
8"	7.87	10.63	11.75	13.50	17.99	13.15	11.83	3.37	33.07	1.13	0.06	8	0.89	1.42	4.72	5.51	M16*2.00	4159.8	3097.7	266.8
10"	9.84	12.76	14.25	15.98	20.98	14.88	13.17	2.93	40.94	1.19	0.06	12	1.00	1.42	4.72	5.51	M16*2.00	6638.0	3982.8	410.1

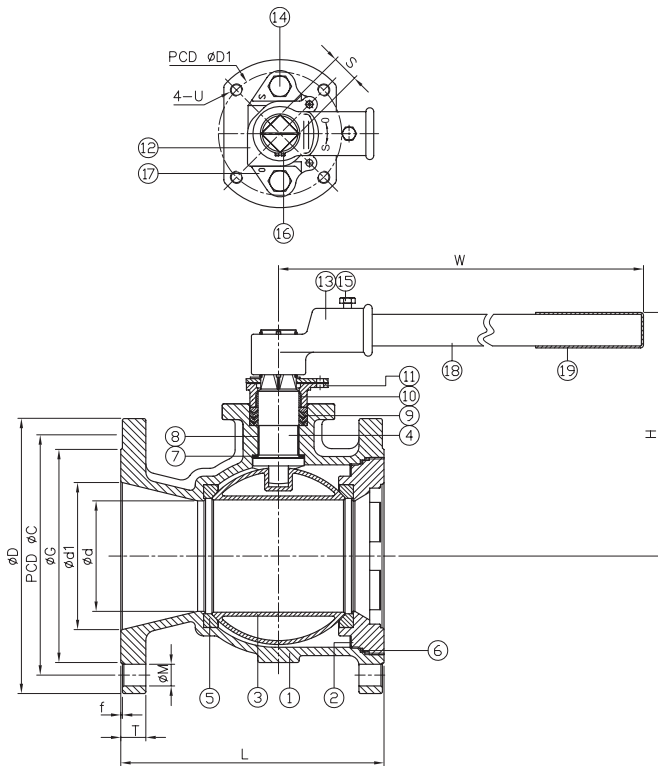
unit: in



SERIES: B101FM - B101FC - 150# (6")
1-PC FLANGED END BALL VALVE
Stainless / Carbon Steel
 DIRECT MOUNT

DESIGN FEATURES:

- Standard port, 6" (DN150)
- **W.P. : CLASS 150**
- W.T. : -20°C~200°C (-4°F~-392°F)
- Investment casting
- Blow-out proof stem
- Live-loading design
- Silicone Free
- Anti-static device
- **Mounting pad ISO 5211**
- API 598 Design
- Wall thickness: ASME B16.34
- Flange dimension: ASME B16.5
- Face to face: ASME B16.10
- Supplied with lever handle



ITEM	PARTS	MATERIAL	
		B101FM TXXX	B101FC TXXX
1	BODY	ASTM A351-CF8M	ASTM A216-WCB
2	CAP		
3	BALL	ASTM A240-316	
4	STEM	ASTM A276316	
5	BALL SEAT	TFM 1600	
6	BODY SEAL	PTFE	
7	THRUST WASHER A		
8	THRUST WASHER B		
9	PACKING		
10	BUSHING	AISI 304	
11	GLAND		
12	STOPPER		
13	HANDLE HEAD		
14	BOLT		
15	BOLT		
16	CIRCLIPS FOR SHAFTS		
17	STOPPER		
18	STEEL TUBE		
19	HANDLE SLEEVE		

DN	d	d1	G	C	D	L	H	W	T	f	N	M	S	D1	U	ISO 5211	Torque (N-m)	Weight (kg)
150	112	150	216	241.5	279	267	246	745	25.4	1.6	8	22	27	125	1/2" -13UNC	F10 /F12	205	41

unit: mm

NPS	d	d1	G	C	D	L	H	W	T	f	N	M	S	D1	U	ISO 5211	Torque (in-lb)	Weight (lb)
6"	4.41	5.91	8.50	9.51	10.98	10.51	9.69	29.33	1.00	0.06	8.00	0.87	1.06	4.92	1/2" -13UNC	F10 /F12	1814.4	90.4

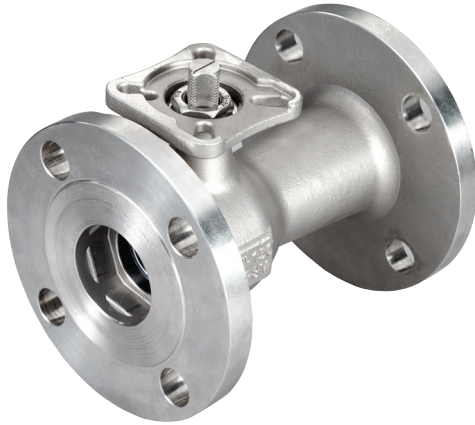
unit: in

SERIES: B501FM - B501FC - 150# (1" - 4")

1-PC FLANGED END BALL VALVE

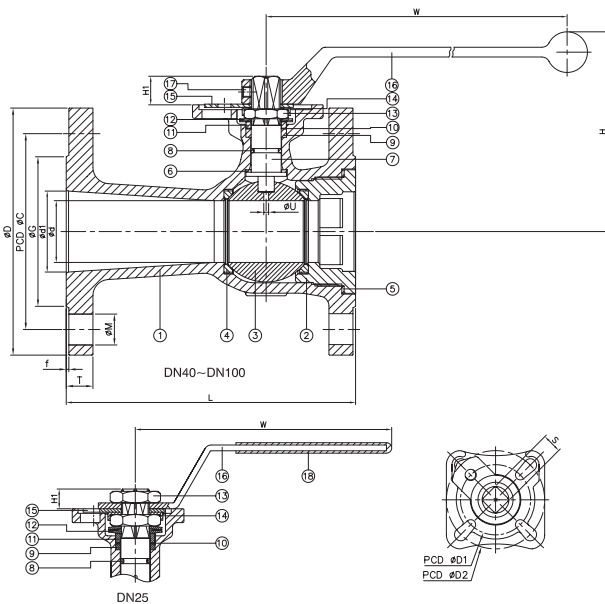
Stainless / Carbon Steel

DIRECT MOUNT • FIRE SAFE



DESIGN FEATURES:

- Standard port, 1"~4" (DN25~DN100)
- **W.P. : CLASS 150**
- W.T. : -20°C~200°C (-4°F~392°F)
- Investment casting
- Blow-out proof stem
- Live-loading design
- Silicone Free
- Anti-static device
- **Direct mounting pad ISO 5211**
- **API 607 Fire safe approved**
- Wall thickness: ASME B16.34
- Flange dimension: ASME B16.5
- Face to face: ASME B16.10
- Supplied with lever handle



ITEM	PARTS	MATERIAL	
		B501FMMGXXX	B501FCMGXXX
1	BODY	ASTM A351-CF8M	ASTM A216-WCB
2	RETAINER		
3	BALL	ASTM A351-CF8M	
4	SEAT	TFM 1600	
5	SEAL	GRAPHITE	
6	THRUST WASHER	CTFE	
7	STEM	ASTM A276-316	
8	O-RING	VITON	
9	PACKING A	GRAPHITE	
10	PACKING B	CTFE	
11	GLAND RING	AISI 304	
12	BELLEVILLE WASHER	AISI 301	
13	STEM NUT	AISI 304	
14	LOCKING WASHER		
15	STOPPER		
16	HANDLE	STAINLESS STEEL	
17	SOCKET SET SCREWS	AISI 304	
18	HANDLE SLEEVE	PVC	

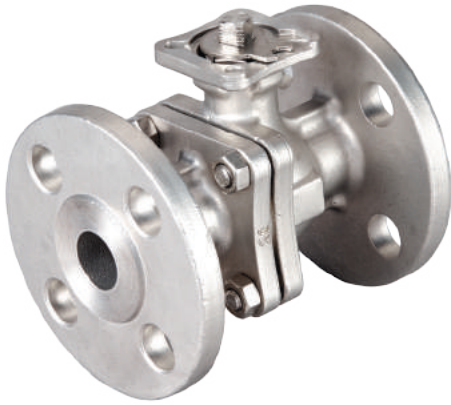
DN	d	d1	G	C	D	L	H	H1	W	T	f	S	D1	D2	M	U	ISO 5211	Torque (N-m)		Weight (kg)
																		Break-away	Action	
25	20	25	51	79.5	108.0	127.0	96	8.0	140.0	11.1	1.6	9	36	42	16	3	F03 / F04	9.8	5.9	2.0
40	30	40	73	98.5	127.0	165.0	101	10.5	197.5	14.3	1.6	11	42	50	16	3	F03 / F04	20.8	11.7	4.0
50	38	50	92	120.5	152.0	178.0	123	14.0	247.5	15.8	1.6	14	50	70	19	3	F05 / F07	29.9	20.8	6.8
65	50	64	105	139.5	178.0	190.5	136	15.5	247.5	17.6	1.6	14	50	70	19	3	F05 / F07	37.7	26.0	9.7
80	64	76	127	152.5	190.5	203.0	155	18.5	340.0	19.1	1.6	17	70	102	19	3	F07 / F10	48.1	36.4	15.2
100	76	100	157	190.5	229.0	229.0	170	20.0	340.0	24.0	1.6	17	70	102	19	3	F07 / F10	55.9	45.5	23.0

unit: mm

NPS	d	d1	G	C	D	L	H	H1	W	T	f	S	D1	D2	M	U	ISO 5211	Torque (in-lb)		Weight (lb)
																		Break-away	Action	
1"	0.79	0.98	2.01	3.13	4.25	5.00	3.79	0.31	5.51	0.44	0.06	0.35	1.42	1.65	0.63	0.12	F03 / F04	86.7	52.2	4.4
1-1/2"	1.18	1.57	2.87	3.88	5.00	6.50	3.97	0.41	7.78	0.56	0.06	0.43	1.65	1.97	0.63	0.12	F03 / F04	184.1	103.6	8.8
2"	1.50	1.97	3.62	4.74	5.98	7.01	4.84	0.55	9.74	0.62	0.06	0.55	1.97	2.76	0.75	0.12	F05 / F07	264.6	184.1	15.0
2-1/2"	1.97	2.52	4.13	5.49	7.01	7.50	5.35	0.61	9.74	0.69	0.06	0.55	1.97	2.76	0.75	0.12	F05 / F07	333.7	230.1	21.4
3"	2.52	2.99	5.00	6.00	7.50	7.99	6.11	0.73	13.39	0.75	0.06	0.67	2.76	4.02	0.75	0.12	F07 / F10	425.7	322.2	33.5
4"	2.99	3.94	6.18	7.50	9.02	9.02	6.70	0.79	13.39	0.94	0.06	0.67	2.76	4.02	0.75	0.12	F07 / F10	494.8	402.7	50.7

unit: in

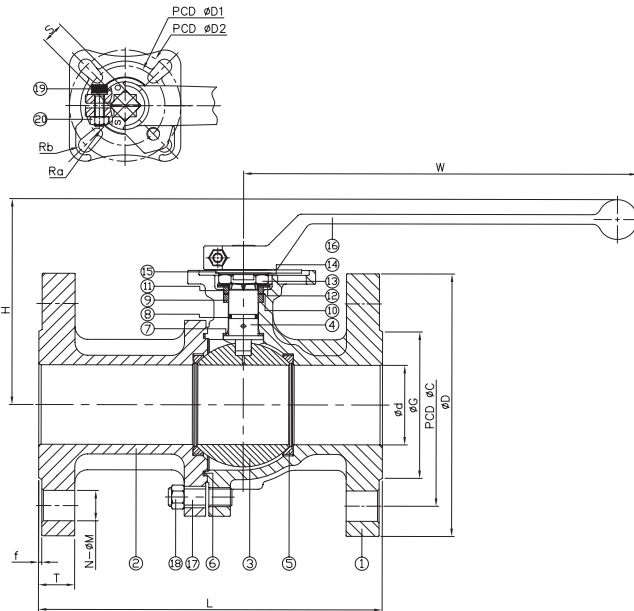
FOR ADDITIONAL SIZES SEE NEXT PAGE



SERIES: B603FM - B603FC - Class 300 2-PC FLANGED END BALL VALVE Stainless / Carbon Steel (1/2" - 4")

DESIGN FEATURES:

- Full port, 1/2"~4" (DN15~DN100)
- **W.P. : CLASS 300**
- W.T. : -20°C~200°C (-4°F~392°F)
- Investment casting
- Blow-out proof stem
- Silicone Free
- Supplied with lever handle
- Live-loading design
- Anti-static device
- Locking device
- **Direct mounting pad ISO 5211**
- **API 607 Fire safe approved**



ITEM	PARTS	MATERIAL	
		B603FMMGXXX	B603FCMGXXX
1	BODY	ASTM A351-CF8M	ASTM A216-WCB
2	CAP		
3	BALL	ASTM A351-CF8M	
4	STEM	ASTM A276-316	
5	SEAT	TFM 1600	
6	SEAL	GRAPHITE	
7	THRUST WASHER	CTFE	
8	O-RING	VITON	
9	PACKING A	GRAPHITE	
10	PACKING B	CTFE	
11	GLAND RING	AISI 304	
12	BELLEVILLE WASHER	AISI 301	
13	STEM NUT	AISI 304	
14	LOCK WASHER		
15	STOPPER		
16	HANDLE		
17	STUD		
18	NUT		
19	BOLT		
20	HANDLE NUT		

DN	d	G	C	D	L	H	W	T	f	S	D1	D2	Ra	Rb	N	M	ISO 5211	Torque(N-M)		Weight (kg)
																		Breakaway	Action	
15	15	35.0	66.7	95	140	84.5	197.5	14.7	2	9	36	42	2.75	2.75	4	16.0	F03 / F04	5.2	3.0	2.4
20	20	43.0	82.6	115	152	94.5	197.5	16.3	2	9	36	42	2.75	2.75	4	19.1	F03 / F04	8.0	4.7	3.4
25	24	51.0	89.0	125	165	99.5	197.5	17.9	2	11	42	50	2.75	3.5	4	19.1	F04 / F05	12.5	9.0	4.6
32	30	63.5	98.4	135	178	105.0	197.5	19.5	2	11	42	50	2.75	3.5	4	19.1	F04 / F05	14.0	11.0	5.9
40	38	73.0	114.3	155	190	124.5	247.5	21.1	2	14	50	70	3.50	4.5	4	22.3	F05 / F07	24.5	18.0	8.8
50	50	92.0	127.0	165	216	129.0	247.5	22.7	2	14	50	70	3.50	4.5	8	19.1	F05 / F07	32.0	23.0	11.0
65	64	104.8	149.2	190	241	154.5	340.0	25.9	2	17	70	102	4.50	5.5	8	22.3	F07 / F10	38.0	27.0	18.5
80	75	127.0	168.3	210	282	165.5	340.0	29.0	2	17	70	102	4.50	5.5	8	22.3	F07 / F10	45.0	30.0	25.3
100	98	157.2	200.0	255	305	188.0	340.0	32.2	2	22	102	125	5.50	6.5	8	22.3	F10 / F12	55.0	37.0	39.5

unit: mm

NPS	d	G	C	D	L	H	W	T	f	S	D1	D2	Ra	Rb	N	M	ISO 5211	Torque(in-lb)		Weight (lb)
																		Breakaway	Action	
1/2'	0.59	1.38	2.63	3.74	5.51	3.33	7.78	0.58	0.08	0.35	1.42	1.65	0.11	0.11	4	0.63	F03 / F04	46.0	26.6	5.3
3/4"	0.79	1.69	3.25	4.53	5.98	3.72	7.78	0.64	0.08	0.35	1.42	1.65	0.11	0.11	4	0.75	F03 / F04	70.8	41.6	7.5
1"	0.94	2.01	3.50	4.92	6.50	3.92	7.78	0.70	0.08	0.43	1.65	1.97	0.11	0.14	4	0.75	F04 / F05	110.6	79.7	10.1
1-1/4"	1.18	2.50	3.87	5.31	7.01	4.13	7.78	0.77	0.08	0.43	1.65	1.97	0.11	0.14	4	0.75	F04 / F05	123.9	97.4	13.0
1-1/2"	1.50	2.87	4.50	6.10	7.48	4.90	9.74	0.83	0.08	0.55	1.97	2.76	0.14	0.18	4	0.88	F05 / F07	216.8	159.3	19.4
2"	1.97	3.62	5.00	6.50	8.50	5.08	9.74	0.89	0.08	0.55	1.97	2.76	0.14	0.18	8	0.75	F05 / F07	283.2	203.6	24.3
2-1/2"	2.52	4.13	5.87	7.48	9.49	6.08	13.39	1.02	0.08	0.67	2.76	4.02	0.18	0.22	8	0.88	F07 / F10	336.3	239.0	40.8
3"	2.95	5.00	6.63	8.27	11.1	6.52	13.39	1.14	0.08	0.67	2.76	4.02	0.18	0.22	8	0.88	F07 / F10	398.3	265.5	55.8
4"	3.86	6.19	7.87	10.04	12.01	7.40	13.39	1.27	0.08	0.87	4.02	4.92	0.22	0.26	8	0.88	F10 / F12	486.8	327.5	87.1

unit: in

FOR ADDITIONAL SIZES SEE NEXT PAGE



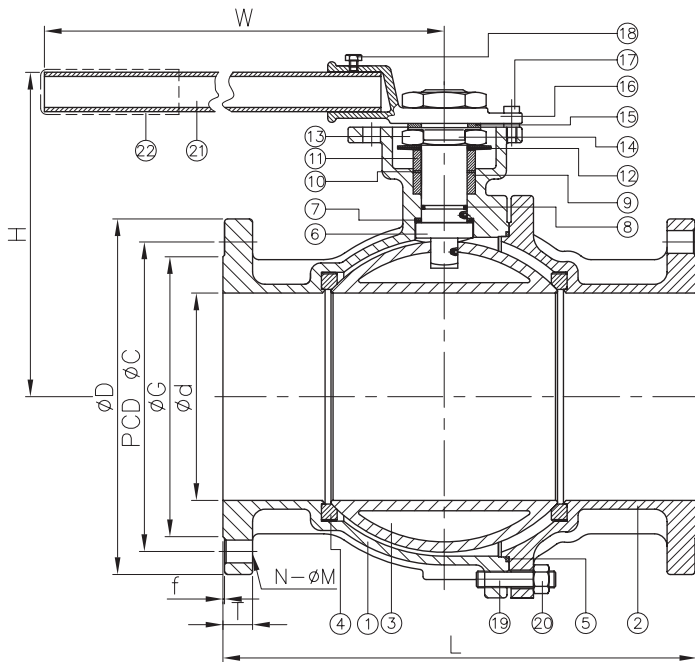
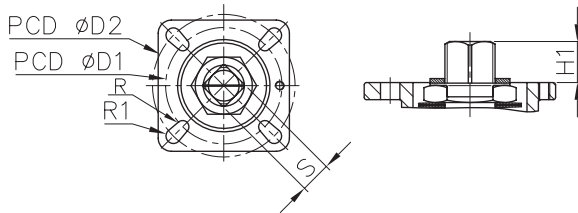
SERIES: B603FC - B603FM - Class 300

2-PC FLANGED END BALL VALVE

Stainless / Carbon Steel (6")

DESIGN FEATURES:

- Full port, 6" (DN150)
- **W.P. : CLASS 300**
- W.T. : -20°C~200°C (-4°F~392°F)
- Investment casting
- Blow-out proof stem
- Silicone Free
- Supplied with lever handle
- Live-loading design
- Anti-static device
- Locking device
- **Direct mounting pad ISO 5211**
- **API 607 Fire safe approved**



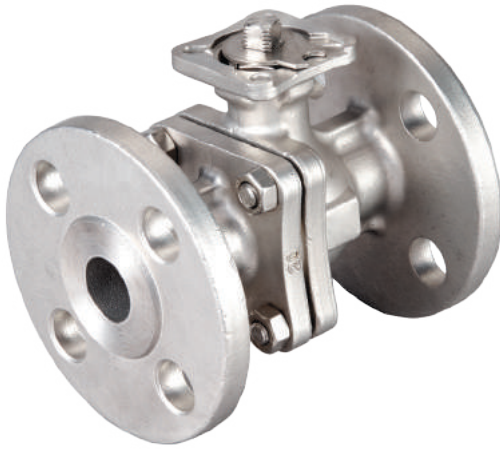
ITEM	PARTS	MATERIAL	
		B603FMMGXXX	B603FCMGXXX
1	BODY	ASTM A351-CF8M	ASTM A216-WCB
2	CAP		
3	BALL	ASTM A240-316	
4	SEAT	TFM 1600	
5	SEAL	316+GRAPHITE	
6	STEM	ASTM A276-316	
7	THRUST WASHER	CTFE	
8	O-RING	VITON	
9	PACKING A	GRAPHITE	
10	PACKING B	CTFE	
11	GLAND RING	AISI 304	
12	BELLEVILLE WASHER	AISI 301	
13	STEM NUT	AISI 304	
14	LOCK WASHER		
15	FLAT WASHER		
16	HANDLE HEAD		
17	STOP PIN		
18	BOLT		
19	STUD		
20	NUT	PVC	
21	STEEL TUBE		
22	HANDLE SLEEVE	PVC	

DN	d	G	C	D	L	H	H1	W	T	f	S	D1	D2	R	R1	N	M	ISO 5211	Torque (N-M)		Weight (kg)
																			Breakaway	Action	
150	150	216	269.9	320	403	27.5	253	743	37	2	27	102	125	5.5	6.5	12	22.3	F10 / F12	250	170	79

unit: mm

NPS	d	G	C	D	L	H	H1	W	T	f	S	D1	D2	R	R1	N	M	ISO 5211	Torque (in-lb)		Weight (lb)
																			Breakaway	Action	
6"	5.91	8.5	10.63	12.6	15.87	1.08	9.96	29.25	1.46	0.08	1.06	4.02	4.92	0.22	0.26	12	0.88	F10 / F12	2212.7	1504.6	174.2

unit: in



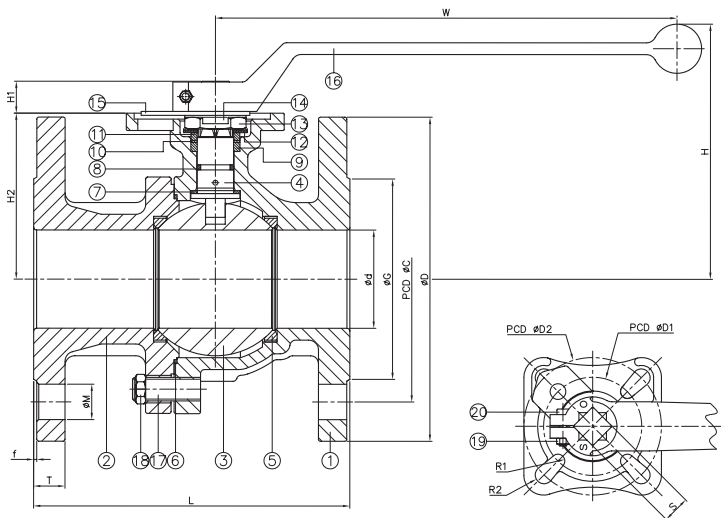
SERIES: B601FM - B601FC - Class 150

2-PC FLANGED END BALL VALVE

Stainless / Carbon Steel (1/2" - 4")

DESIGN FEATURES:

- Full port, 1/2"~4" (DN15~DN100)
- **W.P. : CLASS 150**
- W.T. : -20°C~200°C (-4°F~392°F)
- Investment casting
- Blow-out proof stem
- Silicone Free
- Live-loading design
- Anti-static device
- Locking device
- **Direct mounting pad ISO 5211**
- **API 607 Fire safe approved**
- Supplied with lever handle



ITEM	PARTS	MATERIAL	
		B601FMMGXXX	B601FCMGXXX
1	BODY	ASTM A351-CF8M	ASTM A216-WCB
2	CAP		
3	BALL	ASTM A276-316	
4	STEM	ASTM A276-316	
5	SEAT	TFM 1600	
6	SEAL	GRAPHITE	
7	THRUST WASHER	CTFE	
8	O-RING	VITON	
9	PACKING A	GRAPHITE	
10	PACKING B	CTFE	
11	GLAND RING	AISI 304	
12	BELLEVILLE WASHER	AISI 301	
13	NUT	AISI 304	
14	LOCK WASHER		
15	STOPPER		
16	HANDLE		
17	STUD		
18	NUT		
19	NUT		
20	BOLT		

DN	d	G	C	D	L	H	H1	H2	W	T	f	S	D1	D2	R1	R2	M	ISO 5211	Torque (N-M)		Weight (kg)
																			Breakaway	Action	
15	15	35.0	60.5	89.0	108.0	85.0	8.5	50.5	190	11.1	1.6	9	36	42	2.75	2.75	16	F03 / F04	5.2	3.0	1.7
20	20	43.0	70.0	98.0	117.0	89.5	8.5	55.0	190	11.6	1.6	9	36	42	2.75	2.75	16	F03 / F04	8.0	4.7	2.1
25	24	51.0	79.5	108.0	127.5	94.2	10.5	59.0	190	11.6	1.6	11	42	50	2.75	3.50	16	F04 / F05	12.5	9.0	3.2
32	30	64.0	89.0	117.0	140.5	97.9	10.5	62.0	190	12.7	1.6	11	42	50	2.75	3.50	16	F04 / F05	14.0	11.0	3.7
40	38	73.0	98.5	127.0	165.0	120.9	14.0	76.0	235	14.3	1.6	14	50	70	3.50	4.50	16	F05 / F07	24.5	18.0	6.0
50	50	92.0	120.5	152.0	178.0	129.9	14.0	84.5	235	16.0	1.6	14	50	70	3.50	4.50	19	F05 / F07	32.0	23.0	8.0
65	64	105.0	139.5	178.0	190.5	156.3	17.0	104.5	325	17.5	1.6	17	70	102	4.50	5.50	19	F07 / F10	38.0	27.0	14.5
80	76	127.0	152.5	190.5	203.0	163.3	17.0	111.5	325	19.1	1.6	17	70	102	4.50	5.50	19	F07 / F10	45.0	30.0	18.2
100	100	157.2	190.5	229.0	229.0	195.9	23.0	142.0	325	24.3	1.6	22	102	125	5.50	6.50	19	F10 / F12	130.0	78.0	29.3

unit: mm

NPS	d	G	C	D	L	H	H1	H2	W	T	f	S	D1	D2	R1	R2	M	ISO 5211	Torque (in-lb)		Weight (lb)
																			Breakaway	Action	
1/2"	0.59	1.38	2.38	3.50	4.25	3.35	0.33	1.99	7.48	0.44	0.06	0.35	1.42	1.65	0.11	0.11	0.63	F03 / F04	46.0	26.6	3.7
3/4"	0.79	1.69	2.76	3.86	4.61	3.52	0.33	2.17	7.48	0.46	0.06	0.35	1.42	1.65	0.11	0.11	0.63	F03 / F04	70.8	41.6	4.6
1"	0.94	2.01	3.13	4.25	5.02	3.71	0.41	2.32	7.48	0.46	0.06	0.43	1.65	1.97	0.11	0.14	0.63	F04 / F05	110.6	79.7	7.1
1-1/4"	1.18	2.52	3.50	4.61	5.53	3.85	0.41	2.44	7.48	0.50	0.06	0.43	1.65	1.97	0.11	0.14	0.63	F04 / F05	123.9	97.4	8.2
1-1/2"	1.50	2.87	3.88	5.00	6.50	4.76	0.55	2.99	9.25	0.56	0.06	0.55	1.97	2.76	0.14	0.18	0.63	F05 / F07	216.8	159.3	13.2
2"	1.97	3.62	4.74	5.98	7.01	5.11	0.55	3.33	9.25	0.63	0.06	0.55	1.97	2.76	0.14	0.18	0.75	F05 / F07	283.2	203.6	17.6
2-1/2"	2.52	4.13	5.49	7.01	7.50	6.15	0.67	4.11	12.8	0.69	0.06	0.67	2.76	4.02	0.18	0.22	0.75	F07 / F10	336.3	239.0	32.0
3"	2.99	5.00	6.00	7.50	7.99	6.43	0.67	4.39	12.8	0.75	0.06	0.67	2.76	4.02	0.18	0.22	0.75	F07 / F10	398.3	265.5	40.2
4"	3.94	6.19	7.50	9.02	9.02	7.71	0.91	5.59	12.8	0.96	0.06	0.87	4.02	4.92	0.22	0.26	0.75	F10 / F12	1150.6	690.4	64.6

unit: in

FOR ADDITIONAL SIZES SEE NEXT PAGE

SERIES: B601FM - B601FC - Class 150

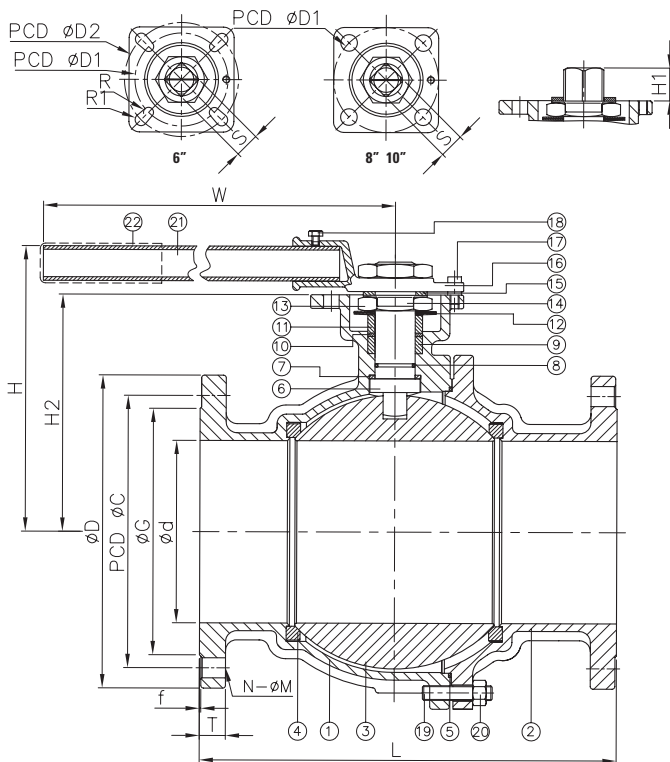
2-PC FLANGED END BALL VALVE

Stainless / Carbon Steel (6" - 10")



DESIGN FEATURES:

- Full port, 6"-10" (DN150 ~ DN250)
- **W.P. : CLASS 150**
- W.T. : -20°C~200°C (-4°F~392°F)
- Investment casting
- Blow-out proof stem
- Silicone Free
- Supplied with lever handle
- Live-loading design
- Anti-static device
- Locking device
- **Direct mounting pad ISO 5211**
- **API 607 Fire safe approved**



ITEM	PARTS	MATERIAL	
		B601FMMGXXX	B601FCMGXXX
1	BODY	ASTM A351-CF8M	ASTM A216-WCB
2	CAP		
3	BALL	ASTM A351-CF8M	
4	SEAT	TFM 1600	
5	SEAL	316+GRAPHITE	
6	STEM	ASTM A276-316	
7	THRUST WASHER	CTFE	
8	O-RING	VITON	
9	PACKING A	GRAPHITE	
10	PACKING B	CTFE	
11	GLAND RING	AISI 304	
12	BELLEVILLE WASHER	AISI 301	
13	STEM NUT	AISI 304	
14	LOCK WASHER		
15	FLAT WASHER		
16	HANDLE HEAD		
17	STOP PIN		
18	BOLT		
19	STUD		
20	NUT		
21	STEEL TUBE		
22	HANDLE SLEEVE		

DN	d	G	C	D	L	H	H1	H2	W	T	f	S	D1	D2	R	R1	N	M	ISO 5211	Torque (N-M)		Weight (kg)
																				Breakaway	Action	
150	150	216	241.5	279	394	230	27.5	201	743	25.4	1.6	27	102	125	5.5	6.5	8	22.4	F10 / F12	250	170	67
200	200	270	298.5	343	457	312	36	259	840	28.6	1.6	36	140	-	8.5	-	8	22.4	F14	470	280	116
250	250	324	362.0	406	533	350	36	295	1040	30.2	1.6	36	140	-	8.5	-	12	25.4	F14	750	532	186

unit: mm

NPS	d	G	C	D	L	H	H1	H2	W	T	f	S	D1	D2	R	R1	N	M	ISO 5211	Torque (in-lb)		Weight (lb)
																				Breakaway	Action	
6"	5.91	8.50	9.51	10.98	15.51	9.06	1.08	7.91	29.25	1.00	0.06	1.06	4.02	4.92	0.22	0.26	8	0.88	F10 / F12	2212.7	1504.6	147.7
8"	7.87	10.63	11.75	13.5	17.99	12.28	1.42	10.20	33.07	1.13	0.06	1.42	5.51	-	0.33	-	8	0.88	F14	4159.8	2478.2	255.7
10"	9.84	12.76	14.25	15.98	20.98	13.78	1.42	11.61	40.94	1.19	0.06	1.42	5.51	-	0.33	-	12	1.00	F14	6638.0	4708.6	410.1

unit: in