

Mini slides DGSC

FESTO



Key features

At a glance

Characteristics

- Smallest guided slide unit (width 8 mm), therefore high component density possible
- Precision ball bearing cage guide permits accurate linearity/parallelism
- Long service life thanks to housing made from high-alloy steel
- Low break-away pressure and uniform movement thanks to minimal friction of guide and seal
- Contact resistance $< 5 \Omega$
- Quick and easy assembly and commissioning
- Two variants available to order:
 - Mounting interface on the side, supply ports on the front
 - Mounting interface on the front, supply ports on the side

Range of applications

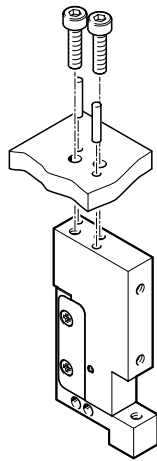
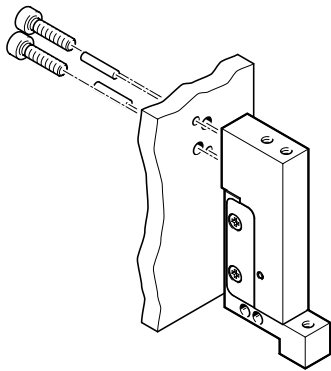
- Chip picking
- Slide or separating applications
- Pushing or stem applications

Mounting options

On the housing

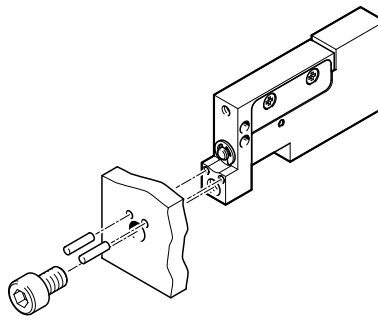
DGSC-6-10-P-L

DGSC-6-10-P-P



On the slide

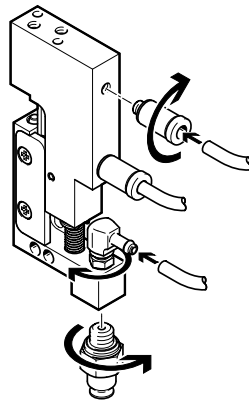
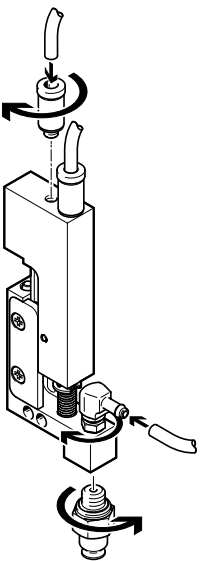
DGSC-6-10-P-...



Pneumatic connection

DGSC-6-10-P-L

DGSC-6-10-P-P



Type codes and peripherals overview

Type codes

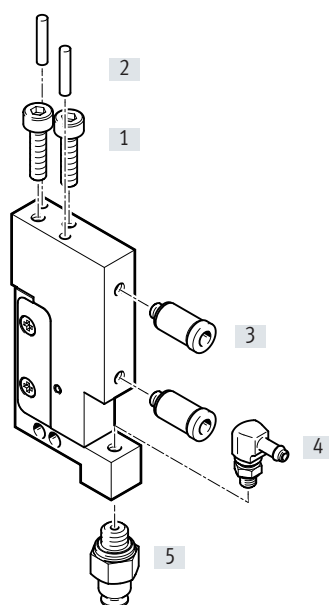
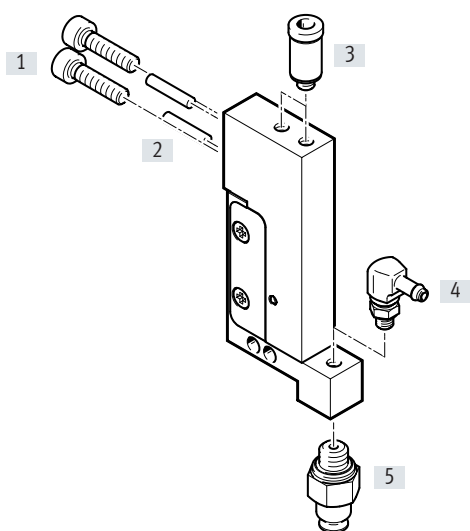
001	Series
DGSC	Mini slide, double-acting
002	Size
6	6
003	Stroke
10	10

004	Cushioning
P	Elastic cushioning rings/plates on both sides
005	Connection position
L	In the direction of motion
P	Perpendicular to direction of movement

Peripherals overview

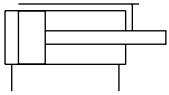
Supply ports in the direction of movement of the slide



Supply ports on the side of the housing

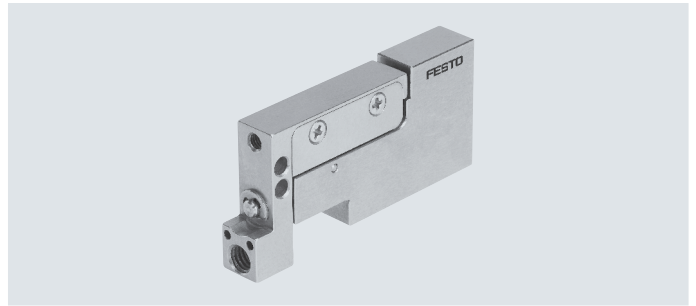


Accessories	Description	→ Page/Internet
[1] Screw	For mounting the mini slide	-
[2] Centring pin ø 2, to EN ISO 2338	For centring the mini slide during assembly	-
[3] Push-in fitting QSM	For supplying compressed air to the mini slide	8
[4] Push-in L-fitting QSML	For connecting vacuum or compressed air to the slide	8
[5] Suction cup with connection VAS	-	9

Data sheet



-  Size
6
-  Stroke length
10 mm



General technical data		
Size		6
Stroke ¹⁾	[mm]	10
Pneumatic connection		M3
Design		Scotch yoke system
Guide		Ball bearing cage guide
Type of mounting		With female thread and dowel pin
Cushioning		Elastic cushioning rings/pads at both ends
Position sensing		None
Mounting position		Any
Max. payload ²⁾	[g]	30
Max. operating frequency	[Hz]	< 4
Contact resistance	[Ω]	< 5
Repetition accuracy	[mm]	±0.1

- 1) Valid at 6 bar. The complete stroke is not achieved at lower operating pressure due to the integrated cushioning components.
 2) For unthrottled operation.

Operating and environmental conditions		
Operating medium		Compressed air to ISO 8573-1:2010 [7:4:4]
Note on the operating/pilot medium		Lubricated operation possible (in which case lubricated operation will always be required)
Operating pressure	[bar]	1 ... 6
Ambient temperature	[°C]	10 ... 50
Corrosion resistance class CRC ²⁾		2

- 2) Corrosion resistance class 2 to Festo standard 940070
 Components subject to moderate corrosion stress. External visible parts with primarily decorative surface requirements which are in direct contact with a normal industrial environment or media such as coolants or lubricating agents.

Weight [g]		
Type	DGSC-6-10-P-L	DGSC-6-10-P-P
Product weight	42	52
Moving mass	17	17

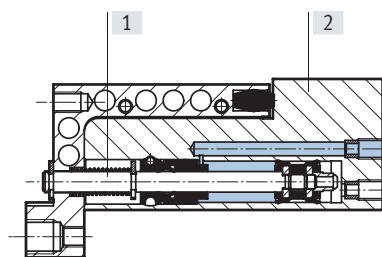
Forces [N]	
Theoretical force at 6 bar, advancing	17
Theoretical force at 6 bar, retracting	12.7
Measured force at 6 bar, advancing	15.5

Travel times [ms] at 6 bar	
Advancing	19
Retracting	16.5

Data sheet

Materials

Sectional view



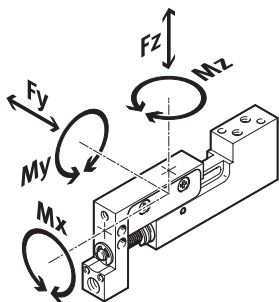
Mini slide

[1] Piston rod	High-alloy stainless steel
[2] Housing	High-alloy stainless steel
- Seals	Nitrile rubber
Note on materials	Free of copper and PTFE
	RoHS-compliant

Static characteristic load values

The indicated forces and torques refer to the guide.

These values must not be exceeded during dynamic operation. Special attention must be paid to the deceleration phase.



If the drive is subjected to two or more of the indicated forces and torques simultaneously, the following equation must be satisfied in addition to the indicated maximum loads:

$$f_v = \frac{|F_{y1}|}{F_{y2}} + \frac{|F_{z1}|}{F_{z2}} + \frac{|M_{x1}|}{M_{x2}} + \frac{|M_{y1}|}{M_{y2}} + \frac{|M_{z1}|}{M_{z2}} \leq 1$$

F1/M1 = dynamic value

F2/M2 = maximum value

Permissible forces and torques

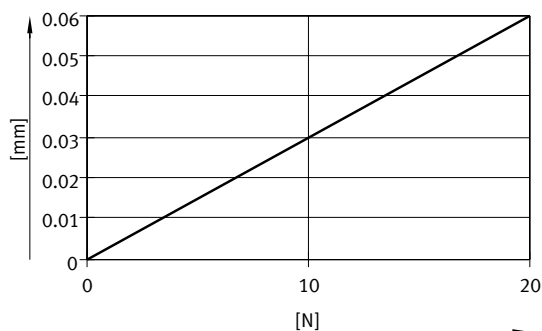
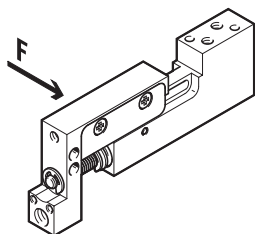
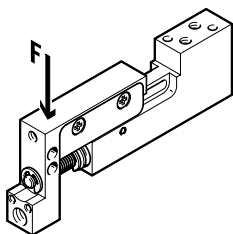
$F_{y_{max}}$	[N]	20
$F_{z_{max}}$	[N]	20
$M_{x_{max}}$	[Nm]	0.3
$M_{y_{max}}$	[Nm]	0.4
$M_{z_{max}}$	[Nm]	0.4

Data sheet

Slide displacement at max. stroke

Axial load

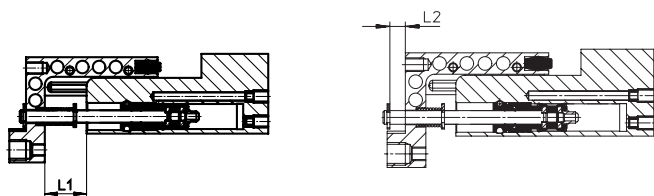
Lateral load



Stroke compensation

The integrated spring enables stroke compensation of 2.5 mm if there is a risk of collision in the advanced state. Only low spring forces then act on the yoke. This protects the mechanism from overload.

Stroke:
L1= 10 mm



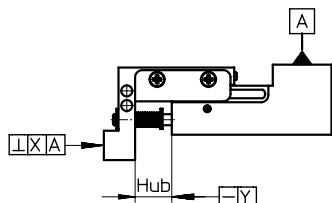
Stroke compensation (L2)	[mm]	0	2.5
Spring force	[N]	2.0	2.4

Parallelism/perpendicularity/linearity [mm]

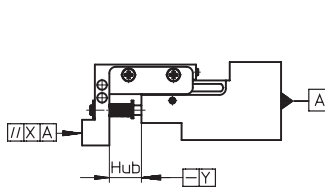
Parallelism/perpendicularity:

Accuracy of alignment between the housing mounting surface and the mounting interface on the yoke.

DGSC-6-10-P-L



DGSC-6-10-P-P



Linearity:

Maximum distance between individual points on the slide and the housing mounting surface with the drive in retracted and advanced state.

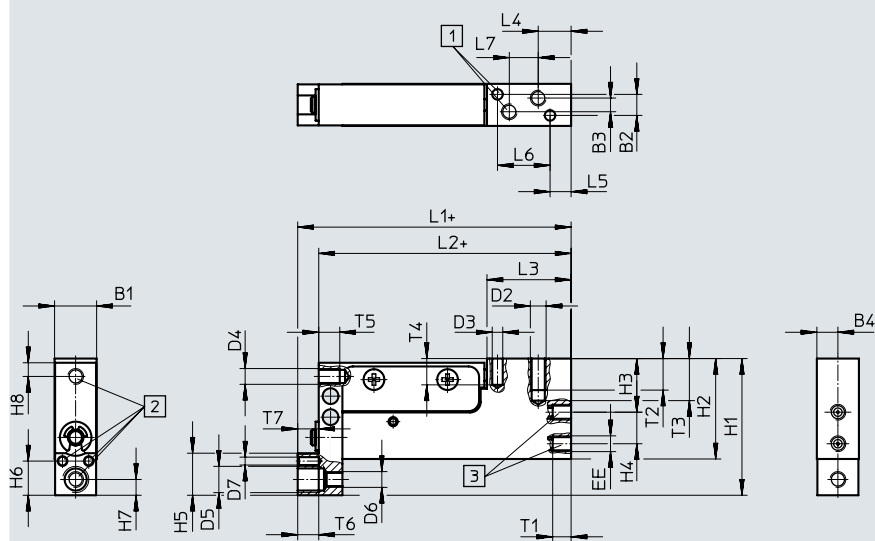
Type		DGSC-6-10-P-L	DGSC-6-10-P-P
Parallelism	[mm]	-	< 0.03
Perpendicularity	[mm]	< 0.03	-
Linearity	[mm]	< 0.01	

Data sheet

Dimensions

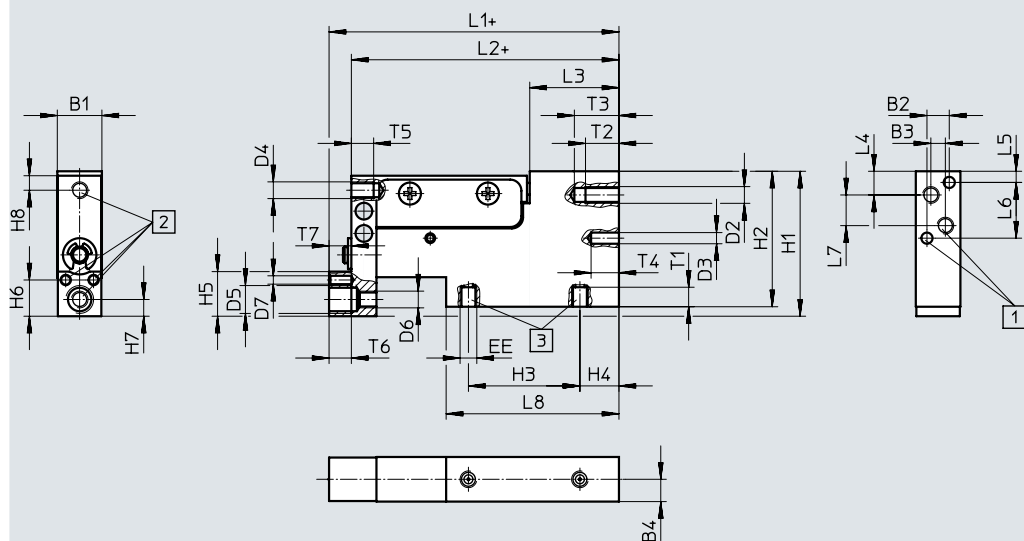
Download CAD data → www.festo.com

DGSC-6-10-P-L



- + plus stroke length
- [1] Direct mounting on the housing
- [2] Direct mounting on the slide
- [3] Supply ports

DGSC-6-10-P-P



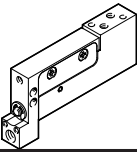
- + plus stroke length
- [1] Direct mounting on the housing
- [2] Direct mounting on the slide
- [3] Supply ports

Type	B1	B2	B3	B4	D2	D3 ∅	D4	D5	D6	D7 ∅	EE
	-0.05/-0.15	±0.02				H8				H8	
DGSC-6-10-P-L	8	4	2.6±0.1	4	M3	2	M3	M5	M3	1.5	M3
DGSC-6-10-P-P	8	4	2.6	4	M3	2	M3	M5	M3	1.5	M3



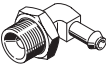

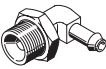
Type	H1	H2	H3	H4	H5	H6	H7	H8	L1	L2	L3
						±0.02					
DGSC-6-10-P-L	26	19.1	10.2	6	8	6.5	3	2.6	52.1	48.1	16.1
DGSC-6-10-P-P	26	24.3	20	7	8	6.5	3	2.6	52	48	16

Type	L4	L5	L6	L7	L8	T1	T2	T3	T4	T5	T6	T7
			±0.02	±0.1		max.	min.	+1	+1	min.	min.	+1
DGSC-6-10-P-L	6.35	4.1	10	5.5	-	3.5	6	8	5	4	4	4
DGSC-6-10-P-P	4.25	2	10	5.5	31	3.5	6	8	5	4	4	4

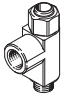
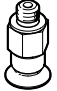
Data sheet

Ordering data		Type	Brief description	Part no.	Type
	DGSC-6-10-P-L		Supply ports in the direction of movement of the slide	569793	DGSC-6-10-P-L
	DGSC-6-10-P-P		Supply ports on the side of the housing	569792	DGSC-6-10-P-P

Accessories

Ordering data – Fitting						
Type	Connection Thread	For tubing \varnothing [mm]	Weight [g]	Part no.	Type	PU ¹⁾
For supplying compressed air to the mini slide						
Push-in fitting QSM			Data sheets → Internet: qsm			
	M3	2 (male)	0.8	133026	QSM-M3-2-I	10
	M3	3 (male)	3	133001	QSM-M3-3-I-R	
Barbed fitting CN			Data sheets → Internet: cn			
	M3	2 (female)	3	15871	CN-M3-PK-2	10
	M3	3 (female)	3	15872	CN-M3-PK-3	
Barbed elbow fitting LCN			Data sheets → Internet: lcn			
	M3	2 (female)	2	30491	LCN-M3-PK-2-B	10
	M3	3 (female)	2	30982	LCN-M3-PK-3	
For connecting vacuum or compressed air to the slide						
Push-in L-fitting QSML			Data sheets → Internet: qsml			
	M3	2 (male)	2	133030	QSML-M3-2	10
	M3	3 (male)	2	153330	QSML-M3-3	10
	M3	3 (male)	2	130768	QSML-M3-3-100	100
Barbed elbow fitting LCN			Data sheets → Internet: lcn			
	M3	2 (female)	2	30491	LCN-M3-PK-2-B	10
	M3	3 (female)	2	30982	LCN-M3-PK-3	

Data sheet

Ordering data – One-way flow control valve							
Type	Connection	Function	Weight	Part no.	Type	PU ¹⁾	
	Male thread		[g]				
For supplying compressed air to the mini slide			Data sheets → Internet: grl				
	M3	Exhaust air flow control	3	175038	GRLA-M3	1	
	M3	Supply air flow control	3	175040	GRLZ-M3		
Ordering data – Suction cup with connection							
Type	Connection		Material	Weight	Part no.	Type	PU ¹⁾
	Thread	For suction cup ø [mm]					
	M5	8	Nitrile rubber	4	34588	VAS-8-M5-NBR	1
	M5	8	Polyurethane	4	1396086	VAS-8-M5-PUR-B	
	M5	8	Silicone	2	1377781	VAS-8-M5-SI-B	

1) Packaging unit

Festo - Your Partner in Automation



1 Festo Inc.
5300 Explorer Drive
Mississauga, ON L4W 5G4
Canada

Festo Customer Interaction Center
Tel: 1 877 463 3786
Fax: 1 877 393 3786
Email: customer.service.ca@festo.com

2 Festo Pneumatic
Av. Ceylán 3,
Col. Tequesquináhuac
54020 Tlalnepantla,
Estado de México

Multinational Contact Center
01 800 337 8669
ventas.mexico@festo.com

3 Festo Corporation
1377 Motor Parkway
Suite 310
Islandia, NY 11749

Festo Customer Interaction Center
1 800 993 3786
1 800 963 3786
customer.service.us@festo.com

4 Regional Service Center
7777 Columbia Road
Mason, OH 45040

Connect with us



www.festo.com/socialmedia



www.festo.com

Subject to change