

# 317<sup>®</sup> Safety Relief Valve

ISO 9001



TOS02

T-ONE-S (MFG) TRADING INC.

Cat. Nov07



**BRONZE SAFETY RELIEF VALVE**  
 SCREWED END TO BS21, ANSI B2.1  
 DISC/SEAT: FORGED BRASS.  
 SEAL: PTFE (SVP-B27)  
 SET P.: 0.3-10 KGS/CM<sup>2</sup>. (ALT.20K)  
 SIZE: 1/2"~2" (WITHOUT LEVER)

**MODEL: SV-B27 (0.3-10K/20K)**  
**MODEL: SVP-B27 (7-10K)**



**BRONZE SAFETY RELIEF VALVE**  
 SCREWED END TO BS21, ANSI B2.1  
 DISC/SEAT: FORGED BRASS.  
 SEAL: PTFE (SVP-B29)  
 SET P.: 0.3-10 KGS/CM<sup>2</sup>. (ALT.20K)  
 SIZE: 1/2"~2" (WITH LEVER)

**MODEL: SV-B29 (0.3-10K/20K)**  
**MODEL: SVP-B29 (7-10K)**



**BRONZE SAFETY RELIEF VALVE**  
 SCREWED END TO BS21, ANSI B2.1  
 BODY: BRONZE. DISC/SEAT: SUS304.  
 SEAL: PTFE (SVP-S67)  
 SET P.: 0.3-10 KGS/CM<sup>2</sup>. (ALT.20K)  
 SIZE: 1/2"~2" (WITHOUT LEVER)

**MODEL: SV-S67 (0.3-10K/20K)**  
**MODEL: SVP-S67 (7-10K)**



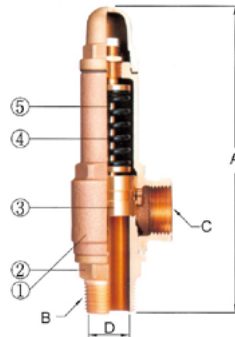
**BRONZE SAFETY RELIEF VALVE**  
 SCREWED END TO BS21, ANSI B2.1  
 BODY: BRONZE. DISC/SEAT: SUS304.  
 SEAL: PTFE (SVP-S69)  
 SET P.: 0.3-10 KGS/CM<sup>2</sup>. (ALT.20K)  
 SIZE: 1/2"~2" (WITH LEVER)

**MODEL: SV-S69 (0.3-10K/20K)**  
**MODEL: SVP-S69 (7-10K)**



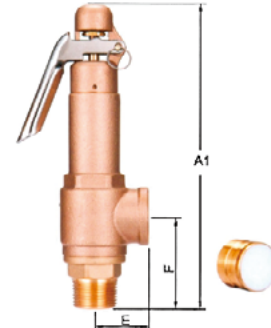
**BRONZE SAFETY RELIEF VALVE**  
 SCREWED END TO BS21, ANSI B2.1  
 DISC/SEAT: FORGED BRASS.  
 SEAL: PTFE (SVP-B9A)  
 SET P.: 0.3-10 KGS/CM<sup>2</sup>. (ALT.20/30K)  
 SIZE: 1/2"~2" (WITHOUT LEVER)

**MODEL: SV-B9A (0.3-10K/20-30K)**  
**MODEL: SVP-B9A (2-10K/20K)**



**BRONZE SAFETY RELIEF VALVE**  
 SCREWED END TO BS21, ANSI B2.1  
 DISC/SEAT: FORGED BRASS.  
 SEAL: PTFE (SVP-B9L)  
 SET P.: 0.3-10 KGS/CM<sup>2</sup>. (ALT.20/30K)  
 SIZE: 1/2"~2" (WITH LEVER)

**MODEL: SV-B9L (0.3-10K/20-30K)**  
**MODEL: SVP-B9L (2-10K/20K)**



**BRONZE SAFETY RELIEF VALVE**  
 SCREWED END TO BS21, ANSI B2.1  
 DISC/SEAT: SUS304.  
 SEAL: PTFE (SVP-BS9A)  
 SET P.: 0.3-10 KGS/CM<sup>2</sup>. (ALT.20K)  
 SIZE: 1/2"~2" (WITHOUT LEVER)

**MODEL: SV-BS9A (0.3-10K/20K)**  
**MODEL: SVP-BS9A (2-10K/20K)**



**BRONZE SAFETY RELIEF VALVE**  
 SCREWED END TO BS21, ANSI B2.1  
 DISC/SEAT: SUS304.  
 SEAL: PTFE (SVP-BS9L)  
 SET P.: 0.3-10 KGS/CM<sup>2</sup>. (ALT.20K)  
 SIZE: 1/2"~2" (WITH LEVER)

**MODEL: SV-BS9L (0.3-10K/20K)**  
**MODEL: SVP-BS9L (2-10K/20K)**



**BRONZE SAFETY RELIEF VALVE**  
 SCREWED END TO BS21, ANSI B2.1  
 DISC/SEAT: FORGED BRASS. (1\*2)  
 SEAL: PTFE (SVP-B9DA)  
 SET P.: 0.3-10 KGS/CM<sup>2</sup>. (ALT.20K)  
 SIZE: 1/2"~2" (WITHOUT LEVER)

**MODEL: SV-B9DA (0.3-10K/20K)**  
**MODEL: SVP-B9DA (2-10K/20K)**



**BRONZE SAFETY RELIEF VALVE**

SCREWED END TO BS21, ANSI B2.1  
 DISC/SEAT: FORGED BRASS. (1\*2)  
 SEAL: PTFE (SVP-B9DL)  
 SET P.: 0.3-10 KGS/CM<sup>2</sup>. (ALT.20K)  
 SIZE: 1/2"~2" (WITH LEVER)

**MODEL: SV-B9DL (0.3-10K/20K)**  
**MODEL: SVP-B9DL (2-10K/20K)**



**ST.ST.304 SAFETY RELIEF VALVE**

SCREWED END TO BS21, ANSI B2.1  
 BODY/DISC/SEAT: CF8.  
 SEAL: PTFE (SVP-S9A)  
 SET P.: 0.3-10 KGS/CM<sup>2</sup>. (ALT.20K)  
 SIZE: 1/2"~2" (WITHOUT LEVER)

**MODEL: SV-S9A (0.3-10K/20K)**  
**MODEL: SVP-S9A (2-10K/20K)**



**ST.ST.304 SAFETY RELIEF VALVE**

SCREWED END TO BS21, ANSI B2.1  
 BODY/DISC/SEAT: CF8.  
 SEAL: PTFE (SVP-S9L)  
 SET P.: 0.3-10 KGS/CM<sup>2</sup>. (ALT.20K)  
 SIZE: 1/2"~2" (WITH LEVER)

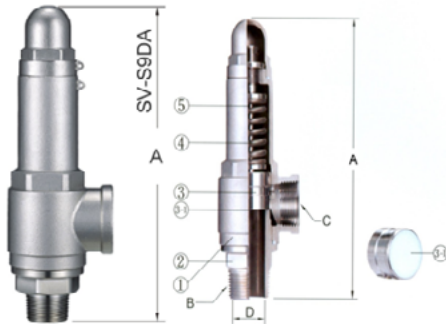
**MODEL: SV-S9L (0.3-10K/20K)**  
**MODEL: SVP-S9L (2-10K/20K)**



**ST.ST.304 SAFETY RELIEF VALVE**

SCREWED END TO BS21, ANSI B2.1  
 BODY/DISC/SEAT: CF8.(1\*2)  
 SEAL: PTFE (SVP-S9DA)  
 SET P.: 0.3-10 KGS/CM<sup>2</sup>. (ALT.20K)  
 SIZE: 1/4"~1.1/2" (WITHOUT LEVER)

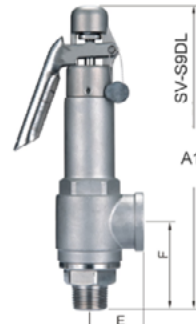
**MODEL: SV-S9DA (0.3-10K/20K)**  
**MODEL: SVP-S9DA (2-10K/20K)**



**ST.ST.304 SAFETY RELIEF VALVE**

SCREWED END TO BS21, ANSI B2.1  
 BODY/DISC/SEAT: CF8.(1\*2)  
 SEAL: PTFE (SVP-S9DL)  
 SET P.: 0.3-10 KGS/CM<sup>2</sup>. (ALT.20K)  
 SIZE: 1/4"~1.1/2" (WITH LEVER)

**MODEL: SV-S9DL (0.3-10K/20K)**  
**MODEL: SVP-S9DL (2-10K/20K)**



**ST.ST.316 SAFETY RELIEF VALVE**

SCREWED END TO BS21, ANSI B2.1  
 BODY/DISC/SEAT: CF8M. (1\*2)  
 SEAL: PTFE (SVP-S8DA)  
 SET P.: 0.3-10 KGS/CM<sup>2</sup>. (ALT.20/30K)  
 SIZE: 1/2"~2" (WITHOUT LEVER)

**MODEL: SV-S8DA (0.3-10K/20-30K)**  
**MODEL: SVP-S8DA (2-10K/20K)**



**ST.ST.316 SAFETY RELIEF VALVE**

SCREWED END TO BS21, ANSI B2.1  
 BODY/DISC/SEAT: CF8M. (1\*2)  
 SEAL: PTFE (SVP-S8DL)  
 SET P.: 0.3-10 KGS/CM<sup>2</sup>. (ALT.20/30K)  
 SIZE: 1/2"~2" (WITH LEVER)

**MODEL: SV-S8DL (0.3-10K/20-30K)**  
**MODEL: SVP-S8DL (2-10K/20K)**



**ST.ST.316 SAFETY RELIEF VALVE**

SCREWED END TO BS21, ANSI B2.1  
 BODY/DISC/SEAT: CF8M. (1\*2)  
 SEAL: PTFE (SVP-S8DA)  
 SET P.: 0.3-10 KGS/CM<sup>2</sup>. (ALT.20/30K)  
 SIZE: 1/2"~2" (WITHOUT LEVER)  
 DOUBLE FEMALE SCREWED. (FT)

**MODEL: SV-S8DA(FT) (0.3-10K/20-30K)**  
**MODEL: SVP-S8DA (FT) (2-10K/20K)**



**ST.ST.316 SAFETY RELIEF VALVE**

SCREWED END TO BS21, ANSI B2.1  
 BODY/DISC/SEAT: CF8M. (1\*2)  
 SEAL: PTFE (SVP-S8DL)  
 SET P.: 0.3-10 KGS/CM<sup>2</sup>. (ALT.20/30K)  
 SIZE: 1/2"~2" (WITH LEVER)  
 DOUBLE FEMALE SCREWED. (FT)

**MODEL: SV-S8DL(FT) (0.3-10K/20-30K)**  
**MODEL: SVP-S8DL(FT) (2-10K/20K)**



**BRONZE SAFETY RELIEF VALVE**

SCREWED END TO BS21, ANSI B2.1  
 DISC/SEAT: FORGED BRASS.  
 SEAL: PTFE  
 SET P.: 2-10 KGS/CM<sup>2</sup>. (ALT.20K)  
 SIZE: 1/2"~2" (WITH HANDLEWHEEL)  
 BEST FOR OIL AND WATER

**MODEL: SVP-HB9A (2-10K/20K)**



**BRONZE SAFETY RELIEF VALVE**

SCREWED END TO BS21, ANSI B2.1  
 DISC: FORGED BRASS  
 SEAT: BRONZE. SEAL: METAL  
 SET P.: 0.3-10 KGS/CM<sup>2</sup>. (ALT.12K)  
 SIZE: 2.1/2" & 3" (WITHOUT LEVER)  
 NONCORROSIVE GAS; AIR, STEAM.

**MODEL: SV-WB9A (0.3-10K/12K)**



**BRONZE SAFETY RELIEF VALVE**

SCREWED END TO BS21, ANSI B2.1  
 DISC/SEAT: FORGED BRASS.  
 SEAL: METAL  
 SET P.: 9-11 KGS/CM<sup>2</sup>.  
 SIZE: 1/4"~3/4" (WITHOUT LEVER)  
 BEST FOR COMPRESSOR AIR

**MODEL: SV-L1 (9-11K)**



**BRONZE SAFETY RELIEF VALVE**

SCREWED END TO BS21, ANSI B2.1  
 DISC/SEAT: FORGED BRASS  
 SEAL: VITON.  
 SET P.: 0.3-7 KGS/CM<sup>2</sup>.  
 SIZE: 3/4" (WITH LEVER)  
 BEST FOR WATER, AIR, STEAM.

**MODEL: SV-WATT (0.3-7K)**



**ST.ST.316 SAFETY RELIEF VALVE**

INLET FLANGE / OUTLET FLANGE.  
 FLANGED END TO JIS 10K OR ANSI  
 150 LBS. DRILLED.BODY/DISC/SEAT:  
 CF8M. (1\*2) SEAL: PTFE (SVP-S8DAFF)  
 SET P.: 0.3-10 KGS/CM<sup>2</sup>. (ALT.20K)  
 SIZE: 1/2"~2" (WITHOUT LEVER)

**MODEL: SV-S8DAFF (0.3-10K/20K)**  
**MODEL: SVP-S8DAFF (2-10K/20K)**



**ST.ST.316 SAFETY RELIEF VALVE**

INLET FLANGE / OUTLET FLANGE.  
 FLANGED END TO JIS 10K OR ANSI  
 150 LBS. DRILLED.BODY/DISC/SEAT:  
 CF8M. (1\*2) SEAL: PTFE (SVP-S8DLFF)  
 SET P.: 0.3-10 KGS/CM<sup>2</sup>. (ALT.20K)  
 SIZE: 1/2"~2" (WITH LEVER)

**MODEL: SV-S8DLFF (0.3-10K/20K)**  
**MODEL: SVP-S8DLFF (2-10K/20K)**



**CAST IRON SAFETY RELIEF VALVE**

SCREWED END TO BS21, ANSI B2.1  
 DISC/SEAT: SUS304.  
 SET: 1 ~ 10 KGS/CM<sup>2</sup>.  
 SIZE: 1/2"~2" (WITHOUT LEVER)  
 ALT. BODY: SUS 304 / SUS 316.  
 S34-A / S36-A (1~20 KGS/CM<sup>2</sup>)

**MODEL: S3S-A / S34-A / S36-A**



**CAST IRON SAFETY RELIEF VALVE**

SCREWED END TO BS21, ANSI B2.1  
 DISC/SEAT: SUS304.  
 SET: 1 ~ 10 KGS/CM<sup>2</sup>.  
 SIZE: 1/2"~2" (WITH LEVER)  
 ALT. BODY: SUS 304 / SUS 316.  
 S34-LR / S36-LR (1~20 KGS/CM<sup>2</sup>)

**MODEL: S3S-LR / S34-LR / S36-LR**



**CAST IRON SAFETY RELIEF VALVE**

FLANGED END TO JIS 10K OR ANSI  
 150 LBS. DRILLED. DISC: SUS304.  
 SET P.: 1 ~ 10 KGS/CM<sup>2</sup>.  
 SIZE: 1"~8" (WITHOUT LEVER)  
 ALT. BODY: SUS 304 / SUS 316.  
 S34F-A / S36F-A (1~20 KGS/CM<sup>2</sup>)

**MODEL: S3F-A / S34F-A / S36F-A**



**BRONZE SAFETY RELIEF VALVE**

FLANGED END TO JIS 10K OR ANSI  
150 LBS. DRILLED. DISC: SUS304.  
SET P.: 1 ~ 10 KGS/CM<sup>2</sup>.  
SIZE: 1"~8" (WITH LEVER)  
ALT. BODY: SUS 304 / SUS 316.  
S34F-LR / S36F-LR (1~20 KGS/CM<sup>2</sup>)

**MODEL: S3F-LR/ S34F-LR / S36F-LR**



**ST.ST.316 SAFETY RELIEF VALVE**

INLET: MALE / OUTLET: FEMALE  
SCREWED END TO BS21, ANSI B2.1  
BODY/DISC/SEAT: SUS316. (1\*1)  
SET P.: 3.5, 7, 10 KGS/CM<sup>2</sup>.  
SIZE: 1/2"~2" (WITHOUT LEVER)

**MODEL: SS316-S67 (MF) W/O LEVE**



**ST.ST.316 SAFETY RELIEF VALVE**

INLET / OUTLET: FEMALE.  
SCREWED END TO BS21, ANSI B2.1  
BODY/DISC/SEAT: SUS316. (1\*1)  
SET P.: 3.5, 7, 10 KGS/CM<sup>2</sup>.  
SIZE: 1/2"~2" (WITHOUT LEVER)

**MODEL: SS316-S87 (FF) W/O LEVER**



**ST.ST.316 SAFETY RELIEF VALVE**

INLET / OUTLET: FEMALE.  
SCREWED END TO BS21, ANSI B2.1  
BODY/DISC/SEAT: SUS316. (1\*1)  
SET P.: 3.5, 7, 10 KGS/CM<sup>2</sup>.  
SIZE: 1/2"~2" (WITH LEVER)

**MODEL: SS316-S89 (FF)**



**FULL BORE SAFETY RELIEF VALVE**

SCREWED END TO BS21, ANSI B2.1  
 BODY/SEAT: CF8M. (1\*2)  
 DISC/SEAL: SUS316+PTFE.  
 SET P.: 2-10 KGS/CM<sup>2</sup>. (ALT.16K)  
 SIZE: 3/4"~2" (WITHOUT LEVER)

**MODEL: SVPF-S6A (2-10K/16K)**



**FULL BORE SAFETY RELIEF VALVE**

SCREWED END TO BS21, ANSI B2.1  
 BODY/SEAT: CF8M. (1\*2)  
 DISC/SEAL: SUS316+PTFE.  
 SET P.: 2-10 KGS/CM<sup>2</sup>. (ALT.16K)  
 SIZE: 3/4"~2" (WITH LEVER)

**MODEL: SVPF-S6L (2-10K/16K)**



**FULL BORE SAFETY RELIEF VALVE**

SCREWED END TO BS21, ANSI B2.1  
 BODY: BRONZE.  
 DISC/SEAL: SUS304+PTFE.  
 SEAT: FORGED BRASS. (1\*2)  
 SET P.: 2-13 KGS/CM<sup>2</sup>.  
 SIZE: 1"~1.1/4" (WITH LEVER)

**MODEL: SVPF-B2L (2-13K)**



**FULL BORE SAFETY RELIEF VALVE**

FLANGED END TO JIS 10K OR ANSI  
 150 LBS. DRILLED BODY/SEAT: CF8M.  
 (1\*2) DISC/SEAL: SUS316+PTFE.  
 SET P.: 2-10 KGS/CM<sup>2</sup>. (ALT.16K)  
 SIZE: 3/4"~2" (WITHOUT LEVER)

**INLET FLANGE / OUTLET FLANGE.  
 MODEL: SVPF-S6AF (2-10K/16K)**



**FULL BORE SAFETY RELIEF VALVE**

FLANGED END TO JIS 10K OR ANSI  
 150 LBS. DRILLED BODY/SEAT: CF8M.  
 (1\*2) DISC/SEAL: SUS316+PTFE.  
 SET P.: 2-10 KGS/CM<sup>2</sup>. (ALT.16K)  
 SIZE: 3/4"~2" (WITH LEVER)

**INLET FLANGE / OUTLET FLANGE.  
 MODEL: SVPF-S6LF (2-10K/16K)**



**BODY/SEAT: CF8M. (1\*2)  
 DISC/SEAL: SUS316+PTFE.**

**FULL BORE SAFETY RELIEF VALVE**

SCREWED END TO BS21, ANSI B2.1  
 BODY: FC. SEAT: CF8. (1\*2)  
 DISC/SEAL: SUS304+PTFE.  
 SET P.: 1-10 KGS/CM<sup>2</sup>. (ALT.16K)  
 SIZE: 1"~2" (WITHOUT LEVER)

**INLET SCREW / OUTLET SCREW.  
 MODEL: SVPF-10SA (1-10K/16K)**



**FULL BORE SAFETY RELIEF VALVE**

SCREWED END TO BS21, ANSI B2.1  
 BODY: FC. SEAT: CF8. (1\*2)  
 DISC/SEAL: SUS304+PTFE.  
 SET P.: 1-10 KGS/CM<sup>2</sup>. (ALT.16K)  
 SIZE: 1"~2" (WITH LEVER)

**INLET SCREW / OUTLET SCREW.  
 MODEL: SVPF-10SLR (1-10K/16K)**



**BODY: FC. SEAT: CF8. (1\*2)  
 DISC/SEAL: SUS304+PTFE.**



**FULL BORE SAFETY RELIEF VALVE**

FLANGED 10K/150 TO SCREWED END  
 BODY: FC. SEAT: CF8. (1\*2)  
 DISC/SEAL: SUS304+PTFE.  
 SET P.: 1-10 KGS/CM<sup>2</sup>. (ALT.16K)  
 SIZE: 1"~2" (WITHOUT LEVER)  
 ALT. SIZE: (1\*2)

**INLET FLANGE / OUTLET SCREW.**  
**MODEL: SVPF-12SA (1-10K/16K)**



**FULL BORE SAFETY RELIEF VALVE**

FLANGED 10K/150 TO SCREWED END  
 BODY: FC. SEAT: CF8. (1\*2)  
 DISC/SEAL: SUS304+PTFE.  
 SET P.: 1-10 KGS/CM<sup>2</sup>. (ALT.16K)  
 SIZE: 1"~2" (WITH LEVER)  
 ALT. SIZE: (1\*2)

**INLET FLANGE / OUTLET SCREW.**  
**MODEL: SVPF-12SLR (1-10K/16K)**



**BODY: FC. SEAT: CF8. (1\*2)**  
**DISC/SEAL: SUS304+PTFE**

**FULL BORE SAFETY RELIEF VALVE**

SCREWED END TO BS21, ANSI B2.1  
 BODY/DISC/SEAT: CF8. (1\*2)  
 SEAL: PTFE (SVPF-14SA)  
 SET P.: 1-10 KGS/CM<sup>2</sup>. (ALT.16K)  
 SIZE: 1.1/2"~2" (WITHOUT LEVER)

**INLET SCREW / OUTLET SCREW.**  
**MODEL: SVF-14SA (1-10K/16K)**  
**MODEL: SVPF-14SA (1-10K/16K)**



**FULL BORE SAFETY RELIEF VALVE**

SCREWED END TO BS21, ANSI B2.1  
 BODY/DISC/SEAT: CF8. (1\*2)  
 SEAL: PTFE (SVPF-14SLR)  
 SET P.: 1-10 KGS/CM<sup>2</sup>. (ALT.16K)  
 SIZE: 1.1/2"~2" (WITH LEVER)

**INLET SCREW / OUTLET SCREW.**  
**MODEL: SVF-14SLR (1-10K/16K)**  
**MODEL: SVPF-14SLR (1-10K/16K)**



**BODY/SEAT: CF8. (1\*2)**  
**DISC/SEAL: SUS304+PTFE**

**FULL BORE SAFETY RELIEF VALVE**

FLANGED 10K/150 TO SCREWED END  
 BODY/DISC/SEAT: CF8. (1\*2)  
 SEAL: PTFE (SVPF-16SA)  
 SET P.: 1-10 KGS/CM<sup>2</sup>. (ALT.16K)  
 SIZE: 1.1/2"~2" (WITHOUT LEVER)

**INLET FLANGE / OUTLET SCREW.**  
**MODEL: SVF-16SA (1-10K/16K)**  
**MODEL: SVPF-16SA (1-10K/16K)**



**FULL BORE SAFETY RELIEF VALVE**

FLANGED 10K/150 TO SCREWED END  
 BODY/DISC/SEAT: CF8. (1\*2)  
 SEAL: PTFE (SVPF-16SLR)  
 SET P.: 1-10 KGS/CM<sup>2</sup>. (ALT.16K)  
 SIZE: 1.1/2"~2" (WITH LEVER)

**INLET FLANGE / OUTLET SCREW.**  
**MODEL: SVF-16SLR (1-10K/16K)**  
**MODEL: SVPF-16SLR (1-10K/16K)**



**BODY/SEAT: CF8. (1\*2)**  
**DISC/SEAL: SUS304+PTFE**

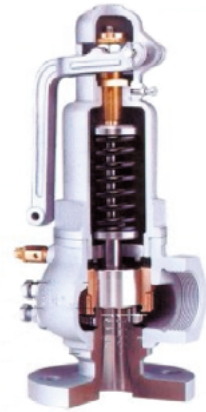
**FULL BORE SAFETY RELIEF VALVE**

FLANGED - SCREWED END.  
 SCREWED END TO BS21, ANSI B2.1  
 BODY: FC. (1\*2) DISC: SUS304  
 SEAT: SUS304 / SUS316.  
 SET P.: 20 KGS/CM<sup>2</sup>. (300 PSI)  
 SIZE: 1/2"~2" (WITHOUT LEVER)  
**ALT. BODY: SCS13 / SCS14. (1\*2)**  
**MODEL: SVF-20SA (20K)**



**FULL BORE SAFETY RELIEF VALVE**

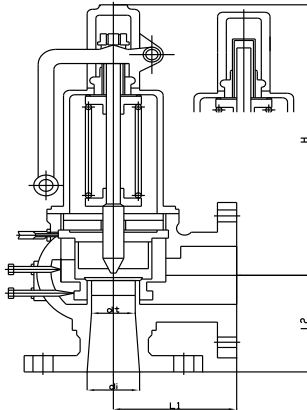
FLANGED - SCREWED END.  
 SCREWED END TO BS21, ANSI B2.1  
 BODY: FC. (1\*2) DISC: SUS304  
 SEAT: SUS304 / SUS316.  
 SET P.: 20 KGS/CM<sup>2</sup>. (300 PSI)  
 SIZE: 1/2"~2" (WITH LEVER)  
**ALT. BODY: SCS13 / SCS14. (1\*2)**  
**MODEL: SVF-20SLR (20K)**



**FULL BORE SAFETY RELIEF VALVE**

FLANGED - FLANGED END.  
 BODY: SCS13 / SCS14. (1\*2)  
 SEAT: SUS304 / SUS316.  
 SET P.: 10-20 KGS/CM<sup>2</sup>. (300 PSI)  
 SIZE: 1/2"~2"

**MODEL: SVF-20FA(20K)**  
**MODEL: SVF-20FLR (20K)**



**FULL BORE SAFETY RELIEF VALVE**

FLANGED - FLANGED END.  
 BODY: FC / WCB / SCS13 / SCS14. (1\*2)  
 SEAT: SUS304 / SUS316.  
 SET P.: 10-30 KGS/CM<sup>2</sup>. (450 PSI)  
 SIZE: 1"~12"

**MODEL: SVF-450A (30K)**  
**MODEL: SVF-450LR (30K)**



**FULL BORE SAFETY RELIEF VALVE**

FLANGED - FLANGED END.  
 BODY: WCB / SCS13 / SCS14. (1\*2)  
 SEAT: SUS304 / SUS316.  
 SET P.: 10-60 KGS/CM<sup>2</sup>. (900 PSI)  
 SIZE: 1/2"~4"

**MODEL: SVF-600A (WITHOUT)**  
**MODEL: SVF-600LR (WITH LEVER)**

