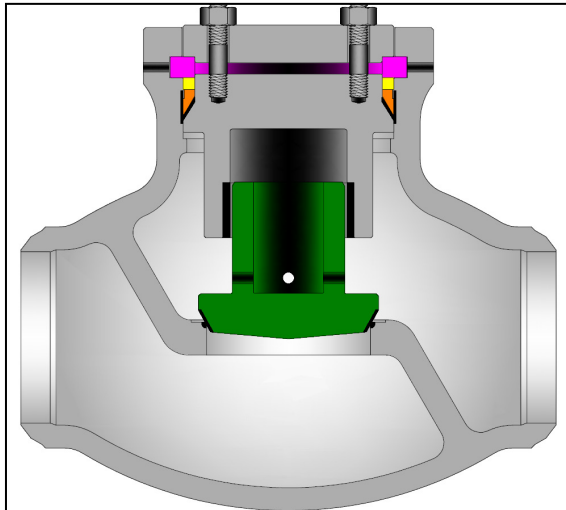


PRESSURE SEAL LIFT CHECK VALVES

CAST CARBON, STAINLESS STEEL OR ALLOY STEEL

3 - 12" (80 - 300 mm)

ASME CLASSES 600 - 2500



Class	Figure Number
600	1665
900	1965
1500	1165
2500	1265

STANDARD MATERIALS (Other materials available)

PART	MATERIALS			
Body	A216 Gr. WCB	A217 Gr. WC6	A217 Gr. WC9	A217 Gr. C12A
Bonnet	A105	A182 F11	A182 F22	A182 F91
Cap	A216 Gr. WCB	A217 Gr. WC6	A217 Gr. WC9	A217 Gr. C12A
Disc	A105 or A216 WCB + Stellite 6 Faced	A182 F11 or A217 WC6 + Stellite 6 Faced	A182 F22 or A217 WC9 + Stellite 6 Faced	A182 F91 or A217 Gr. C12A + Stellite 6 Faced
Seat Ring	Carbon Steel + Stellite 6 Faced	A182 F11 + Stellite 6 Faced	A182 F22 + Stellite 6 Faced	A182 F91 + Stellite 6 Faced
Protective Ring	SST 410			
Segmental Thrust Ring	SST 410			
Gasket	SST 304L			
Bonnet Stud	A193 Gr. B7	A193 Gr. B16		
Bonnet Nut	A194 Gr. 2H	A194 Gr. 7		

DESIGN FEATURES:

- Standard trim is stellite faced seat and disc seat surfaces (API trim 5). Other trims available on request.
- Valves are full port design per ASME B16.34 table A-1.
- Seat faces lapped for smooth finish and superior sealing.
- Wall thickness per heavy wall API 600 requirements.
- Body and cap joint accurately machined. Gasket details on page 6.
- Each valve is shell and seat pressure tested per industry standard API 598.
- Application: These valves can be used in horizontal line with cap vertical only.
- Weld end valves are B16.10 short pattern design. Flanged end valves are available on request and are B16.10 long-pattern design. Weld end valve dimensions given in table on next page.
- Each valve has a unique certification number that is traceable to the valve certification sheet which includes MTR data, pressure test, inspection result and certificate of conformance.
- Other available options as follows:
 - » Alternate valve materials such as chrome and stainless steel alloys
 - » Alternate trim materials
 - » Drain and other auxiliary connections
 - » NACE service
 - » Special cleaning for applications such as oxygen or chlorine
 - » Other options available as specified

Design Specifications

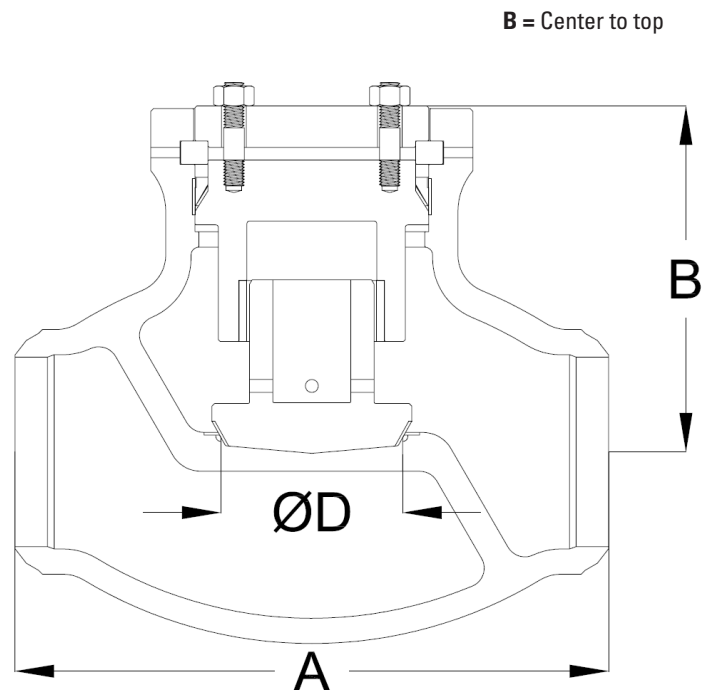
Item	Applicable Specification
Wall thickness	API 600
Pressure - temperature ratings	ASME B16.34
General valve design	ASME B16.34
End to End dimensions	ASME B16.10
Flange design	ASME B16.5
Butt Weld design	ASME B16.25
Materials	ASTM

LIFE CHECK VALVE DIMENSIONS

(CLASSES 600 - 2500)

SIZE	ASME 600			ASME 900			ASME 1500		
	in	A	B	D	A	B	D	A	B
3	10	8.3	3.00	12	8.3	2.87	12	8.5	2.75
80	254	211	76	305	211	73	305	216	70
4	12	10.3	4.00	14	11.3	3.87	16	11.3	3.62
100	305	262	102	356	287	98	406	287	92
6	18	17.3	6.00	20	17.3	5.75	22	17.5	5.37
150	457	439	152	508	439	146	559	445	136
8	23	18.8	7.87	26	20.0	7.50	28	21.0	7.00
200	584	478	200	660	508	191	711	533	178
10	28	23.3	9.75	31	24.5	9.37	34	25.0	8.75
250	711	592	248	787	622	238	864	635	222
12	32	28.0	11.75	36	28.0	11.12	39	29.0	10.37
300	813	711	298	914	711	282	991	737	263

SIZE	ASME 2500		
	in	A	B
3	14.5	12.5	2.25
80	368	318	57
4	18.0	15.0	2.87
100	457	381	73
6	24.0	18.3	4.37
150	610	465	111
8	30.0	22.5	5.75
200	762	572	146
10	36.0	25.5	7.25
250	914	648	184
12	41.0	30.0	8.62
300	1041	762	219



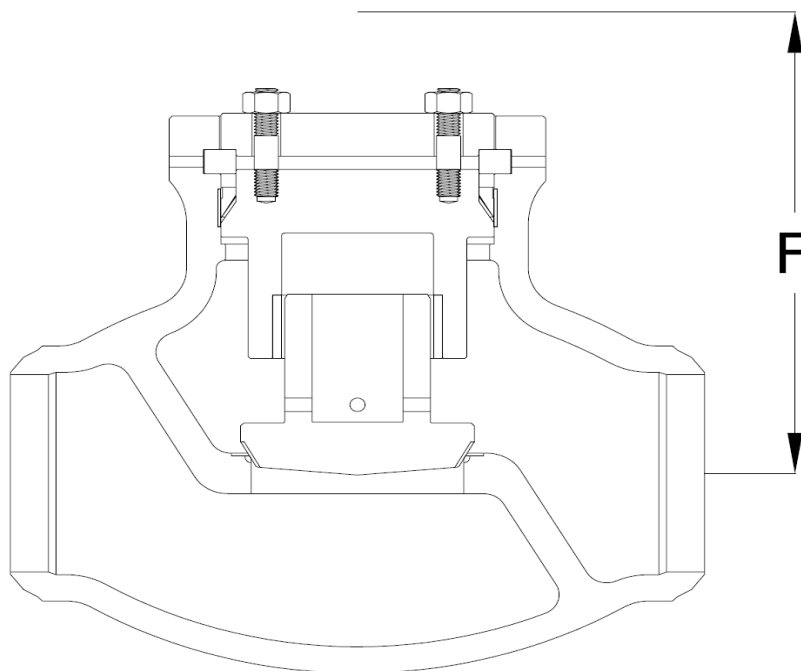
PRESSURE SEAL LIFT CHECK VALVES

CAST CARBON, STAINLESS STEEL OR ALLOY STEEL

3 - 12" (80 - 300 mm)

ASME CLASSES 600 - 2500

SIZE	ASME 600					ASME 900					ASME 1500					ASME 2500				
	in mm	F	in mm	WT	lb kg	CV	F	in mm	WT	lb kg	CV	F	in mm	WT	lb kg	CV	F	in mm	WT	lb kg
3	12.7		86		110	12.7		93		100	13.0		166		90	19.0		294		60
80	323		39			323		42			330		75			483		133		
4	15.7		109		200	17.2		138		190	17.2		241		160	23.0		483		100
100	399		49			437		62			437		109			584		219		
6	26.2		273		480	26.5		518		440	26.8		760		380	28.0		926		250
150	665		124			673		235			681		345			711		420		
8	28.7		641		850	30.5		814		770	32.0		1994		670	34.5		2778		450
200	729		291			775		369			813		904			876		1260		
10	35.7		1091		1300	37.3		1820		1200	39.0		3154		1000	41.0		3512		720
250	907		495			947		825			991		1430			1041		1593		
12	42.8		1495		2000	42.8		2392		1800	46.0		4076		1500	47.0		4878		1100
300	1087		678			1087		1085			1168		1849			1194		2212		



F = Dismantling dimension

WT = Weight

CV = Flow coefficient