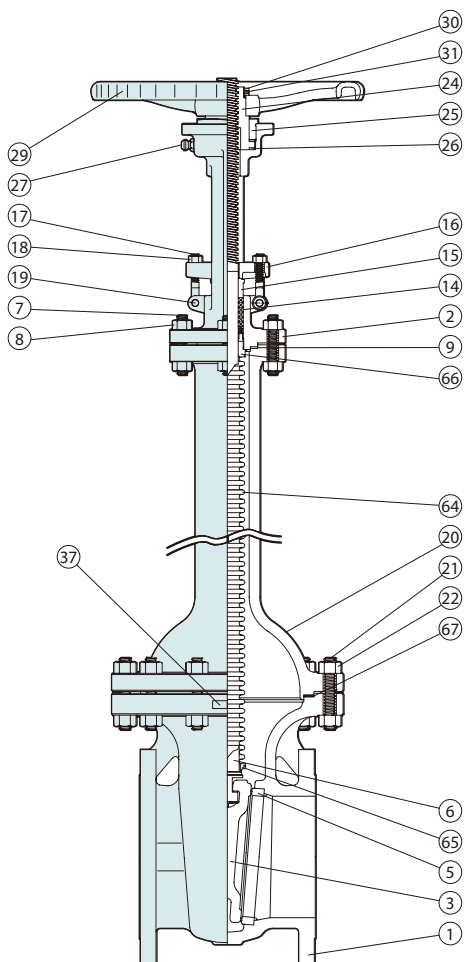


## BELLOWS SEAL GATE VALVES – BOLTED BONNET – FULL PORT – HANDWHEEL TYPE



| NO. | Parts            | Material                      | A.S.T.M  |
|-----|------------------|-------------------------------|----------|
| 1   | Body             | Cast Steel                    | A216-WCB |
| 2   | Bonnet           | Cast Steel                    | A216-WCB |
| 3   | Wedge            | Stellite 6 faced A216-WCB     |          |
| 5   | Seat Ring        | Stellite 6 faced Carbon Steel |          |
| 6   | Stem             | 13Cr Stainless Steel          | A276-410 |
| 7   | Bonnet Bolt      | Alloy Steel                   | A193-B7M |
| 8   | Bonnet Nut       | Carbon Steel                  | A194-2HM |
| 9   | Bonnet Gasket    | 304 Spiral Wound Graphite     |          |
| 14  | Gland Packing    | Graphoil                      |          |
| 15  | Gland            | 13Cr Stainless Steel          | A276-410 |
| 16  | Gland Flange     | Carbon Steel                  |          |
| 17  | Eye Bolt         | Carbon Steel                  | A668-C   |
| 18  | Eye Bolt Nut     | Carbon Steel                  | A563A    |
| 19  | Eye Bolt Pin     | Carbon Steel                  |          |
| 20  | Connector        | Cast Steel                    | A216-WCB |
| 21  | Connector Bolt   | Alloy Steel                   | A193-B7M |
| 22  | Connector Nut    | Carbon Steel                  | A194-2HM |
| 24  | Yoke Sleeve      | Ductile Iron                  | A439-D2C |
| 25  | Yoke Cap         | Carbon Steel                  |          |
| 26  | Thrust Bearing   | Commercial (12" only)         |          |
| 27  | Grease Nipple    | Cr Plated Carbon Steel        |          |
| 29  | Handwheel        | Ductile Iron                  | A395     |
| 30  | Wheel Nut        | Carbon Steel                  | A563A    |
| 31  | Set Screw        | Commercial                    |          |
| 37  | Name Plate       | Stainless Steel               | 304SS    |
| 64  | Bellows          | Stainless Steel               | 321SS    |
| 65  | End Fitting      | Stainless Steel               | A276-316 |
| 66  | Backseat Ring    | Stainless Steel               | A276-316 |
| 67  | Connector Gasket | 304 Spiral Wound Graphite     |          |

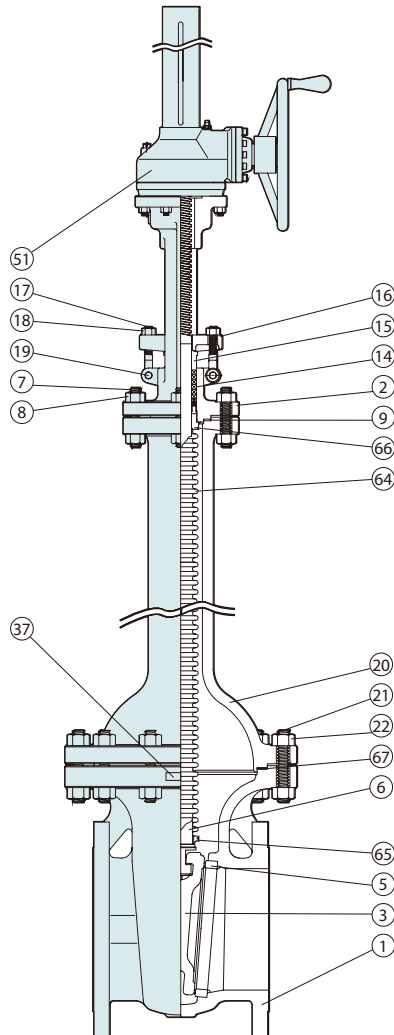
- UP to 4" : Solid Wedge
- 6" & above : Flexible Wedge
- 13Cr SS : 13Chrome Stainless Steel
- Round Bonnet fully encapsulated Gasket

### CLASS 150 - API 600

Unit : mm(inch)

| Valve Size | Handwheel Diameter | Center to Top (Open) | Dia. of Port Openings | Face to Face | Weight Kg(Lb) |
|------------|--------------------|----------------------|-----------------------|--------------|---------------|
| 2          | 250 (9.84)         | 625 (24.61)          | 50 ( 1.97)            | 178 ( 7.00)  | 35 ( 77)      |
| 2 1/2      | 250 (9.84)         | 690 (27.17)          | 63 ( 2.48)            | 190 ( 7.50)  | 45 ( 99)      |
| 3          | 250 (9.84)         | 800 (31.50)          | 76 ( 2.99)            | 203 ( 8.00)  | 57 (126)      |
| 4          | 315 (12.40)        | 960 (37.80)          | 100 ( 3.94)           | 229 ( 9.00)  | 75 (165)      |
| 6          | 355 (13.98)        | 1120 (44.10)         | 150 ( 5.91)           | 267 (10.50)  | 105 (232)     |
| 8          | 355 (13.98)        | 1350 (53.15)         | 200 ( 7.87)           | 292 (11.50)  | 160 (353)     |
| 10         | 450 (17.72)        | 1675 (65.95)         | 254 (10.00)           | 330 (13.00)  | 220 (485)     |
| 12         | 500 (19.69)        | 1830 (72.05)         | 305 (12.01)           | 356 (14.00)  | 340 (750)     |

## BELLOWS SEAL GATE VALVES - BOLTED BONNET - FULL PORT - GEAR OPERATED



| NO. | Parts            | Material                      | A.S.T.M  |
|-----|------------------|-------------------------------|----------|
| 1   | Body             | Cast Steel                    | A216-WCB |
| 2   | Bonnet           | Cast Steel                    | A216-WCB |
| 3   | Wedge            | Stellite 6 faced A216-WCB     |          |
| 5   | Seat Ring        | Stellite 6 faced Carbon Steel |          |
| 6   | Stem             | 13Cr Stainless Steel          | A276-410 |
| 7   | Bonnet Bolt      | Alloy Steel                   | A193-B7M |
| 8   | Bonnet Nut       | Carbon Steel                  | A194-2HM |
| 9   | Bonnet Gasket    | 304 Spiral Wound Graphite     |          |
| 14  | Gland Packing    | Graphoil                      |          |
| 15  | Gland            | 13Cr Stainless Steel          | A276-410 |
| 16  | Gland Flange     | Carbon Steel                  |          |
| 17  | Eye Bolt         | Carbon Steel                  | A668-C   |
| 18  | Eye Bolt Nut     | Carbon Steel                  | A563A    |
| 19  | Eye Bolt Pin     | Carbon Steel                  |          |
| 20  | Connector        | Cast Steel                    | A216-WCB |
| 21  | Connector Bolt   | Alloy Steel                   | A193-B7M |
| 22  | Connector Nut    | Carbon Steel                  | A194-2HM |
| 37  | Name Plate       | Stainless Steel               | 304SS    |
| 51  | Gear Box         | Commercial                    |          |
| 64  | Bellows          | Stainless Steel               | 321SS    |
| 65  | End Fitting      | Stainless Steel               | A276-316 |
| 66  | Backseat Ring    | Stainless Steel               | A276-316 |
| 67  | Connector Gasket | 304 Spiral Wound Graphite     |          |

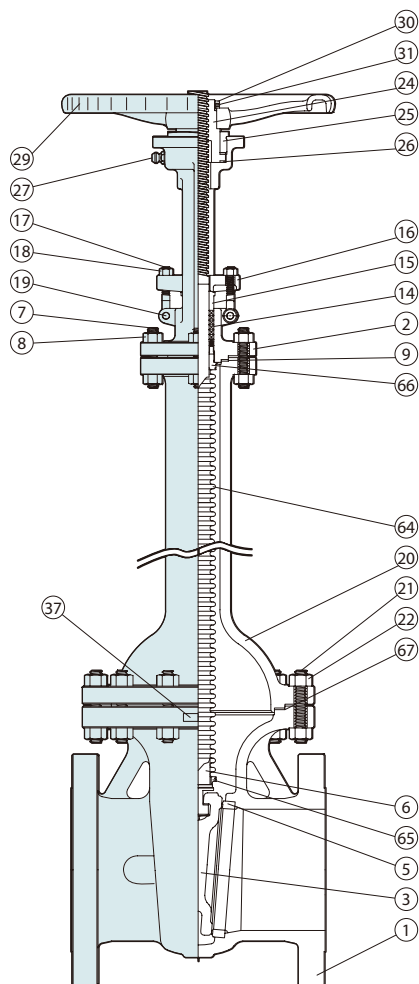
- UP to 4" : Solid Wedge
- 6" & above : Flexible Wedge
- 13Cr SS : 13Chrome Stainless Steel
- Round Bonnet fully encapsulated Gasket

### CLASS 150 - API 600

Unit : mm(inch)

| Valve Size | Handwheel Diameter | Center to Top | Dia. of Port Openings | Face to Face | Weight Kg(Lb) |
|------------|--------------------|---------------|-----------------------|--------------|---------------|
| 8          | 300 (11.81)        | 1585 ( 62.40) | 200 ( 7.87)           | 292 (11.50)  | 170 ( 375)    |
| 10         | 400 (15.75)        | 1860 ( 73.23) | 254 (10.00)           | 330 (13.00)  | 230 ( 507)    |
| 12         | 400 (15.75)        | 1960 ( 77.17) | 305 (12.01)           | 356 (14.00)  | 350 ( 772)    |
| 14         | 400 (15.75)        | 2155 ( 84.84) | 337 (13.27)           | 381 (15.00)  | 450 ( 992)    |
| 16         | 500 (19.69)        | 2430 ( 95.67) | 388 (15.28)           | 406 (16.00)  | 550 (1213)    |
| 18         | 500 (19.69)        | 2810 (110.63) | 439 (17.28)           | 432 (17.00)  | 800 (1764)    |
| 20         | 630 (24.80)        | 3210 (126.38) | 489 (19.25)           | 457 (18.00)  | 990 (2183)    |
| 24         | 630 (24.80)        | 3600 (141.73) | 591 (23.27)           | 508 (20.00)  | 1500 (3308)   |

## BELLOWS SEAL GATE VALVES – BOLTED BONNET – FULL PORT – HANDWHEEL TYPE



| NO. | Parts            | Material                      | A.S.T.M  |
|-----|------------------|-------------------------------|----------|
| 1   | Body             | Cast Steel                    | A216-WCB |
| 2   | Bonnet           | Cast Steel                    | A216-WCB |
| 3   | Wedge            | Stellite 6 faced A216-WCB     |          |
| 5   | Seat Ring        | Stellite 6 faced Carbon Steel |          |
| 6   | Stem             | 13Cr Stainless Steel          | A276-410 |
| 7   | Bonnet Bolt      | Alloy Steel                   | A193-B7M |
| 8   | Bonnet Nut       | Carbon Steel                  | A194-2HM |
| 9   | Bonnet Gasket    | 304 Spiral Wound Graphite     |          |
| 14  | Gland Packing    | Graphoil                      |          |
| 15  | Gland            | 13Cr Stainless Steel          | A276-410 |
| 16  | Gland Flange     | Carbon Steel                  |          |
| 17  | Eye Bolt         | Carbon Steel                  | A668-C   |
| 18  | Eye Bolt Nut     | Carbon Steel                  | A563A    |
| 19  | Eye Bolt Pin     | Carbon Steel                  |          |
| 20  | Connector        | Cast Steel                    | A216-WCB |
| 21  | Connector Bolt   | Alloy Steel                   | A193-B7M |
| 22  | Connector Nut    | Carbon Steel                  | A194-2HM |
| 24  | Yoke Sleeve      | Ductile Iron                  | A439-D2C |
| 25  | Yoke Cap         | Carbon Steel                  |          |
| 26  | Thrust Bearing   | Commercial (10" & over)       |          |
| 27  | Grease Nipple    | Cr Plated Carbon Steel        |          |
| 29  | Handwheel        | Ductile Iron                  | A395     |
| 30  | Wheel Nut        | Carbon Steel                  | A563A    |
| 31  | Set Screw        | Commercial                    |          |
| 37  | Name Plate       | Stainless Steel               | 304SS    |
| 64  | Bellows          | Stainless Steel               | 321SS    |
| 65  | End Fitting      | Stainless Steel               | A276-316 |
| 66  | Backseat Ring    | Stainless Steel               | A276-316 |
| 67  | Connector Gasket | 304 Spiral Wound Graphite     |          |

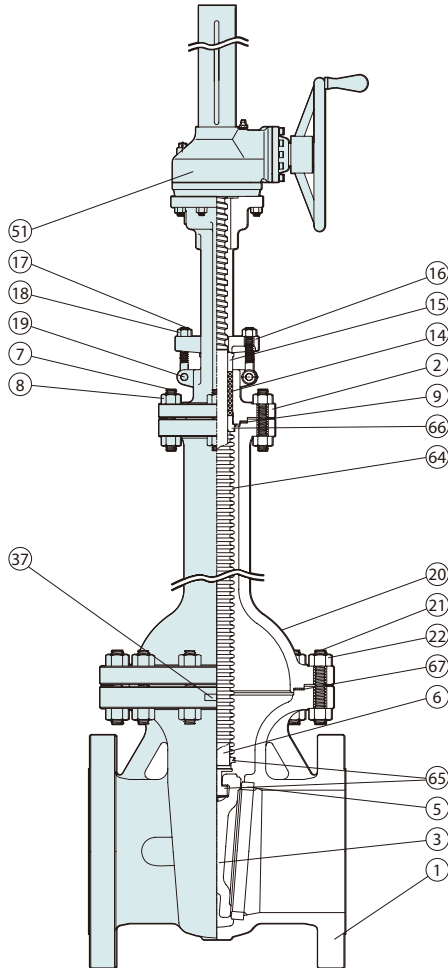
- UP to 4" : Solid Wedge
- 6" & above : Flexible Wedge
- 13Cr SS : 13Chrome Stainless Steel

### CLASS 300 - API 600

Unit : mm(inch)

| Valve Size | Handwheel Diameter | Center to Top (Open) | Dia. of Port Openings | Face to Face | Weight Kg(Lb) |
|------------|--------------------|----------------------|-----------------------|--------------|---------------|
| 2          | 250 ( 9.84)        | 625 (24.61)          | 50 ( 1.97)            | 216 ( 8.50)  | 40 ( 88)      |
| 2 1/2      | 250 ( 9.84)        | 690 (27.17)          | 63 ( 2.48)            | 241 ( 9.50)  | 47 ( 104)     |
| 3          | 250 ( 9.84)        | 800 (31.50)          | 76 ( 2.99)            | 282 (11.12)  | 60 ( 132)     |
| 4          | 315 (12.40)        | 960 (37.80)          | 100 ( 3.94)           | 305 (12.00)  | 90 ( 198)     |
| 6          | 355 (13.98)        | 1250 (49.21)         | 150 ( 5.91)           | 403 (15.88)  | 160 ( 353)    |
| 8          | 450 (17.72)        | 1560 (61.42)         | 200 ( 7.87)           | 419 (16.50)  | 250 ( 551)    |
| 10         | 500 (19.69)        | 1730 (68.11)         | 254 (10.00)           | 457 (18.00)  | 360 ( 794)    |
| 12         | 560 (22.05)        | 1940 (76.38)         | 305 (12.01)           | 502 (19.75)  | 520 (1147)    |

## BELLOWS SEAL GATE VALVES - BOLTED BONNET - FULL PORT - GEAR OPERATED



| NO. | Parts            | Material                      | A.S.T.M  |
|-----|------------------|-------------------------------|----------|
| 1   | Body             | Cast Steel                    | A216-WCB |
| 2   | Bonnet           | Cast Steel                    | A216-WCB |
| 3   | Wedge            | Stellite 6 faced A216-WCB     |          |
| 5   | Seat Ring        | Stellite 6 faced Carbon Steel |          |
| 6   | Stem             | 13Cr Stainless Steel          | A276-410 |
| 7   | Bonnet Bolt      | Alloy Steel                   | A193-B7M |
| 8   | Bonnet Nut       | Carbon Steel                  | A194-2HM |
| 9   | Bonnet Gasket    | 304 Spiral Wound Graphite     |          |
| 14  | Gland Packing    | Graphoil                      |          |
| 15  | Gland            | 13Cr Stainless Steel          | A276-410 |
| 16  | Gland Flange     | Carbon Steel                  |          |
| 17  | Eye Bolt         | Carbon Steel                  | A668-C   |
| 18  | Eye Bolt Nut     | Carbon Steel                  | A563A    |
| 19  | Eye Bolt Pin     | Carbon Steel                  |          |
| 20  | Connector        | Cast Steel                    | A216-WCB |
| 21  | Connector Bolt   | Alloy Steel                   | A193-B7M |
| 22  | Connector Nut    | Carbon Steel                  | A194-2HM |
| 37  | Name Plate       | Stainless Steel               | 304SS    |
| 51  | Gear Box         | Commercial                    |          |
| 64  | Bellows          | Stainless Steel               | 321SS    |
| 65  | End Fitting      | Stainless Steel               | A276-316 |
| 66  | Backseat Ring    | Stainless Steel               | A276-316 |
| 67  | Connector Gasket | 304 Spiral Wound Graphite     |          |

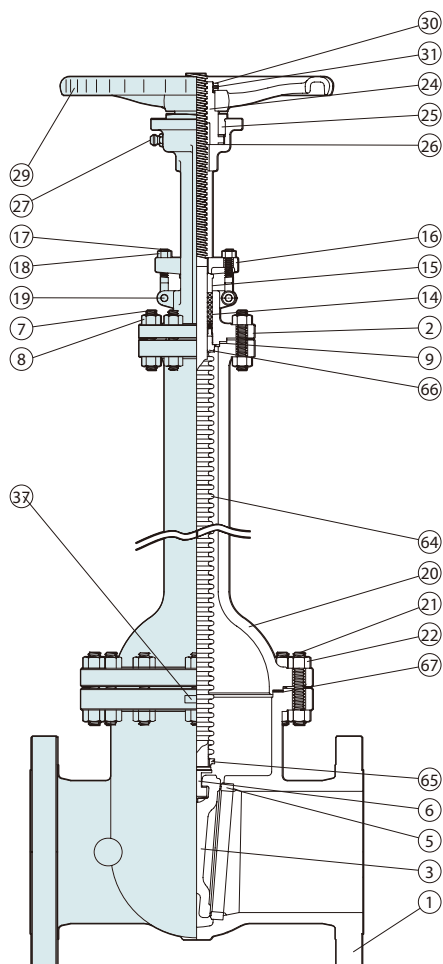
- UP to 4" : Solid Wedge
- 6" & above : Flexible Wedge
- 13Cr SS : 13Chrome Stainless Steel

### CLASS 300 - API 600

Unit : mm(inch)

| Valve Size | Handwheel Diameter | Center to Top | Dia. of Port Openings | Face to Face | Weight Kg(Lb) |
|------------|--------------------|---------------|-----------------------|--------------|---------------|
| 8          | 400 (15.75)        | 1585 ( 62.40) | 200 ( 7.87)           | 419 (16.50)  | 260 ( 573)    |
| 10         | 400 (15.75)        | 1860 ( 73.23) | 254 (10.00)           | 457 (18.00)  | 370 ( 816)    |
| 12         | 500 (19.69)        | 2100 ( 82.68) | 305 (12.00)           | 502 (19.75)  | 540 (1191)    |
| 14         | 500 (19.69)        | 2370 ( 93.31) | 337 (13.25)           | 762 (30.00)  | 750 (1654)    |
| 16         | 500 (19.69)        | 2680 (105.51) | 388 (15.25)           | 838 (33.00)  | 950 (2095)    |
| 18         | 630 (24.80)        | 3050 (120.08) | 432 (17.00)           | 914 (36.00)  | 1350 (2976)   |
| 20         | 630 (24.80)        | 3600 (141.73) | 483 (19.00)           | 991 (39.00)  | 1700 (3749)   |
| 24         | 710 (27.95)        | 4100 (161.42) | 585 (23.00)           | 1143 (45.00) | 2600 (5733)   |

## BELLOWS SEAL GATE VALVES – BOLTED BONNET – FULL PORT – HANDWHEEL TYPE



| NO. | Parts            | Material                      | A.S.T.M  |
|-----|------------------|-------------------------------|----------|
| 1   | Body             | Cast Steel                    | A216-WCB |
| 2   | Bonnet           | Cast Steel                    | A216-WCB |
| 3   | Wedge            | Stellite 6 faced A216-WCB     |          |
| 5   | Seat Ring        | Stellite 6 faced Carbon Steel |          |
| 6   | Stem             | 13Cr Stainless Steel          | A276-410 |
| 7   | Bonnet Bolt      | Alloy Steel                   | A193-B7M |
| 8   | Bonnet Nut       | Carbon Steel                  | A194-2HM |
| 9   | Bonnet Gasket    | 304 Spiral Wound Graphite     |          |
| 14  | Gland Packing    | Graphoil                      |          |
| 15  | Gland            | 13Cr Stainless Steel          | A276-410 |
| 16  | Gland Flange     | Carbon Steel                  |          |
| 17  | Eye Bolt         | Carbon Steel                  | A668-C   |
| 18  | Eye Bolt Nut     | Carbon Steel                  | A563A    |
| 19  | Eye Bolt Pin     | Carbon Steel                  |          |
| 20  | Connector        | Cast Steel                    | A216-WCB |
| 21  | Connector Bolt   | Alloy Steel                   | A193-B7M |
| 22  | Connector Nut    | Carbon Steel                  | A194-2HM |
| 24  | Yoke Sleeve      | Ductile Iron                  | A439-D2C |
| 25  | Yoke Cap         | Carbon Steel                  |          |
| 26  | Thrust Bearing   | Commercial (6" & over)        |          |
| 27  | Grease Nipple    | Cr Plated Carbon Steel        |          |
| 29  | Handwheel        | Ductile Iron                  | A395     |
| 30  | Wheel Nut        | Carbon Steel                  | A563A    |
| 31  | Set Screw        | Commercial                    |          |
| 37  | Name Plate       | Stainless Steel               | 304SS    |
| 64  | Bellows          | Stainless Steel               | 321SS    |
| 65  | End Fitting      | Stainless Steel               | A276-316 |
| 66  | Backseat Ring    | Stainless Steel               | A276-316 |
| 67  | Connector Gasket | 304 Spiral Wound Graphite     |          |

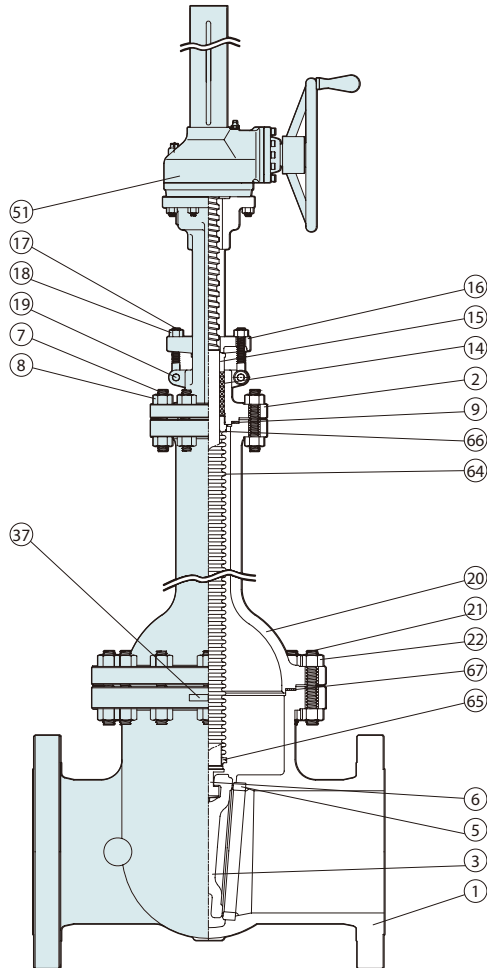
- UP to 4" : Solid Wedge
- 6" & above : Flexible Wedge
- 13Cr SS : 13Chrome Stainless Steel

### CLASS 600 - API 600

Unit : mm(inch)

| Valve Size | Handwheel Diameter | Center to Top (Open) | Dia. of Port Openings | Face to Face | Weight Kg(Lb) |
|------------|--------------------|----------------------|-----------------------|--------------|---------------|
| 2          | 250 ( 9.84)        | 665 (26.18)          | 50 (1.97)             | 292 (11.50)  | 50 ( 10)      |
| 2 1/2      | 250 ( 9.84)        | 750 (29.53)          | 63 (2.48)             | 330 (13.00)  | 70 ( 154)     |
| 3          | 315 (12.40)        | 845 (33.27)          | 76 (2.99)             | 356 (14.00)  | 90 ( 198)     |
| 4          | 355 (13.98)        | 1030 (40.55)         | 100 (3.94)            | 432 (17.00)  | 150 ( 331)    |
| 6          | 500 (19.69)        | 1270 (50.00)         | 150 (5.91)            | 559 (22.00)  | 300 ( 661)    |
| 8          | 560 (22.05)        | 1570 (61.81)         | 200 (7.87)            | 661 (26.00)  | 500 (1102)    |

## BELLOWS SEAL GATE VALVES – BOLTED BONNET – FULL PORT – GEAR OPERATED



| NO. | Parts            | Material                      | A.S.T.M  |
|-----|------------------|-------------------------------|----------|
| 1   | Body             | Cast Steel                    | A216-WCB |
| 2   | Bonnet           | Cast Steel                    | A216-WCB |
| 3   | Wedge            | Stellite 6 faced A216-WCB     |          |
| 5   | Seat Ring        | Stellite 6 faced Carbon Steel |          |
| 6   | Stem             | 13Cr Stainless Steel          | A276-410 |
| 7   | Bonnet Bolt      | Alloy Steel                   | A193-B7M |
| 8   | Bonnet Nut       | Carbon Steel                  | A194-2HM |
| 9   | Bonnet Gasket    | 304 Spiral Wound Graphite     |          |
| 14  | Gland Packing    | Graphoil                      |          |
| 15  | Gland            | 13Cr Stainless Steel          | A276-410 |
| 16  | Gland Flange     | Carbon Steel                  |          |
| 17  | Eye Bolt         | Carbon Steel                  | A668-C   |
| 18  | Eye Bolt Nut     | Carbon Steel                  | A563A    |
| 19  | Eye Bolt Pin     | Carbon Steel                  |          |
| 20  | Connector        | Cast Steel                    | A216-WCB |
| 21  | Connector Bolt   | Alloy Steel                   | A193-B7M |
| 22  | Connector Nut    | Carbon Steel                  | A194-2HM |
| 37  | Name Plate       | Stainless Steel               | 304SS    |
| 51  | Gear Box         | Commercial                    |          |
| 64  | Bellows          | Stainless Steel               | 321SS    |
| 65  | End Fitting      | Stainless Steel               | A276-316 |
| 66  | Backseat Ring    | Stainless Steel               | A276-316 |
| 67  | Connector Gasket | 304 Spiral Wound Graphite     |          |

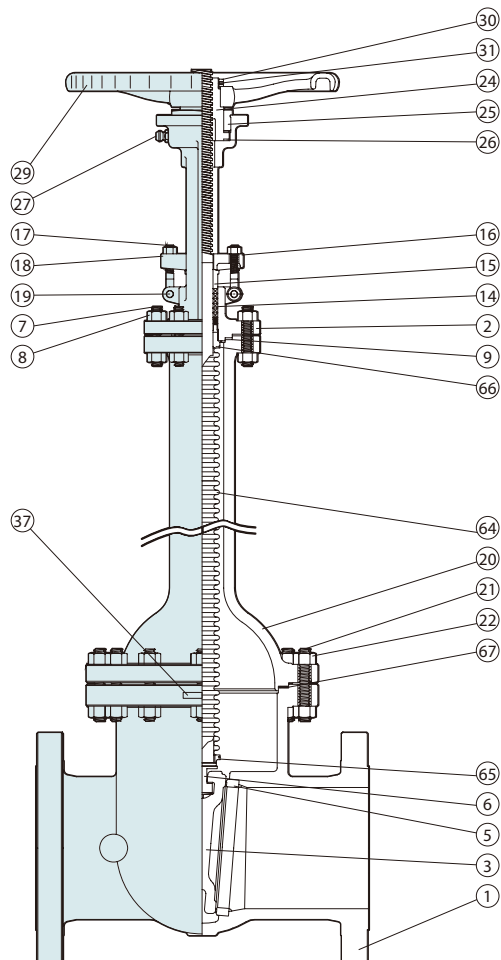
- UP to 4" : Solid Wedge
- 6" & above : Flexible Wedge
- 13Cr SS : 13Chrome Stainless Steel

### CLASS 600 - API 600

Unit : mm(inch)

| Valve Size | Handwheel Diameter | Center to Top | Dia. of Port Openings | Face to Face | Weight Kg(Lb) |
|------------|--------------------|---------------|-----------------------|--------------|---------------|
| 8          | 500 (19.69)        | 1695 ( 66.73) | 200 ( 7.87)           | 600 (26.00)  | 520 (1147)    |
| 10         | 500 (19.69)        | 2000 ( 78.74) | 250 ( 9.84)           | 787 (31.00)  | 600 (1323)    |
| 12         | 630 (24.80)        | 2250 ( 88.56) | 300 (11.81)           | 838 (33.00)  | 1050 (2315)   |
| 14         | 630 (24.80)        | 2550 (100.39) | 327 (12.87)           | 889 (35.00)  | 1400 (3087)   |
| 16         | 710 (27.95)        | 2900 (114.17) | 375 (14.76)           | 991 (39.00)  | 1800 (3969)   |
| 18         | 710 (27.95)        | 3350 (131.89) | 420 (16.54)           | 1092 (43.00) | 2200 (4851)   |
| 20         | 800 (31.50)        | 4000 (157.48) | 464 (18.27)           | 1194 (47.00) | 2700 (5954)   |
| 24         | 900 (35.43)        | 4650 (183.07) | 559 (22.00)           | 1397 (55.00) | 4000 (8820)   |

## BELLOWS SEAL GATE VALVES – BOLTED BONNET – FULL PORT – HANDWHEEL / GEAR OPERATED



| NO. | Parts            | Material                      | A.S.T.M  |
|-----|------------------|-------------------------------|----------|
| 1   | Body             | Cast Steel                    | A216-WCB |
| 2   | Bonnet           | Cast Steel                    | A216-WCB |
| 3   | Wedge            | Stellite 6 faced A216-WCB     |          |
| 5   | Seat Ring        | Stellite 6 faced Carbon Steel |          |
| 6   | Stem             | 13Cr Stainless Steel          | A276-410 |
| 7   | Bonnet Bolt      | Alloy Steel                   | A193-B7M |
| 8   | Bonnet Nut       | Carbon Steel                  | A194-2HM |
| 9   | Bonnet Gasket    | 304 Spiral Wound Graphite     |          |
| 14  | Gland Packing    | Graphoil                      |          |
| 15  | Gland            | 13Cr Stainless Steel          | A276-410 |
| 16  | Gland Flange     | Carbon Steel                  |          |
| 17  | Eye Bolt         | Carbon Steel                  | A668-C   |
| 18  | Eye Bolt Nut     | Carbon Steel                  | A563A    |
| 19  | Eye Bolt Pin     | Carbon Steel                  |          |
| 20  | Connector        | Cast Steel                    | A216-WCB |
| 21  | Connector Bolt   | Alloy Steel                   | A193-B7M |
| 22  | Connector Nut    | Carbon Steel                  | A194-2HM |
| 24  | Yoke Sleeve      | Ductile Iron                  | A439-D2C |
| 25  | Yoke Cap         | Carbon Steel                  |          |
| 26  | Thrust Bearing   | Commercial                    |          |
| 27  | Grease Nipple    | Cr Plated Carbon Steel        |          |
| 29  | Handwheel        | Ductile Iron                  | A395     |
| 30  | Wheel Nut        | Carbon Steel                  | A563A    |
| 31  | Set Screw        | Commercial                    |          |
| 37  | Name Plate       | Stainless Steel               | 304SS    |
| 64  | Bellows          | Stainless Steel               | 321SS    |
| 65  | End Fitting      | Stainless Steel               | A276-316 |
| 66  | Backseat Ring    | Stainless Steel               | A276-316 |
| 67  | Connector Gasket | 304 Spiral Wound Graphite     |          |

- UP to 4" : Solid Wedge
- 6" & above : Flexible Wedge
- 13Cr SS : 13Chrome Stainless Steel
- Gear Operated : 6" for class 900, 4" & over for class 1500

### CLASS 900 - API 600

Unit : mm(inch)

| Valve Size | Handwheel Diameter | Center to Top (Open) | Dia. of Port Openings | Face to Face | Weight Kg(Lb) |
|------------|--------------------|----------------------|-----------------------|--------------|---------------|
| 2          | 315 (12.40)        | 820 (32.28)          | 47 (1.85)             | 368 (14.50)  | 110 (243)     |
| 3          | 355 (13.98)        | 970 (38.19)          | 72 (2.83)             | 381 (15.00)  | 140 (309)     |
| 4          | 500 (19.69)        | 1150 (45.28)         | 98 (3.86)             | 457 (18.00)  | 190 (419)     |
| 6          | 560 (22.05)        | 1400 (55.12)         | 146 (5.75)            | 610 (24.00)  | 440 (970)     |

### CLASS 1500 - API 600

Unit : mm(inch)

| Valve Size | Handwheel Diameter | Center to Top (Open) | Dia. of Port Openings | Face to Face | Weight Kg(Lb) |
|------------|--------------------|----------------------|-----------------------|--------------|---------------|
| 2          | 315 (12.40)        | 820 (32.28)          | 47 (1.85)             | 368 (14.50)  | 110 ( 243)    |
| 3          | 355 (13.98)        | 970 (38.19)          | 69 (2.72)             | 470 (18.50)  | 210 ( 463)    |
| 4          | 500 (19.69)        | 1150 (45.28)         | 92 (3.62)             | 546 (21.50)  | 320 ( 706)    |
| 6          | 560 (22.05)        | 1550 (61.02)         | 136 (5.35)            | 705 (27.75)  | 600 (1323)    |