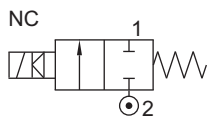
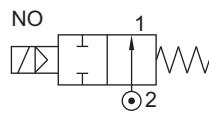


2/2 DIAPHRAGM OPERATED, NORMALLY CLOSED/ OPEN SOLENOID VALVE

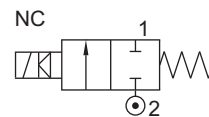
| TYPE | PRESSURE |
|-------|--------------|
| 24109 | 0.5 - 10 bar |
| | |
| | |



| TYPE | PRESSURE |
|-------|--------------|
| 24201 | 0.5 - 10 bar |
| 24202 | 1 - 20 bar |
| | |
| | |



| TYPE | PRESSURE |
|-------|--------------|
| 24101 | 0.5 - 10 bar |
| 24102 | 1 - 20 bar |
| | |
| | |



FEATURES

- Bubble tight shut off
- Manual override optionally provided
- Vibration resistance up to 9g
- Suitable for high speed cycling
- Speed up to 100 cycles/ min.
- Life >2 million cycles



WETTED PARTS

| Code | ※ | B13 | B12 |
|-----------------|------------------------|-------|-------|
| Body | | CF8 | CF8M |
| Internal | | SS316 | SS316 |
| Diaphragm | NBR, Viton, EPDM | | |
| Guide Assembly | SS 304 | | |
| Shadow-Ring | Copper / Silver / None | | |
| Plunger, Insert | SS 430 | | |
| Spring | SS 302 | | |
| Seat, Seals | NBR, Viton, EPDM | | |
| Fasteners | SS 304 | | |

AMBIENT AND FLUID TEMPERATURE

5 °C to 75 °C

SPECIAL VERSION AND SUFFIX

Suffix : (Valve) OX, AM
Special version : (Solenoid) CO, FR, SS, LC, III, TM

MEDIA

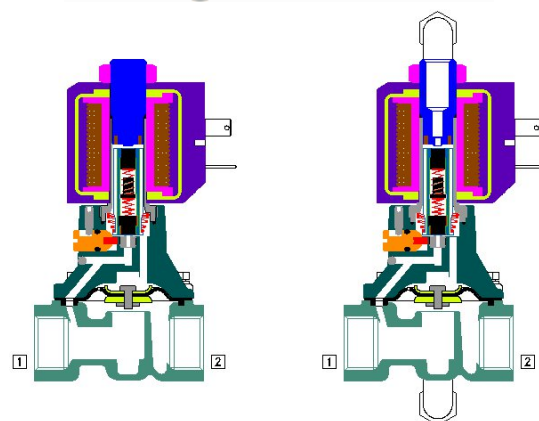
Air, Water, Inert Gases, Liquid, Oil, Diesel, Kerosene, LPG, CNG

APPLICATION

Drain, Deluge Valve operation, Dispensing

PORT CONNECTION

| ACTION | INLET | OUTLET |
|--------|-------|--------|
| NC | 2 | 1 |
| NO | 2 | 1 |



SPARES

(Refer page 25 for ordering code)

| SPARE KIT | CODE |
|--|------|
| Diaphragm Kit : Diaphragm Kit | 100 |
| Seal Kit : Oring Set, Diaphragm Kit, Plunger Assembly | 98 |
| Repair Kit : Oring Set, Diaphragm Kit, Plunger Assembly, Fastener, Springs, Manual Override, Guide assembly | 99 |
| Solenoid Kit : Solenoid, Gasket and Nut | 34 |

APPROVAL

(* applied for)

| Approval | TYPE 4X, 6P | IP67 | Ex d IIC T4 or T5 or T6 IP66 | Ex ia IIC T6 IP67 | DGMS | CCOE |
|----------|-------------|------|------------------------------|-------------------|------|------|
| | | ✓ | ✓ | ✓ | ✓ | ✓ |
| CE | | ✓ | ✓ | ✓ | | |
| UL | ✓ | | * | | | |
| | | | ✓ | ✓ | | |
| EAC | | | ✓ | ✓ | | |
| | | | ✓ | ✓ | | |

Contact Rotex for

- Any other ambient, fluid temperature, media and application
- UL listed, Listed general purpose Valve



OIL Media Temperature Restricted from 0 °C to 100 °C



2/2 DIAPHRAGM OPERATED, NORMALLY CLOSED/ OPEN SOLENOID VALVE

SPECIFICATION

| PORT CONNECTION | | | PRE-PRESSURE bar | | ORIFICE (mm) | FLOW FACTOR (Kv) OF WATER @ 1 bar (ΔP) | VALVE TYPE | PILOT PRESSURE | BODY MATERIAL AND INTERNALS | | | SEALS ① | | | | MANUAL OVERRIDE | | SOLENOID ENCLOSURE | | | | SUFFIX | | POWER VA | | CONSTRUCTION REFERENCE NUMBER | |
|-----------------|--------|--------|------------------|---------|--------------|--|------------|----------------|-----------------------------|--------------|-------------|---------|-------|------|--------|-----------------|-----|-----------------------|-----------|-------------|---------------|-------------------|-------------------|---------------------------|-----------------|-------------------------------|---------------|
| SIZE | BSP(F) | NPT(F) | MINIMUM | MAXIMUM | | | | | ALUMINIUM ② | CF8M & SS316 | CF8 & SS316 | NBR | Viton | EPDM | HYTREL | PTFE | NIL | STAYPUT CUM MOMENTARY | MOMENTARY | FLYING LEAD | PLUG IN, IP67 | SQ. PLUG IN, IP67 | TERMINAL BOX IP67 | EXPLOSION PROOF IIC, IP67 | LARGE ENCLOSURE | | SOLENOID SIZE |

2/2 NORMALLY CLOSED

| | | | | | | | | | | | | | | | | | | | | | | | | | | | | | | |
|--------|-----|-----|-----|----|----|------|----------|--|---|-----|-----|----|----|----|--|---|----|----|----|----|---|---|-----|----|---|---|----|----|---|----|
| 1/2" | 4G | 4R | 0.5 | 10 | 12 | 60 | 24101 | | * | B12 | B13 | S0 | S2 | S1 | | * | M6 | M8 | 22 | 25 | T | E | III | 14 | ✓ | ✓ | 18 | 12 | 8 | 29 |
| | | | 1 | 20 | 12 | 60 | 24102 | | * | B12 | B13 | S0 | S2 | S1 | | * | M6 | M8 | 22 | 25 | T | E | III | 14 | ✓ | ✓ | 18 | 12 | 8 | 29 |
| 3/4" | 6G | 6R | 0.5 | 10 | 20 | 110 | 24101 | | * | B12 | B13 | S0 | S2 | S1 | | * | M6 | M8 | 22 | 25 | T | E | III | 14 | ✓ | ✓ | 18 | 12 | 8 | 30 |
| | | | 1 | 20 | 20 | 110 | 24102 | | * | B12 | B13 | S0 | S2 | S1 | | * | M6 | M8 | 22 | 25 | T | E | III | 14 | ✓ | ✓ | 18 | 12 | 8 | 30 |
| 1" | 8G | 8R | 0.5 | 10 | 25 | 185 | 24109 | | * | B12 | B13 | S0 | S2 | | | * | M6 | M8 | 22 | 25 | T | E | III | 14 | ✓ | ✓ | 18 | 12 | 8 | 33 |
| | | | 1 | 20 | 25 | 185 | 24102V01 | | * | B12 | B13 | S0 | S2 | | | * | M6 | M8 | 22 | 25 | T | E | III | 14 | ✓ | ✓ | 18 | 12 | 8 | 33 |
| 1 1/4" | 10G | 10R | 0.5 | 10 | 40 | 400 | 24101 | | | B12 | B13 | S0 | S2 | | | * | M6 | M8 | 22 | 25 | T | E | III | 14 | ✓ | ✓ | 18 | 12 | 8 | 34 |
| | | | 1 | 20 | 40 | 400 | 24102 | | | B12 | B13 | S0 | S2 | | | * | M6 | M8 | 22 | 25 | T | E | III | 14 | ✓ | ✓ | 18 | 12 | 8 | 34 |
| 1 1/2" | 12G | 12R | 0.5 | 10 | 40 | 440 | 24101 | | | B12 | B13 | S0 | S2 | | | * | M6 | M8 | 22 | 25 | T | E | III | 14 | ✓ | ✓ | 18 | 12 | 8 | 35 |
| | | | 1 | 20 | 40 | 440 | 24102 | | | B12 | B13 | S0 | S2 | | | * | M6 | M8 | 22 | 25 | T | E | III | 14 | ✓ | ✓ | 18 | 12 | 8 | 35 |
| 2" | 16G | 16R | 0.5 | 10 | 50 | 650 | 24101V01 | | | B12 | B13 | S0 | S2 | | | * | M6 | M8 | 22 | 25 | T | E | III | 14 | ✓ | ✓ | 18 | 12 | 8 | 36 |
| | | | 1 | 20 | 50 | 650 | 24102V01 | | | B12 | B13 | S0 | S2 | | | * | M6 | M8 | 22 | 25 | T | E | III | 14 | ✓ | ✓ | 18 | 12 | 8 | 36 |
| 2 1/2" | 20G | 20R | 0.5 | 10 | 65 | 800 | 24101 | | | B12 | B13 | S0 | S2 | | | * | M6 | M8 | 22 | 25 | T | E | III | 14 | ✓ | ✓ | 18 | 12 | 8 | 85 |
| | | | 1 | 20 | 65 | 800 | 24102 | | | B12 | B13 | S0 | S2 | | | * | M6 | M8 | 22 | 25 | T | E | III | 14 | ✓ | ✓ | 18 | 12 | 8 | 85 |
| 3" | 24G | | 0.5 | 10 | 80 | 1000 | 24101 | | | B12 | B13 | S0 | S2 | | | * | M6 | M8 | 22 | 25 | T | E | III | 14 | ✓ | ✓ | 18 | 12 | 8 | 85 |
| | | | 1 | 20 | 80 | 1000 | 24102 | | | B12 | B13 | S0 | S2 | | | * | M6 | M8 | 22 | 25 | T | E | III | 14 | ✓ | ✓ | 18 | 12 | 8 | 85 |

2/2 NORMALLY OPEN

| | | | | | | | | | | | | | | | | | | | | | | | | | | | | | | |
|--------|-----|-----|-----|----|----|------|----------|--|---|-----|-----|----|----|----|--|---|----|----|----|----|---|---|-----|----|---|---|----|----|---|----|
| 1/2" | 4G | 4R | 0.5 | 10 | 12 | 60 | 24201 | | * | B12 | B13 | S0 | S2 | S1 | | * | M6 | M8 | 22 | 25 | T | E | III | 14 | ✓ | ✓ | 18 | 12 | 8 | 37 |
| | | | 1 | 20 | 12 | 60 | 24202 | | * | B12 | B13 | S0 | S2 | S1 | | * | M6 | M8 | 22 | 25 | T | E | III | 14 | ✓ | ✓ | 18 | 12 | 8 | 37 |
| 3/4" | 6G | 6R | 0.5 | 10 | 20 | 110 | 24201 | | * | B12 | B13 | S0 | S2 | S1 | | * | M6 | M8 | 22 | 25 | T | E | III | 14 | ✓ | ✓ | 18 | 12 | 8 | 38 |
| | | | 1 | 20 | 20 | 110 | 24202 | | * | B12 | B13 | S0 | S2 | S1 | | * | M6 | M8 | 22 | 25 | T | E | III | 14 | ✓ | ✓ | 18 | 12 | 8 | 38 |
| 1" | 8G | 8R | 0.5 | 10 | 25 | 185 | 24201V01 | | * | B12 | B13 | S0 | S2 | | | * | M6 | M8 | 22 | 25 | T | E | III | 14 | ✓ | ✓ | 18 | 12 | 8 | 39 |
| | | | 1 | 20 | 25 | 185 | 24202V01 | | * | B12 | B13 | S0 | S2 | | | * | M6 | M8 | 22 | 25 | T | E | III | 14 | ✓ | ✓ | 18 | 12 | 8 | 39 |
| 1 1/4" | 10G | 10R | 0.5 | 10 | 40 | 400 | 24201 | | | B12 | B13 | S0 | S2 | | | * | M6 | M8 | 22 | 25 | T | E | III | 14 | ✓ | ✓ | 18 | 12 | 8 | 42 |
| | | | 1 | 20 | 40 | 400 | 24202 | | | B12 | B13 | S0 | S2 | | | * | M6 | M8 | 22 | 25 | T | E | III | 14 | ✓ | ✓ | 18 | 12 | 8 | 42 |
| 1 1/2" | 12G | 12R | 0.5 | 10 | 40 | 440 | 24201 | | | B12 | B13 | S0 | S2 | | | * | M6 | M8 | 22 | 25 | T | E | III | 14 | ✓ | ✓ | 18 | 12 | 8 | 43 |
| | | | 1 | 20 | 40 | 440 | 24202 | | | B12 | B13 | S0 | S2 | | | * | M6 | M8 | 22 | 25 | T | E | III | 14 | ✓ | ✓ | 18 | 12 | 8 | 43 |
| 2" | 16G | 16R | 0.5 | 10 | 50 | 650 | 24201V01 | | | B12 | B13 | S0 | S2 | | | * | M6 | M8 | 22 | 25 | T | E | III | 14 | ✓ | ✓ | 18 | 12 | 8 | 40 |
| | | | 1 | 20 | 50 | 650 | 24202V01 | | | B12 | B13 | S0 | S2 | | | * | M6 | M8 | 22 | 25 | T | E | III | 14 | ✓ | ✓ | 18 | 12 | 8 | 40 |
| 2 1/2" | 20G | 20R | 0.5 | 10 | 65 | 800 | 24201 | | | B12 | B13 | S0 | S2 | | | * | M6 | M8 | 22 | 25 | T | E | III | 14 | ✓ | ✓ | 18 | 12 | 8 | 85 |
| | | | 1 | 20 | 65 | 800 | 24202 | | | B12 | B13 | S0 | S2 | | | * | M6 | M8 | 22 | 25 | T | E | III | 14 | ✓ | ✓ | 18 | 12 | 8 | 85 |
| 3" | 24G | | 0.5 | 10 | 80 | 1000 | 24201 | | | B12 | B13 | S0 | S2 | | | * | M6 | M8 | 22 | 25 | T | E | III | 14 | ✓ | ✓ | 18 | 12 | 8 | 85 |
| | | | 1 | 20 | 80 | 1000 | 24202 | | | B12 | B13 | S0 | S2 | | | * | M6 | M8 | 22 | 25 | T | E | III | 14 | ✓ | ✓ | 18 | 12 | 8 | 85 |

| Cable Entry | T | E | | |
|-------------|----|-----|------|------|
| | | ÖcA | ÖcA | ÖcA |
| M20 x 1.5 | FJ | HU | iiTÜ | iiTÜ |
| M25 x 1.5 | | | ii | ii |
| 1/2" NPT | Fİ | Hİ | iiPÜ | iiPÜ |

* = Do not specify when opted for. Refer Page # 22 for Value of *
 ✓ = Options available

① Select appropriate Rubber Diaphragm for Media other than AIR.

② Aluminium Cast Body to be Only used with AIR Media.



2/2 DIAPHRAGM OPERATED, FLANGE END, NORMALLY CLOSED/ OPEN SOLENOID VALVE

SPECIFICATION

| PORT CONNECTION | | | PRE-SSURE bar | | ORIFICE (mm) | FLOW FACTOR Kv (LPM OF WATER @ 1 bar ΔP) | VALVE TYPE | BODY MATERIAL AND INTERNALS | | | | | SEALS ① | | | | | MANUAL OVERRIDE | | | SOLENOID ENCLOSURE | | | | SUFFIX | | POWER VA | | CONSTRUCTION REFERENCE NUMBER |
|-----------------|--------|------------|---------------|---------|--------------|--|------------|-----------------------------|-------------|--------------|-----|-------|---------|--------|------|-----|-----------------------|-----------------|-------------|---------------|--------------------|-------------------|--------------------------|-----------------|---------------|--------|----------|-----------|-------------------------------|
| SIZE | FLANGE | CONNECTION | MINIMUM | MAXIMUM | | | | ALUMINIUM | SS 316/ CF8 | SS 316/ CF8M | NBR | Viton | EPDM | HYTREL | PTFE | NIL | STAYPUT CUM MOMENTARY | MOMENTARY | FLYING LEAD | PLUG IN, IP67 | SQ. PLUG IN, IP67 | TERMINAL BOX IP67 | Ex d IIC, T4 OR T6, IP67 | LARGE ENCLOSURE | SOLENOID SIZE | OXYGEN | AMONIA | AC INRUSH | |

ASME B16.5 150 CLASS FLANGE

2/2 NORMALLY CLOSED

| | | | | | | | | | | | | | | | | | | | | | | | | | | |
|------------|-----|----|-----|------|------------|-----|-----|----|----|----|--|--|---|----|----|----|----|---|---|-----|----|---|---|----|----|---|
| 1/2" 4F | 0.5 | 20 | 12 | 60 | FADFG00 | B13 | B12 | S0 | S2 | S1 | | | × | M6 | M8 | 22 | 25 | T | E | III | 14 | ✓ | ✓ | 18 | 12 | 8 |
| 3/4" 6F | 0.5 | 20 | 20 | 110 | FADFGA0 | B13 | B12 | S0 | S2 | S1 | | | × | M6 | M8 | 22 | 25 | T | E | III | 14 | ✓ | ✓ | 18 | 12 | 8 |
| 1" 8F | 0.5 | 20 | 25 | 185 | FADFGA1V01 | B13 | B12 | S0 | S2 | | | | × | M6 | M8 | 22 | 25 | T | E | III | 14 | ✓ | ✓ | 18 | 12 | 8 |
| 1 1/4" 10F | 0.5 | 20 | 40 | 400 | FADFGA3 | B13 | B12 | S0 | S2 | | | | × | M6 | M8 | 22 | 25 | T | E | III | 14 | ✓ | ✓ | 18 | 12 | 8 |
| 1 1/2" 12F | 0.5 | 20 | 40 | 440 | FADFGA4 | B13 | B12 | S0 | S2 | | | | × | M6 | M8 | 22 | 25 | T | E | III | 14 | ✓ | ✓ | 18 | 12 | 8 |
| 2" 16F | 0.5 | 20 | 50 | 650 | FADFGA5V01 | B13 | B12 | S0 | S2 | | | | × | M6 | M8 | 22 | 25 | T | E | III | 14 | ✓ | ✓ | 18 | 12 | 8 |
| 2 1/2" 20F | 0.5 | 20 | 65 | 800 | FADFGA6 | B13 | B12 | S0 | S2 | | | | × | M6 | M8 | 22 | 25 | T | E | III | 14 | ✓ | ✓ | 18 | 12 | 8 |
| 3" 24F | 0.5 | 20 | 80 | 1000 | FADFGA7 | B13 | B12 | S0 | S2 | | | | × | M6 | M8 | 22 | 25 | T | E | III | 14 | ✓ | ✓ | 18 | 12 | 8 |
| 4" 32F | 1 | 20 | 100 | 1400 | FADFGA8 | B13 | B12 | S0 | S2 | | | | × | M6 | M8 | 22 | 25 | T | E | III | 14 | ✓ | ✓ | 18 | 12 | 8 |

ASME B16.5 300 CLASS FLANGE

| | | | | | | | | | | | | | | | | | | | | | | | | | | |
|------------|-----|----|----|------|------------|-----|-----|----|----|----|--|--|---|----|----|----|----|---|---|-----|----|---|---|----|----|---|
| 1/2" 4F | 0.5 | 20 | 12 | 60 | FADFH00 | B13 | B12 | S0 | S2 | S1 | | | × | M6 | M8 | 22 | 25 | T | E | III | 14 | ✓ | ✓ | 18 | 12 | 8 |
| 3/4" 6F | 0.5 | 20 | 20 | 110 | FADFHA0 | B13 | B12 | S0 | S2 | S1 | | | × | M6 | M8 | 22 | 25 | T | E | III | 14 | ✓ | ✓ | 18 | 12 | 8 |
| 1" 8F | 0.5 | 20 | 25 | 185 | FADFHA1V01 | B13 | B12 | S0 | S2 | | | | × | M6 | M8 | 22 | 25 | T | E | III | 14 | ✓ | ✓ | 18 | 12 | 8 |
| 1 1/4" 10F | 0.5 | 20 | 40 | 400 | FADFHA3 | B13 | B12 | S0 | S2 | | | | × | M6 | M8 | 22 | 25 | T | E | III | 14 | ✓ | ✓ | 18 | 12 | 8 |
| 1 1/2" 12F | 0.5 | 20 | 40 | 440 | FADFHA4 | B13 | B12 | S0 | S2 | | | | × | M6 | M8 | 22 | 25 | T | E | III | 14 | ✓ | ✓ | 18 | 12 | 8 |
| 2" 16F | 0.5 | 20 | 50 | 650 | FADFHA5V01 | B13 | B12 | S0 | S2 | | | | × | M6 | M8 | 22 | 25 | T | E | III | 14 | ✓ | ✓ | 18 | 12 | 8 |
| 2 1/2" 20F | 0.5 | 20 | 65 | 800 | FADFHA6 | B13 | B12 | S0 | S2 | | | | × | M6 | M8 | 22 | 25 | T | E | III | 14 | ✓ | ✓ | 18 | 12 | 8 |
| 3" 24F | 0.5 | 20 | 80 | 1000 | FADFHA7 | B13 | B12 | S0 | S2 | | | | × | M6 | M8 | 22 | 25 | T | E | III | 14 | ✓ | ✓ | 18 | 12 | 8 |

ASME B16.5 150 CLASS FLANGE

2/2 NORMALLY OPEN

| | | | | | | | | | | | | | | | | | | | | | | | | | | |
|------------|-----|----|----|------|------------|-----|-----|----|----|----|--|--|---|----|----|----|----|---|---|-----|----|---|---|----|----|---|
| 1/2" 4F | 0.5 | 20 | 12 | 60 | FAEFG00 | B13 | B12 | S0 | S2 | S1 | | | × | M6 | M8 | 22 | 25 | T | E | III | 14 | ✓ | ✓ | 18 | 12 | 8 |
| 3/4" 6F | 0.5 | 20 | 20 | 110 | FAEFGA0 | B13 | B12 | S0 | S2 | S1 | | | × | M6 | M8 | 22 | 25 | T | E | III | 14 | ✓ | ✓ | 18 | 12 | 8 |
| 1" 8F | 0.5 | 20 | 25 | 185 | FAEFGA1V01 | B13 | B12 | S0 | S2 | | | | × | M6 | M8 | 22 | 25 | T | E | III | 14 | ✓ | ✓ | 18 | 12 | 8 |
| 1 1/4" 10F | 0.5 | 20 | 40 | 400 | FAEFGA3 | B13 | B12 | S0 | S2 | | | | × | M6 | M8 | 22 | 25 | T | E | III | 14 | ✓ | ✓ | 18 | 12 | 8 |
| 1 1/2" 12F | 0.5 | 20 | 40 | 440 | FAEFGA4 | B13 | B12 | S0 | S2 | | | | × | M6 | M8 | 22 | 25 | T | E | III | 14 | ✓ | ✓ | 18 | 12 | 8 |
| 2" 16F | 0.5 | 20 | 50 | 650 | FAEFGA5V01 | B13 | B12 | S0 | S2 | | | | × | M6 | M8 | 22 | 25 | T | E | III | 14 | ✓ | ✓ | 18 | 12 | 8 |
| 2 1/2" 20F | 0.5 | 20 | 65 | 800 | FAEFGA6 | B13 | B12 | S0 | S2 | | | | × | M6 | M8 | 22 | 25 | T | E | III | 14 | ✓ | ✓ | 18 | 12 | 8 |
| 3" 24F | 0.5 | 20 | 80 | 1000 | FAEFGA7 | B13 | B12 | S0 | S2 | | | | × | M6 | M8 | 22 | 25 | T | E | III | 14 | ✓ | ✓ | 18 | 12 | 8 |

ASME B16.5 300 CLASS FLANGE

| | | | | | | | | | | | | | | | | | | | | | | | | | | |
|------------|-----|----|----|------|------------|-----|-----|----|----|----|--|--|---|----|----|----|----|---|---|-----|----|---|---|----|----|---|
| 1/2" 4F | 0.5 | 20 | 12 | 60 | FAEFH00 | B13 | B12 | S0 | S2 | S1 | | | × | M6 | M8 | 22 | 25 | T | E | III | 14 | ✓ | ✓ | 18 | 12 | 8 |
| 3/4" 6F | 0.5 | 20 | 20 | 110 | FAEFHA0 | B13 | B12 | S0 | S2 | S1 | | | × | M6 | M8 | 22 | 25 | T | E | III | 14 | ✓ | ✓ | 18 | 12 | 8 |
| 1" 8F | 0.5 | 20 | 25 | 185 | FAEFHA1V01 | B13 | B12 | S0 | S2 | | | | × | M6 | M8 | 22 | 25 | T | E | III | 14 | ✓ | ✓ | 18 | 12 | 8 |
| 1 1/4" 10F | 0.5 | 20 | 40 | 400 | FAEFHA3 | B13 | B12 | S0 | S2 | | | | × | M6 | M8 | 22 | 25 | T | E | III | 14 | ✓ | ✓ | 18 | 12 | 8 |
| 1 1/2" 12F | 0.5 | 20 | 40 | 440 | FAEFHA4 | B13 | B12 | S0 | S2 | | | | × | M6 | M8 | 22 | 25 | T | E | III | 14 | ✓ | ✓ | 18 | 12 | 8 |
| 2" 16F | 0.5 | 20 | 50 | 650 | FAEFHA5V01 | B13 | B12 | S0 | S2 | | | | × | M6 | M8 | 22 | 25 | T | E | III | 14 | ✓ | ✓ | 18 | 12 | 8 |
| 2 1/2" 20F | 0.5 | 20 | 65 | 800 | FAEFHA6 | B13 | B12 | S0 | S2 | | | | × | M6 | M8 | 22 | 25 | T | E | III | 14 | ✓ | ✓ | 18 | 12 | 8 |
| 3" 24F | 0.5 | 20 | 80 | 1000 | FAEFHA7 | B13 | B12 | S0 | S2 | | | | × | M6 | M8 | 22 | 25 | T | E | III | 14 | ✓ | ✓ | 18 | 12 | 8 |

| CODE | FLANGE TYPE |
|------|--|
| F | Flange End |
| AD | 24102 SOV as base Model |
| AE | 24202 SOV as base Model |
| FG | Flange End as per ASME 16.5 #150 Class |
| FH | Flange End as per ASME 16.5 #300 Class |

| SOLENOID | | | |
|-------------|----|-----|----------------------|
| Cable Entry | T | E | |
| | | ØcA | ØcA1 a |
| M20 x 1.5 | FJ | H | iiTÜ iiTÜ iiTÜ iiSVÜ |
| M25 x 1.5 | | | ii ii ii iiSV |
| 1/2" NPT | F | H | iiTÜ iiTÜ iiTÜ iiSVÜ |

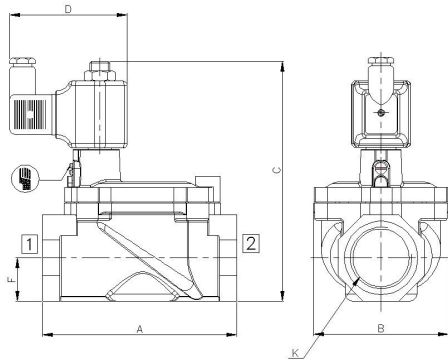
× = Do not specify when opted for. Refer Page # 22 for Value of ×
 ✓ = Options available

① Select appropriate Rubber Diaphragm for Media other than AIR.

2/2 DIAPHRAGM OPERATED, NORMALLY CLOSED/ OPEN SOLENOID VALVE

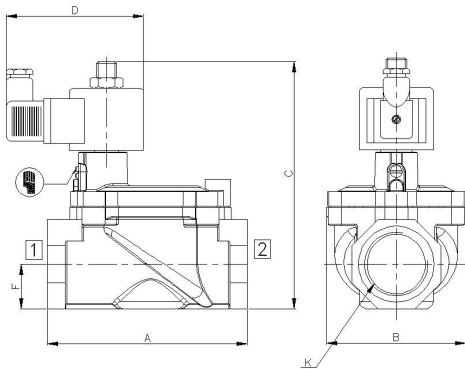
DIMENSIONS

All Dimensions are in mm



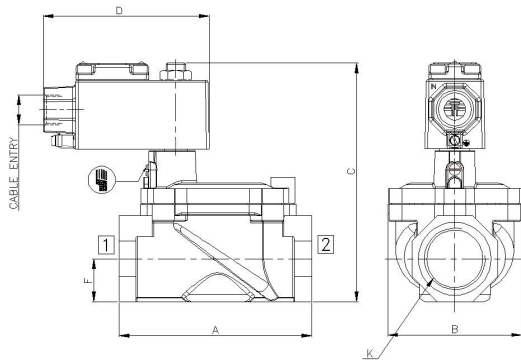
PLUG IN SOLENOID TYPE 22

| NW | K (PORT SIZE) | A | B | C | D | E | F | CONST. REF. |
|---------------------------------------|------------------|-----|-----|-----|----|-----|----|----------------|
| VALVE TYPE: 24109, 24101,24102 | | | | | | | | |
| 25 | 1" | 110 | 82 | 148 | 60 | 76 | 22 | 33 |
| 40 | 1 1/4" | 135 | 94 | 166 | 60 | 95 | 30 | 34 |
| 40 | 1 1/2" | 135 | 94 | 166 | 60 | 95 | 30 | 35 |
| 50 | 2" | 165 | 140 | 184 | 60 | 128 | 38 | 36 |
| 65 | 2 1/2" | 200 | 169 | 208 | 60 | 159 | 45 | 54 |
| 80 | 3" | 235 | 198 | 224 | 60 | 194 | 53 | 56 |



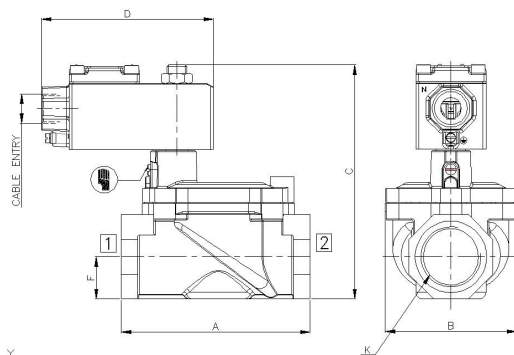
SQUARE PLUG IN SOLENOID TYPE 25

| NW | K (PORT SIZE) | A | B | C | D | E | F | CONST. REF. |
|---------------------------------------|------------------|-----|-----|-----|----|-----|----|----------------|
| VALVE TYPE: 24109, 24101,24102 | | | | | | | | |
| 25 | 1" | 110 | 82 | 148 | 68 | 76 | 22 | 33 |
| 40 | 1 1/4" | 135 | 94 | 166 | 68 | 95 | 30 | 34 |
| 40 | 1 1/2" | 135 | 94 | 166 | 68 | 95 | 30 | 35 |
| 50 | 2" | 165 | 140 | 184 | 68 | 128 | 38 | 36 |
| 65 | 2 1/2" | 200 | 169 | 208 | 68 | 159 | 45 | 54 |
| 80 | 3" | 235 | 198 | 224 | 68 | 194 | 53 | 56 |



TERMINAL BOX/ Ex d ENCLOSURE, TYPE 16, 19, 37, 39, 58, 58LT

| NW | K (PORT SIZE) | A | B | C | D | E | F | CONST. REF. |
|---------------------------------------|------------------|-----|-----|-----|----|-----|----|----------------|
| VALVE TYPE: 24109, 24101,24102 | | | | | | | | |
| 25 | 1" | 110 | 82 | 148 | 85 | 76 | 22 | 33 |
| 40 | 1 1/4" | 135 | 94 | 166 | 85 | 95 | 30 | 34 |
| 40 | 1 1/2" | 135 | 94 | 166 | 85 | 95 | 30 | 35 |
| 50 | 2" | 165 | 140 | 184 | 85 | 128 | 38 | 36 |
| 65 | 2 1/2" | 200 | 169 | 208 | 85 | 159 | 45 | 54 |
| 80 | 3" | 235 | 198 | 224 | 85 | 194 | 53 | 56 |



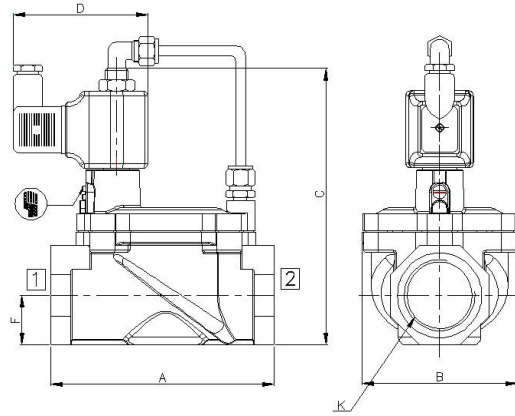
TERMINAL BOX/ Ex d LARGE ENCLOSURE, TYPE 16, 19, 37, 39, 58, 58LT, LC

| NW | K (PORT SIZE) | A | B | C | D | E | F | CONST. REF. |
|---------------------------------------|------------------|-----|-----|-----|----|-----|----|----------------|
| VALVE TYPE: 24109, 24101,24102 | | | | | | | | |
| 25 | 1" | 110 | 82 | 148 | 97 | 76 | 22 | 33 |
| 40 | 1 1/4" | 135 | 94 | 166 | 97 | 95 | 30 | 34 |
| 40 | 1 1/2" | 135 | 94 | 166 | 97 | 95 | 30 | 35 |
| 50 | 2" | 165 | 140 | 184 | 97 | 128 | 38 | 36 |
| 65 | 2 1/2" | 200 | 169 | 208 | 97 | 159 | 45 | 54 |
| 80 | 3" | 235 | 198 | 224 | 97 | 194 | 53 | 56 |

2/2 DIAPHRAGM OPERATED, NORMALLY CLOSED/ OPEN SOLENOID VALVE

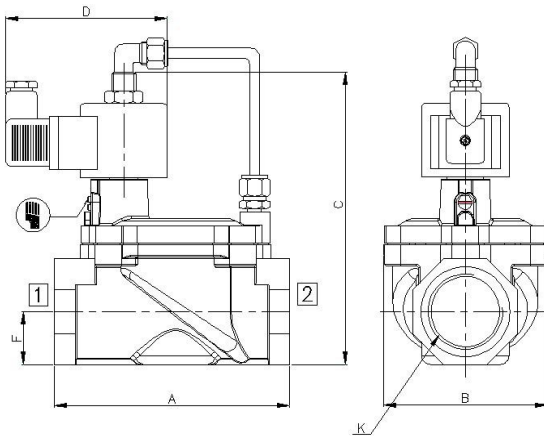
DIMENSIONS

All Dimensions are in mm



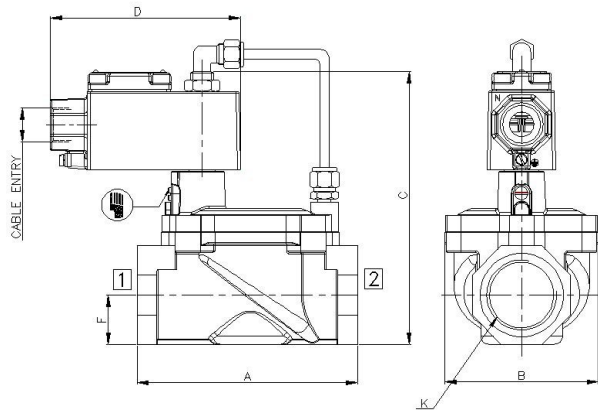
PLUG IN SOLENOID TYPE 22

| NW | K (PORT SIZE) | A | B | C | D | E | F | G | CONST. REF. |
|--------------------------------|------------------|-----|-----|-----|----|----|----|----|-------------|
| VALVE TYPE: 24201,24202 | | | | | | | | | |
| 12 | 1/2", 3/8", 1/4" | 65 | 50 | 128 | 82 | 00 | 15 | 00 | 37 |
| 20 | 3/4" | 84 | 64 | 137 | 82 | 00 | 17 | 00 | 38 |
| 25 | 1" | 110 | 82 | 148 | 82 | 00 | 25 | 00 | 39 |
| 40 | 1 1/2" | 135 | 94 | 166 | 82 | 00 | 30 | 00 | 40 |
| 50 | 2" | 165 | 140 | 184 | 82 | 00 | 38 | 00 | 41 |
| 65 | 2 1/2" | 200 | 169 | 208 | 82 | 00 | 45 | 00 | 42 |
| 80 | 3" | 235 | 198 | 224 | 82 | 00 | 53 | 00 | 43 |



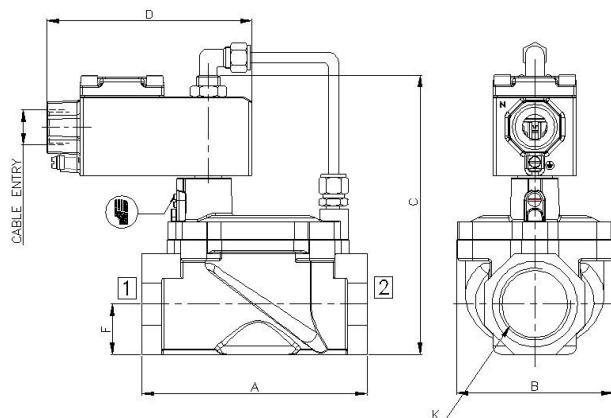
SQUARE PLUG IN SOLENOID TYPE 25

| NW | K (PORT SIZE) | A | B | C | D | E | F | G | CONST. REF. |
|---------------------------------|------------------|-----|-----|-----|----|----|----|----|-------------|
| VALVE TYPE: 24201, 24202 | | | | | | | | | |
| 12 | 1/2", 3/8", 1/4" | 65 | 50 | 128 | 93 | 00 | 15 | 00 | 37 |
| 20 | 3/4" | 84 | 64 | 137 | 93 | 00 | 17 | 00 | 38 |
| 25 | 1" | 110 | 82 | 148 | 93 | 00 | 25 | 00 | 39 |
| 40 | 1 1/2" | 135 | 94 | 166 | 93 | 00 | 30 | 00 | 40 |
| 50 | 2" | 165 | 140 | 184 | 93 | 00 | 38 | 00 | 41 |
| 65 | 2 1/2" | 200 | 169 | 208 | 93 | 00 | 45 | 00 | 42 |
| 80 | 3" | 235 | 198 | 224 | 93 | 00 | 53 | 00 | 43 |



TERMINAL BOX/ Ex d ENCLOSURE, TYPE 16, 19, 37, 39, 58, 58LT

| NW | K (PORT SIZE) | A | B | C | D | E | F | G | CONST. REF. |
|---------------------------------|------------------|-----|-----|-----|-----|----|----|----|-------------|
| VALVE TYPE: 24201, 24202 | | | | | | | | | |
| 12 | 1/2", 3/8", 1/4" | 65 | 50 | 128 | 116 | 00 | 15 | 00 | 37 |
| 20 | 3/4" | 84 | 64 | 137 | 116 | 00 | 17 | 00 | 38 |
| 25 | 1" | 110 | 82 | 148 | 116 | 00 | 25 | 00 | 39 |
| 40 | 1 1/2" | 135 | 94 | 166 | 116 | 00 | 30 | 00 | 40 |
| 50 | 2" | 165 | 140 | 184 | 116 | 00 | 38 | 00 | 41 |
| 65 | 2 1/2" | 200 | 169 | 208 | 116 | 00 | 45 | 00 | 42 |
| 80 | 3" | 235 | 198 | 224 | 116 | 00 | 53 | 00 | 43 |



TERMINAL BOX/ Ex d LARGE ENCLOSURE, TYPE 16, 19, 37, 39, 58, 58LT, LC

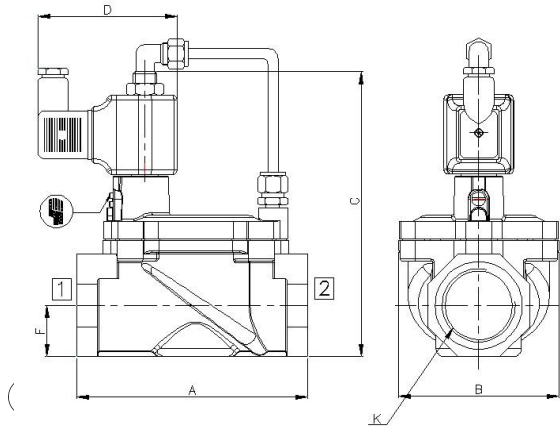
| NW | K (PORT SIZE) | A | B | C | D | E | F | G | CONST. REF. |
|---------------------------------|------------------|-----|-----|-----|-----|----|----|----|-------------|
| VALVE TYPE: 24201, 24202 | | | | | | | | | |
| 12 | 1/2", 3/8", 1/4" | 65 | 50 | 128 | 123 | 00 | 15 | 00 | 37 |
| 20 | 3/4" | 84 | 64 | 137 | 123 | 00 | 17 | 00 | 38 |
| 25 | 1" | 110 | 82 | 148 | 123 | 00 | 25 | 00 | 39 |
| 40 | 1 1/2" | 135 | 94 | 166 | 123 | 00 | 30 | 00 | 40 |
| 50 | 2" | 165 | 140 | 184 | 123 | 00 | 38 | 00 | 41 |
| 65 | 2 1/2" | 200 | 169 | 208 | 123 | 00 | 45 | 00 | 42 |
| 80 | 3" | 235 | 198 | 224 | 123 | 00 | 53 | 00 | 43 |

6

1/2 DIAPHRAGM OPERATED, NORMALLY CLOSED/ OPEN SOLENOID VALVE

DIMENSIONS

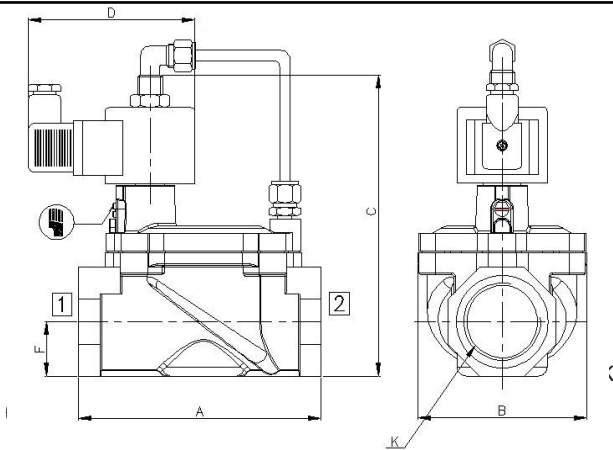
All Dimensions are in mm



PLUG IN SOLENOID TYPE 22

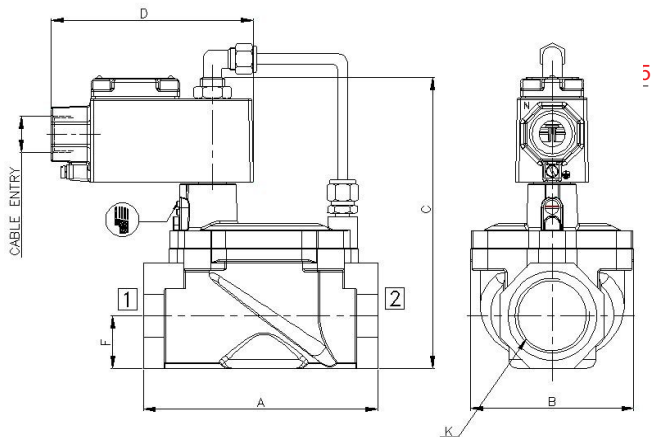
| NW | K (PORT SIZE) | A | B | C | D | E | F | CONST. REF. |
|--------------------------|------------------|-----|-----|-----|----|-----|----|----------------|
| VALVE TYPE: 24201, 24202 | | | | | | | | |
| 25 | 1" | 110 | 82 | 148 | 82 | 00 | 22 | 41 |
| 40 | 1 1/4" | 135 | 94 | 166 | 82 | 00 | 30 | 42 |
| 40 | 1 1/2" | 135 | 94 | 166 | 82 | 00 | 30 | 43 |
| 50 | 2" | 185 | 140 | 184 | 82 | 000 | 38 | 44 |
| 65 | 2 1/2" | 200 | 169 | 208 | 82 | 000 | 45 | 83 |
| 80 | 3" | 235 | 198 | 224 | 82 | 000 | 53 | 89 |

6



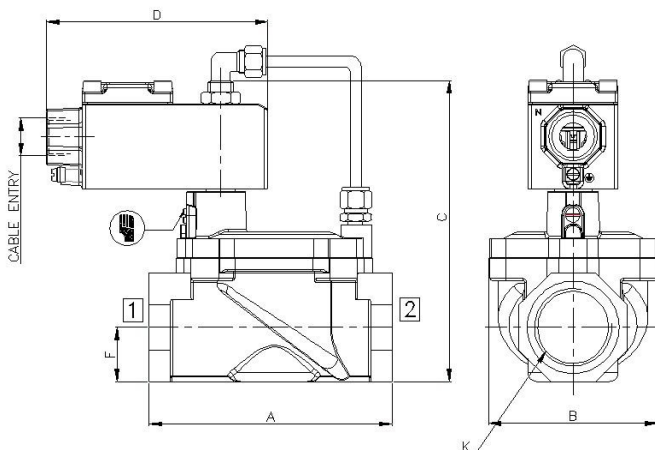
SQUARE PLUG IN SOLENOID TYPE 25

| NW | K (PORT SIZE) | A | B | C | D | E | F | CONST. REF. |
|--------------------------|------------------|-----|-----|-----|----|-----|----|----------------|
| VALVE TYPE: 24201, 24202 | | | | | | | | |
| 25 | 1" | 110 | 82 | 148 | 93 | 00 | 22 | 41 |
| 40 | 1 1/4" | 135 | 94 | 166 | 93 | 00 | 30 | 42 |
| 40 | 1 1/2" | 135 | 94 | 166 | 93 | 00 | 30 | 43 |
| 50 | 2" | 185 | 140 | 184 | 93 | 000 | 38 | 44 |
| 65 | 2 1/2" | 200 | 169 | 208 | 93 | 000 | 45 | 83 |
| 80 | 3" | 235 | 198 | 224 | 93 | 000 | 53 | 89 |



TERMINAL BOX/ Ex d ENCLOSURE, TYPE 16, 19, 37, 39, 58, 58LT

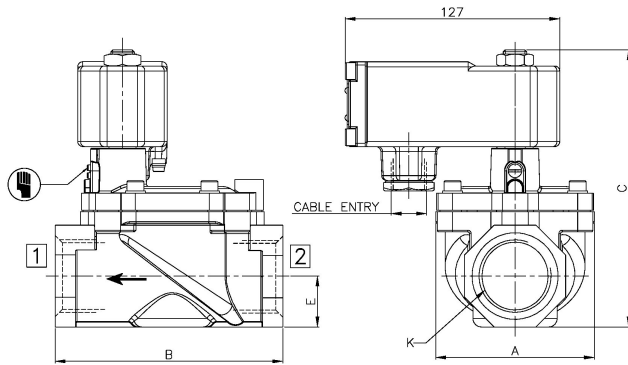
| NW | K (PORT SIZE) | A | B | C | D | E | F | CONST. REF. |
|--------------------------|------------------|-----|-----|-----|-----|-----|----|----------------|
| VALVE TYPE: 24201, 24202 | | | | | | | | |
| 25 | 1" | 110 | 82 | 148 | 116 | 00 | 22 | 41 |
| 40 | 1 1/4" | 135 | 94 | 166 | 116 | 00 | 30 | 42 |
| 40 | 1 1/2" | 135 | 94 | 166 | 116 | 00 | 30 | 43 |
| 50 | 2" | 185 | 140 | 184 | 116 | 000 | 38 | 44 |
| 65 | 2 1/2" | 200 | 169 | 208 | 116 | 00 | 45 | 83 |
| 80 | 3" | 235 | 198 | 224 | 116 | 000 | 53 | 89 |



TERMINAL BOX/ Ex d LARGE ENCLOSURE, TYPE 16, 19, 37, 39, 58, 58LT, LC

| NW | K (PORT SIZE) | A | B | C | D | E | F | CONST. REF. |
|--------------------------|------------------|-----|-----|-----|-----|-----|----|----------------|
| VALVE TYPE: 24201, 24202 | | | | | | | | |
| 25 | 1" | 110 | 82 | 148 | 123 | 00 | 22 | 41 |
| 40 | 1 1/4" | 135 | 94 | 166 | 123 | 00 | 30 | 42 |
| 40 | 1 1/2" | 135 | 94 | 166 | 123 | 00 | 30 | 43 |
| 50 | 2" | 185 | 140 | 184 | 123 | 000 | 38 | 44 |
| 65 | 2 1/2" | 200 | 169 | 208 | 116 | 000 | 45 | 83 |
| 80 | 3" | 235 | 198 | 224 | 116 | 000 | 53 | 89 |

2/2 DIAPHRAGM OPERATED, NORMALLY CLOSED SOLENOID VALVE

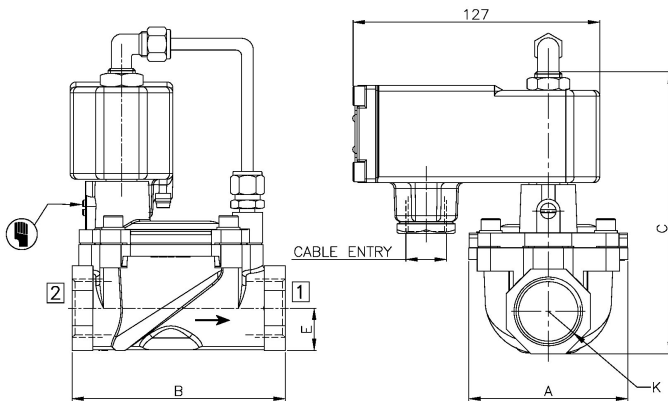


BCE SOLENOID/ Ex d TYPE 87

| NW | K (PORT SIZE) | A | B | C | E | CONST. REF. |
|---------------------------------|------------------|-----|-----|-----|----|----------------|
| VALVE TYPE: 24101, 24102 | | | | | | |
| 12 | 1/2", 3/8", 1/4" | 50 | 65 | 128 | 15 | 29 |
| 20 | 3/4" | 64 | 84 | 137 | 17 | 30 |
| 25 | 1" | 82 | 110 | 148 | 22 | 33 |
| 40 | 1 1/2" | 94 | 135 | 166 | 30 | 35 |
| 50 | 2" | 140 | 165 | 184 | 38 | 36 |
| 65 | 2 1/2" | 169 | 200 | 208 | 45 | 85 |
| 80 | 3" | 198 | 235 | 224 | 53 | 85 |

6

2/2 DIAPHRAGM OPERATED, NORMALLY OPEN SOLENOID VALVE



BCE SOLENOID/ Ex d TYPE 87

| NW | K (PORT SIZE) | A | B | C | E | CONST. REF. |
|---------------------------------|------------------|-----|-----|-----|----|----------------|
| VALVE TYPE: 24201, 24202 | | | | | | |
| 12 | 1/2", 3/8", 1/4" | 50 | 65 | 128 | 15 | 37 |
| 20 | 3/4" | 64 | 84 | 137 | 17 | 38 |
| 25 | 1" | 82 | 110 | 148 | 22 | 39 |
| 40 | 1 1/2" | 94 | 135 | 166 | 30 | 43 |
| 50 | 2" | 140 | 165 | 184 | 38 | 40 |
| 65 | 2 1/2" | 169 | 200 | 208 | 45 | 85 |
| 80 | 3" | 198 | 235 | 224 | 53 | 85 |

