

Carbon Steel Ball Valves with Spring Return Handle

Spring Return Handle to Close • Two-Piece Investment Cast Body • Conventional Port •
Blowout-Proof Stem • CS Trim • Vented Ball

2000 PSI/138 bar non-shock cold working pressure*

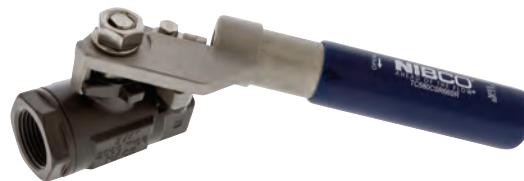
CONFORMS TO MSS SP-110 & NACE MR0175

MATERIAL LIST

| PART | SPECIFICATION |
|-------------------------------|--|
| 1. Handle Nut | Stainless Steel Type 304 |
| 2. Stem | Carbon Steel ASTM A108 Type 1045 |
| 3. Lock Washer | Stainless Steel Type 304 |
| 4. Threaded Pack Gland | Stainless Steel Type 316 |
| 5. Thrust Washer | Carbon Filled PTFE |
| 6. Gasket | Reinforced PTFE |
| 7. Body End Piece | Carbon Steel ASTM A216 Grade WCB (Investment Cast) |
| 8. Ball (Vented) | Stainless Steel ASTM A276 Type 304 |
| 9. Seats (2) | Reinforced PTFE |
| 10. Body | Carbon Steel ASTM A216 Grade WCB (Investment Cast) |
| 11. Stem Packing | Carbon Filled PTFE |
| 12. Handle | Stainless Steel Type 316 & 304 w/Vinyl Cover |
| 13. Mounting Plate | Stainless Steel ASTM A351 Type CF8M |
| 14. Socket Head Cap Screw (2) | Stainless Steel Type 304 |

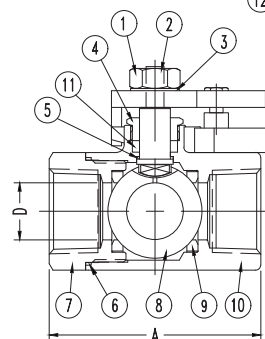
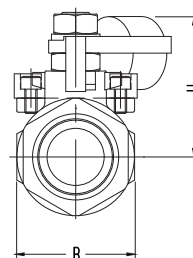
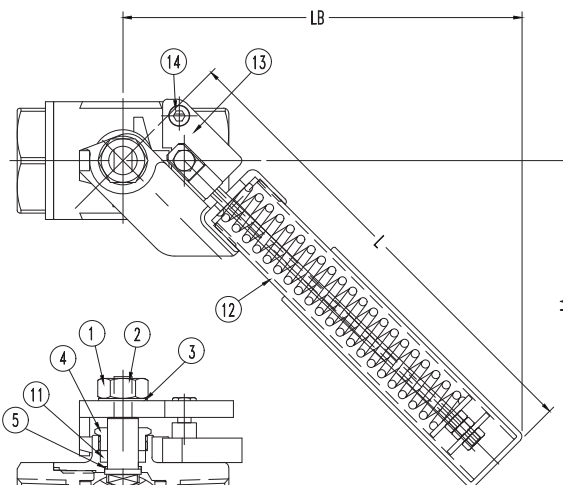
NOTE: Valves are static grounded by thrust washer and packing.

**Threaded and Press Lead Free
Bronze Ball Valve options available.
See Lead-free Valve Catalog.**



TC-580-CS-R-25-SR

Threaded



TC-580-CS-R-25-SR
NPT x NPT

DIMENSIONS—WEIGHTS—QUANTITIES

| Size | Dimensions | | | | | | | | T-580-S6-R-66-SR Master | | | | | | | | | |
|------|------------|------|-------|------|-------|------|-------|------|-------------------------|------|--------|------|--------|------|--------|-----------|------|----|
| | A | | B | | D | | H | | L | | LA | | LB | Lbs. | Kg. | Ctn. Qty. | | |
| In. | mm. | In. | mm. | In. | mm. | In. | mm. | In. | mm. | In. | mm. | In. | mm. | | | | | |
| ¼ | 8 | 2.08 | 52.80 | 0.94 | 24.00 | 0.37 | 9.50 | 1.54 | 39.25 | 7.09 | 180.00 | 4.88 | 123.93 | 5.74 | 145.85 | 0.60 | 0.27 | 10 |
| 3/8 | 10 | 2.08 | 52.80 | 0.94 | 24.00 | 0.37 | 9.50 | 1.54 | 39.25 | 7.09 | 180.00 | 4.88 | 123.93 | 5.74 | 145.85 | 0.75 | 0.34 | 10 |
| ½ | 15 | 2.34 | 59.50 | 1.18 | 30.00 | 0.50 | 12.70 | 1.69 | 42.95 | 7.09 | 180.00 | 4.88 | 123.93 | 5.74 | 145.85 | 1.34 | 0.61 | 8 |
| ¾ | 20 | 2.80 | 71.00 | 1.50 | 38.00 | 0.69 | 17.50 | 2.02 | 51.25 | 7.28 | 185.00 | 4.92 | 124.99 | 5.98 | 151.86 | 2.05 | 0.93 | 8 |
| 1 | 25 | 3.26 | 82.70 | 1.81 | 46.00 | 0.87 | 22.20 | 2.16 | 54.85 | 7.28 | 185.00 | 4.92 | 124.99 | 5.98 | 151.86 | 2.05 | 0.93 | 8 |
| 1 ¼ | 32 | 3.60 | 91.4 | 2.09 | 53.00 | 1.00 | 24.40 | 2.41 | 61.21 | 9.25 | 235.00 | 6.30 | 160.00 | 6.71 | 170.50 | 3.42 | 1.55 | 2 |
| 1 ½ | 40 | 4.06 | 103.0 | 2.52 | 64.00 | 1.25 | 31.75 | 2.60 | 66.01 | 9.25 | 235.00 | 6.30 | 160.00 | 6.71 | 170.50 | 4.66 | 2.11 | 2 |
| 2 | 50 | 4.65 | 118.0 | 3.03 | 77.00 | 1.50 | 38.10 | 2.87 | 72.81 | 9.25 | 235.00 | 6.30 | 160.00 | 6.71 | 170.50 | 6.44 | 2.92 | 2 |

◆ For detailed operating pressure, refer to pressure temperature chart on pages 66 and 67 in the Ball catalog.



WARNING: This product can expose you to chemicals including lead, which is known to the State of California to cause cancer and birth defects or other reproductive harm. For more information go to www.P65Warnings.ca.gov.

Visit our website for the most current information.