

# Carbon Steel Ball Valves

Three-Piece Body • Full Port • Blowout-Proof Stem •  
316 SS Trim • Vented Ball

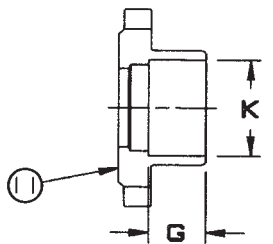
**1000 PSI/69 bar non-shock cold working pressure\***

CONFORMS TO MSS SP-110

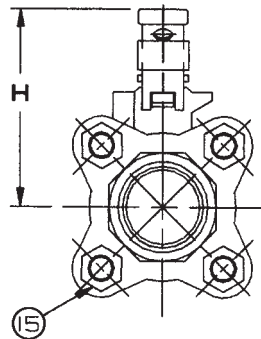
## MATERIAL LIST

PART	SPECIFICATION
1. Handle Nut	Carbon Steel ASTM A 283
2. Stem	Stainless Steel ASTM A 276 Type 316
3. Lock Washer	Carbon Steel
4. Stem Packing (1 Set)	Carbon Filled PTFE
5. Thrust Washer	Carbon Filled PTFE
6. Cap Bolt (4)	Carbon Steel ASTM A 193 Grade B7
7. Union Seal (2)	Reinforced PTFE
8. Ball (Vented)	Stainless Steel ASTM A 276 Type 316 or ASTM A 351 Type CF8M
9. Body	Carbon Steel ASTM A 216 Grade WCB
10. Seat (2)	Reinforced PTFE
11. Body End (2)	Carbon Steel ASTM A 216 Grade WCB
12. Lock Washer (4)	Carbon Steel
13. Threaded Pack Gland	Carbon Steel ASTM A 108 Type 1045
14. Handle	Carbon Steel ASTM A 283
15. Cap Nut (4)	Carbon Steel ASTM A 283

**NOTE:** valves are static grounded by thrust washer and packing.



SOCKET WELD ENDS

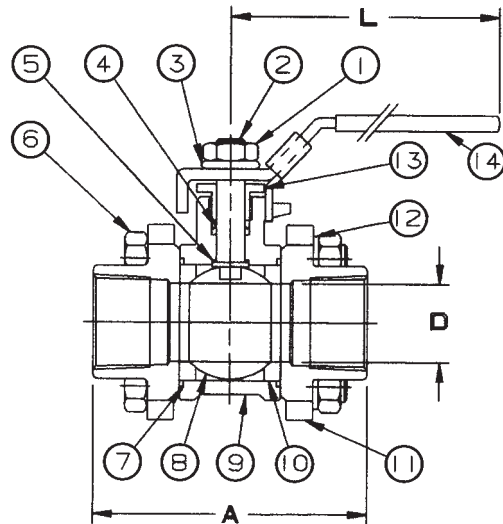


**T-595-CS-R-66-LL**

Threaded

**K-595-CS-R-66-LL**

Socket Weld  
(1/2" - 2")



T or K 595-CS-R-66-LL  
NPT x NPT or SOC x SOC

## DIMENSIONS—WEIGHTS—QUANTITIES

Size	Dimensions							T or K-595-CS-R-66-LL		Master Ctn. Qty.
	A	D	G	K	H	L	Lbs.	Kg.		
In. mm.	In. mm.	In. mm.	In. mm.	In. mm.	In. mm.	In. mm.				
1/4	8 2.36	60 .34	9 —	— —	2.18 55	4.17 106	.97	.44	10	
3/8	10 2.36	60 .34	9 —	— —	2.18 55	4.17 106	.97	.44	10	
1/2	15 2.76	70 .56	14 .38	10 .86	2.38 60	4.17 106	1.23	.56	10	
3/4	20 3.03	77 .81	21 .50	13 1.07	2.87 73	5.71 145	1.91	.87	10	
1	25 3.62	92 1.00	25 .50	13 1.34	3.4 75	5.71 145	2.93	1.33	8	
1 1/4	32 4.13	105 1.25	32 .50	13 1.69	4.3 93	7.36 187	4.27	1.94	5	
1 1/2	40 4.72	110 1.50	38 .50	13 1.93	4.9 100	7.36 187	6.01	2.73	5	
2	50 5.43	138 1.97	50 .62	16 2.42	6.1 108	7.95 202	9.50	4.32	5	

◆ For detailed operating pressure, refer to pressure temperature chart on pages 71 and 72.

Visit our website for the most current information.