

Stainless Steel Ball Valves

Two-Piece Body • Conventional Port • Blowout-Proof Stem •
316 SS Trim • Cast Mounting Pad • Vented Ball

2000 PSI/138 bar non-shock cold working pressure*

CONFORMS TO MSS SP-110

MATERIAL LIST

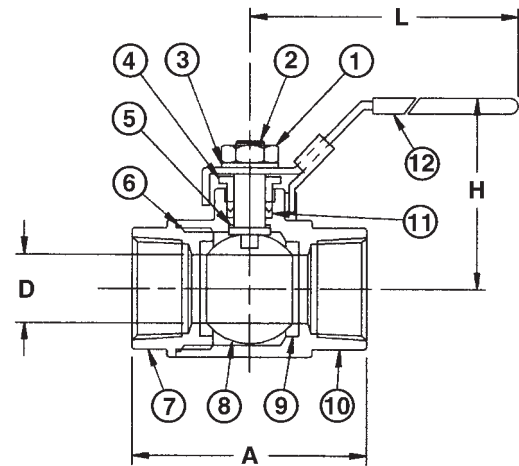
PART	SPECIFICATION
1. Handle Nut	Stainless Steel ASTM A 276 Type 304
2. Stem	Stainless Steel ASTM A 276 Type 316
3. Lock Washer	Stainless Steel 304 SS
4. Threaded Pack Gland	Stainless Steel ASTM A 276 Type 316
5. Thrust Washer	Carbon Filled PTFE
6. Gasket	PTFE
7. Body End Piece	Stainless Steel ASTM A 351 Type CF8M
8. Ball (Vented)	Stainless Steel ASTM A 276 Type 316 or ASTM A 351 Type CF8M
9. Seat (2)	Reinforced PTFE
10. Body	Stainless Steel ASTM A 351 Type CF8M
11. Stem Packing (2)	Carbon Filled PTFE
12. Locking Handle	Stainless Steel ASTM A 240 Type 304

NOTE: valves are static grounded by thrust washer and packing.
Valves tested in accordance with ASME B16.34

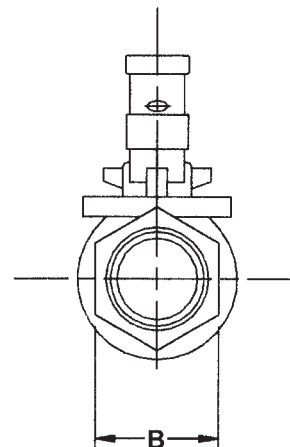


T-580-S6-R-66-LL

Threaded



T-580-S6-R-66-LL
NPT x NPT



DIMENSIONS—WEIGHTS

SIZE	Dimensions						Weight		Master Ctn. Qty.	
	A		B		D		H			L
In. mm.	In. mm.	In. mm.	In. mm.	In. mm.	In. mm.	In. mm.	In. mm.	Lbs.	Kg.	
¼ 8	2.07 53	0.83 21	0.37 9	4.33 110	1.76 45	0.51 0.23	10			
⅜ 10	2.07 53	0.83 21	0.37 9	4.33 110	1.76 45	0.48 0.22	10			
½ 15	2.34 59	1.06 27	0.5 13	4.33 110	1.92 49	0.66 0.3	10			
¾ 20	2.8 71	1.34 34	0.69 18	5.83 148	2.4 61	1.3 0.59	10			
1 25	3.23 82	1.61 41	0.87 22	5.83 148	2.56 65	1.79 0.81	10			
1 ¼ 32	3.57 91	1.89 48	1 25	7.76 197	2.74 70	2.52 1.14	5			
1 ½ 40	4.04 103	2.26 57	1.25 32	7.76 197	2.98 76	3.75 1.7	5			
2 50	4.63 118	2.76 70	1.5 38	7.76 197	3.17 81	5.8 2.63	5			

◆For detailed operating pressure, refer to pressure temperature chart on pages 71 and 72.

Visit our website for the most current information.