

# Carbon Steel Ball Valves

Two-Piece Bar Stock Body • Conventional Port •  
Blowout-roof Stem • 316 SS Trim • Vented Ball

**2000 PSI/138 bar non-shock cold working pressure (1/4"-1")**  
**1500 PSI/103 bar non-shock cold working pressure (1 1/4"-2")♦**

CONFORMS TO MSS SP-110

## MATERIAL LIST

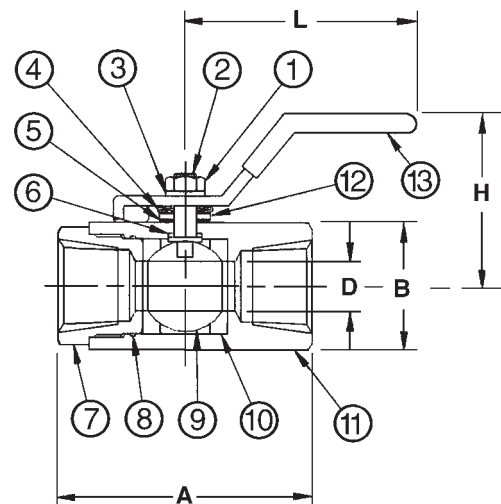
PART	SPECIFICATION
1. Handle Nut	Carbon Steel ASTM A 283
2. Stem	Stainless Steel ASTM A 276 Type 316
3. Lock Washer	Carbon Steel
4. Belleville Washer (2)	Carbon Steel ASTM A 686
5. Stem Packing (2)	Reinforced PTFE
6. Thrust Washer	Carbon Filled PTFE
7. Body End Piece	Carbon Steel ASTM A 108 Type 1018
8. Spacer Seal	PTFE
9. Ball (Vented)	Stainless Steel ASTM A 276 Type 316 or ASTM A 351 Type CF8M
10. Seat (2)	Reinforced PTFE
11. Body	Carbon Steel ASTM A 108 Type 1018
12. Gland Washer	Stainless Steel ASTM A 240 Type 304
13. Handle	Carbon Steel ASTM A 283

1/4"-1" 2000 PSI CWP, 1 1/4"-2" 1500 PSI CWP.

NOTE: valves are static grounded by thrust washer and packing.



**T-580-CS-R-66**  
Threaded



**T-580-CS-R-66**  
NPT x NPT

## DIMENSIONS—WEIGHTS—QUANTITIES

Size	Dimensions						T-580-CS-R-66 Lbs.	Kg.	Master Ctn. Qty.					
	A	B	D	H	L									
In.	mm.	In.	mm.	In.	mm.	In.	mm.	In.	mm.					
1/4	8	2.30	58	1.02	26	.38	10	2.22	56	4.13	105	.59	.27	10
3/8	10	2.30	58	1.02	26	.38	10	2.22	56	4.13	105	.55	.25	10
1/2	15	2.52	64	1.26	32	.50	10	2.44	62	4.17	105	.79	.36	10
3/4	20	2.95	75	1.61	41	.69	13	2.64	66	4.17	105	1.43	.65	10
1	25	3.35	85	1.97	50	.89	18	2.83	72	5.83	148	2.40	1.08	10
1 1/4	32	3.66	93	2.17	55	1.00	25	2.97	75	5.83	148	3.01	1.37	5
1 1/2	40	4.11	104	2.64	67	1.25	32	3.25	83	7.00	182	4.80	2.20	5
2	50	4.61	117	3.03	77	1.50	38	3.54	90	7.24	185	6.62	3.00	5

♦For detailed operating pressure, refer to pressure temperature chart on pages 71 and 72.

Visit our website for the most current information.