

Bronze Ball Valves

Two-Piece Body • Full Port • Bronze Trim • 3/4" Hose Connection with Cap • Blowout-Proof Stem
600 PSI/41.4 bar non-shock cold working pressure*

CONFORMS TO MSS SP-110

MATERIAL LIST

PART	SPECIFICATION
1. Handle Nut	Zinc Plated Steel
2. Handle	Zinc Plated Steel Clear Chromate Plastisol Coated
3. Threaded Pack Gland	Brass ASTM B 16 Alloy C36000
4. Packing	PTFE
5. Thrust Washer	Reinforced PTFE
6. Stem	Silicon Bronze ASTM B 371 Alloy C69300 or ASTM B 99 Alloy C65100
7. Ball	Brass ASTM B 124 Alloy C37700 or ASTM B16 Alloy C36000 EACH with Hard Chrome Plate
8. Seat Ring (2)	Reinforced PTFE
9. Body	Bronze ASTM B 584 Alloy C84400
10. Hose Body End	ASTM B 124 Alloy C37700
11. ¹ Cap	Die Cast Brass
12. Gasket	EPDM Rubber
13. Retainer	Soft PVC

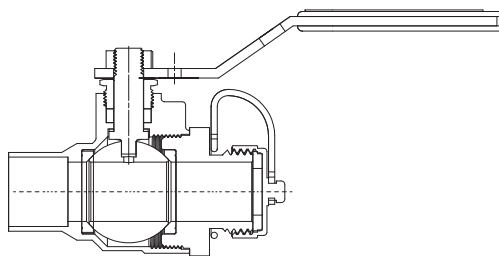
¹ Cap is for hose end thread protection only. Not to be used for pressure containing purposes.



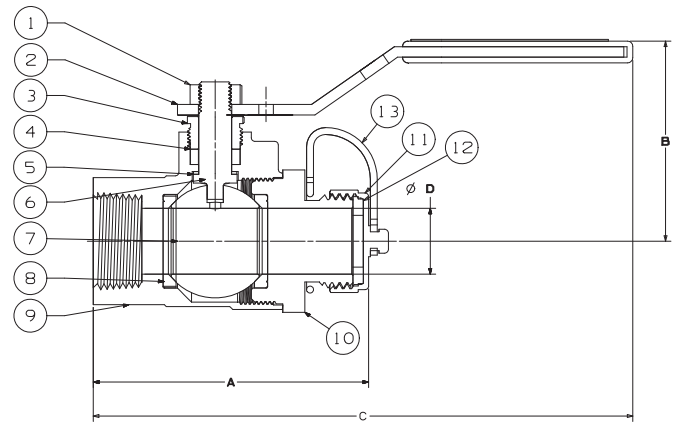
T-585-70-HC
Threaded x Hose



S-585-70-HC
Solder x Hose



S-585-70-HC
C x Hose



T-585-70-HC
NPT x Hose

DIMENSIONS—WEIGHTS—QUANTITIES

Size	Dimensions												T-585-70-HC		S-585-70-HC		Master Ctn. Qty.	
	T-585-70-HC		S-585-70-HC		T-585-70-HC		S-585-70-HC		D		T-585-70-HC		S-585-70-HC					
	A	B	A	B	C	C	D	D	Lbs.	Kg.	Lbs.	Kg.						
1/2	15	2.84	72	2.90	74	1.88	48	5.19	132	5.25	133	.50	13	.80	.36	.74	.34	100
3/4	20	3.31	84	3.47	88	2.25	57	6.25	159	6.25	159	.75	19	1.46	.66	1.42	.65	50

Note: solder end is designed to be soft-soldered into lines using solders with the melting point not exceeding 500°F. Higher temperature solders will damage the seat material. See installation sheet packaged with valves.

♦ For detailed operating pressure, refer to pressure temperature chart on page 42.



WARNING: This product can expose you to chemicals including lead, which is known to the State of California to cause cancer and birth defects or other reproductive harm. For more information go to www.P65Warnings.ca.gov.

**LEAD FREE*
OPTION
AVAILABLE**

*Weighted average lead content ≤ 0.25%

Visit our website for the most current information.