

## 150 PSI Butterfly Valves

Ductile Iron Body • Cartridge Liner • Lug Style

Sizes 14", 16", 18", 20", and 24"

Install between Std. ASME Class 125/150 flanges. 150 PSI bi-directional dead end service rating without a downstream flange. Do NOT install between AWWA C115/A21.5 type flanges.

THIRD PARTY CERTIFIED BY QAI TO MEET MSS SP-67 STANDARD

- CERTIFIED LEAD -FREE\* BY TRUESDAIL • NSF/ANSI 372

### MATERIAL LIST

PART	SPECIFICATION
1. Screw	Steel, ANSI 1035 (2) 16" & 18" (4) 20" & 24"
2. Bottom Plate	Ductile Iron ASTM A536 grade 65-45-12
3. O-ring	Nitrile ASTM D2000
4. Body	Ductile Iron ASTM A536 grade 65-45-12
5. Long Bushing	Bronze ASTM B584 UNS C83600
6. Stem*	Stainless Steel ASTM A582 UNS S41600 Stainless Steel ASTM A276 UNS S31600
7. Disc	Aluminum bronze ASTM B148 UNS C95400 Ductile Iron ASTM A536 grade 65-45-12 Nickel Plated Stainless Steel ASTM A351 CF8M
8. Taper Pin (2)	Stainless Steel ASTM A564 UNS S17400
9. Seat	Nitrile ASTM D2000 EPDM ASTM D2000
10. Nameplate	Aluminum
11. Short Bushing (2)	Bronze ASTM B584 UNS C83600
12. O-ring	Nitrile ASTM D2000
13. Key	Steel, ASTM A108 UNS C10450
14. Screw	Steel, ANSI 1035 (6) 14" thru 18" (8) 20" & 24"
15. Retainer Plate	ASTM A570 GR33 Galvanized
16. Bolts M6	ASTM A570 GR33 Galvanized

\*24" has S43100 SS Stem

### DIMENSIONS — WEIGHTS

Size	A	Minimum.	B	C				G	H	I
In. mm	Dia.	Pipe I.D.	Dia.	Dia.	D	E	F	Body	Seat	Dia.
14" 350	13.12	13.02	14.77	17.20	14.49	1.77	26.77	3.00	3.13	1.244
16" 400	15.34	15.20	17.30	19.21	15.75	2.02	29.93	3.37	3.54	1.305
18" 450	17.34	17.09	19.31	21.22	16.61	2.02	31.54	4.12	4.29	1.494
20" 500	19.36	18.90	21.08	23.31	18.90	2.53	35.64	5.13	5.31	1.619
24" 600	23.33	23.05	25.71	32.09	22.13	2.76	42.96	5.96	6.14	1.993

### DIMENSIONS — WEIGHTS

Size	J	K	L	M	P	Q	R	T	WEIGHT	
In. mm	Dia.	Dia.	Dia.	Drive Key		Dia.	Dia.	In.	Lbs.	Kg
14" 350	5.51	4.25	0.55	.250 x 1.125 WOODRUFF #809	12	1"-8 UNC	18.75	17.52	141	64
16" 400	7.76	6.25	0.83	.312 X.312 X 1.811 LONG	16	1"-8 UNC	21.25	20.08	199	90
18" 450	7.76	6.25	0.83	.375 X .375 X 1.881 LONG	16	1-1/8"-7 UNC	22.75	21.26	261	119
20" 500	7.76	6.25	0.83	.375 x .375 x 1.811 LONG	20	1-1/8"-7 UNC	25.00	24.02	395	179
24" 600	10.87	8.50	0.94	.500 x .500 x 2.362 LONG	20	1-1/4"-7 UNC	29.50	27.87	591	268

**WARNING:** This product can expose you to chemicals including lead, which is known to the State of California to cause cancer and birth defects or other reproductive harm. For more information go to [www.P65Warnings.ca.gov](http://www.P65Warnings.ca.gov).

\*Weighted average lead content ≤ 0.25%

Visit our website for the most current information.

### LD-1000/LD-1100

Lug Style  
EPDM or Buna-N Liner  
Aluminum Bronze Disc

### LD-1010/LD-1110

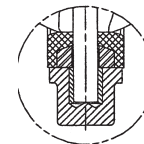
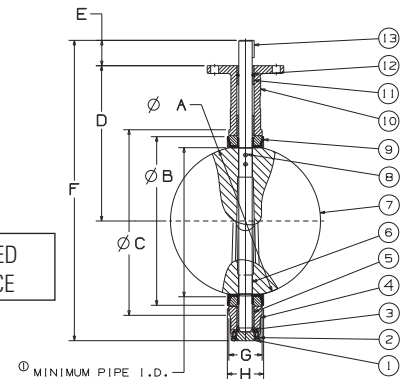
Lug Style  
EPDM or Buna-N Liner  
Ductile Iron Disc

### LD-1022/LD-1122

Lug Style  
EPDM or Buna-N Liner  
Stainless Steel Disc



NOT RECOMMENDED FOR STEAM SERVICE



14" Reference Lower Shaft Well

