

285 PSI Flanged End Butterfly Valves

Polyamide Coated Ductile Iron Body • Extended Neck • Cold Form Stem Drive
• Elastomer Encapsulated Disc • Flanged Ends • Maximum Temperature 200°F
with EPDM Only • ASME B16.10 Face-to-Face Dimensions

Patent pending

Sizes 2" through 10"

Install between Std. ASME Class 125/150 flanges.

DESIGNED TO MEET MSS SP-67 STANDARD
NSF/ANSI/CAN 372 - 2020

MATERIAL LIST

PART	SPECIFICATION
1. Upper Stem	Stainless Steel, ASTM A582 Type 416
2. Upper Bushing	PTFE over Porous Bronze, Steel Backed
3. "O" Ring	EPDM or BUNA-N
4. Body	Ductile Iron ASTM A536 with Polyamide Coating
5. Disc	Ductile Iron ASTM A395 with EPDM or BUNA-N Encapsulation
6. Lower Bushing	PTFE over Porous Bronze, Steel Backed
7. Lower Stem	Stainless Steel, ASTM A582 Type 416
8. Dust Plug	PVC
9. Nameplate	Aluminum

Class 150 ends are standard. PN10, PN16 available.

Sizes 2" through 8", 285 psi - 10" 200 PSI

Polyamide coating has NSF certification

DIMENSIONS — WEIGHTS

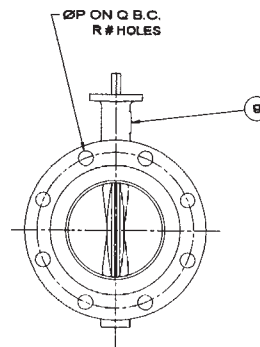
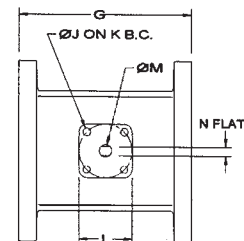
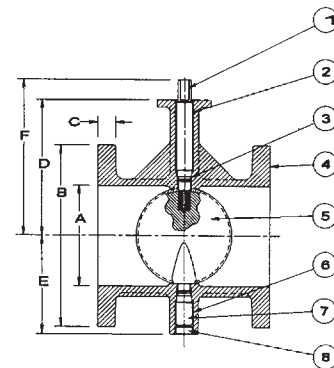
Size		A	B	C	D	E	F	G	H
In.	mm.								
2	50	2.11	6.0	0.62	5.69	3.16	6.94	7.00	3.62
2 1/2	65	2.59	7.0	0.69	5.78	3.25	7.03	7.50	4.12
3	80	3.07	7.5	0.75	5.99	3.54	7.24	8.00	5.00
4	100	4.03	9.0	0.94	6.99	4.35	8.24	9.00	6.19
5	125	5.05	10.0	0.94	7.47	4.85	8.72	10.00	7.31
6	150	6.07	11.0	1.00	8.28	5.94	9.53	10.50	8.50
8	200	7.98	13.5	1.12	9.25	6.87	10.50	11.50	10.62
10	250	10.02	16.0	1.19	11.03	9.18	12.28	13.00	12.75

Size		J	K	L	M	N	P	Q	R	Weight	
In.	mm.									Lbs.	Kg.
2	50	0.437	3.25	3.25	0.50	0.37	0.75	4.75	4	16	7.3
2 1/2	65	0.437	3.25	3.25	0.50	0.37	0.75	5.50	4	23	10.4
3	80	0.437	3.25	3.25	0.50	0.37	0.75	6.00	4	27	12.3
4	100	0.437	3.25	3.25	0.66	0.50	0.75	7.50	8	43	19.5
5	125	0.437	3.25	3.25	0.66	0.50	0.88	8.50	8	52	23.6
6	150	0.437	3.25	3.25	0.78	0.56	0.88	9.50	8	65	29.5
8	200	0.437	3.25	3.25	0.78	0.56	0.88	11.75	8	93	42.2
10	250	0.562	5.00	4.75	1.06	0.75	1.00	14.25	12	154	69.9



FD-57*5-0

*Optional disc
EPDM (6)
or BUNA (7)



WARNING: This product can expose you to chemicals including lead, which is known to the State of California to cause cancer and birth defects or other reproductive harm. For more information go to www.P65Warnings.ca.gov.

Visit our website for the most current information.

NOT RECOMMENDED
FOR STEAM SERVICE