

For Commercial and Industrial Applications

Job Name _____

Contractor _____

Job Location _____

Approval _____

Engineer _____

Contractor's P.O. No. _____

Approval _____

Representative _____

Series F127W

Flanged High Capacity Water Pressure Reducing Valves

Sizes: 3" – 4" (80 – 100mm)

Series F127W Flanged High Capacity Water Pressure Reducing Valves are designed to reduce incoming water pressure to a sensible level to protect plumbing system components and reduce water consumption. The F127W is a remote control type regulator ideal for commercial and industrial applications where a regulator must reach full capacity with a minor drop in reduced pressure. This series is also suitable for applications where close pressure regulation is required through extensive volume demand. This series is suitable for water supply pressures up to 175psi (12.1 bar) and may be adjusted from 25 – 100psi (172 – 690 kPa). All parts are quickly and easily serviceable.

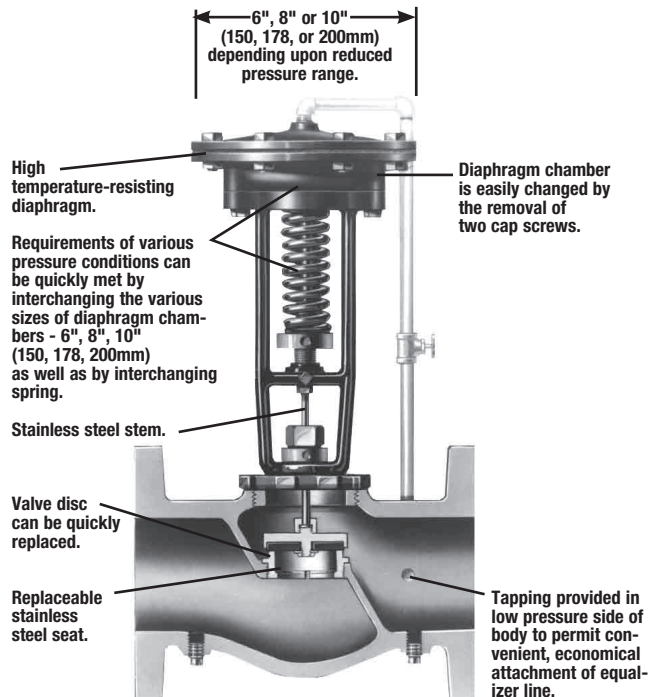
Features

- Replaceable stainless steel seat
- Outstanding maintenance features
- Close control of reduced pressure
- High temperature-resisting diaphragm
- Interchangeable diaphragm chamber
- Iron body triple coated with special corrosion preventative materials superior to hot dip galvanizing

Specifications

A Water Pressure Reducing Valve shall be installed on the water service pipe near its entrance to the building where supply main pressure exceeds 60psi (413 kPa) to reduce it to 60psi (413 kPa) or lower. The valve shall be equipped with a $\frac{3}{8}$ " (10mm) tapping to receive equalizer piping and a $\frac{3}{4}$ " (20mm) tapping to receive auxiliary regulator piping for low flow requirements. Valve shall be a Watts Series F127W.

4" (100mm) F-127W



Materials

Body: Iron
 Seat: Replaceable stainless steel
 Stem: Stainless steel

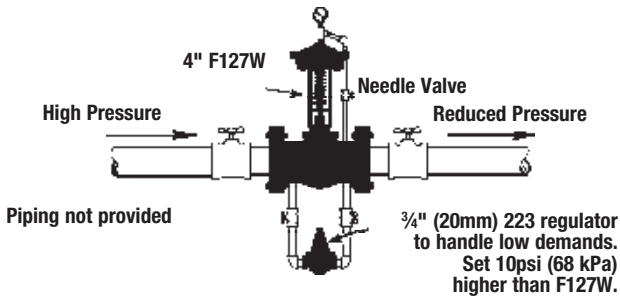
Pressure – Temperature

Temperature Range: 33°F – 160°F (0.5°C – 71°C)
 Maximum Working Pressure: 175psi (12.1 bar)
 Adjustable Reduced Pressure Range: 25 – 100psi
 (172 – 690 kPa)

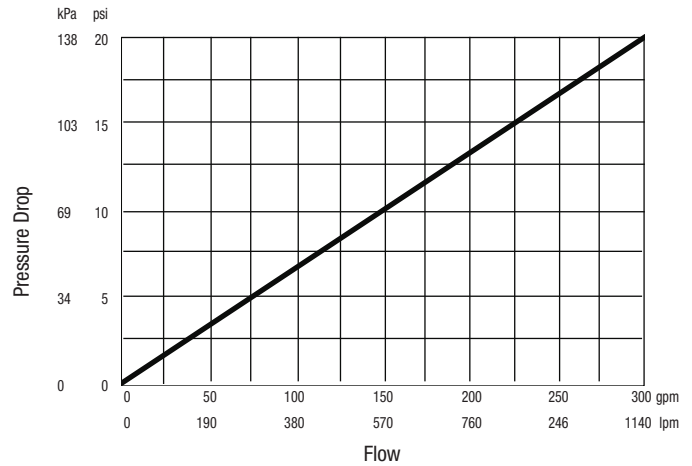
Options (4" size only)

WR 3/4" (20mm) Model 223 auxiliary regulator.
 (Piping not included)

Option WR



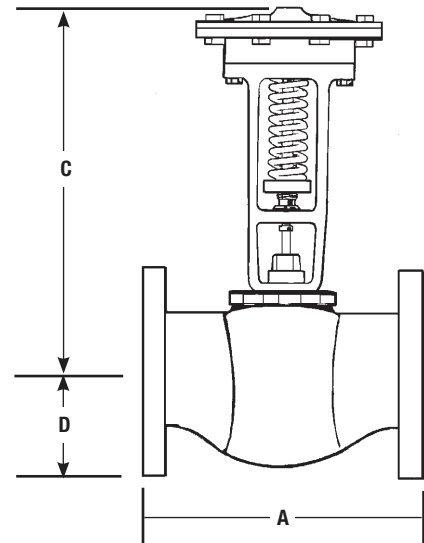
Capacity



NOTE: The information contained herein is not intended to replace the full product installation and safety information available or the experience of a trained product installer. You are required to thoroughly read all installation instructions and product safety information before beginning the installation of this product.

Dimensions – Weights

SIZE (DN)		Connection	DIMENSIONS				WEIGHT			
in.	mm		A		C		D			
			in.	mm	in.	mm	in.	mm	lbs.	kgs.
3"	80	flanged	8	203	16 3/4	425	3 3/4	95	42	19
4"	100	flanged	12 1/8	308	16 3/4	425	4 1/2	114	84	38



A Watts Water Technologies Company



ISO 9001-2008
 CERTIFIED

USA: Tel. (978) 688-1811 • Fax: (978) 794-1848 • www.watts.com
 Canada: Tel. (905) 332-4090 • Fax: (905) 332-7068 • www.wattscanada.ca