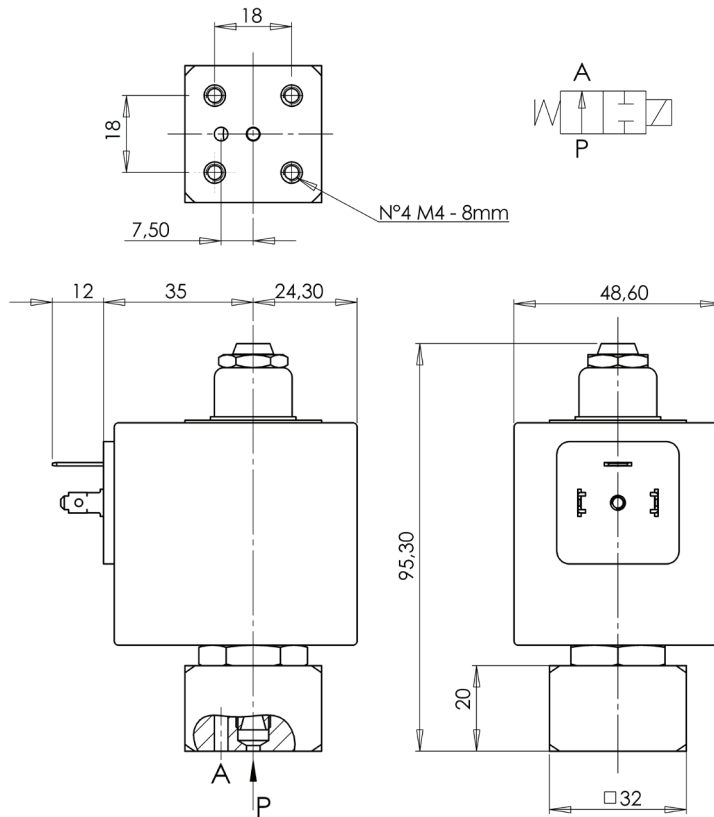


ASCO™ SOLENOID VALVE

2/2 NORMALLY OPEN – DIRECT ACTING - SUB-BASE MOUNTING

SERIES
L248



General Features

Direct acting solenoid valve, designed for sub-base mounting or directly on the equipment.

Inlet and outlet ports placed asymmetrically at the bottom of the body.

Suitable to shut off liquid and gaseous fluids; (verify the compatibility of fluid with materials in contact).

Technical Features

Maximum allowable pressure (PS)	40 bar
Opening time	~30ms
Closing time	~30ms
Fluid temperature	-10°C +170°C
Max viscosity	5°E (~37 cStokes or mm ² /s)

Materials in Contact with Fluid

Body	Brass
Sealing	Stainless steel
Internal components	Stainless steel
Seat	Stainless steel
Guide assembly	Stainless steel
Shading ring	Copper

Coil

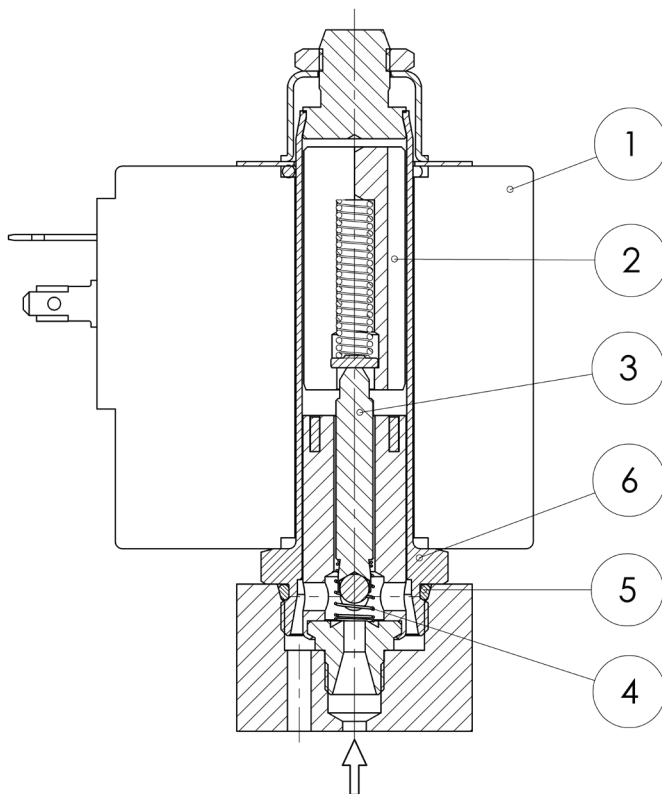
Continuous duty	ED 100%
Encapsulation material	PPS (Polyphenylsulfure) fiberglass reinforced
Insulation class	H (165°C)
Ambient temperature	-10°C +80°C
Electric connection	DIN 46340 - 3 poles connectors (EN175301-803)
Protection degree	IP 65 (EN 60529) with plug connector
Voltages	AC
	24V/50Hz - 110V/50Hz (120V/60Hz) - 230V/50Hz (+10% -15%) (Other voltages and frequencies on request)

Port size ISO 228	Orifice size (mm)	Differential pressure (bar)				Kv (m ³ /h)	Series and type		Power absorption			Sealings	Notes	Weight (kgs)	
		Δp min	Δp max		Valve		Coil	AC (VA)		DC (W)					
			AC	DC				Inrush	Holding						
-	3	0	-	-	30	-	0,25	L248M03	Z923A	50	27	-	Stainless steel	-	0,790

**SERIES
L248**

ASCO™ SOLENOID VALVE
2/2 NORMALLY OPEN – DIRECT ACTING - SUB-BASE MOUNTING

Spare Parts



Kit description	Kit P.N.	Consisting of:
Core kit	G3085801	Core pos. 2 Sealing group pos.3 Sealing return spring pos. 4 OR guide assembly pos. 5
Sealing return spring kit	G2029901	N°. 10 Sealing return spring pos.4
OR guide assembly kit	GU2424000017	N. 10 OR guide assembly pos. 5
Guide pipe assembly	3085601R	Guide pipe assembly pos. 6
Coil	Z923A	Coil pos. 1

Installation

- Solenoid valve can be mounted in any position; vertical with coil upwards preferred.

THE VALIDITY OF REPORTED DATA IS REFERRED TO THE DATE OF ISSUE. POSSIBLE UPDATES ARE AVAILABLE ON REQUEST