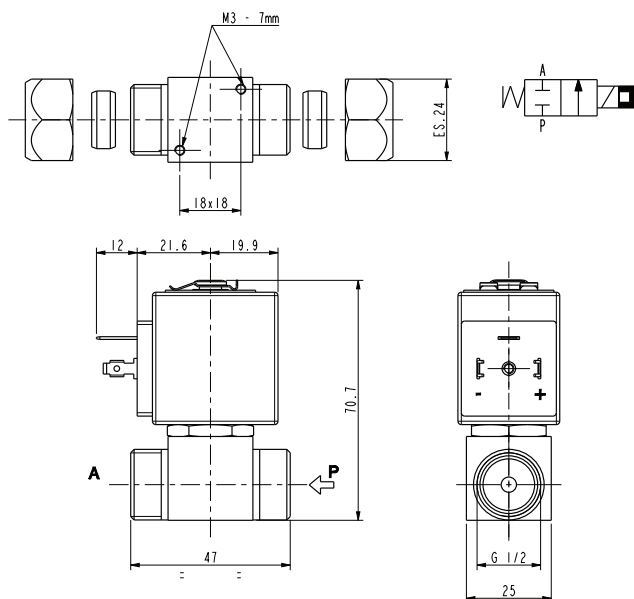


ASCO™ SOLENOID VALVE

2/2 NORMALLY CLOSED – DIRECT ACTING



General Features

Direct acting solenoid valve.

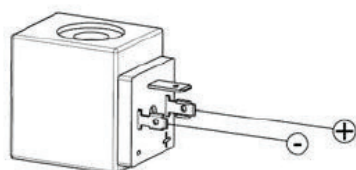
Fitted with compression fittings for copper tubes O.D. 15 mm.

Suitable to shut off liquid and gaseous fluids (verify the compatibility of fluid with materials in contact).

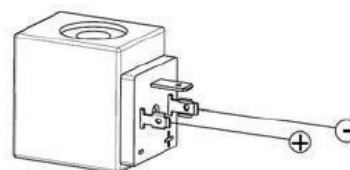
Technical Features	
Maximum allowable pressure (PS)	20 bar
Opening time	≤ 30 ms
Closing time	≤ 30 ms
Fluid temperature	-10°C +85°C
Max viscosity	5°E (37 cStokes o mm ² /s)

Materials in Contact with Fluid	
Body	Brass
Sealing	EPDM (WRAS/KTW approved)
Internal components	Stainless steel
Seat	Brass
Core tube	Stainless steel

Coil	
Duty	Latching model, polarized type. Operating by impulses.
Minimum energizing time	30 ms
Maximum energizing time	150 ms
Encapsulation material	PP-V0 (self-extinguishing polypropylene)
Insulation class	A (105°C)
Ambient temperature	-10°C +60°C
Electric connections	DIN 46340 - 3 poles connectors (EN 175301-803)
Protection degree	IP 65 (EN 60529) with plug connector
Voltages	DC 6-12V (+10% -5%) (Other voltages on request)



OPEN VALVE



CLOSED VALVE

Port size	Orifice size (mm)	Differential pressure (bar)				Kv (m ³ /h)	Series and type		Power absorption			Sealings	Notes	Weight (kgs)	
		Δp min	Δp max		Valve		Coil	AC (VA)		DC (W)					
			Gases	Liquids				Inrush	Holding						
-	2,3	0	AC	DC	AC	DC	0,15	L160P03	ZA70A	-	-	6	EPDM	1	0,300

Notes

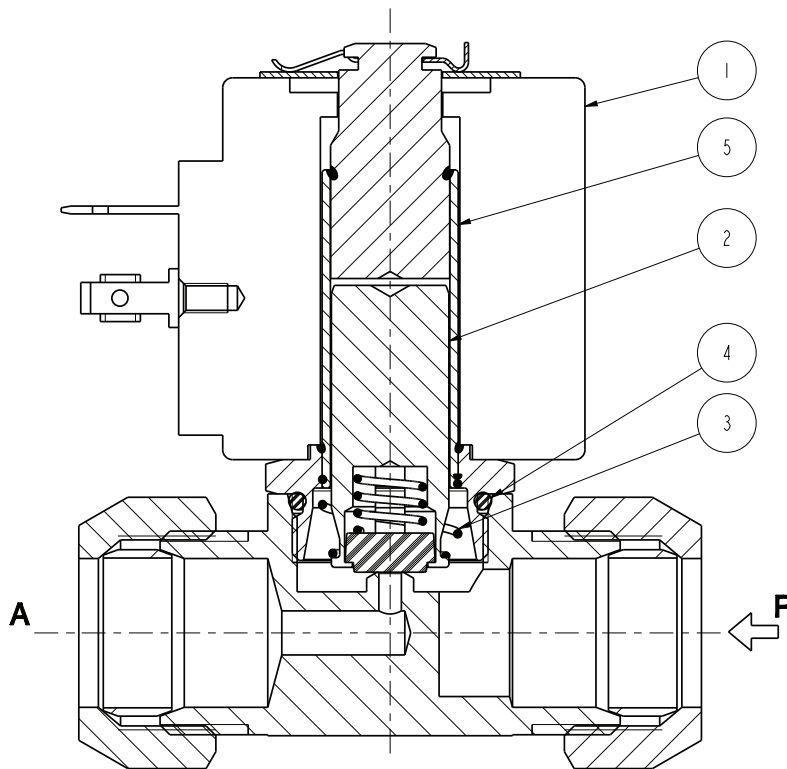
- Sealings: EPDM = Ethylene-propylene elastomer (WRAS/KTW approved)
- 1 - WRAS approved solenoid valve (certificate n. 1505051)

LATCHING MODEL

SERIES
L160-P03

ASCO™ SOLENOID VALVE
2/2 NORMALLY CLOSED – DIRECT ACTING

Spare Parts



Kit description	Kit P.N.	Consisting of:
Core kit	G3022808	Core pos. 2 Core return springs pos. 3 OR guide assembly pos. 4
Core return spring kit	G3022401	N.10 Core return springs pos. 3
Guide assembly kit	G31522	Guide assembly pos. 5 Coil clip
Coil	ZA70A	Coil pos. 1

Installation

- Solenoid valve can be mounted in any position; vertical with coil upwards preferred.

THE VALIDITY OF REPORTED DATA IS REFERRED TO THE DATE OF ISSUE. POSSIBLE UPDATES ARE AVAILABLE ON REQUEST