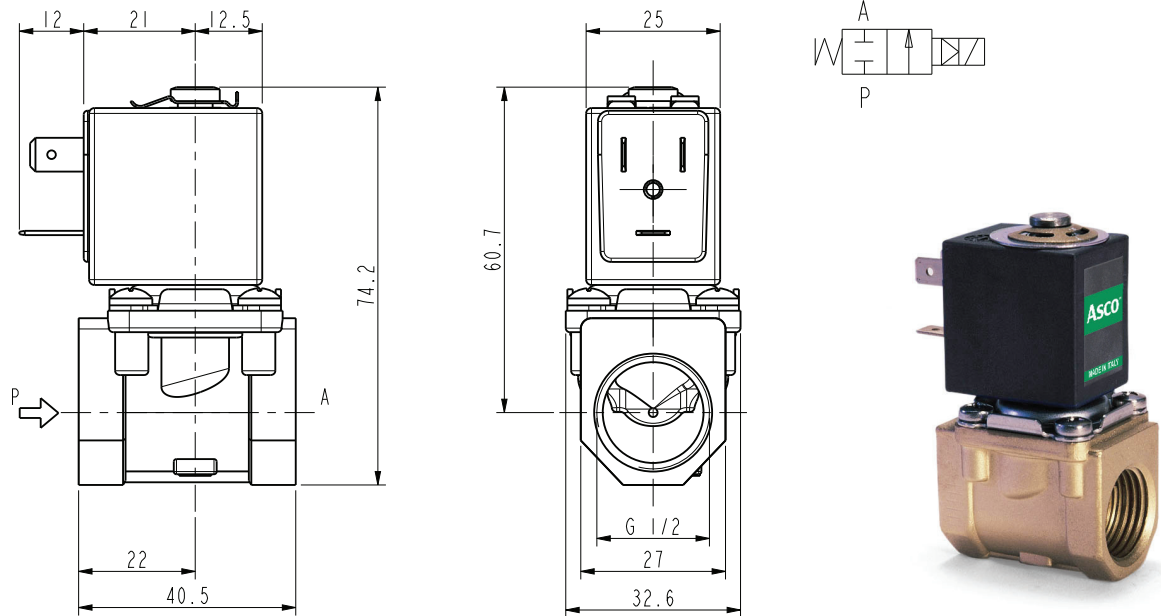


ASCO™ SOLENOID VALVE

2/2 NORMALLY CLOSED – PILOT OPERATED - G1/2

SERIES
L140



General Features

Diaphragm valve, pilot operated, having full orifice.
Suitable to shut off liquid and gaseous fluids (verify the compatibility of fluid with materials in contact).

Technical Features	
Maximum allowable pressure (PS)	16 bar
Opening time	~30ms
Closing time	~50ms
Fluid temperature	-10°C +90°C (NBR) 0°C +100°C (FPM) -10°C +100°C (EPDM)
Max viscosity	5°E (~37 cStokes or mm ² /s)

Materials in Contact with Fluid	
Body	Brass
Sealing	NBR or FPM or EPDM
Internal components	Stainless steel and POM (acetal copolymer)
Seat	Brass
Guide assembly	Stainless steel
Shading ring	Copper

Coil		
Continuous duty	ED 100%	
Encapsulation material	PET (polyethylene terephthalate) fiberglass reinforced	
Insulation class	F (155°C) on request class H (180°C) - UL	
Ambient temperature	-10°C +60°C	
Electric connections	DIN 46340 - 3 poles connectors	
Protection degree	IP 65 (EN 60529) with plug connector	
Voltages	AC	24V/50Hz - 110V/50Hz (120V/60Hz) 230V/50Hz (+10% -15%) (Other voltages and frequencies on request)

Port size ISO 228	Orifice size (mm)	Δp min	Differential pressure (bar)				Kv (m ³ /h)	Series and type		Power absorption			Sealings	Notes	Weight (kg)
			Δp max					Valve	Coil	AC (VA)		DC (W)			
			Gases		Liquids					Inrush	Holding				
G 1/2	10	0,35	AC	DC	AC	DC	1,5	L140B5	Z610A	16	10	-	NBR	1	0,270
			L140V5	EPDM											
			L140D05												

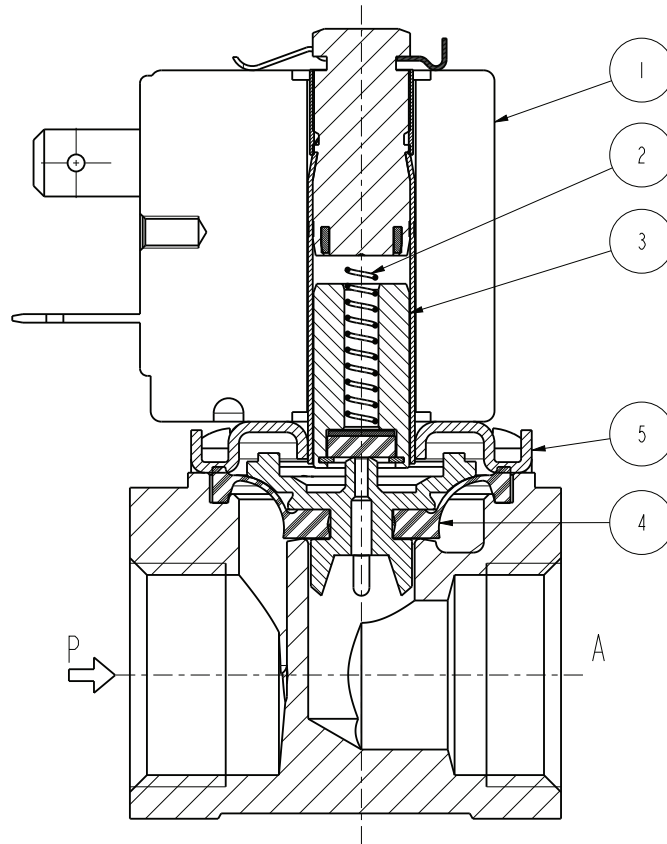
Notes

- Sealings : NBR = Nitrile-butylene elastomer FPM = Fluoro-carbon elastomer
EPDM = Ethylene-propylene elastomer (WRAS/KTW certified compound)
- Continuous changes of pressure may reduce the life of the diaphragm.
- 1 - The Δp max value is valid only for 50Hz; for operation at 60Hz, Δp max is 5 bar.

SERIES
L140

ASCO™ SOLENOID VALVE
2/2 NORMALLY CLOSED – PILOT OPERATED - G1/2

Spare Parts



Kit description	Model	Kit P.N.	Consisting of:
Core kit	L140B5	G2851701	Core pos. 3 Core return spring pos. 2
	L140V5	G2851702	
	L140D05	G2851704	
Core return spring kit		G2733901	N.10 Core return springs pos. 2
Diaphragm assembly	L140B5	2706503R	Diaphragm assembly pos. 4
	L140V5	2706504R	
	L140D05	2706507R	
Guide pipe assembly kit		G3152901	Guide pipe assembly pos. 5 Coil clip
Coil		Z610A	Coil pos. 1

Installation

- Solenoid valve can be mounted in any position; vertical with coil upwards preferred.

THE VALIDITY OF REPORTED DATA IS REFERRED TO THE DATE OF ISSUE. POSSIBLE UPDATES ARE AVAILABLE ON REQUEST